

TM-ZE300 41044507044A FRAME/HOOK-IN(AWL)

PB0000084-01 SYSTEM (ZE300SL,DOMESTIC)
ASSEMBLY

www.AutoEPC.com

ZE300SL,コクナイ
ZE300SL,DOMESTIC

- 1 パワー テイク オフ & ポンプ
POWER TAKE OFF & PUMP
- 2 フレーム ユニット (1)
FRAME UNIT (1)
- 3 フレーム ユニット (2)
FRAME UNIT (2)
- 4 メイパ ン
INDICATION PLATES
- 5 リモート コントロール システム
REMOTE CONTROL SYSTEM
- 6 トクベ ッ ショウ (TMキョウツウ)
OPTIONS (TM COMMON)
- 7 トクベ ッ ショウ (ZE300SL)
OPTIONS (ZE300SL)

注意：①適用製造番号によっては取り付けがないものもあります。

②オプションの部品選定時には「製品本体」をご確認して頂き、取り付けされている仕様を確認し、部品検索をお願い致します。

NOTE:①MACHINES OF SOME SERIAL NO.ARE NOT EQUIPPED WITH THESE PARTS.

②WHEN SELECTING OPTION PARTS, CHECK THE ACTUAL PRODUCT BEFOREHAND TO MAKE SURE THE SPEC OF THE INSTALLED PRODUCT, AND THEN SEARCH THE PARTS.

TM-ZE300 41044507044A FRAME/HOOK-IN(AWL)

Pos No.	Parts No	Parts Name	Qty	Unit	Technical Data	Serial No (Star
1	(*****)	POWER TAKE OFF & PUMP	1			
2	(*****)	FRAME UNIT (1)	1			
3	(*****)	FRAME UNIT (2)	1			
4	(*****)	INDICATION PLATES	1			
5	(*****)	REMOTE CONTROL SYSTEM	1			
6	(*****)	OPTIONS (TM COMMON)	1			
7	(*****)	OPTIONS (ZE300SL)	1			

www.AutoEPC.com

TM-ZE300 41044507044A FRAME/HOOK-IN(AWL)

PB1020002-00 POWER TAKE OFF ASSY (SELECTION)
PB1020018-00 PUMP ASSY (SELECTION)
PB1030015-02 POWER TAKE OFF
PB1030036-01 POWER TAKE OFF
PB1030066-02 POWER TAKE OFF
PB1030091-01 POWER TAKE OFF
PB1030093-01 POWER TAKE OFF
PB1030103-04 POWER TAKE OFF
PB1030104-01 POWER TAKE OFF
PB1030111-00 POWER TAKE OFF
PB1030112-00 POWER TAKE OFF
PB1030114-03 POWER TAKE OFF
PB1030115-00 POWER TAKE OFF
PB1030118-02 POWER TAKE OFF
PB1030122-01 POWER TAKE OFF
PB1030125-01 POWER TAKE OFF
PB1030127-01 POWER TAKE OFF
PB1030128-01 POWER TAKE OFF
PB1030135-02 POWER TAKE OFF
PB1030136-02 POWER TAKE OFF
PB1030137-02 POWER TAKE OFF
PB1030138-01 POWER TAKE OFF
PB1030142-02 POWER TAKE OFF
PB1030145-02 POWER TAKE OFF
PB1030146-01 POWER TAKE OFF
PB1030147-02 POWER TAKE OFF
PB1030157-01 POWER TAKE OFF
PB1030159-01 POWER TAKE OFF
PB1030175-01 POWER TAKE OFF
PB1030186-02 POWER TAKE OFF
PB1030189-02 POWER TAKE OFF
PB1030208-01 POWER TAKE OFF
PB1030213-00 POWER TAKE OFF
PB1030233-00 POWER TAKE OFF
PB1030234-00 POWER TAKE OFF
PB1030235-00 POWER TAKE OFF
PB1030236-00 POWER TAKE OFF
PB1100099-00 PUMP, HYDRAULIC (LEFT, SPLINE 13)
PB1100144-02 PUMP, HYDRAULIC
PB1130196-01 TANK, OIL (MOUNT)
PB1130198-01 TANK, OIL
PB1290011-00 STOPPER, ROTARY JOINT
PB1300315-01 JOINT, ROTARY
PB1300484-01 JOINT, ROTARY
PB1300513-00 JOINT, ROTARY
PB1320631-00 VALVE, MANUAL CONTROL
PB1380052-00 POWER SUPPLY
PB1380319-01 POWER SUPPLY (SERVICE PORT)
PB1380332-02 POWER SUPPLY (100V POWER SOURCE/1500W)
PB1400439-01 PIPING, UPPER
PB1411919-02 PIPING, LOWER (JOINT FOR RETURN FILTER)
PB1411920-02 PIPING, LOWER
PB1411928-00 PIPING, LOWER (FOR LOAD METER)
PB1910176-02 PIPING (WITH CARRYOVER, W/O CARRY OVER)
PB1910178-01 PIPING (OPT. VALVE-MAIN VALVE)
PB1910181-00 PIPING (WINCHLESS/PLUG: CARRYOVER VALVE)
PB1910183-01 PIPING
PB1910207-00 PIPING (VALVE)
PB2000050-00 POWER TAKE OFF & PUMP
PB5280002-00 BOX, OPERATION
PC1011339-01 OUTRIGGER (L=471, CASE: L=1892/FOR 4TON)
PC1011356-01 OUTRIGGER (L=601, MIN=1440/FOR 7TON)
PC1011382-01 OUTRIGGER (L=471, CASE: L=1892)
PC1011383-01 OUTRIGGER (L=601, CASE: L=2022)
PC1020094-00 OUTRIGGER, REAR (ROTARY/POWER PACKAGE: WITH LOCK ASSY)
PC1020095-01 OUTRIGGER, REAR (FRAME)
PC1020097-00 OUTRIGGER, REAR (ROTARY/SOLENOID VALVE)
PC1030214-03 CYLINDER, JACK (MIN=1440)
PC1030301-02 CYLINDER, JACK (REAR OUTRIGGER)
PC1100146-05 OPE. ASSY, OUTRIGGER
PC1200598-00 PIPING, OUTRIGGER
PC1200599-00 PIPING, OUTRIGGER
PC1230021-03 PIPING, REAR JACK (2, ROTARY)
PC1230061-00 PIPING, REAR JACK (1)
PC1230062-01 PIPING, REAR JACK (1)

TM-ZE300 41044507044A FRAME/HOOK-IN(AWL)

PC6390047-01 CYLINDER ASSY,JACK
PD1010172-00 REDUCER,SWING SPEED
PD1020069-00 SWING UNIT
PD5020009-00 DERRICK ASSY
PD5080030-00 DETECTOR ASSY,LENGTH (BOOM)
PE1010493-02 CYLINDER ASSY,DERRICK
PE5020035-00 ELEC.ASSY (WARKING LAMP:2-LIGHT INSTALLATION)
PE5020078-01 ELEC.ASSY
PE5020089-01 ELEC.ASSY (FRAME SWITCH)
PE5020090-00 ELEC.ASSY (POST/DETECTOR ASSY,MOMENT)
PE5020091-00 ELEC.ASSY (BOOM ELEVATING STOWING SW)
PE5020092-00 ELEC.ASSY (DETECTOR ASSY,LENGTH CORD)
PE5020093-00 ELEC.ASSY (FRAME/RELAY BOX)
PE5020132-00 ELEC.ASSY (POST)
PE5020133-01 ELEC.ASSY (LAMP)
PE5020296-00 ELEC.ASSY (BOOM/LED LAMP)
PE5020538-00 ELEC.ASSY (FRAME BRANCH WIRING ADDED)
PE5020561-00 ELEC.ASSY (OVER-UNWINDING CUTOUT DEVICE/HR)
PE5020562-00 ELEC.ASSY
PF1010167-01 WINCH (HARTYS)
PF1010207-00 WINCH (HARTYS)
PF1010237-00 WINCH (OOKUBO)
PF1010242-01 WINCH (YG.TEC)
PF1010380-00 WINCH (SELF,3TX1:SR)
PF1010381-00 WINCH (SELF,3TX1:SR+REAR OUTRIGGER)
PF1010382-00 WINCH (SELF,3TX1:FR)
PF1010383-01 WINCH (SELF,3TX1:FR/WINCHLESS)
PF1010384-00 WINCH (SELF,3TX1:FR+REAR OUTRIGGER)
PF1020004-01 DRUM,WINCH
PF1020035-00 DRUM,WINCH
PF1050161-03 HOOK (1-PART LINE ,OPTION)
PF1050338-01 HOOK (SELF, 3TONX1-PART LINE)
PF1050342-01 HOOK (SELF, 3TONX2-PART LINE)
PF1050425-02 HOOK (LOCKING)
PF1050447-00 HOOK
PF1050464-00 HOOK (1-PART LINE)
PF1050540-02 HOOK (5TON)
PF1050549-01 HOOK (0.49T)
PF1070033-00 ROPE,WIRE (KISWIRE)
PF1080171-00 SUPPORT (PANEL)
PF1080286-01 SUPPORT
PF1080287-00 SUPPORT
PF1160071-01 OPE.ASSY,CLUTCH
PF1180084-01 DETECTOR,DISORDERLY WIND
PF1180089-00 DETECTOR,DISORDERLY WIND
PF1200436-01 PIPING,WINCH
PF1260034-00 INDICATOR,DRUM
PF1400303-03 MOUNT,WINCH
PF1400322-00 MOUNT,WINCH (3T SELF)
PG1020005-00 GUIDE,ROPE (RETAINING WIRE ROPE)
PG1020006-00 GUIDE,ROPE
PH1010008-00 DETECTOR,LOAD
PH1060338-00 DETECTOR,OVER WINDING
PH1060491-00 DETECTOR,OVERWIND
PH5030529-00 HARNESS
PH5030652-00 HARNESS
PH5030655-00 HARNESS
PH5030657-00 HARNESS
PH5030658-00 HARNESS
PH5030666-00 HARNESS
PH5030675-00 HARNESS
PH5030787-00 HARNESS
PH5030789-00 HARNESS
PH5030790-00 HARNESS
PH5030791-00 HARNESS
PH5030792-00 HARNESS
PH5030793-00 HARNESS
PH5030797-00 HARNESS
PH5030816-00 HARNESS
PH5030817-00 HARNESS
PH5030818-00 HARNESS
PH5031206-00 HARNESS
PI1010085-01 MOTOR,HYDRAULIC
PI1010152-00 MOTOR,HYDRAULIC (WINCH)
PI1010223-00 MOTOR,HYDRAULIC

TM-ZE300 41044507044A FRAME/HOOK-IN(AWL)

PI1120142-01 VALVE,SOLENOID
PI1160047-00 VALVE,FLOW CONTROL
PI1250160-00 VALVE,COUNTERBALANCE
PI1280051-00 VALVE,PILOT CHECK
PI1280067-00 VALVE,PILOT CHECK
PI1300061-02 FILTER,OIL (YAMASHIN)
PI1440013-00 METER,LOAD (2.9TON KUSABA/JAPANESE)
PI1440014-00 METER,LOAD (2.9TON NAGANO/JAPANESE)
PI1440037-00 METER,LOAD (BOTH SIDE)
PJ3410032-01 LOCK ASSY
PJ3410034-01 LOCK ASSY
PJ5080020-00 JOINT ASSY
PK1011359-03 FRAME
PK1100466-01 SWING FRAME
PK1330374-00 COVER (POST)
PK1330375-00 COVER (SWING)
PK1330382-01 COVER (SWITCH PANEL)
PK1330402-00 COVER (O/R HARNESS PROTECT)
PK2000938-00 FRAME UNIT (1)
PK2001369-00 FRAME UNIT (2)
PL1011155-00 OPE.ASSY,CONT.VALVE
PL1011156-00 OPE.ASSY,CONT.VALVE
PL1011157-00 OPE.ASSY,CONT.VALVE
PL1011180-00 OPE.ASSY,CONT.VALVE
PL1011223-00 OPE.ASSY,CONT.VALVE
PL1031152-01 OPE.ASSY,ACCELERATOR
PL5020025-00 LAMP ASSY (ALARM/RED)
PL5020033-00 LAMP ASSY(HEIGHT LIMIT/ OVERLOADING WARNING:JR TOUKAI)
PL5020046-00 LAMP ASSY (LED19W BOOM WORKING)
PL5020069-00 LAMP ASSY (LED19W BOOM WORKING: W/O SAFETY DEVICES)
PL5250017-01 LINK ASSY(PREVENTION OF WIRE LOSER/ZE3047H,305H)
PL5330004-00 LAMP
PL5330009-00 LAMP
PN1014534-00 ELEC.ASSY (CONTROL UNIT)
PN1014535-00 ELEC.ASSY (ANTENNA UNIT)
PN1014569-02 ELEC.ASSY (BOOM/DETECTOR ASSY)
PN1014571-01 ELEC.ASSY (BOOM/DETECTOR ASSY)
PN1014572-00 ELEC.ASSY (BOOM/DETECTOR ASSY)
PN1014576-01 ELEC.ASSY (PULG FOR ANTENNA UNIT)
PN1014581-02 ELEC.ASSY (FRAME/SAFETY DEVICES)
PN1014582-02 ELEC.ASSY (POST/SAFETY DEVICES)
PN1014610-00 ELEC.ASSY (PANEL SWICH)
PN1014612-00 ELEC.ASSY (SWITCH.PLUG/FRAME)
PN1014617-02 ELEC.ASSY (FRAME SWITCH)
PN1014675-01 ELEC.ASSY (PLUG:FRAME/INTERLOCK)
PN1014676-02 ELEC.ASSY (PLUG:POST/BOOM ELEV.STOWING)
PN1014685-02 ELEC.ASSY
PN1014686-03 ELEC.ASSY (LOWER)
PN1014687-01 ELEC.ASSY (UPPER/WORKING LAMP)
PN1014690-03 ELEC.ASSY (CARRIER)
PN1014691-00 ELEC.ASSY (BOOM)
PN1014692-03 ELEC.ASSY (CARRIER)
PN1014693-03 ELEC.ASSY (CARRIER/ALARM)
PN1014694-03 ELEC.ASSY (B00M ELEVATING/FRAME)
PN1014701-01 ELEC.ASSY (JACK INTERLOCK)
PN1014707-00 ELEC.ASSY (CN99/PLUG)
PN1014714-01 ELEC.ASSY (EMERGENCY SWITCH)
PN1014715-02 ELEC.ASSY (FOR REAR OUTRIGGER)
PN1014717-01 ELEC.ASSY (HARNESS FOR SR)
PN1014718-02 ELEC.ASSY
PN1014756-02 ELEC.ASSY (FRAME)
PN1014758-02 ELEC.ASSY (LAMP)
PN1014761-00 ELEC.ASSY (CONNECTED HARNESS)
PN1014770-02 ELEC.ASSY
PN1014848-01 ELEC.ASSY (CARRIER)
PN1014849-00 ELEC.ASSY (VALVE)
PN1014851-01 ELEC.ASSY (FRAME)
PN1014860-00 ELEC.ASSY (PLUG FOR O/R PRES.DETECTOR)
PN1014903-00 ELEC.ASSY (EMERGENCY SWITCH/BOTH SIDE)
PN1014910-01 ELEC.ASSY (OUTRIGGER)
PN1015031-00 ELEC.ASSY (POST/RELAY BOX)
PN1015036-00 ELEC.ASSY (UPPER)
PN1080401-02 LAMP (45W BOOM WORKING)
PN1080411-02 LAMP (O/R ALARM:RIGHT SIDE PANEL)
PN1080428-01 LAMP (TWIN PUMP INDICATOR)

TM-ZE300 41044507044A FRAME/HOOK-IN(AWL)

PN1080429-01 LAMP (45W BOOM WORKING:NAVI & SAFETY DEVICES)
PN1080445-00 LAMP (60W POST WORKING)
PN1080446-00 LAMP (60W POST WORKING:NAVI & SAFETY DEVICES)
PN1080447-00 LAMP (HEIGHT LIMIT/ OVERLOADING WARNING)
PN1140160-00 SWITCH ASSY (PLATING:NACC)
PN1140198-00 SWITCH ASSY (PANASONIC)
PN1140200-00 SWITCH ASSY (GREEN: PANASONIC)
PN1140201-00 SWITCH ASSY (WITH HARNESS:PLATING/NACC)
PN1140202-00 SWITCH ASSY (PLATING:NACC)
PN1140208-01 SWITCH ASSY (WITH HARNESS/PANASONIC)
PN1140234-00 SWITCH ASSY (PLATING:NACC)
PN1140235-00 SWITCH ASSY (GREEN: PANASONIC)
PN1140239-00 SWITCH ASSY (WITH HARNESS, 2-SW)
PN1420020-00 CHARGER, BATTERY
PN5010186-01 NAME PLATE ASSY
PN5010187-02 NAME PLATE ASSY (OIL THERMO LABEL)
PN5010192-01 NAME PLATE ASSY
PN5010193-00 NAME PLATE ASSY (BOOM & CONTROL UNIT PANEL)
PN5010239-00 NAME PLATE ASSY
PN5010279-00 NAME PLATE ASSY
PN5010280-01 NAME PLATE ASSY (PANEL)
PO1000151-00 INDICATION PLATES
PO1012473-02 PLATE ASSY, NAME (HOOK)
PO1013040-03 PLATE ASSY, NAME (1-PART LINE OPE.)
PO1014584-01 PLATE ASSY, NAME (BOOM, ELEV. STOWING FAILURE)
PO1014592-01 PLATE ASSY, NAME
PO1014946-00 PLATE ASSY, NAME (POST)
PO1014948-02 PLATE ASSY, NAME (OIL)
PO1015072-01 PLATE ASSY, NAME (CAUTION, CONT., HOOK)
PO1015086-01 PLATE ASSY, NAME
PO1015087-01 PLATE ASSY, NAME
PO1015093-02 PLATE ASSY, NAME (INTERLOCK)
PO1015094-01 PLATE ASSY, NAME
PO1015095-01 PLATE ASSY, NAME (WINCH CONTROL)
PO1015096-01 PLATE ASSY, NAME (BOOM INTERLOCK)
PO1015103-01 PLATE ASSY, NAME (SL WINCH)
PO1015106-02 PLATE ASSY, NAME (REAR OUTRIGGER)
PO1015288-01 PLATE ASSY, NAME (SILENT ECO)
PO1015315-01 PLATE ASSY, NAME (SWITCH, BOX)
PO1015572-00 PLATE ASSY, NAME (BOOM)
PO1070818-01 PERFORMANCE DATA (304SL/A)
PO1070819-01 PERFORMANCE DATA (304SL/B)
PO1070820-01 PERFORMANCE DATA (304SL/C)
PO5270006-02 OUTRIGGER ASSY (LEFT/CASE:L=2022, MIN=1440)
PO5270007-02 OUTRIGGER ASSY (RIGHT/CASE:L=2022, MIN=1440)
PO5270016-02 OUTRIGGER ASSY (LEFT/CASE:L=1892, MIN=1440)
PO5270017-02 OUTRIGGER ASSY (RIGHT/CASE:L=1892, MIN=1440)
PP5060001-00 PARTS ASSY, AWL (3, 4 SECT. WITHOUT BOOM INTERLOCK)
PP5060002-00 PARTS ASSY, AWL (5 SECT. WITHOUT BOOM INTERLOCK)
PP5060003-00 PARTS ASSY, AWL (6 SECT. WITHOUT BOOM INTERLOCK)
PP5060004-00 PARTS ASSY, AWL (3, 4 SECT. WITH BOOM INTERLOCK)
PP5060005-00 PARTS ASSY, AWL (5 SECT. WITH BOOM INTERLOCK)
PP5060006-00 PARTS ASSY, AWL (6 SECT. WITH BOOM INTERLOCK)
PP5070010-00 PARTS ASSY, BML (SAFETY DEVICES)
PP5150012-00 PARTS ASSY, RADIO CONTROLLER (8CH)
PP5420003-01 PUMP ASSY, OIL (2-BLOCK)
PP6010052-00 PIPING ASSY
PR5130003-00 RING ASSY, SLIP (CJ NUMBER OF THE ELECTRODES KIT)
PV1000075-02 REMOTE CONTROL SYSTEM
PV1020359-01 VALVE, REMOTE CONTROL (MAIN)
PV1020372-00 VALVE, REMOTE CONTROL
PV1020383-00 VALVE, REMOTE CONTROL
PV1020385-00 VALVE, REMOTE CONTROL
PV1040112-01 CONTROL UNIT
PV1050013-01 CYLINDER, ACCELERATOR
PV1070522-01 RADIO CONTROL (RADICON-LESS)
PV1070529-01 RADIO CONTROL (WITHOUT BOOM INTERLOCK)
PV1070530-02 RADIO CONTROL
PV1070550-01 RADIO CONTROL (U-LAYOUT/WITHOUT BOOM INTERLOCK)
PV1070551-02 RADIO CONTROL (U-LAYOUT)
PV1250013-00 BOX, STOWING
PW1050011-00 STOPPER, TIRE
PW5060005-01 WINCH ASSY (Y.G.TEC)
PX1940331-00 MOUNT (ACCELERATOR/MECHANICAL GOVERNOR)
PX1940348-01 MOUNT (SILENT ECO:TWIN PUMP)

TM-ZE300 41044507044A FRAME/HOOK-IN(AWL)

PY1001309-06 OPTIONS (TM COMMON)
PY1130031-00 INTERLOCK (JACK)
PY1130034-01 INTERLOCK (BOOM/WITH IMMOBILIZER)
PY1560057-02 ALARM SYSTEM (BOOM INTERLOCK+BOOM STOWING FAILURE)
PY1560058-02 ALARM SYSTEM (BOOM.O/R STOWING FAILURE:W/O INTERLOCK)
PY1560059-02 ALARM SYSTEM (BOOM STOWING FAILURE: W/OBOOM INTERLOCK)
PY1560061-03 ALARM SYSTEM (BOOM STOWING FAILURE)
PY1560062-02 ALARM SYSTEM (BOOM INTERLOCK+BOOM.O/R STOWING FAILURE)
PY1560082-02 ALARM SYSTEM (OUTRIGGER STOWING FAILURE)
PY1560084-01 ALARM SYSTEM (BOOM,O/R STOWING FAILURE)
PY1560085-00 ALARM SYSTEM (O/R STOWING FAILURE ADDITONAL PARTS)
PY2000193-00 OPTIONS (ZE300SL)
PY2340011-00 PLATE (355X355,H=80)
PY5020049-00 ACCESSORIES ASSY (RADIO CONTROL SW)
PY5170005-00 ALARM ASSY (OIL)
PZ0000000-00 DETECTOR ASSY,LENGTH (BOOM)

www.AutoEPC.com

- POWER TAKE OFF ASSY
- PTO ASSYの選定

指示番号 key No	CARRIER MAKER キャリア メーカー
1	MITSUBISHI ミツビシ
2	HINO ヒノ
3	ISUZU イズズ
4	NISSAN ニッサン

[NOTE]

- (1) SOME TYPES OF THE CARRIER ARE EQUIPPED WITH THE MANUFACTURER'S GENUINE POWER TAKE OFF.
- (2) POWER TAKE OFF FOR EXPORT IS SUPPLIED FROM THE CARRIER MANUFACTURE.

[注 意]

- (1) PTO ASSYは車種によってメーカー純正品があります。
- (2) 海外向けのPTO ASSYは、車両メーカー品です。

TM-ZE300 41044507044A FRAME/HOOK-IN(AWL)

Pos No.	Parts No	Parts Name	Qty	Unit	Technical Data	Serial No (Start)	Serial No (End)	
1	31790810000	POWER TAKE OFF	1					
	31791000000	POWER TAKE OFF	1					
	31790780000	POWER TAKE OFF	1					
	31790770000	POWER TAKE OFF	1					
	31791970000	POWER TAKE OFF	1					
	36400940000	POWER TAKE OFF	1					
	36401040000	POWER TAKE OFF	1					
	36400950000	POWER TAKE OFF	1					
	31792370000	POWER TAKE OFF	1					
	31792360000	POWER TAKE OFF	1					
	31792380000	POWER TAKE OFF	1					
	2	31791060000	POWER TAKE OFF	1				
		31790930000	POWER TAKE OFF	1				
		31790960000	POWER TAKE OFF	1				
		31792050000	POWER TAKE OFF	1				
		31792040000	POWER TAKE OFF	1				
		31790940000	POWER TAKE OFF	1				
		31790690000	POWER TAKE OFF	1				
		31790920000	POWER TAKE OFF	1				
31791300000		POWER TAKE OFF	1					
31791140000		POWER TAKE OFF	1					
31791650000		POWER TAKE OFF	1					
3	31791240000	POWER TAKE OFF	1					
	31791270000	POWER TAKE OFF	1					
	31790980000	POWER TAKE OFF	1					
	31791020000	POWER TAKE OFF	1					
	31790910000	POWER TAKE OFF	1					
4	31792010000	POWER TAKE OFF	1					
	31790840000	POWER TAKE OFF	1					
	31791950000	POWER TAKE OFF	1					
	31790850000	POWER TAKE OFF	1					
	31790740000	POWER TAKE OFF	1					
	31790830000	POWER TAKE OFF	1					
	31790750000	POWER TAKE OFF	1					

TM-ZE300 41044507044A FRAME/HOOK-IN(AWL)
PB1020018-00 PUMP ASSY (SELECTION)

- PUMP ASSY
- ポンプASSYの選定

TRANSMISSION 変速機	key No. 指示番号	PUMP MODEL ポンプ型式番号	RUNNING DIRECTION 回転方向
MISSION CARRIER ミッション車	1	SGP2-52D2H9-L226	COUNTERCLOCKWISE 左
A/T CARRIER AT車	2	SGP1-36D2H9-L580	COUNTERCLOCKWISE 左
OPTION, TWIN:PUMP オプション, 2連ポンプ	3	SD-3632G2H9-L700	COUNTERCLOCKWISE 左

[NOTE]

- (1) PUMP MODEL NOS. ARE PUNCHED ON PUMP NAMEPLATE.
- (2) THE PUMP RUNNING DIRECTION IS VIEWED FROM THE SHAFT TOWARD THE PUMP.

[注 意]

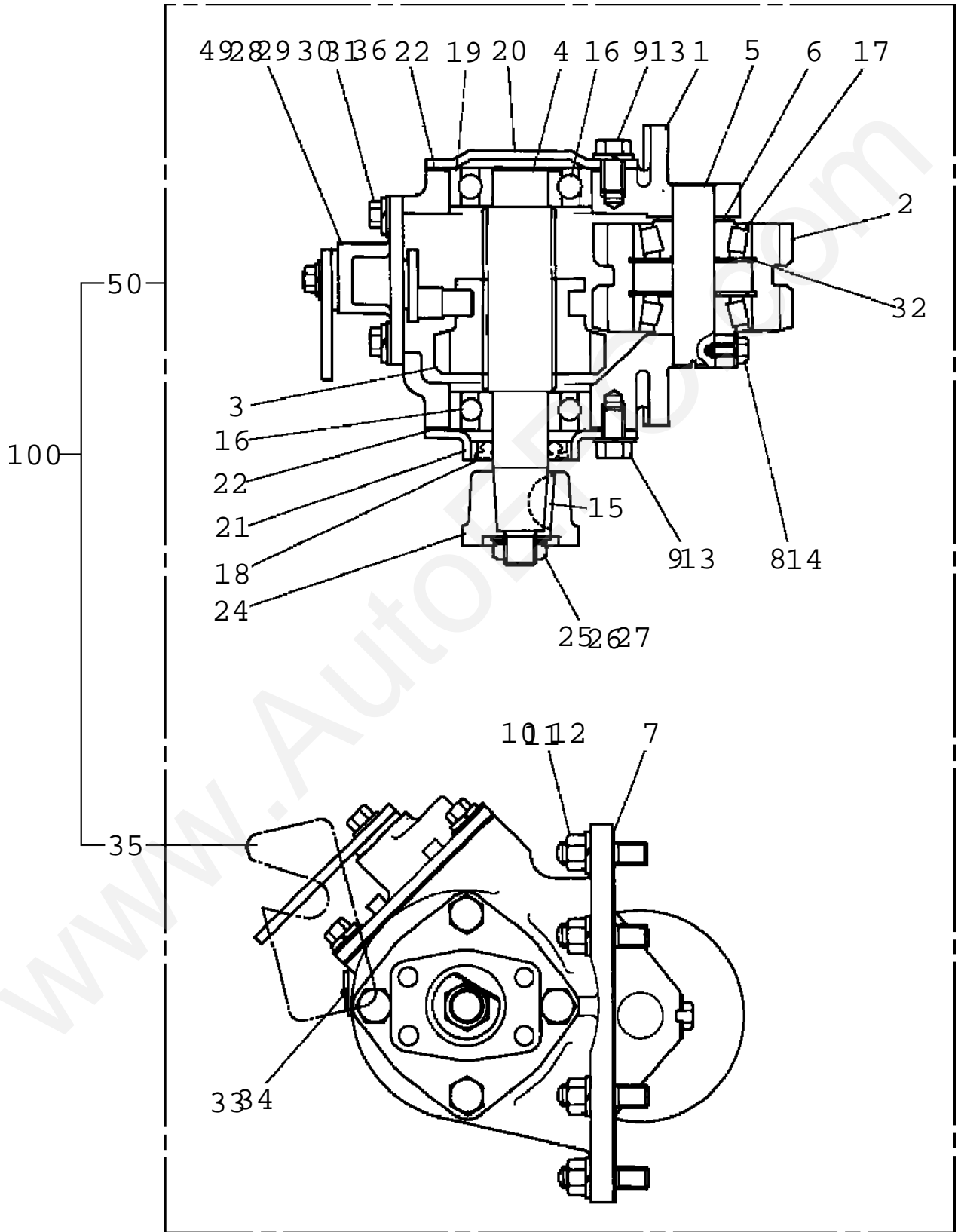
- (1) ポンプ型式番号はポンプ本体の銘板に打刻しています。
- (2) ポンプの回転方向はポンプの軸端から見ての回転方向です。

TM-ZE300 41044507044A FRAME/HOOK-IN(AWL)

Pos No.	Parts No	Parts Name	Qty	Unit	Technical Data	Serial
1	36653330000	PUMP, HYDRAULIC	1			
2	36652900000	PUMP, HYDRAULIC (LEFT, SPLINE 13)	1			
3	36654640000	PUMP ASSY, OIL (2-BLOCK)	1			

www.AutoEPC.com

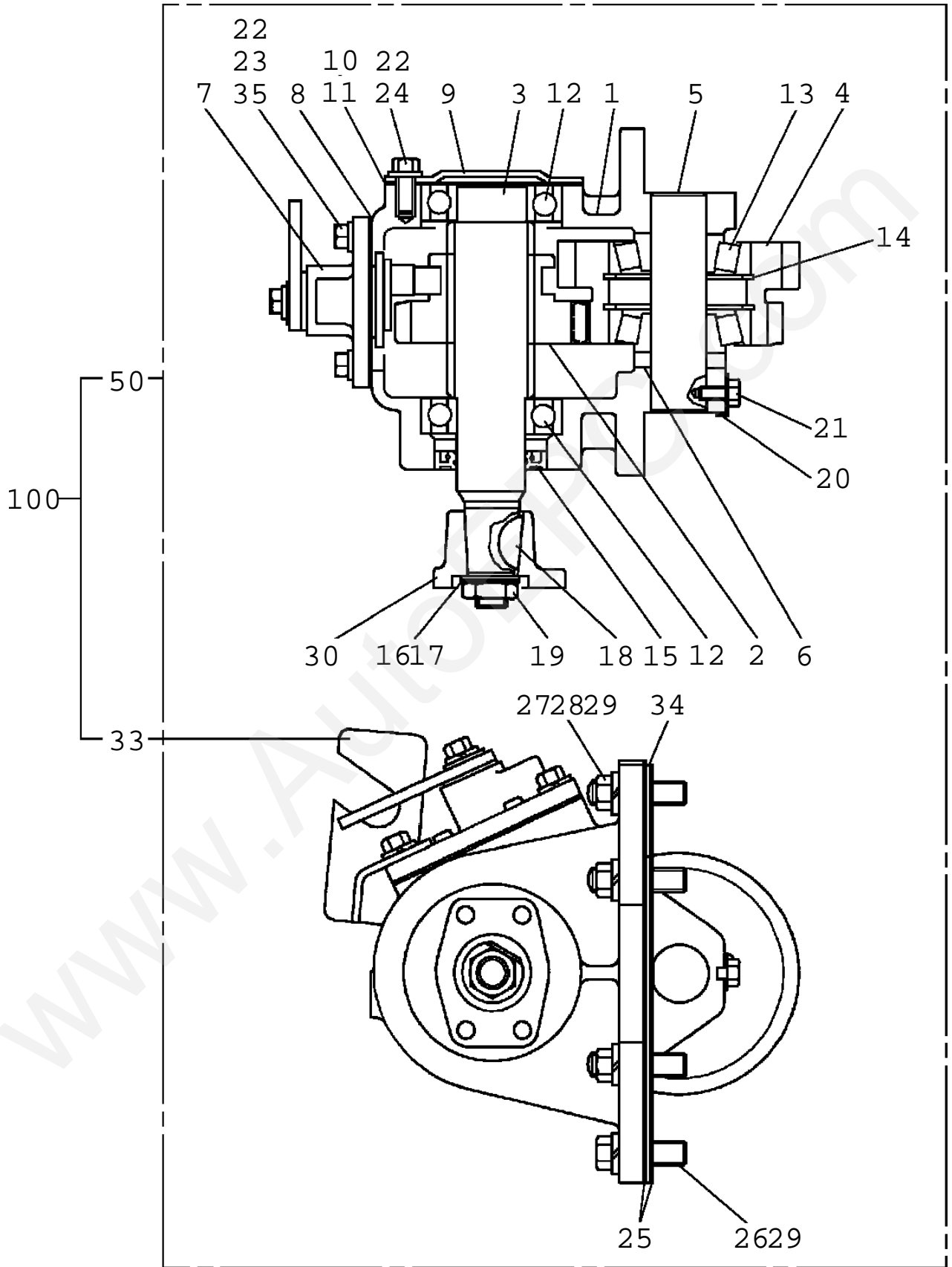
TM-ZE300 41044507044A FRAME/HOOK-IN(AWL)
PB1030015-02 POWER TAKE OFF



TM-ZE300 41044507044A FRAME/HOOK-IN(AWL)

Pos No.	Parts No	Parts Name	Qty	Unit	Technical Data	Serial No (Start)	Serial No (End)
1	36400235010	CASE	1				
2	36400235020	GEAR	1				
3	36400235030	GEAR	1				
4	36400235040	SHAFT	1				
5	36400095040	SHAFT	1				
6	36400095050	COLLAR	1				
7	36400215080	PACKING (CASE)	1				
8	90101206012	BOLT	1		M6X12		
9	90191210016	BOLT	8		M10X16		
10	36400295010	BOLT	6				
11	90267201000	NUT	6		M10		
12	90302041001	WASHER,SPRING	14		10		
14	36400095130	WASHER	1				
15	36400135100	KEY	1				
16	80500006305	BEARING,BALL	2				
17	36400095120	BEARING	2				
18	91206025005	SEAL,OIL	1				
19	36400095090	SHIM	N				
20	36400235050	COVER (FRONT)	1				
21	36400235060	COVER (REAR)	1				
22	36400235070	PACKING	2				
24	36400135120	COUPLING	1				
25	36400135150	NUT	1		M4X1.5		
26	36400135090	WASHER	1				
27	36400135160	WASHER,PLAIN	1				
28	36400225110	SHIFTER SET	1				
29	36400095110	PACKING	1				
30	90191208020	BOLT	4		M8X20		
32	80602110520	RING,RITAINING	2		R52		
33	36400295020	PLATE,NAME	1				
35	31790670100	SUPPORT	1				
36	90191208025	BOLT	2		M8X25		
49	36400225160	SEAL,OIL	1				
50	36400290000	POWER TAKE OFF	1				
100	31790690000	POWER TAKE OFF	1				

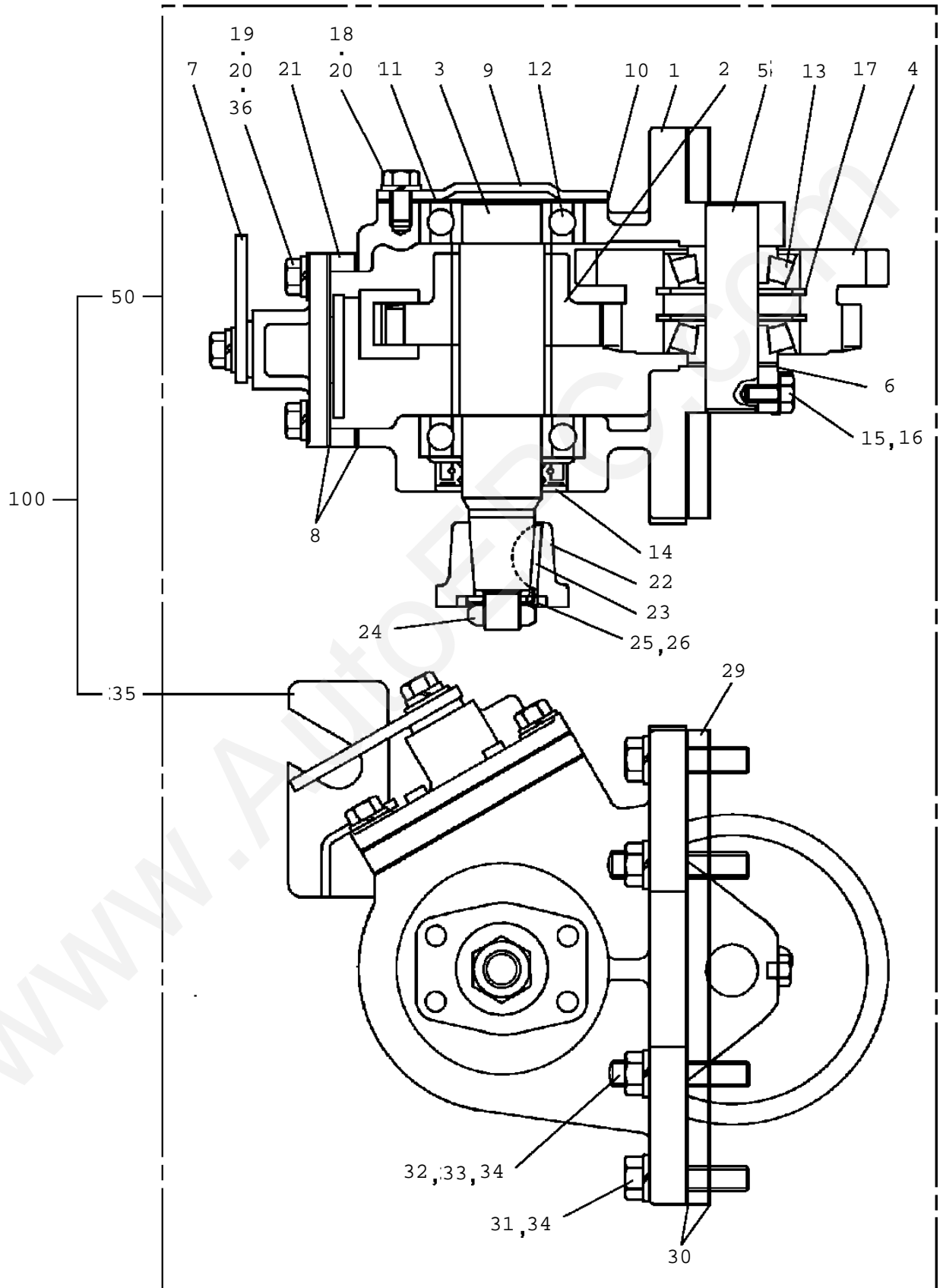
TM-ZE300 41044507044A FRAME/HOOK-IN(AWL)
PB1030036-01 POWER TAKE OFF



TM-ZE300 41044507044A FRAME/HOOK-IN(AWL)

Pos No.	Parts No	Parts Name	Qty	Unit	Technical Data	Serial No (Start)	Ser
1	36400135010	CASE	1				
2	36400135020	GEAR	1				
3	36400135030	SHAFT	1				
4	36400135040	GEAR	1				
5	36400135050	SHAFT	1				
6	36400135060	COLLAR	1				
7	36400095100	SHIFTER ASSY	1				
8	36400095110	PACKING	1				
9	36400095070	COVER (BEARING)	1				
10	36400095080	PACKING (COVER)	1				
11	36400095090	SHIM	N				
12	80500006206	BEARING,BALL	2				
13	36400135070	BEARING	2				
14	80602110620	RING,RITAINING	2		R62		
15	91206030005	SEAL,OIL	1				
16	36400135160	WASHER,PLAIN	1				
17	36400135090	WASHER	1				
18	36400135100	KEY	1				
19	36400135150	NUT	1		M4X1.5		
20	36400135110	WASHER	1				
21	90101206012	BOLT	1		M6X12		
22	90302040801	WASHER,SPRING	7		8		
23	90191208020	BOLT	4		M8X20		
24	90191208015	BOLT	3		M8X15		
25	36400095140	PACKING (CASE)	2				
26	90191210030	BOLT	2		M10X30		
27	36400095150	BOLT,STUD	6		M10X1.25/1.5X43		
28	90267201000	NUT	6		M10		
29	90302041001	WASHER,SPRING	8		10		
30	36400135120	COUPLING	1				
33	31790670100	SUPPORT	1				
34	36400135140	SPACER	1				
35	90191208025	BOLT	2		M8X25		
50	36400130000	POWER TAKE OFF	1				
100	31791650000	POWER TAKE OFF	1				

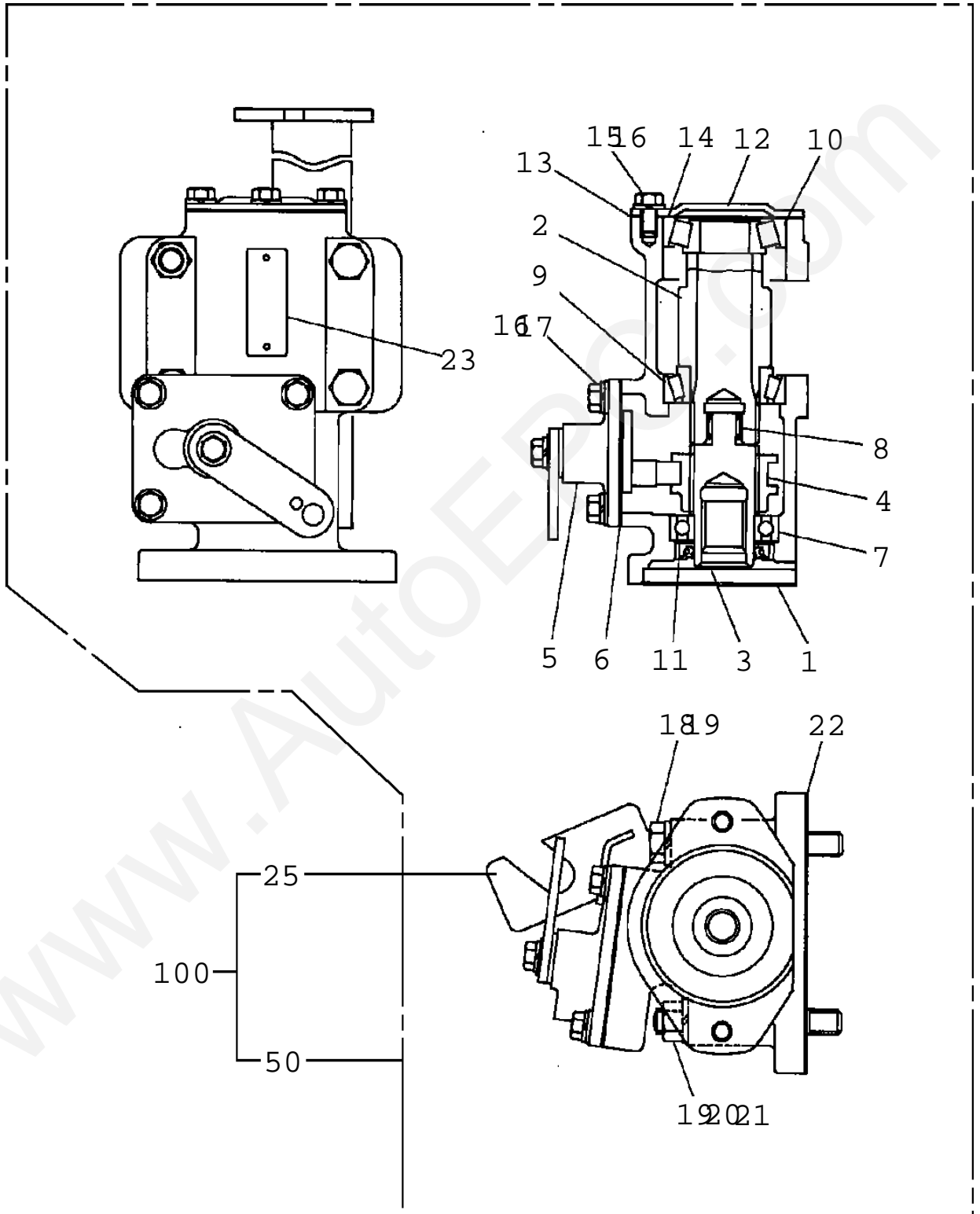
TM-ZE300 41044507044A FRAME/HOOK-IN(AWL)
PB1030066-02 POWER TAKE OFF



TM-ZE300 41044507044A FRAME/HOOK-IN(AWL)

Pos No.	Parts No	Parts Name	Qty	Unit	Technical Data	Serial No (Start)	Seri
1	36400355010	CASE	1				
2	36400495010	GEAR	1				
3	36400365010	SHAFT	1				
4	36400495020	GEAR	1				
5	36400095040	SHAFT	1				
6	36400095050	COLLAR	1				
7	36400285040	SHIFTER SET	1				
8	36400095110	PACKING	2				
9	36400095070	COVER (BEARING)	1				
10	36400095080	PACKING (COVER)	1				
11	36400095090	SHIM	N				
12	80500006206	BEARING,BALL	2				
13	36400095120	BEARING	2				
14	91206030005	SEAL,OIL	1				
15	36400095130	WASHER	1				
16	90101206012	BOLT	1		M6X12		
17	80602110520	RING,RITAINING	2		R52		
18	90191208014	BOLT	3		M8X14		
19	90191208030	BOLT	4		M8X30		
20	90302040801	WASHER,SPRING	7		8		
21	36400285080	SPACER	1				
22	36400135120	COUPLING	1				
23	36400135100	KEY	1				
24	36400135150	NUT	1		M4X1.5		
25	36400135160	WASHER,PLAIN	1				
26	36400135090	WASHER	1				
29	36400345010	SPACER	1				
30	36400335030	SHIM	N				
31	90191210040	BOLT	4		M10X40		
32	36400285060	BOLT	4				
33	90267201000	NUT	4		M10		
34	90302041001	WASHER,SPRING	8		10		
35	31790680100	SUPPORT	1				
36	90191208035	BOLT	2		M8X35		
50	36400500000	POWER TAKE OFF	1				
100	31791300000	POWER TAKE OFF	1				

TM-ZE300 41044507044A FRAME/HOOK-IN(AWL)
PB1030091-01 POWER TAKE OFF

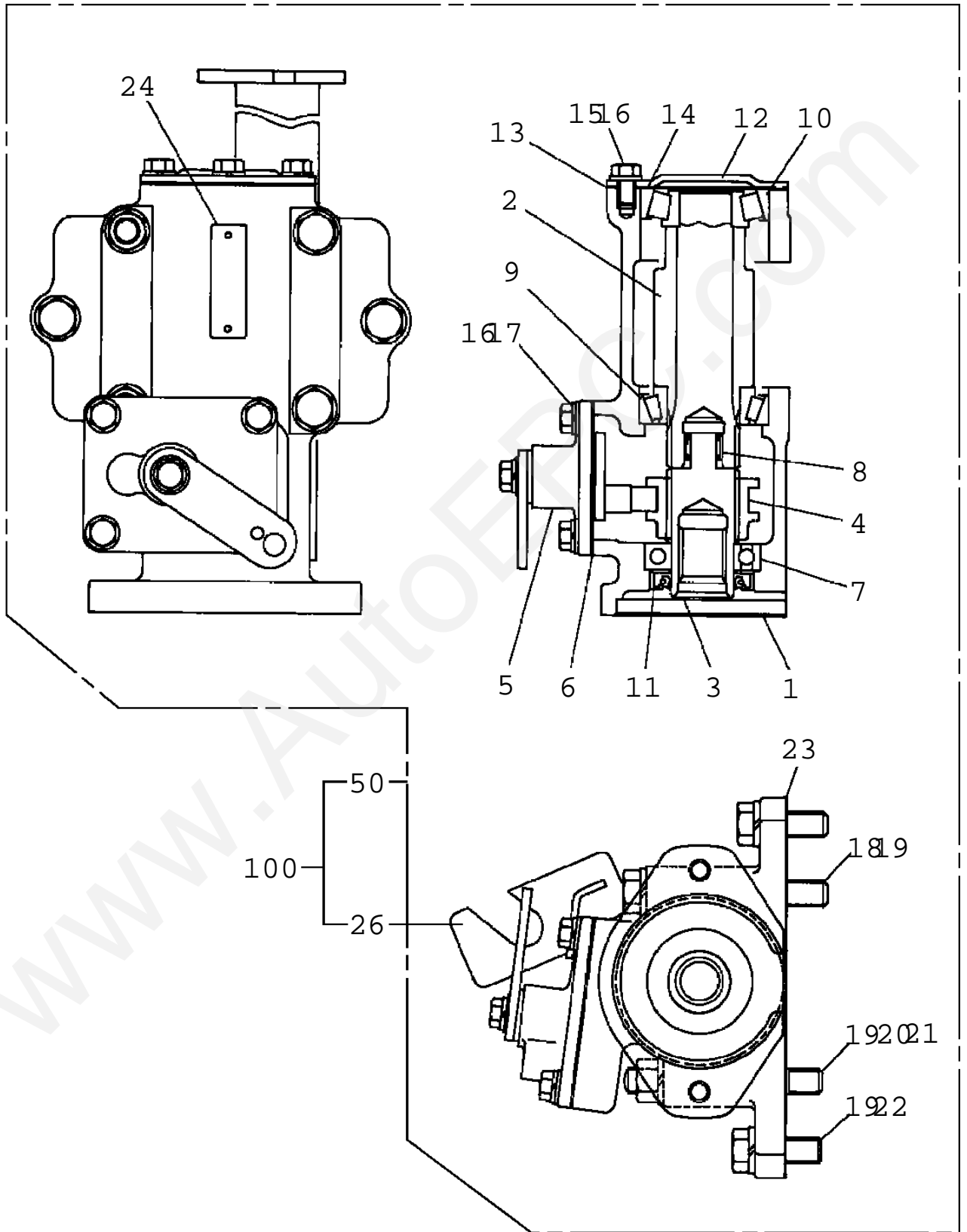


TM-ZE300 41044507044A FRAME/HOOK-IN(AWL)

Pos No.	Parts No	Parts Name	Qty	Unit	Technical Data	Serial No (Start)	Seri
1	36400785010	CASE	1				
2	36400765020	GEAR	1				
3	36400775010	SHAFT	1				
4	36400765040	SLEEVE	1				
5	36400095100	SHIFTER ASSY	1				
6	36400095110	PACKING	1				
7	80500006006	BEARING,BALL	1				
8	36400765050	BEARING,NEEDLE	1				
9	36400765060	BEARING	1				
10	36400765070	BEARING	1				
11	91206030005	SEAL,OIL	1				
12	36400095070	COVER (BEARING)	1				
13	36400095080	PACKING (COVER)	1				
14	36400095090	SHIM	N				
15	90191208014	BOLT	3		M8X14		
16	90302040801	WASHER,SPRING	7		8		
17	90191208020	BOLT	4		M8X20		
18	90193512090	BOLT	2				
19	90302041201	WASHER,SPRING	4		12		
20	36400785020	BOLT,STUD	2				
21	90267401200	NUT	2				
22	36400765110	PACKING (CASE)	1				
23	36400795010	PLATE,NAME	1				
25	31790680100	SUPPORT	1				
50	36400790000	POWER TAKE OFF	1				
100	31790740000	POWER TAKE OFF	1				

www.AutoEPC.com

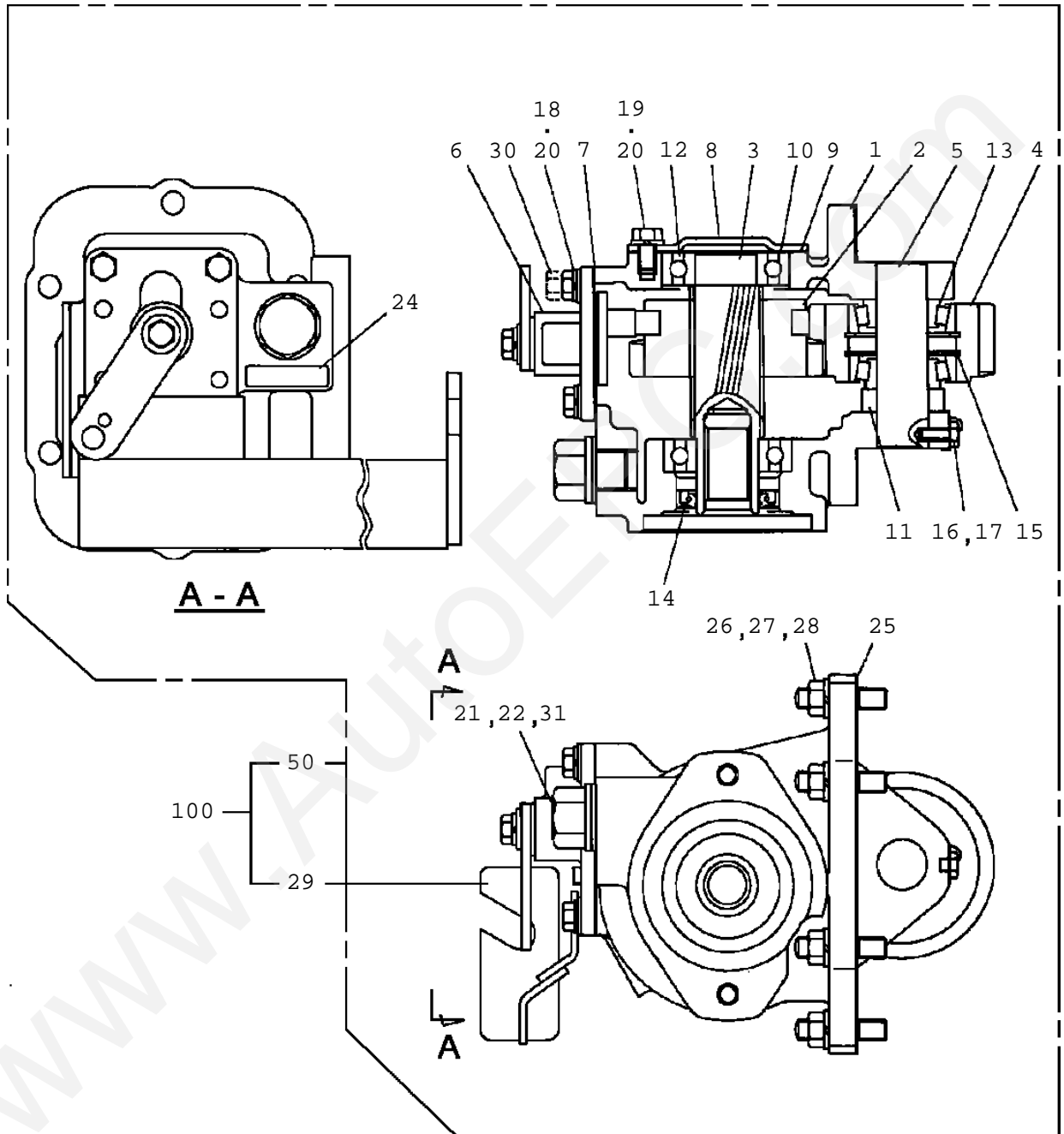
TM-ZE300 41044507044A FRAME/HOOK-IN(AWL)
PB1030093-01 POWER TAKE OFF



TM-ZE300 41044507044A FRAME/HOOK-IN(AWL)

Pos No.	Parts No	Parts Name	Qty	Unit	Technical Data	Serial No (Start)	Seri
1	36400805010	CASE	1				
2	36400805020	GEAR	1				
3	36400775010	SHAFT	1				
4	36400765040	SLEEVE	1				
5	36400095101	SHIFTER ASSY	1				
6	36400095110	PACKING	1				
7	80500006006	BEARING,BALL	1				
8	36400765050	BEARING,NEEDLE	1				
9	36400765060	BEARING	1				
10	36400765070	BEARING	1				
11	91206030005	SEAL,OIL	1				
12	36400095070	COVER (BEARING)	1				
13	36400095080	PACKING (COVER)	1				
14	36400095090	SHIM	N				
15	90191208014	BOLT	3		M8X14		
16	90302040801	WASHER,SPRING	7		8		
17	90191208020	BOLT	4		M8X20		
18	90193512090	BOLT	2				
19	90302041201	WASHER,SPRING	6		12		
20	36400785020	BOLT,STUD	2				
21	90264201200	NUT	2		M12		
22	90193512035	BOLT	2		M12X35		
23	36400435090	PACKING (CASE)	1				
24	36400805030	PLATE,NAME	1				
26	31790750100	SUPPORT	1				
50	36400810000	POWER TAKE OFF	1				
100	31790750000	POWER TAKE OFF	1				

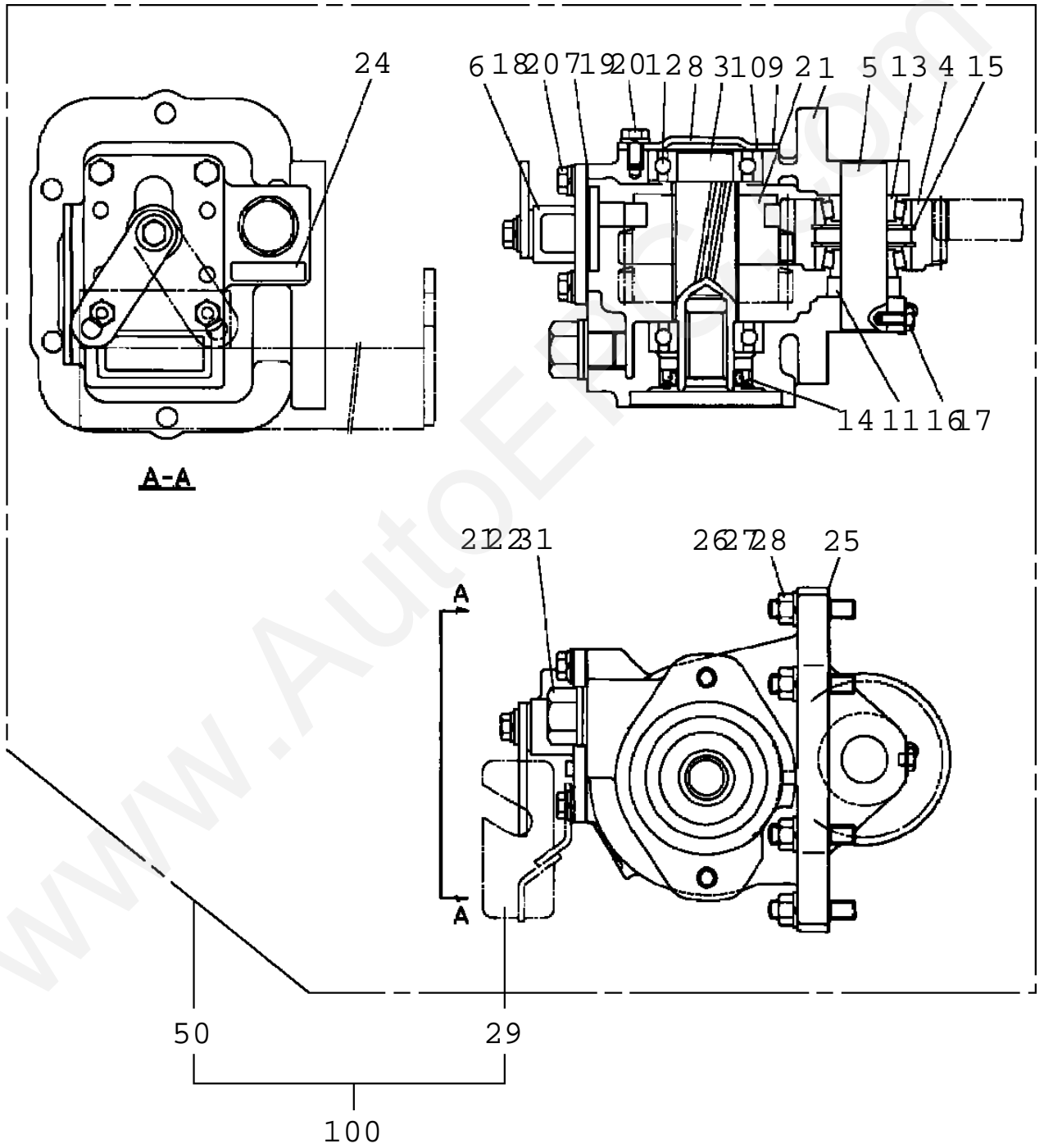
TM-ZE300 41044507044A FRAME/HOOK-IN(AWL)
PB1030103-04 POWER TAKE OFF



TM-ZE300 41044507044A FRAME/HOOK-IN(AWL)

Pos No.	Parts No	Parts Name	Qty	Unit	Technical Data	Serial No (Start)	Se
1	36400845060	CASE	1				
2	36400845020	GEAR	1				
3	36400845030	SHAFT	1				
4	36400845040	GEAR	1				
5	36400395050	SHAFT	1				
6	36400095100	SHIFTER ASSY	1				
7	36400095110	PACKING	1				
8	36400095070	COVER (BEARING)	1				
9	36400095080	PACKING (COVER)	1				
10	36400095090	SHIM	1				
11	36400675030	COLLAR	1				
12	80500006206	BEARING,BALL	2				
13	36400675050	BEARING	2				
14	91206030005	SEAL,OIL	1				
15	80602110520	RING,RITAINING	2		R52		
16	36400095130	WASHER	1				
17	90101206015	BOLT	1		M6X15		
18	90191208020	BOLT	4		M8X20		
19	90191208014	BOLT	3		M8X14		
20	90302040801	WASHER,SPRING	7		8		
21	36401025060	PLUG	1				
22	36401025070	WASHER,PLAIN	1				
24	36401025090	PLATE,NAME	1				
25	36401025100	PACKING	1				
26	36400095150	BOLT,STUD	6		M10X1.25/1.5X43		
27	90267201000	NUT	6		M10		
28	90302041001	WASHER,SPRING	6		10		
29	31790770100	SUPPORT	1				
30	90191208025	BOLT	2		M8X25		
31	36401025120	NUT (REINFORCER)	1				
50	36400840000	POWER TAKE OFF	1				
100	31790770000	POWER TAKE OFF	1				

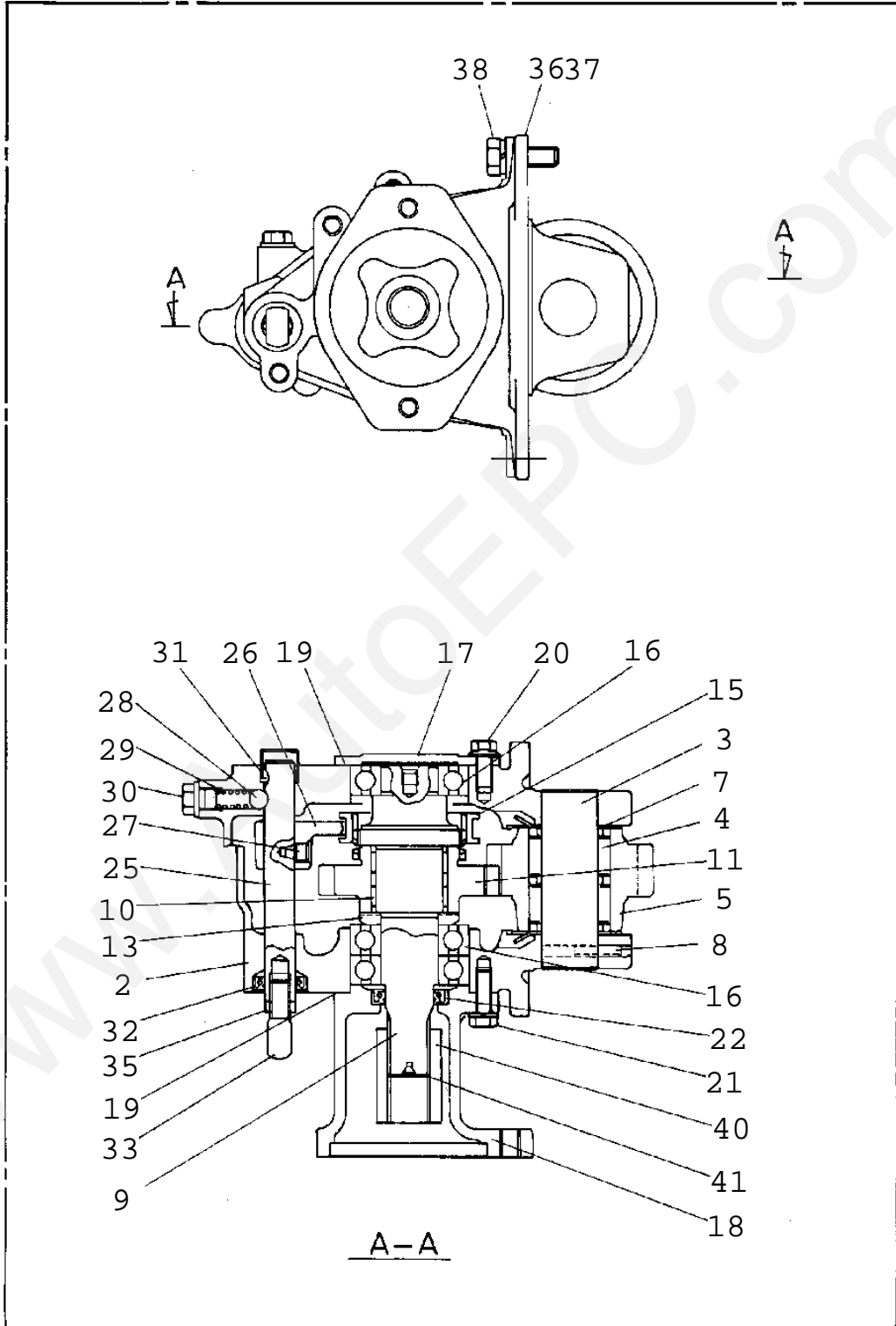
TM-ZE300 41044507044A FRAME/HOOK-IN(AWL)
PB1030104-01 POWER TAKE OFF



TM-ZE300 41044507044A FRAME/HOOK-IN(AWL)

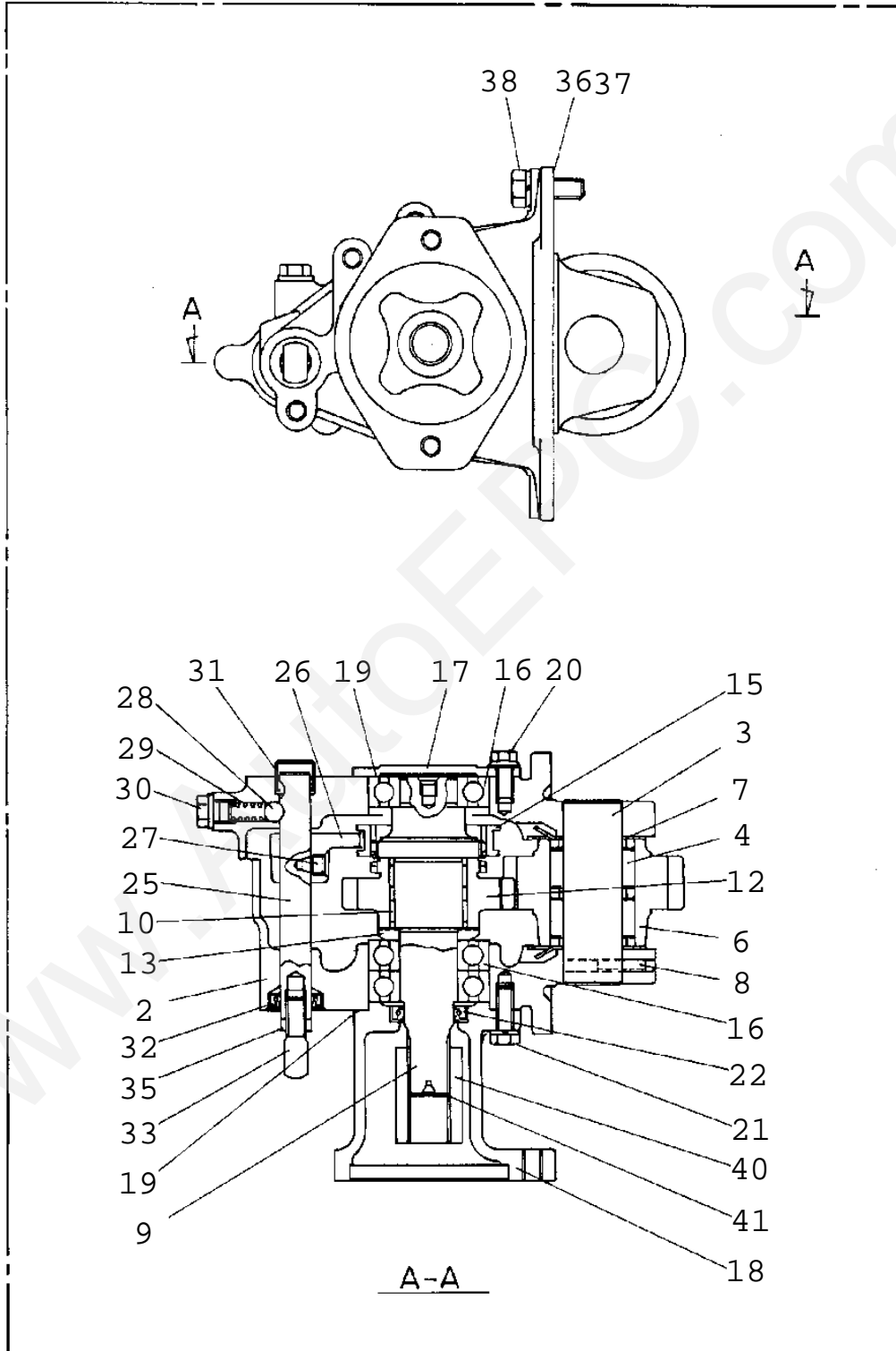
Pos No.	Parts No	Parts Name	Qty	Unit	Technical Data	Serial No (Start)	Se
1	36400855030	CASE	1				
2	36400845020	GEAR	1				
3	36400845030	SHAFT	1				
4	36400845040	GEAR	1				
5	36400395050	SHAFT	1				
6	36400095100	SHIFTER ASSY	1				
7	36400095110	PACKING	1				
8	36400095070	COVER (BEARING)	1				
9	36400095080	PACKING (COVER)	1				
10	36400095090	SHIM	1				
11	36400675030	COLLAR	1				
12	80500006206	BEARING,BALL	2				
13	36400675050	BEARING	2				
14	91206030005	SEAL,OIL	1				
15	80602110520	RING,RITAINING	2		R52		
16	36400095130	WASHER	1				
17	90101206015	BOLT	1		M6X15		
18	90191208020	BOLT	4		M8X20		
19	90191208014	BOLT	3		M8X14		
20	90302040801	WASHER,SPRING	7		8		
21	36401025060	PLUG	1				
22	36401025070	WASHER,PLAIN	1				
24	36401025090	PLATE,NAME	1				
25	36401025100	PACKING	1				
26	36401695040	BOLT,STUD	6		M10X1.25/1.5X47		
27	90267201000	NUT	6		M10		
28	90302041001	WASHER,SPRING	6		10		
29	31790770100	SUPPORT	1				
31	36401025120	NUT (REINFORCER)	1				
50	36400850000	POWER TAKE OFF	1				
100	31790780000	POWER TAKE OFF	1				

TM-ZE300 41044507044A FRAME/HOOK-IN(AWL)
PB1030111-00 POWER TAKE OFF



TM-ZE300 41044507044A FRAME/HOOK-IN(AWL)

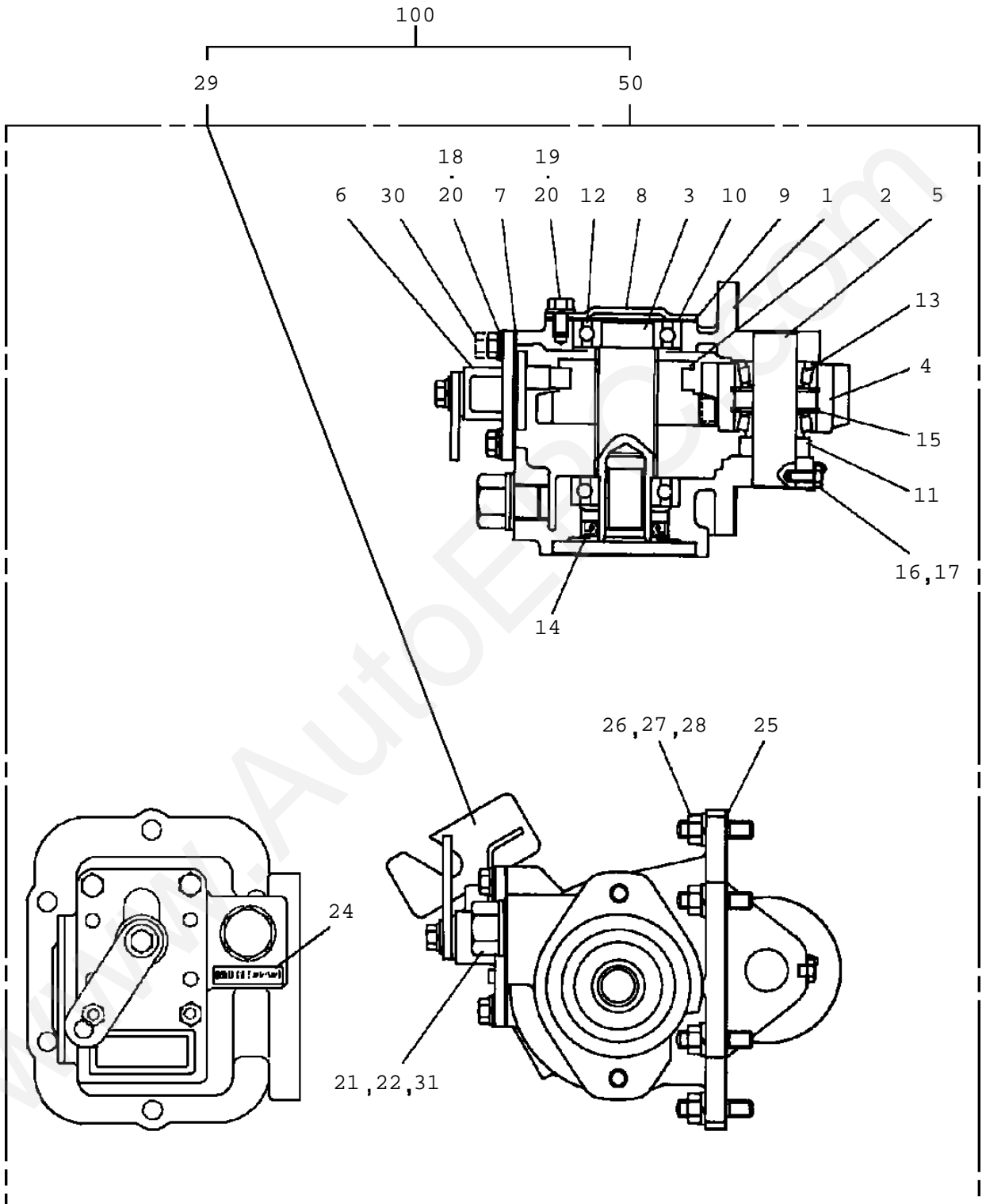
Pos No.	Parts No	Parts Name	Qty	Unit	Technical Data	Serial No (Start
2	36400956010	CASE (P.T.O)	1			
3	51630103020	SHAFT (POWER TAKE OFF)	1			
4	51630103030	BEARING, NEEDLE	1			
5	36400945010	GEAR	1			
7	51630103050	WASHER	2			
8	51630103060	PIN, SPRING	1			
9	36400955020	SHAFT (OUTPUT)	1			
10	51630103080	BEARING, NEEDLE	2			
11	51630104020	GEAR	1			
13	51630103100	WASHER	1			
15	51630103110	SLEEVE	1			
16	80500006206	BEARING, BALL	3			
17	52630106230	COVER (FRONT)	1			
18	36400955030	ADAPTER	1			
19	51630103140	GASKET	2			
20	51630103150	BOLT	4			
21	36400956020	BOLT	4		M8X1.25X30	
22	36400955050	SEAL, OIL	1			
25	51630103170	SHAFT	1			
26	51630103180	FORK	1			
27	51630103190	BOLT	1			
29	36400956030	PIN	1			
30	51630103200	PLUG	1			
31	51630103210	PLUG	1			
32	51630103220	SEAL, OIL	1			
33	51630103230	BOLT	1			
35	51630103240	NUT	1			
36	51630103250	GASKET	1			
37	51630103260	GASKET	1			
38	36400315040	BOLT	6			
40	36400955060	COUPLING	1			
41	36400955070	RING, STOP	1			
50	36400940000	POWER TAKE OFF	1			



TM-ZE300 41044507044A FRAME/HOOK-IN(AWL)

Pos No.	Parts No	Parts Name	Qty	Unit	Technical Data	Serial No (Start
2	36400956010	CASE (P.T.O)	1			
3	51630103020	SHAFT (POWER TAKE OFF)	1			
4	51630103030	BEARING,NEEDLE	1			
6	36400955010	GEAR	1			
7	51630103050	WASHER	2			
8	51630103060	PIN,SPRING	1			
9	36400955020	SHAFT (OUTPUT)	1			
10	51630103080	BEARING,NEEDLE	2			
12	51630103090	GEAR,OUTPUT	1			
13	51630103100	WASHER	1			
15	51630103110	SLEEVE	1			
16	80500006206	BEARING,BALL	3			
17	52630106230	COVER (FRONT)	1			
18	36400955030	ADAPTER	1			
19	51630103140	GASKET	2			
20	51630103150	BOLT	4			
21	36400956020	BOLT	4		M8X1.25X30	
22	36400955050	SEAL,OIL	1			
25	51630103170	SHAFT	1			
26	51630103180	FORK	1			
27	51630103190	BOLT	1			
28	36400956030	PIN	1			
29	52630106190	SPRING	1			
30	51630103200	PLUG	1			
31	51630103210	PLUG	1			
32	51630103220	SEAL,OIL	1			
33	51630103230	BOLT	1			
35	51630103240	NUT	1			
36	51630103250	GASKET	1			
37	51630103260	GASKET	1			
38	36400315040	BOLT	6			
40	36400955060	COUPLING	1			
41	36400955070	RING,STOP	1			
50	36400950000	POWER TAKE OFF	1			

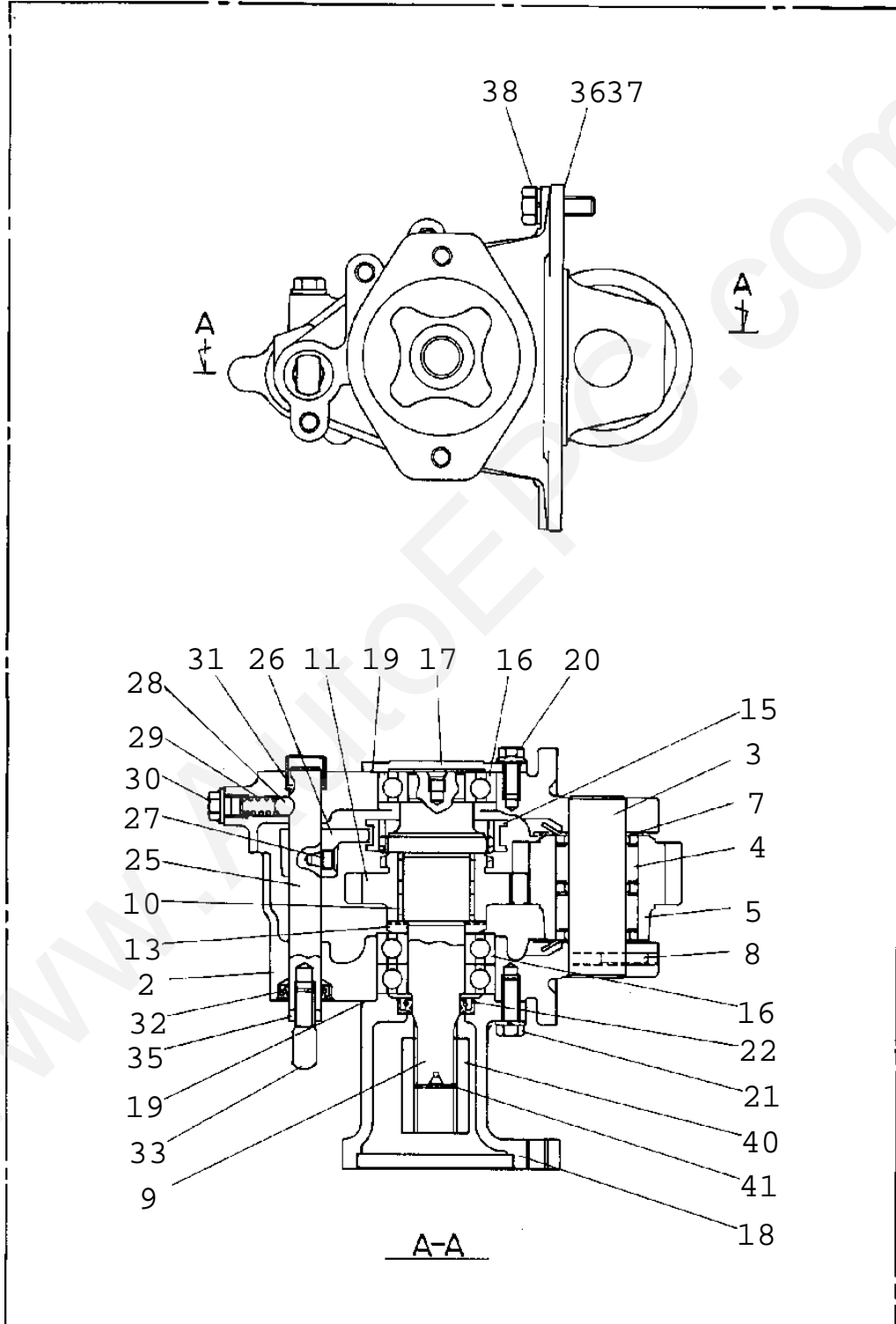
TM-ZE300 41044507044A FRAME/HOOK-IN(AWL)
PB1030114-03 POWER TAKE OFF



TM-ZE300 41044507044A FRAME/HOOK-IN(AWL)

Pos No.	Parts No	Parts Name	Qty	Unit	Technical Data	Serial No (Start)	Se
1	36401025010	CASE	1				
2	36401025020	GEAR	1				
3	36400845030	SHAFT	1				
4	36401025030	GEAR	1				
5	36400395050	SHAFT	1				
6	36400095100	SHIFTER ASSY	1				
7	36400095110	PACKING	1				
8	36400095070	COVER (BEARING)	1				
9	36400095080	PACKING (COVER)	1				
10	36400095090	SHIM	1				
11	36400675030	COLLAR	1				
12	80500006206	BEARING,BALL	2				
13	36401025050	BEARING	2				
14	91206030005	SEAL,OIL	1				
15	80602110470	RING,RITAINING	2		R47		
16	36400095130	WASHER	1				
17	90101206015	BOLT	1		M6X15		
18	90191208020	BOLT	4		M8X20		
19	90191208014	BOLT	3		M8X14		
20	90302040801	WASHER,SPRING	7		8		
21	36401025060	PLUG	1				
22	36401025070	WASHER,PLAIN	1				
24	36401025090	PLATE,NAME	1				
25	36401025100	PACKING	1				
26	36400095150	BOLT,STUD	6		M10X1.25/1.5X43		
27	90267201000	NUT	6		M10		
28	90302041001	WASHER,SPRING	6		10		
29	31790770100	SUPPORT	1				
30	90191208025	BOLT	2		M8X25		
31	36401025120	NUT (REINFORCER)	1				
50	36401020000	POWER TAKE OFF	1				
100	31790810000	POWER TAKE OFF	1				

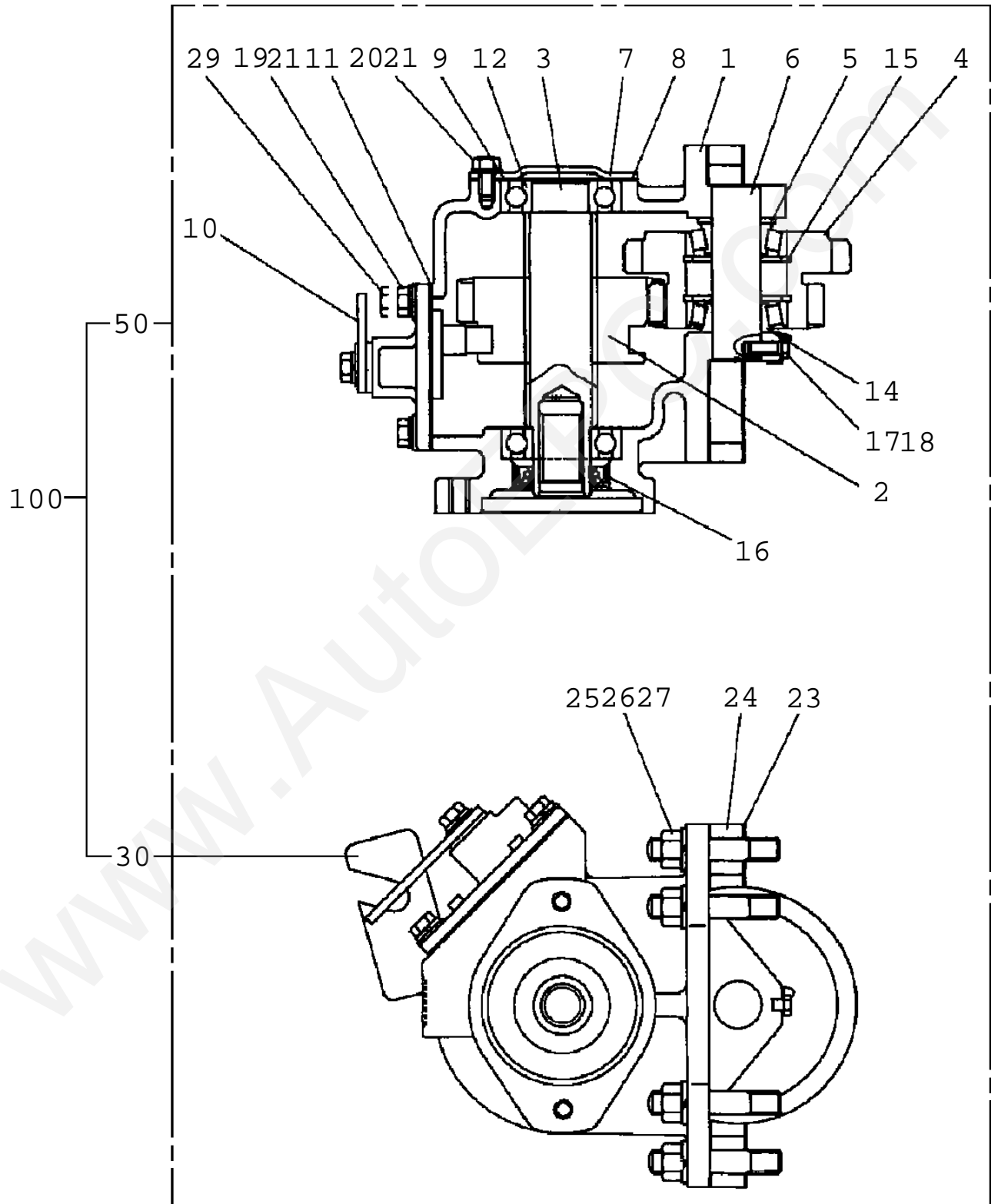
TM-ZE300 41044507044A FRAME/HOOK-IN(AWL)
PB1030115-00 POWER TAKE OFF



TM-ZE300 41044507044A FRAME/HOOK-IN(AWL)

Pos No.	Parts No	Parts Name	Qty	Unit	Technical Data	Serial No (Start
2	51630103010	CASE (P.T.O)	1			
3	51630103020	SHAFT (POWER TAKE OFF)	1			
4	51630103030	BEARING,NEEDLE	1			
5	36401045010	GEAR	1			
7	51630103050	WASHER	2			
8	51630103060	PIN,SPRING	1			
9	36400955020	SHAFT (OUTPUT)	1			
10	51630103080	BEARING,NEEDLE	2			
11	36401045020	GEAR	1			
13	51630103100	WASHER	1			
15	51630103110	SLEEVE	1			
16	80500006206	BEARING,BALL	3			
17	52630106230	COVER (FRONT)	1			
18	36400955030	ADAPTER	1			
19	51630103140	GASKET	2			
20	51630103150	BOLT	4			
21	36400955040	BOLT	4		M8X25X1.25	
22	36400955050	SEAL,OIL	1			
25	51630103170	SHAFT	1			
26	51630103180	FORK	1			
27	51630103190	BOLT	1			
28	52630106200	BALL,STEEL	1			
29	52630106190	SPRING	1			
30	51630103200	PLUG	1			
31	51630103210	PLUG	1			
32	51630103220	SEAL,OIL	1			
33	51630103230	BOLT	1			
35	51630103240	NUT	1			
36	51630103250	GASKET	1			
37	51630103260	GASKET	1			
38	36400315040	BOLT	6			
40	36400955060	COUPLING	1			
41	36400955070	RING,STOP	1			
50	36401040000	POWER TAKE OFF	1			

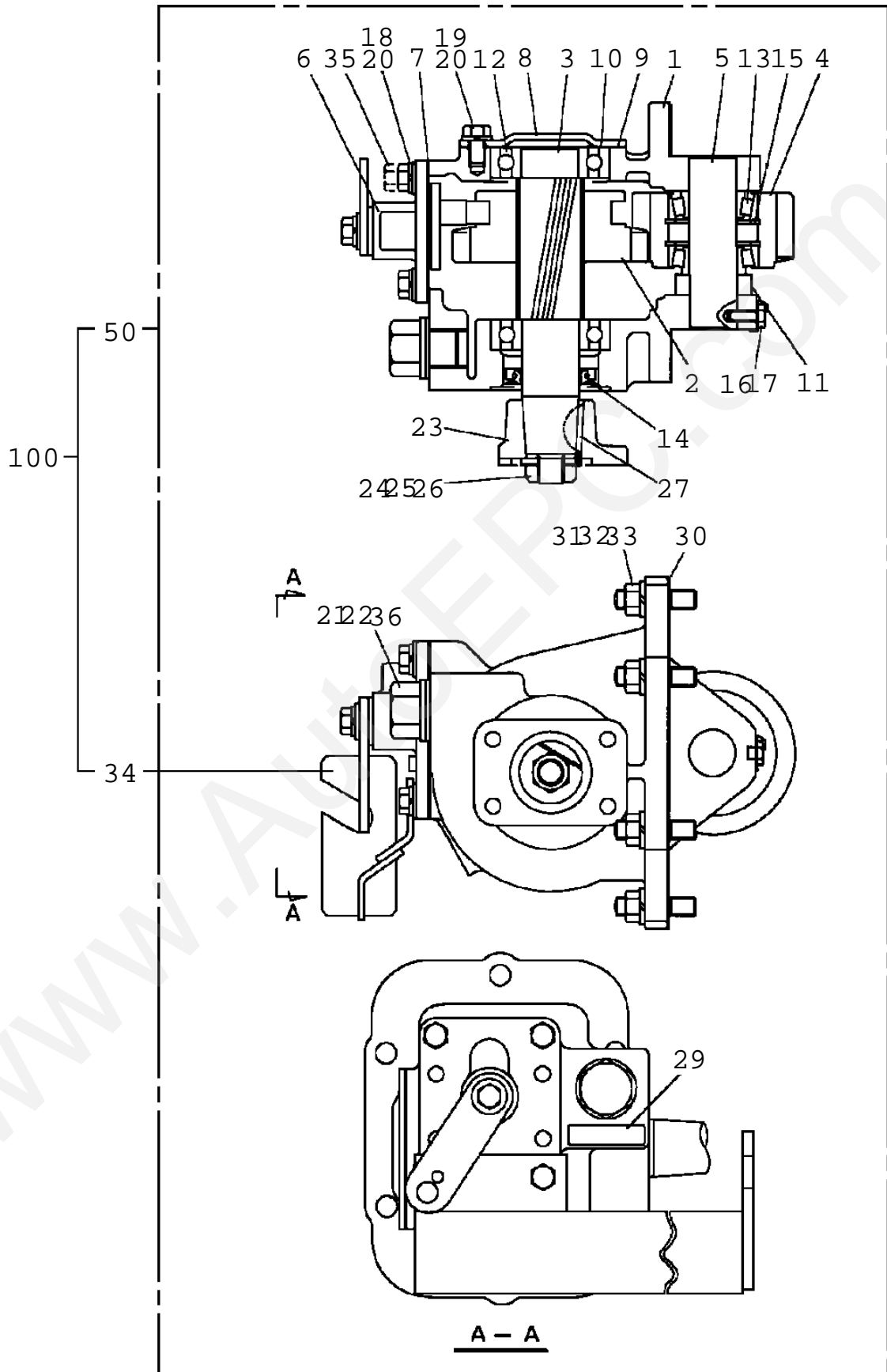
TM-ZE300 41044507044A FRAME/HOOK-IN(AWL)
PB1030118-02 POWER TAKE OFF



TM-ZE300 41044507044A FRAME/HOOK-IN(AWL)

Pos No.	Parts No	Parts Name	Qty	Unit	Technical Data	Serial No (Start)	Seri
1	36401105010	CASE	1				
2	36401105100	GEAR	1				
3	36401105030	SHAFT	1				
4	36401105110	GEAR	1				
5	36401105050	COLLAR	1				
6	36400395050	SHAFT	1				
7	36400095070	COVER (BEARING)	1				
8	36400095080	PACKING (COVER)	1				
9	36400095090	SHIM	1				
10	36401105060	SHIFTER SET	1				
11	36400995080	PACKING	1				
12	80500006206	BEARING,BALL	2				
14	36400675050	BEARING	2				
15	80602110520	RING,RITAINING	2		R52		
16	91206030005	SEAL,OIL	1				
17	90101206015	BOLT	1		M6X15		
18	36400095130	WASHER	1				
19	90191208020	BOLT	4		M8X20		
20	90191208014	BOLT	3		M8X14		
21	90302040801	WASHER,SPRING	7		8		
23	36400915060	PACKING	2				
24	36401105120	SPACER	1				
25	36401105080	BOLT	6				
26	90267401200	NUT	6				
27	90302041201	WASHER,SPRING	6		12		
29	90191208025	BOLT	2		M8X25		
30	31790790100	SUPPORT	1				
50	36401100000	POWER TAKE OFF	1				
100	31790850000	POWER TAKE OFF	1				

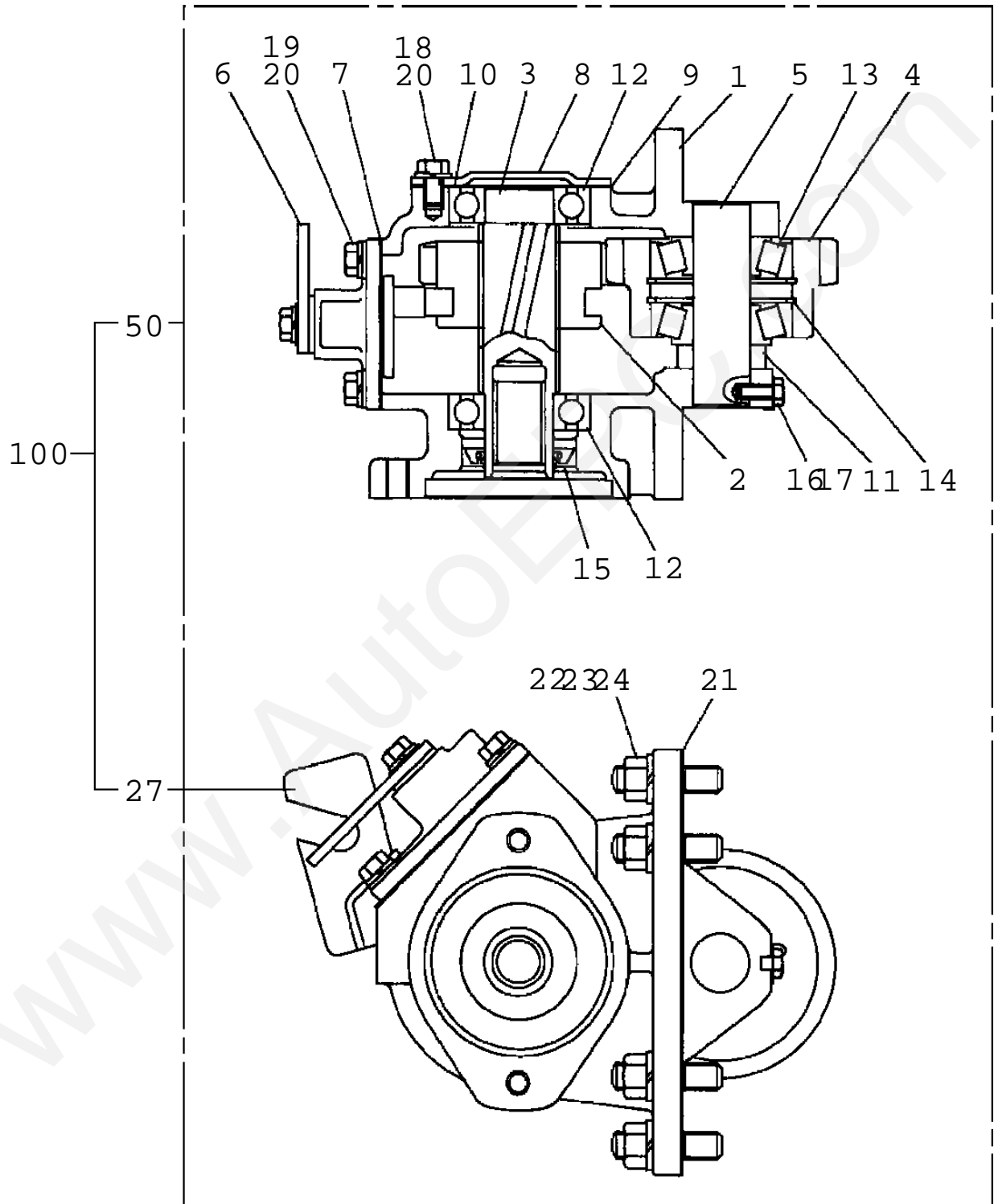
TM-ZE300 41044507044A FRAME/HOOK-IN(AWL)
PB1030122-01 POWER TAKE OFF



TM-ZE300 41044507044A FRAME/HOOK-IN(AWL)

Pos No.	Parts No	Parts Name	Qty	Unit	Technical Data	Serial No (Start)	Se
1	36401035010	CASE	1				
2	36401025020	GEAR	1				
3	36401035020	SHAFT	1				
4	36401025030	GEAR	1				
5	36400395050	SHAFT	1				
6	36400095100	SHIFTER ASSY	1				
7	36400095110	PACKING	1				
8	36400095070	COVER (BEARING)	1				
9	36400095080	PACKING (COVER)	1				
10	36400095090	SHIM	1				
11	36400675030	COLLAR	1				
12	80500006206	BEARING,BALL	2				
13	36401025050	BEARING	2				
14	91206030005	SEAL,OIL	1				
15	80602110470	RING,RITAINING	2		R47		
16	36400095130	WASHER	1				
17	90101206015	BOLT	1		M6X15		
18	90191208020	BOLT	4		M8X20		
19	90191208014	BOLT	3		M8X14		
20	90302040801	WASHER,SPRING	7		8		
21	36401025060	PLUG	1				
22	36401025070	WASHER,PLAIN	1				
23	36400725030	COUPLING	1				
24	36400725080	WASHER,PLAIN	1				
25	36400725050	WASHER	1				
26	36400725070	NUT	1		M14		
27	36400135100	KEY	1				
29	36401025090	PLATE,NAME	1				
30	36401025100	PACKING	1				
31	36400095150	BOLT,STUD	6		M10X1.25/1.5X43		
32	90267201000	NUT	6		M10		
33	90302041001	WASHER,SPRING	6		10		
34	31790770100	SUPPORT	1				
35	90191208025	BOLT	2		M8X25		
36	36401025120	NUT (REINFORCER)	1				
50	36401030000	POWER TAKE OFF	1				
100	31791970000	POWER TAKE OFF	1				

TM-ZE300 41044507044A FRAME/HOOK-IN(AWL)
PB1030125-01 POWER TAKE OFF

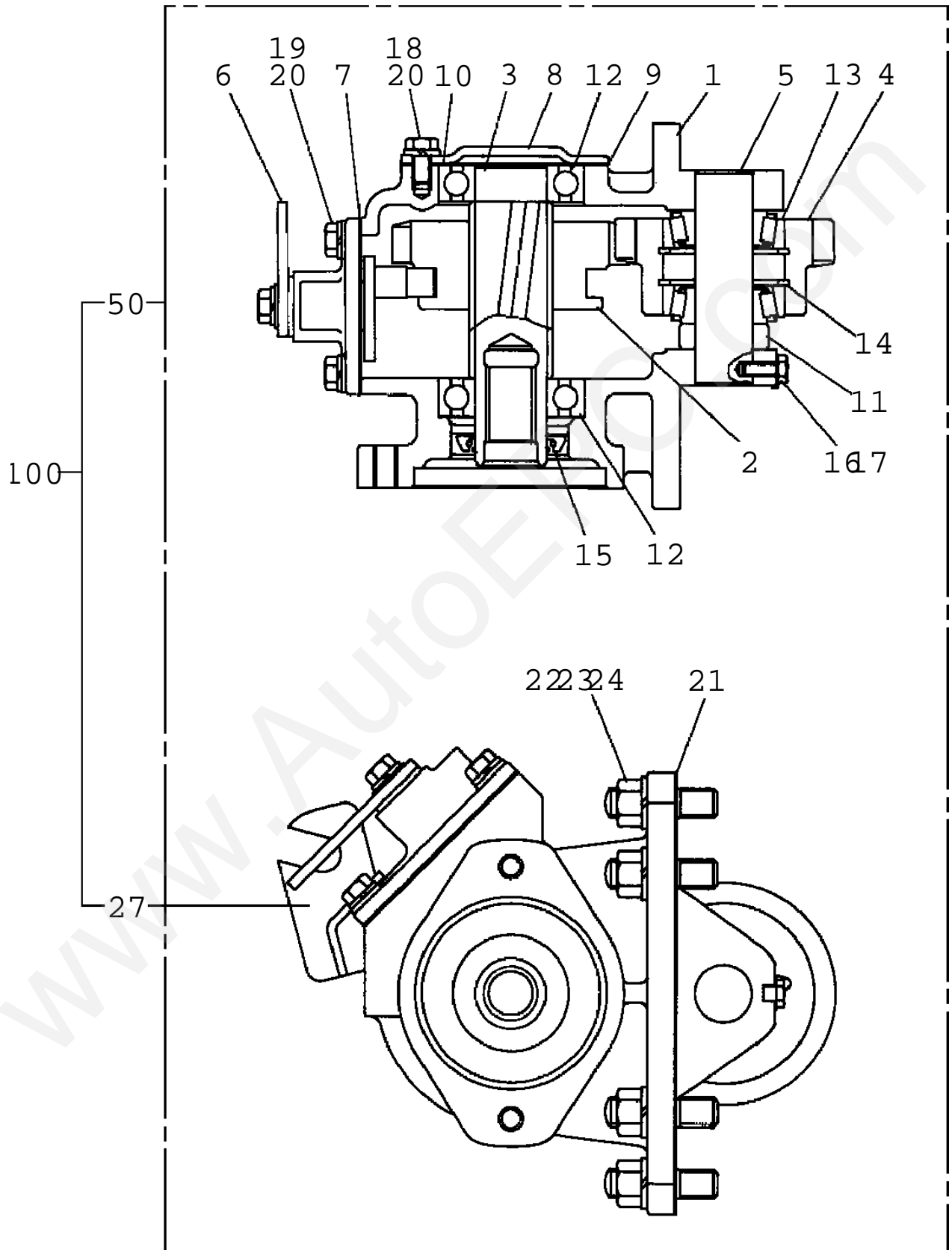


TM-ZE300 41044507044A FRAME/HOOK-IN(AWL)

Pos No.	Parts No	Parts Name	Qty	Unit	Technical Data	Serial No (Start)	Seri
1	36400915010	CASE	1				
2	36400915020	GEAR	1				
3	36400915030	SHAFT	1				
4	36400915040	GEAR	1				
5	36400395050	SHAFT	1				
6	36400095100	SHIFTER ASSY	1				
7	36400095110	PACKING	1				
8	36400095070	COVER (BEARING)	1				
9	36400095080	PACKING (COVER)	1				
10	36400095090	SHIM	1				
11	36400675030	COLLAR	1				
12	80500006206	BEARING,BALL	2				
13	36400915050	BEARING	2				
14	80602110620	RING,RITAINING	2		R62		
15	91206030005	SEAL,OIL	1				
16	90191206012	BOLT	1		M6X12		
17	36400095130	WASHER	1				
18	90191208014	BOLT	3		M8X14		
19	90191208020	BOLT	4		M8X20		
20	90302040801	WASHER,SPRING	7		8		
21	36400915060	PACKING	1				
22	36400435120	BOLT,STUD	6				
23	90267401200	NUT	6				
24	90302041201	WASHER,SPRING	6		12		
27	31790670100	SUPPORT	1				
50	36400910000	POWER TAKE OFF	1				
100	31791950000	POWER TAKE OFF	1				

www.AutoEPC.com

TM-ZE300 41044507044A FRAME/HOOK-IN(AWL)
PB1030127-01 POWER TAKE OFF

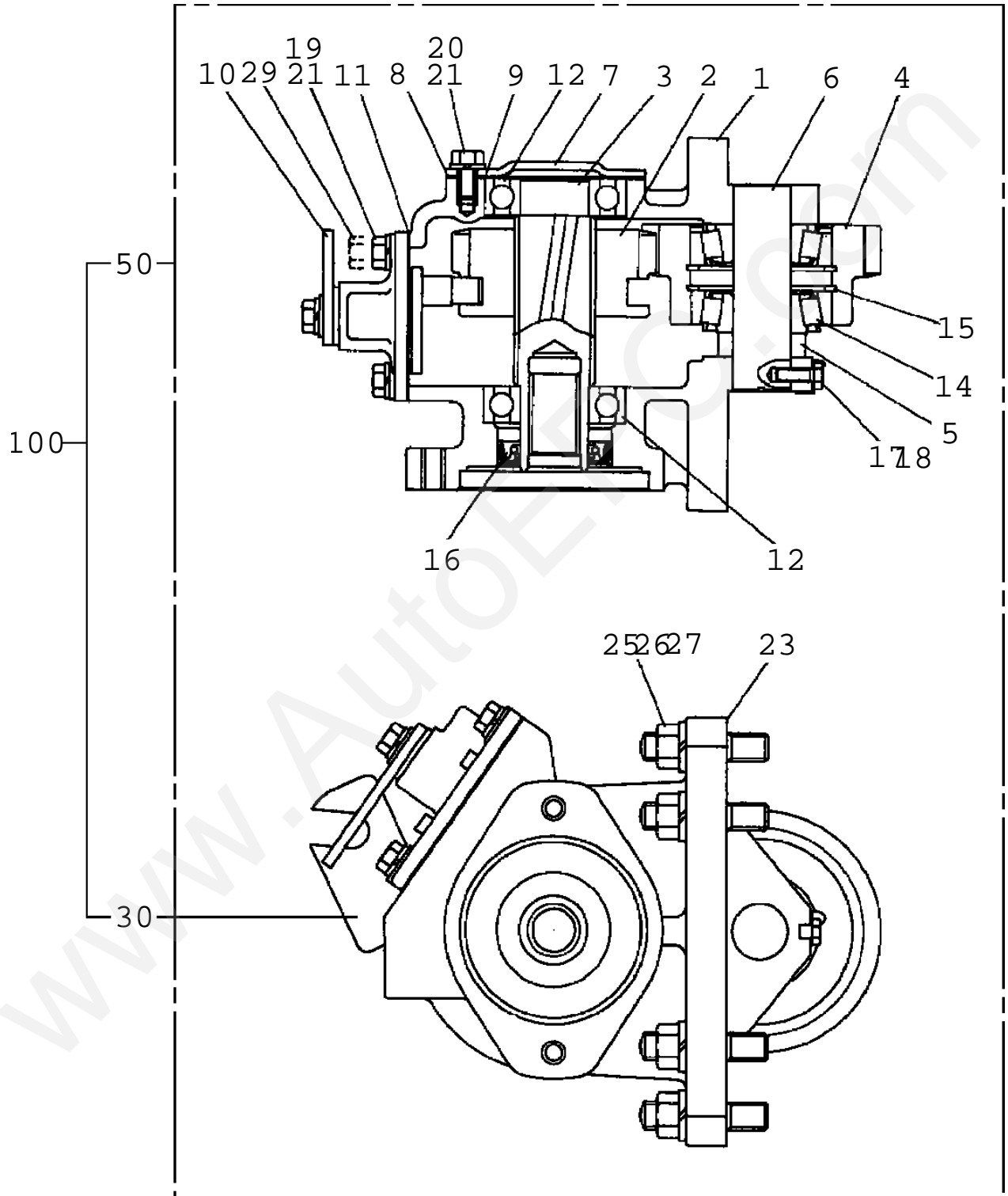


TM-ZE300 41044507044A FRAME/HOOK-IN(AWL)

Pos No.	Parts No	Parts Name	Qty	Unit	Technical Data	Serial No (Start)	Seri
1	36401055010	CASE	1				
2	36401055020	GEAR	1				
3	36401055030	SHAFT	1				
4	36401055040	GEAR	1				
5	36400395050	SHAFT	1				
6	36400095100	SHIFTER ASSY	1				
7	36400095110	PACKING	1				
8	36400095070	COVER (BEARING)	1				
9	36400095080	PACKING (COVER)	1				
10	36400095090	SHIM	1				
11	36400675030	COLLAR	1				
12	80500006206	BEARING,BALL	2				
13	36400675050	BEARING	2				
14	80602110520	RING,RITAINING	2		R52		
15	91206030005	SEAL,OIL	1				
16	90191206015	BOLT	1		M6		
17	36400095130	WASHER	1				
18	90191208014	BOLT	3		M8X14		
19	90191208020	BOLT	4		M8X20		
20	90302040801	WASHER,SPRING	7		8		
21	36400915060	PACKING	1				
22	36400435120	BOLT,STUD	6				
23	90267401200	NUT	6				
24	90302041201	WASHER,SPRING	6		12		
27	31790830100	SUPPORT	1				
50	36401050000	POWER TAKE OFF	1				
100	31790830000	POWER TAKE OFF	1				

www.AutoEPC.com

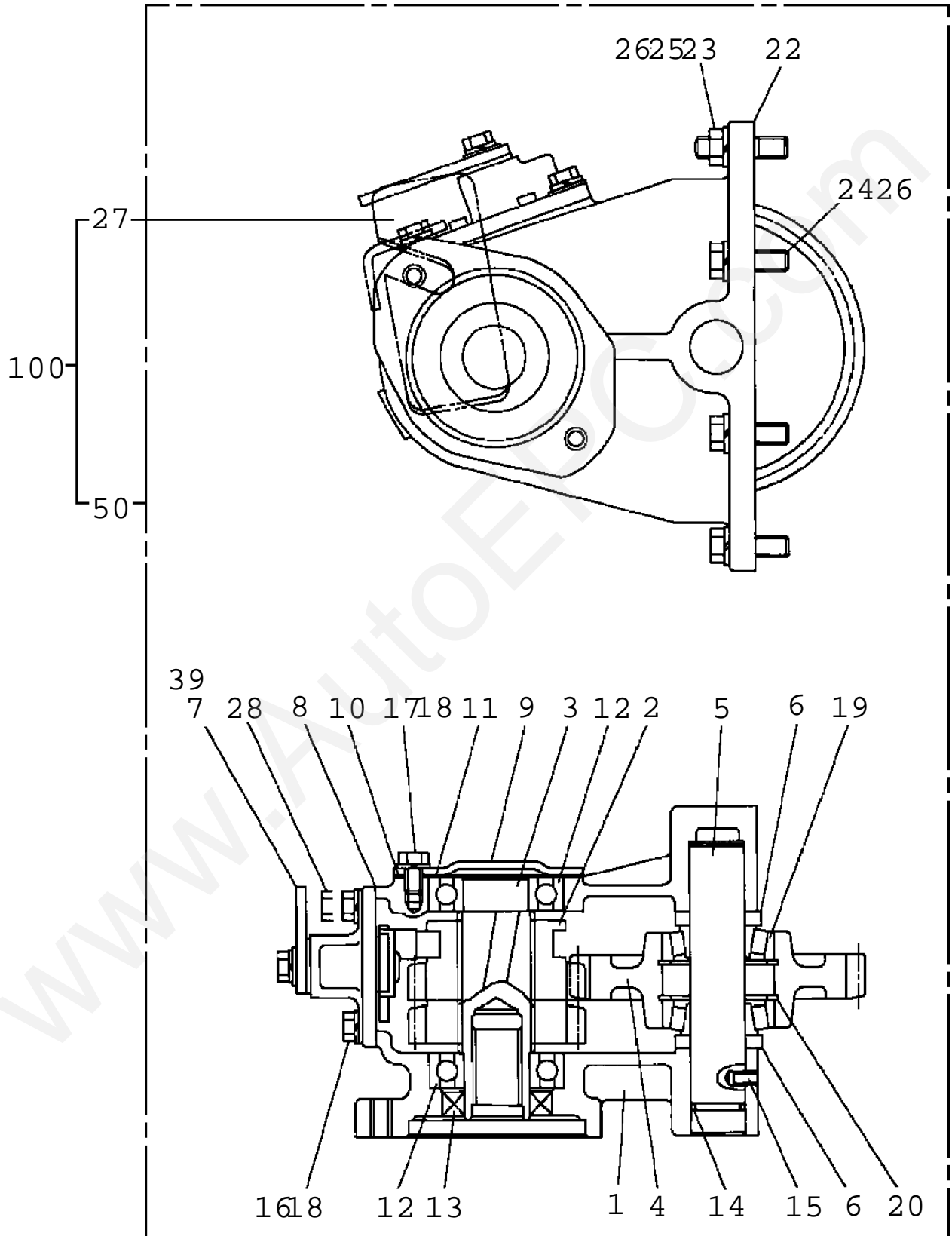
TM-ZE300 41044507044A FRAME/HOOK-IN(AWL)
PB1030128-01 POWER TAKE OFF



TM-ZE300 41044507044A FRAME/HOOK-IN(AWL)

Pos No.	Parts No	Parts Name	Qty	Unit	Technical Data	Serial No (Start)	Seri
1	36401095080	CASE	1				
2	36401095020	GEAR	1				
3	36400915030	SHAFT	1				
4	36401095030	GEAR	1				
5	36400675030	COLLAR	1				
6	36400395050	SHAFT	1				
7	36400095070	COVER (BEARING)	1				
8	36400095080	PACKING (COVER)	1				
9	36400095090	SHIM	1				
10	36400095100	SHIFTER ASSY	1				
11	36400095110	PACKING	1				
12	80500006206	BEARING,BALL	2				
14	36400135070	BEARING	2				
15	80602110620	RING,RITAINING	2		R62		
16	91206030005	SEAL,OIL	1				
17	90101206015	BOLT	1		M6X15		
18	36400095130	WASHER	1				
19	90191208020	BOLT	4		M8X20		
20	90191208014	BOLT	3		M8X14		
21	90302040801	WASHER,SPRING	7		8		
23	36400915060	PACKING	1				
25	36401095040	BOLT	6				
26	90267401200	NUT	6				
27	90302041201	WASHER,SPRING	6		12		
29	90191208025	BOLT	2		M8X25		
30	31790830100	SUPPORT	1				
50	36401090000	POWER TAKE OFF	1				
100	31790840000	POWER TAKE OFF	1				

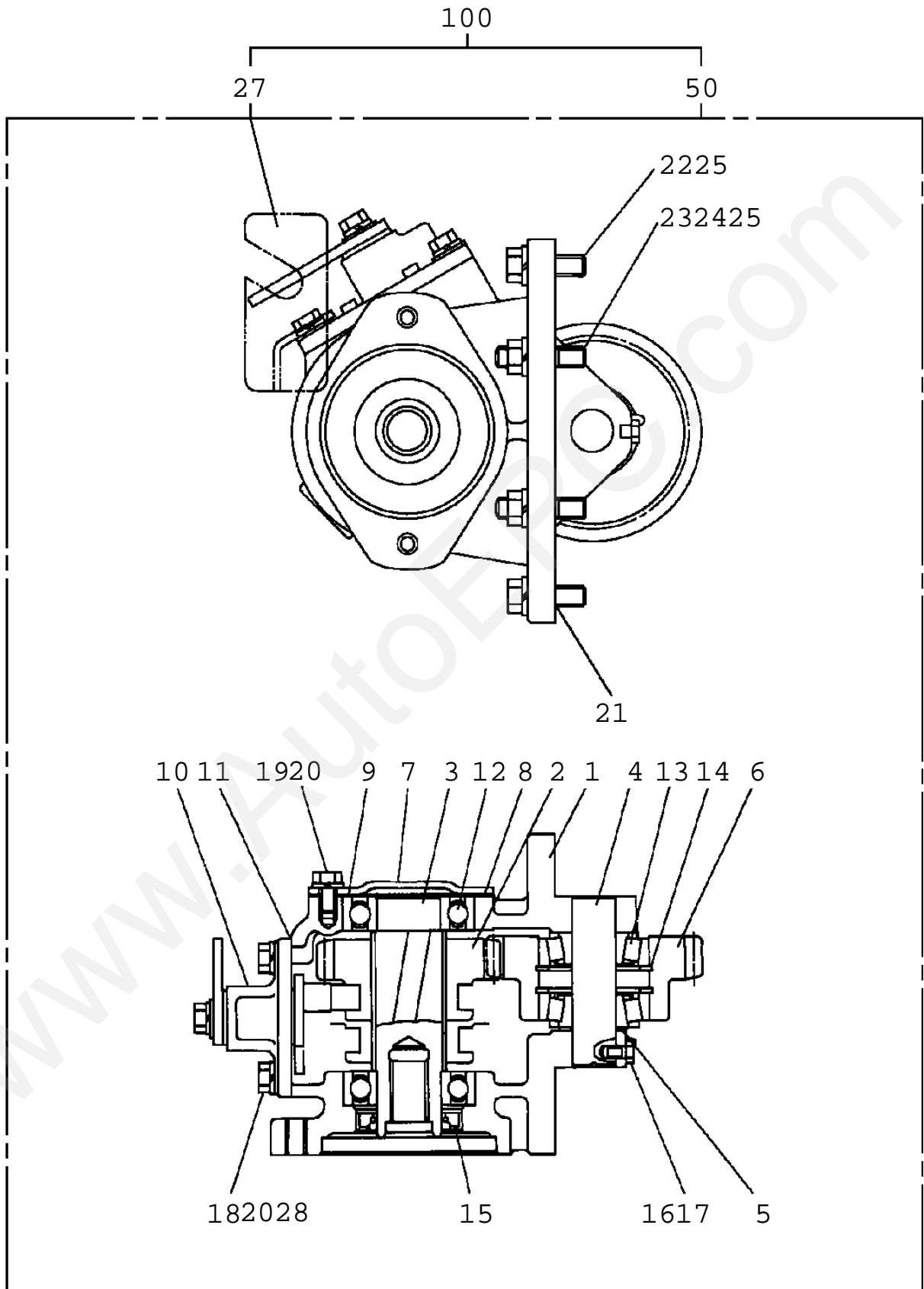
TM-ZE300 41044507044A FRAME/HOOK-IN(AWL)
PB1030135-02 POWER TAKE OFF



TM-ZE300 41044507044A FRAME/HOOK-IN(AWL)

Pos No.	Parts No	Parts Name	Qty	Unit	Technical Data	Serial No (Start)	Ser
1	36400895010	CASE	1				
2	36400895020	GEAR	1				
3	36400895030	SHAFT	1				
4	36400895040	GEAR	1				
5	36400415050	SHAFT	1				
6	36400215070	COLLAR	2				
7	36400225110	SHIFTER SET	1				
8	36400095110	PACKING	1				
9	36400095070	COVER (BEARING)	1				
10	36400095080	PACKING (COVER)	1				
11	36400095090	SHIM	1				
12	80500006206	BEARING,BALL	2				
13	91206030005	SEAL,OIL	1				
14	91001102100	O-RING	1		1A P21		
15	90710006120	SCREW,SET	1		M6X12		
16	90191208020	BOLT	4		M8X20		
17	90191208014	BOLT	3		M8X14		
18	90302040801	WASHER,SPRING	7		8		
19	36400675050	BEARING	2				
20	80602110520	RING,RITAINING	2		R52		
22	36400415100	PACKING (CASE)	1				
23	36400095150	BOLT,STUD	2		M10X1.25/1.5X43		
24	90191210030	BOLT	6		M10X30		
25	90267201000	NUT	2		M10		
26	90302041001	WASHER,SPRING	8		10		
27	31790910100	SUPPORT	1				
28	90191208025	BOLT	2		M8X25		
39	36400225160	SEAL,OIL	1				
50	36401180000	POWER TAKE OFF	1				
100	31790910000	POWER TAKE OFF	1				

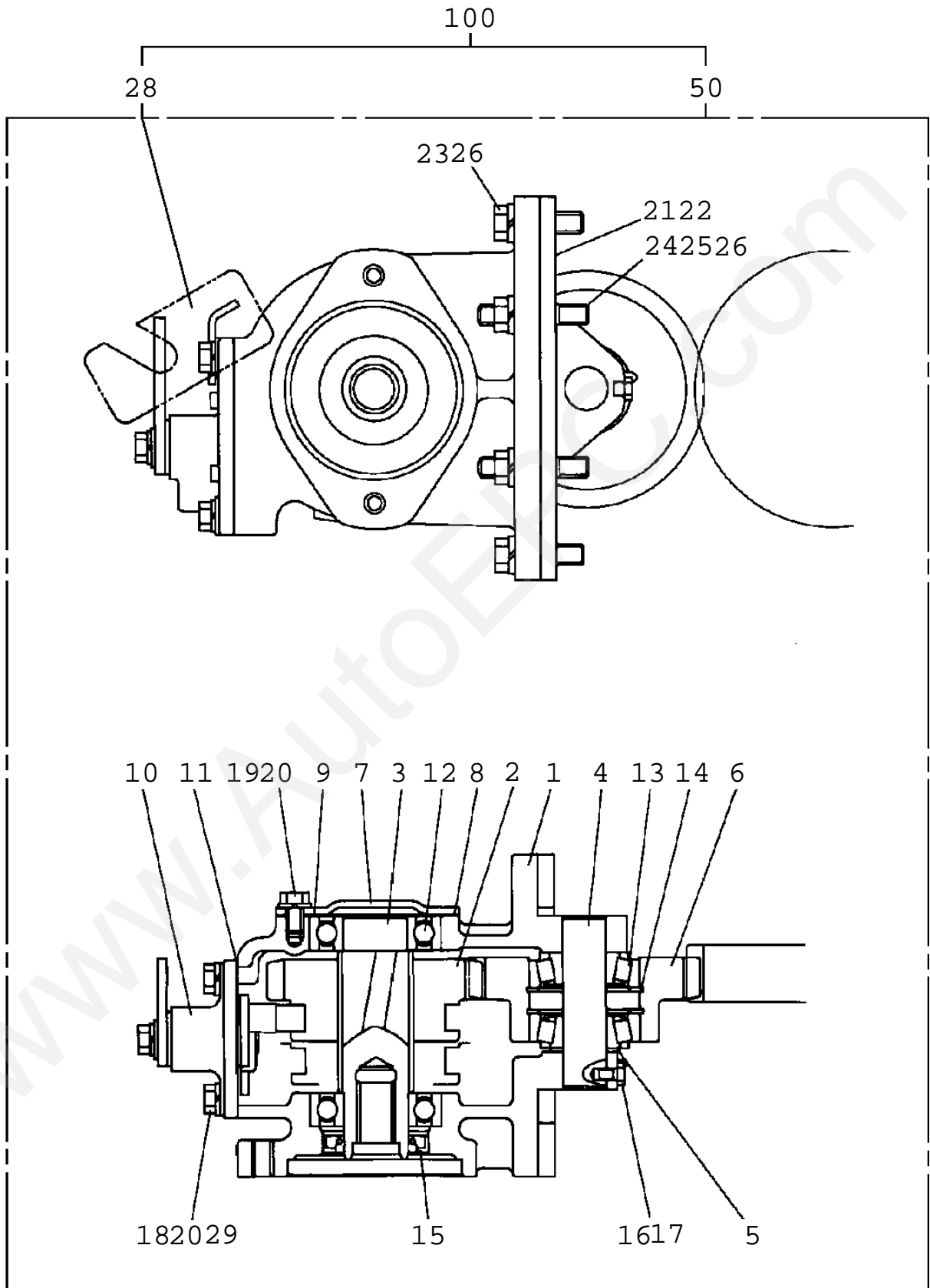
TM-ZE300 41044507044A FRAME/HOOK-IN(AWL)
PB1030136-02 POWER TAKE OFF



TM-ZE300 41044507044A FRAME/HOOK-IN(AWL)

Pos No.	Parts No	Parts Name	Qty	Unit	Technical Data	Serial No (Start)	Ser
1	36401345010	CASE	1				
2	36400865020	GEAR	1				
3	36400895030	SHAFT	1				
4	36400095040	SHAFT	1				
5	36400095050	COLLAR	1				
6	36400865040	GEAR	1				
7	36400095070	COVER (BEARING)	1				
8	36400095080	PACKING (COVER)	1				
9	36400095090	SHIM	1				
10	36400095100	SHIFTER ASSY	1				
11	36400095110	PACKING	1				
12	80500006206	BEARING,BALL	2				
13	36400095120	BEARING	2				
14	80602110520	RING,RITAINING	2		R52		
15	91206030005	SEAL,OIL	1				
16	90101206012	BOLT	1		M6X12		
17	36400095130	WASHER	1				
18	90191208020	BOLT	4		M8X20		
19	90191208014	BOLT	3		M8X14		
20	90302040801	WASHER,SPRING	7		8		
21	36400335030	SHIM	1				
22	90191210030	BOLT	4		M10X30		
23	36400095150	BOLT,STUD	4		M10X1.25/1.5X43		
24	90267201000	NUT	4		M10		
25	90302041001	WASHER,SPRING	8		10		
27	31790670100	SUPPORT	1				
28	90191208025	BOLT	2		M8X25		
50	36401340000	POWER TAKE OFF	1				
100	31790920000	POWER TAKE OFF	1				

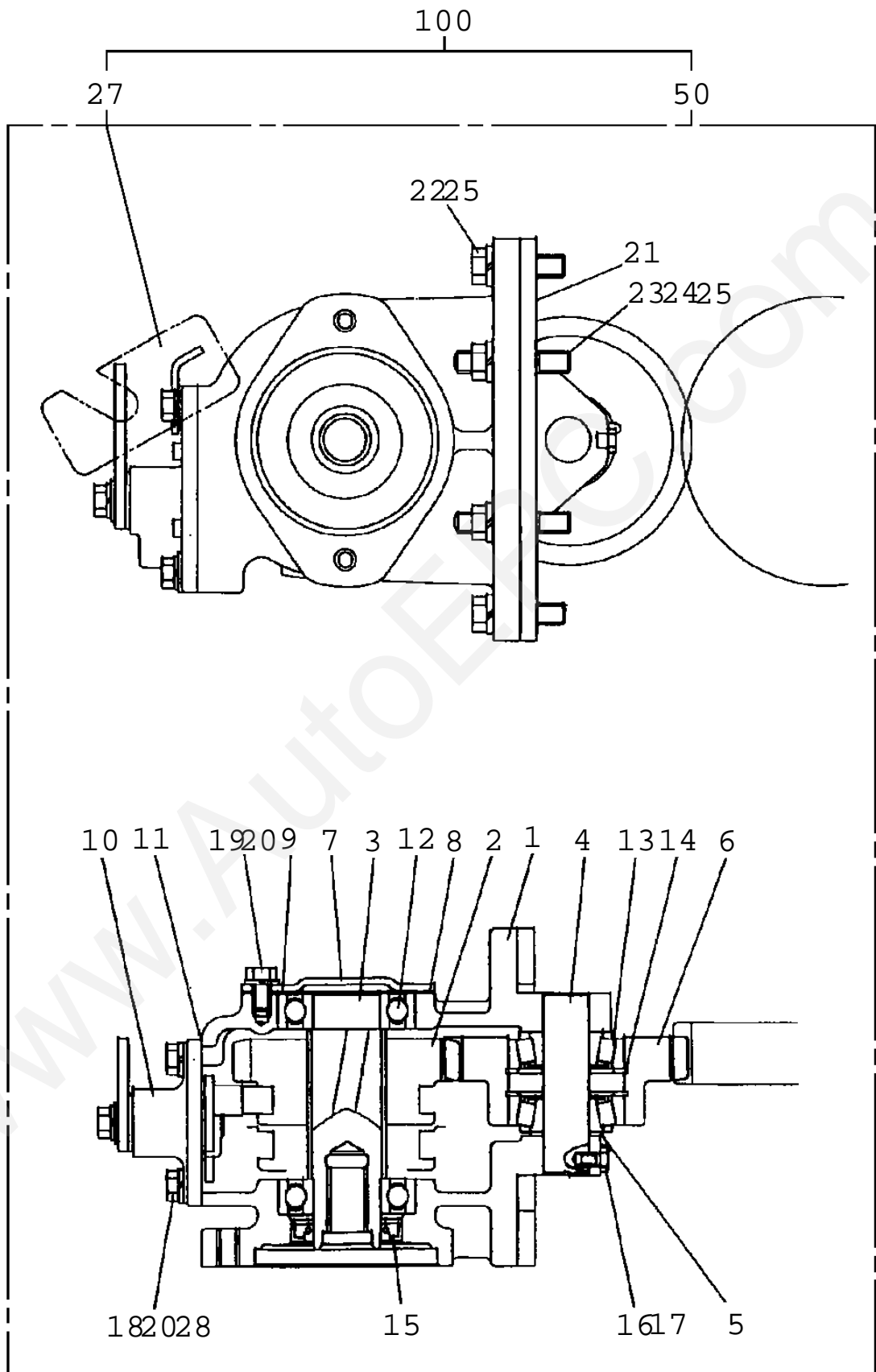
TM-ZE300 41044507044A FRAME/HOOK-IN(AWL)
PB1030137-02 POWER TAKE OFF



TM-ZE300 41044507044A FRAME/HOOK-IN(AWL)

Pos No.	Parts No	Parts Name	Qty	Unit	Technical Data	Serial No (Start)	Seri
1	36401365010	CASE	1				
2	36401355010	GEAR	1				
3	36401355020	SHAFT	1				
4	36400095040	SHAFT	1				
5	36400095050	COLLAR	1				
6	36401355030	GEAR	1				
7	36400095070	COVER (BEARING)	1				
8	36400095080	PACKING (COVER)	1				
9	36400095090	SHIM	1				
10	36400095100	SHIFTER ASSY	1				
11	36400095110	PACKING	1				
12	80500006206	BEARING,BALL	2				
13	36400095120	BEARING	2				
14	80602110520	RING,RITAINING	2		R52		
15	91206030005	SEAL,OIL	1				
16	90101206012	BOLT	1		M6X12		
17	36400095130	WASHER	1				
18	90191208020	BOLT	4		M8X20		
19	90191208014	BOLT	3		M8X14		
20	90302040801	WASHER,SPRING	7		8		
21	36400345010	SPACER	1				
22	36400335030	SHIM	1				
23	90191210035	BOLT	4		M10X35		
24	36401355040	BOLT	4				
25	90267201000	NUT	4		M10		
26	90302041001	WASHER,SPRING	8		10		
28	31790680100	SUPPORT	1				
29	90191208025	BOLT	2		M8X25		
50	36401350000	POWER TAKE OFF	1				
100	31790930000	POWER TAKE OFF	1				

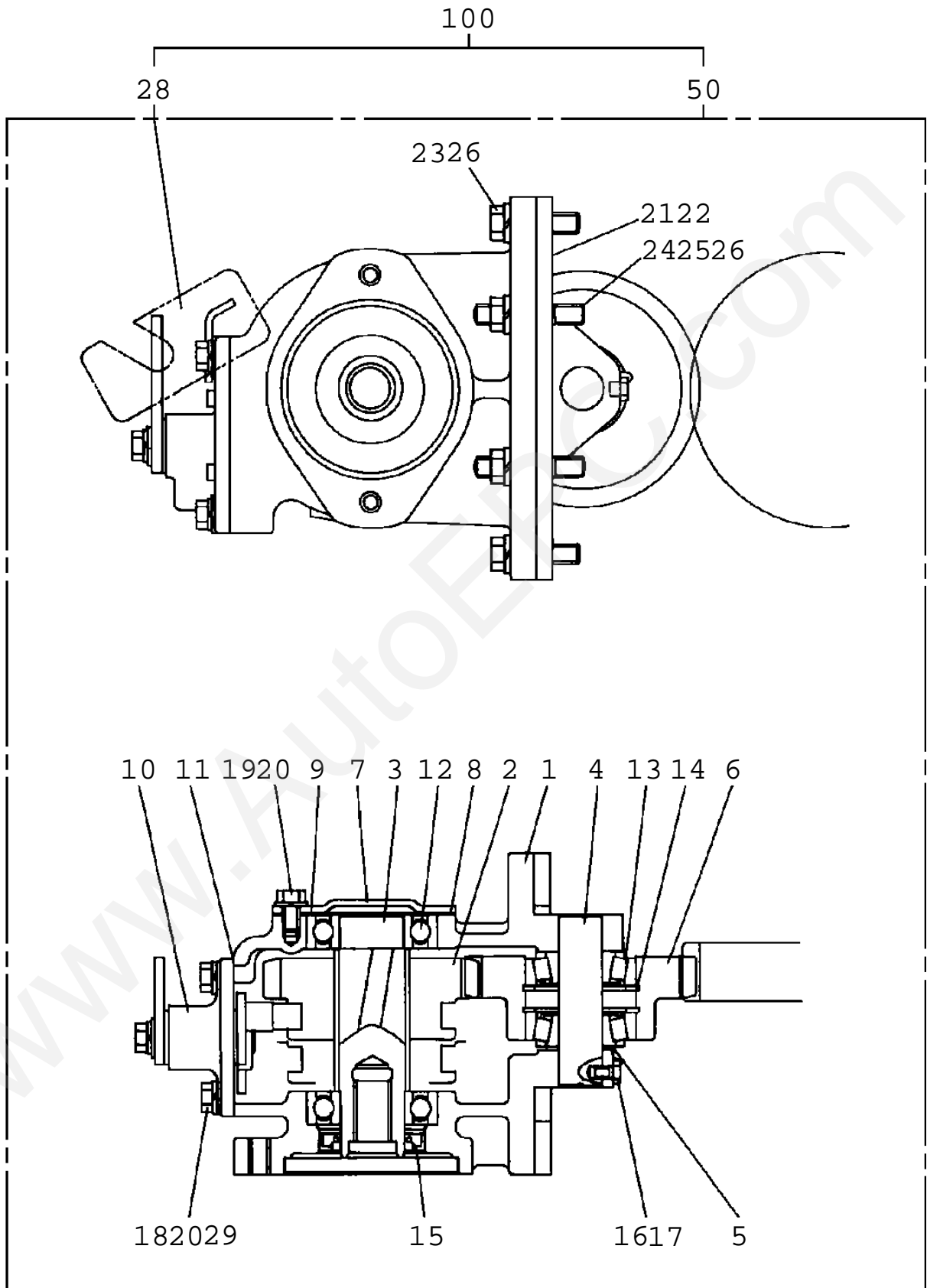
TM-ZE300 41044507044A FRAME/HOOK-IN(AWL)
PB1030138-01 POWER TAKE OFF



TM-ZE300 41044507044A FRAME/HOOK-IN(AWL)

Pos No.	Parts No	Parts Name	Qty	Unit	Technical Data	Serial No (Start)	Ser
1	36401365010	CASE	1				
2	36401365020	GEAR	1				
3	36400895030	SHAFT	1				
4	36400095040	SHAFT	1				
5	36400095050	COLLAR	1				
6	36401365030	GEAR	1				
7	36400095070	COVER (BEARING)	1				
8	36400095080	PACKING (COVER)	1				
9	36400095090	SHIM	1				
10	36400095100	SHIFTER ASSY	1				
11	36400095110	PACKING	1				
12	80500006206	BEARING,BALL	2				
13	36400095120	BEARING	2				
14	80602110520	RING,RITAINING	2		R52		
15	91206030005	SEAL,OIL	1				
16	90101206012	BOLT	1		M6X12		
17	36400095130	WASHER	1				
18	90191208020	BOLT	4		M8X20		
19	90191208014	BOLT	3		M8X14		
20	90302040801	WASHER,SPRING	7		8		
21	36400335030	SHIM	1				
22	90191210030	BOLT	4		M10X30		
23	36400095150	BOLT,STUD	4		M10X1.25/1.5X43		
24	90267201000	NUT	4		M10		
25	90302041001	WASHER,SPRING	8		10		
27	31790680100	SUPPORT	1				
28	90191208025	BOLT	2		M8X25		
50	36401360000	POWER TAKE OFF	1				
100	31790940000	POWER TAKE OFF	1				

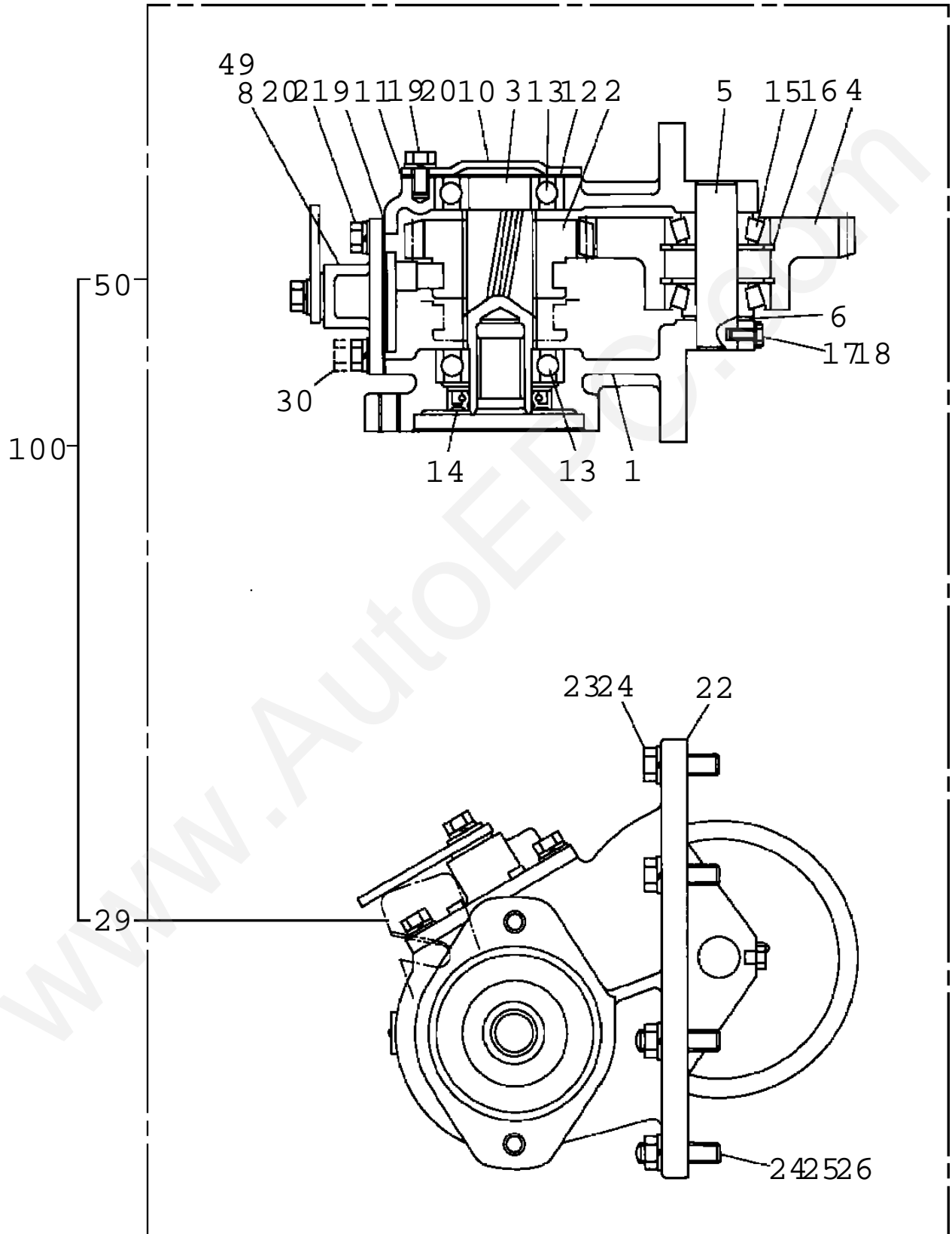
TM-ZE300 41044507044A FRAME/HOOK-IN(AWL)
PB1030142-02 POWER TAKE OFF



TM-ZE300 41044507044A FRAME/HOOK-IN(AWL)

Pos No.	Parts No	Parts Name	Qty	Unit	Technical Data	Serial No (Start)	Seri
1	36401365010	CASE	1				
2	36401385010	GEAR	1				
3	36400895030	SHAFT	1				
4	36400095040	SHAFT	1				
5	36400095050	COLLAR	1				
6	36401385020	GEAR	1				
7	36400095070	COVER (BEARING)	1				
8	36400095080	PACKING (COVER)	1				
9	36400095090	SHIM	1				
10	36400095100	SHIFTER ASSY	1				
11	36400095110	PACKING	1				
12	80500006206	BEARING,BALL	2				
13	36400095120	BEARING	2				
14	80602110520	RING,RITAINING	2		R52		
15	91206030005	SEAL,OIL	1				
16	90101206012	BOLT	1		M6X12		
17	36400095130	WASHER	1				
18	90191208020	BOLT	4		M8X20		
19	90191208014	BOLT	3		M8X14		
20	90302040801	WASHER,SPRING	7		8		
21	36400345010	SPACER	1				
22	36400335030	SHIM	1				
23	90191210035	BOLT	4		M10X35		
24	36401385030	BOLT	4				
25	90267201000	NUT	4		M10		
26	90302041001	WASHER,SPRING	8		10		
28	31790680100	SUPPORT	1				
29	90191208025	BOLT	1		M8X25		
50	36401380000	POWER TAKE OFF	1				
100	31790960000	POWER TAKE OFF	1				

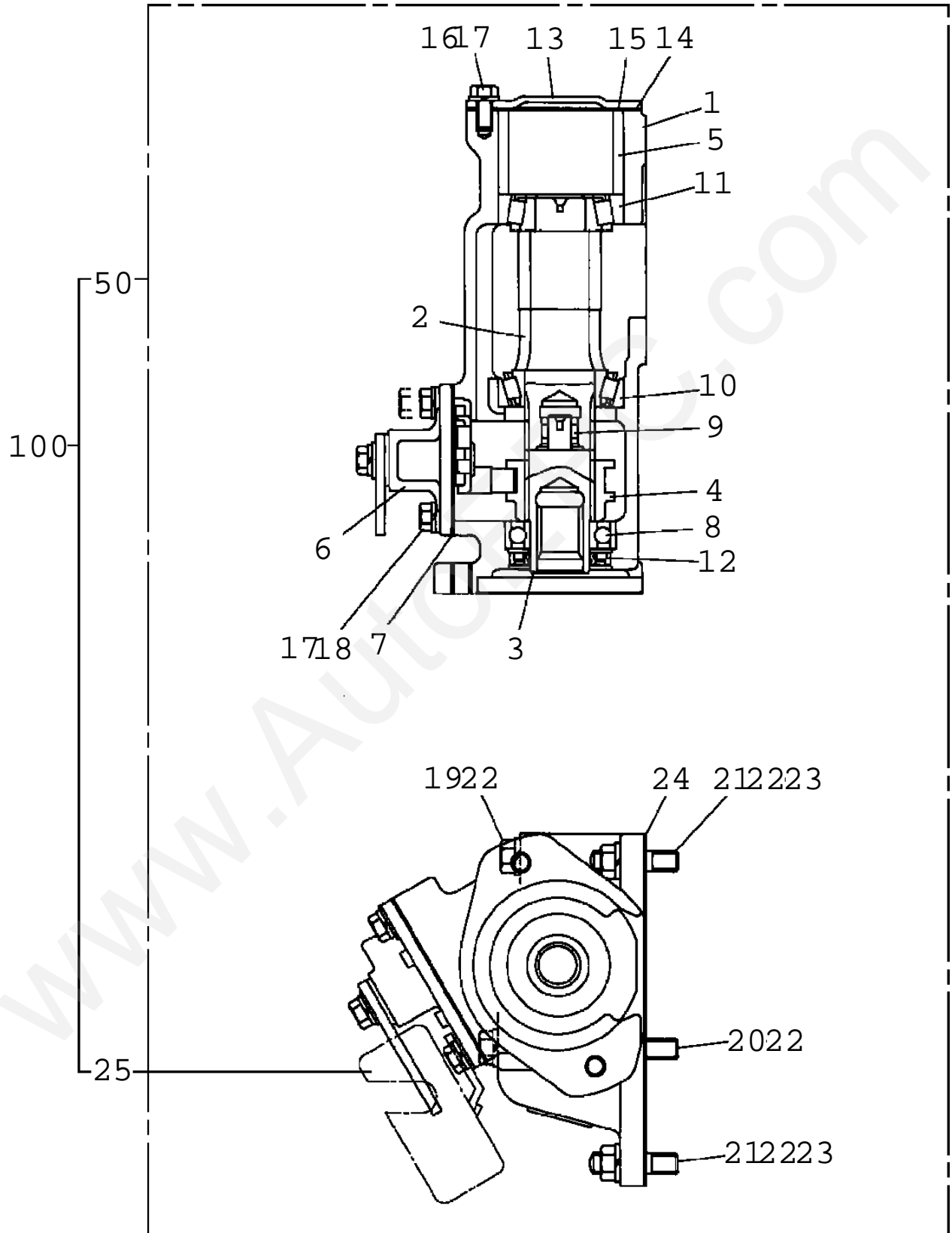
TM-ZE300 41044507044A FRAME/HOOK-IN(AWL)
PB1030145-02 POWER TAKE OFF



TM-ZE300 41044507044A FRAME/HOOK-IN(AWL)

Pos No.	Parts No	Parts Name	Qty	Unit	Technical Data	Serial No (Start)	Ser
1	36400905010	CASE	1				
2	36400905020	GEAR	1				
3	36400865030	SHAFT	1				
4	36400905030	GEAR	1				
5	36400095040	SHAFT	1				
6	36400095050	COLLAR	1				
8	36400225110	SHIFTER SET	1				
9	36400095110	PACKING	1				
10	36400095070	COVER (BEARING)	1				
11	36400095080	PACKING (COVER)	1				
12	36400095090	SHIM	1				
13	80500006206	BEARING,BALL	2				
14	91206030005	SEAL,OIL	1				
15	36400095120	BEARING	2				
16	80602110520	RING,RITAINING	2		R52		
17	36400095130	WASHER	12				
18	90101206012	BOLT	1		M6X12		
19	90191208014	BOLT	3		M8X14		
20	90302040801	WASHER,SPRING	7		8		
21	90191208020	BOLT	4		M8X20		
22	36400415100	PACKING (CASE)	1				
23	90191210030	BOLT	4		M10X30		
24	90302041001	WASHER,SPRING	8		10		
25	36400095150	BOLT,STUD	4		M10X1.25/1.5X43		
26	90267201000	NUT	4		M10		
29	31790910100	SUPPORT	1				
30	90191208025	BOLT	2		M8X25		
49	36400225160	SEAL,OIL	1				
50	36401410000	POWER TAKE OFF	1				
100	31790980000	POWER TAKE OFF	1				

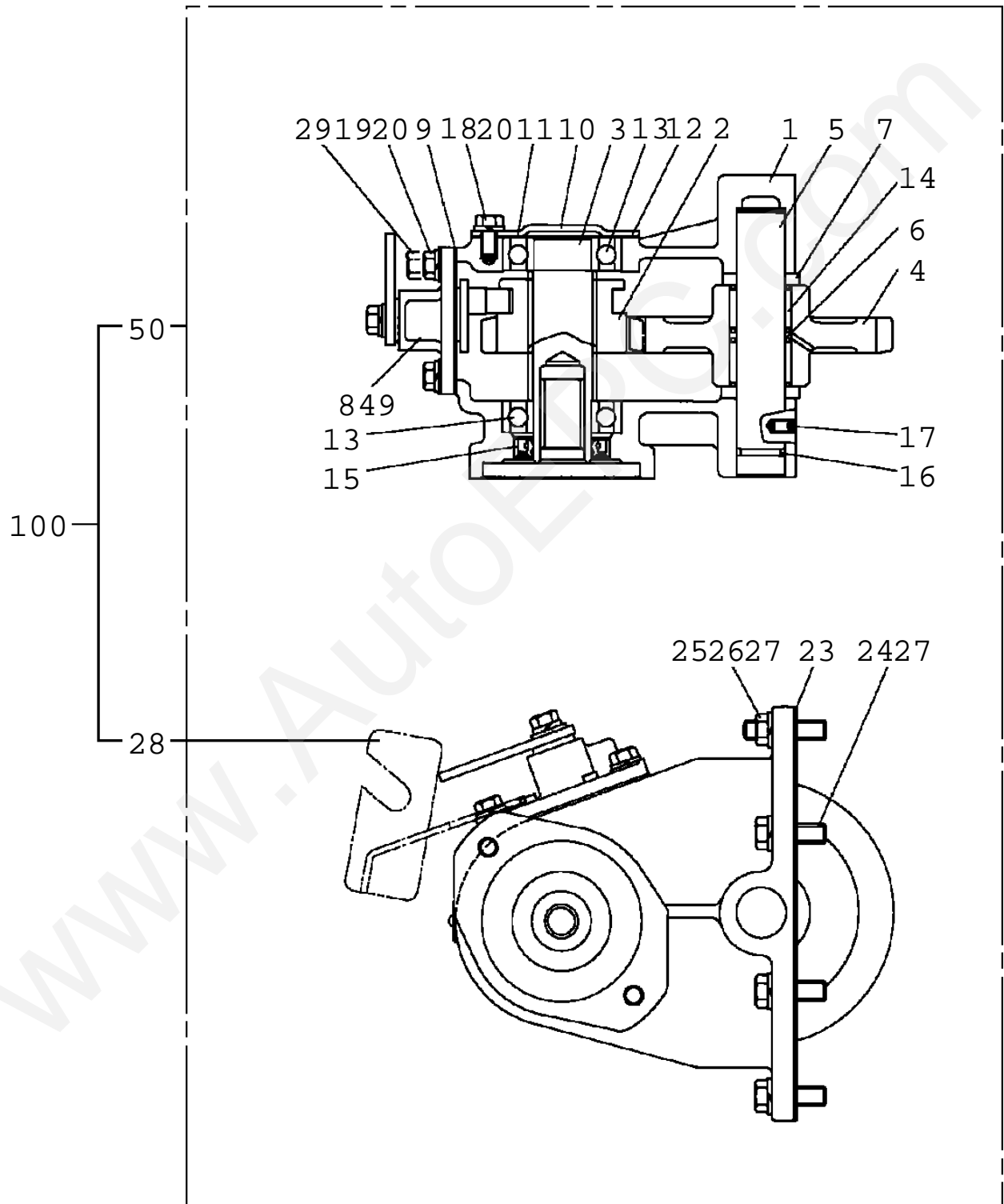
TM-ZE300 41044507044A FRAME/HOOK-IN(AWL)
PB1030146-01 POWER TAKE OFF



TM-ZE300 41044507044A FRAME/HOOK-IN(AWL)

Pos No.	Parts No	Parts Name	Qty	Unit	Technical Data	Serial No (Start)	Ser
1	36401425010	CASE	1				
2	36401425020	GEAR (TO)	1				
3	36400775010	SHAFT	1				
4	36401125040	SLEEVE	1				
5	36401135070	COLLAR	1				
6	36400095100	SHIFTER ASSY	1				
7	36400095110	PACKING	1				
8	80500006006	BEARING,BALL	1				
9	36400765050	BEARING,NEEDLE	1				
10	36401125080	BEARING,ROLLER	1				
11	36400765070	BEARING	1				
12	91206030005	SEAL,OIL	1				
13	36400095070	COVER (BEARING)	1				
14	36400095080	PACKING (COVER)	1				
15	36400095090	SHIM	N				
16	90191208014	BOLT	3		M8X14		
17	90302040801	WASHER,SPRING	7		8		
18	90191208020	BOLT	4		M8X20		
19	90191210080	BOLT	1		M10X80		
20	90191210090	BOLT	2		M10X90		
21	36400095150	BOLT,STUD	3		M10X1.25/1.5X43		
22	90302041001	WASHER,SPRING	6		10		
23	90267201000	NUT	3		M10		
24	36401125120	PACKING (CASE)	1				
25	31790770100	SUPPORT	1				
50	36401440000	POWER TAKE OFF	1				
100	31791000000	POWER TAKE OFF	1				

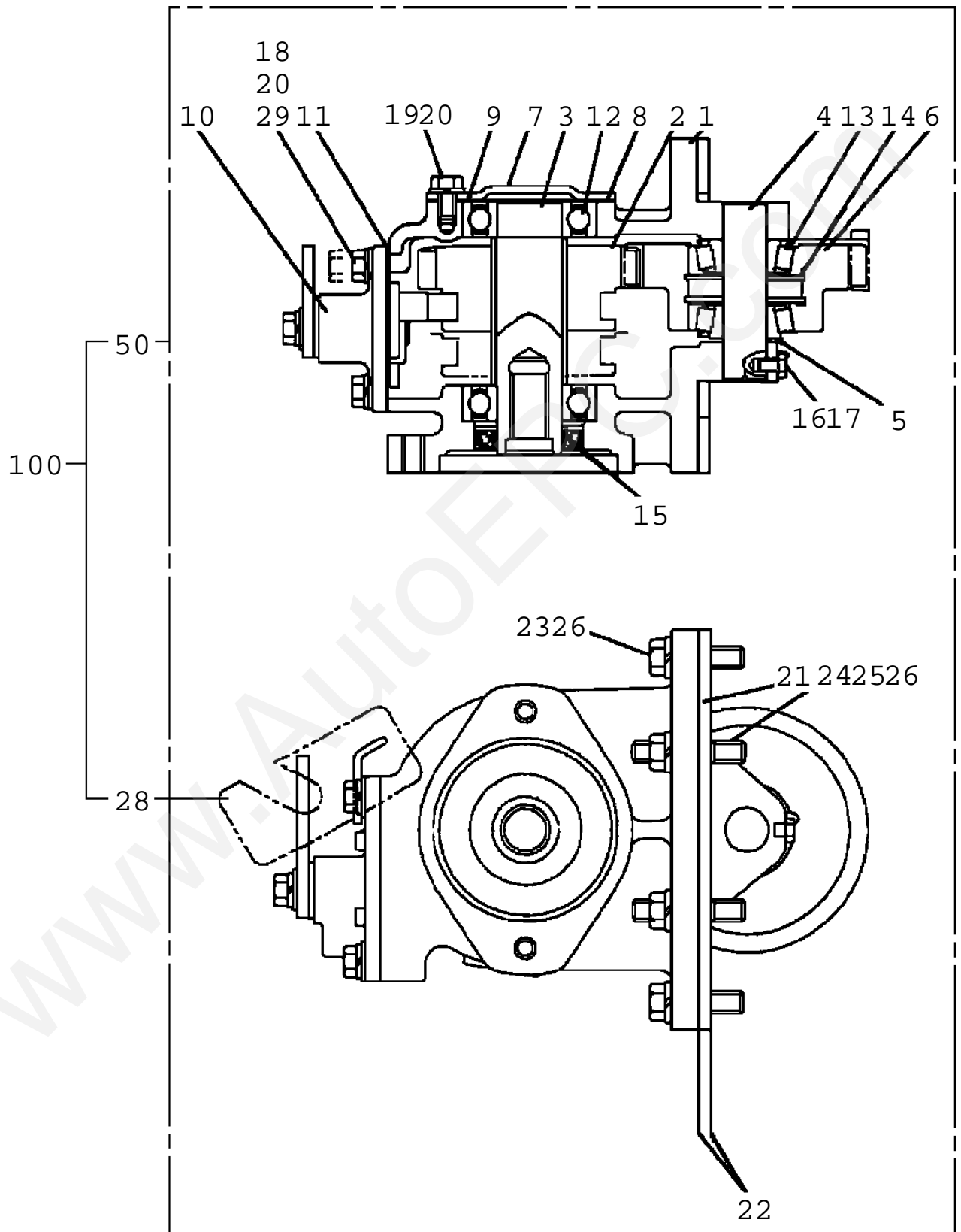
TM-ZE300 41044507044A FRAME/HOOK-IN(AWL)
PB1030147-02 POWER TAKE OFF



TM-ZE300 41044507044A FRAME/HOOK-IN(AWL)

Pos No.	Parts No	Parts Name	Qty	Unit	Technical Data	Serial No (Start)	Ser
1	36400895010	CASE	1				
2	36401115010	GEAR	1				
3	36400895030	SHAFT	1				
4	36401115020	GEAR	1				
5	36400415050	SHAFT	1				
6	36400415060	COLLAR	1				
7	36400215070	COLLAR	2				
8	36400225110	SHIFTER SET	1				
9	36400095110	PACKING	1				
10	36400095070	COVER (BEARING)	1				
11	36400095080	PACKING (COVER)	1				
12	36400095090	SHIM	N				
13	80500006206	BEARING, BALL	2				
14	36400415090	BEARING, NEEDLE	2				
15	91206030005	SEAL, OIL	1				
16	91001102100	O-RING	1		1A P21		
17	90710006120	SCREW, SET	1		M6X12		
18	90191208014	BOLT	3		M8X14		
19	90191208020	BOLT	4		M8X20		
20	90302040801	WASHER, SPRING	7		8		
23	36400415100	PACKING (CASE)	1				
24	90191210030	BOLT	6		M10X30		
25	36400095150	BOLT, STUD	2		M10X1.25/1.5X43		
26	90267201000	NUT	2		M10		
27	90302041001	WASHER, SPRING	8		10		
28	31790720100	SUPPORT	1				
29	90191208025	BOLT	2		M8X25		
49	36400225160	SEAL, OIL	1				
50	36401500000	POWER TAKE OFF	1				
100	31791020000	POWER TAKE OFF	1				

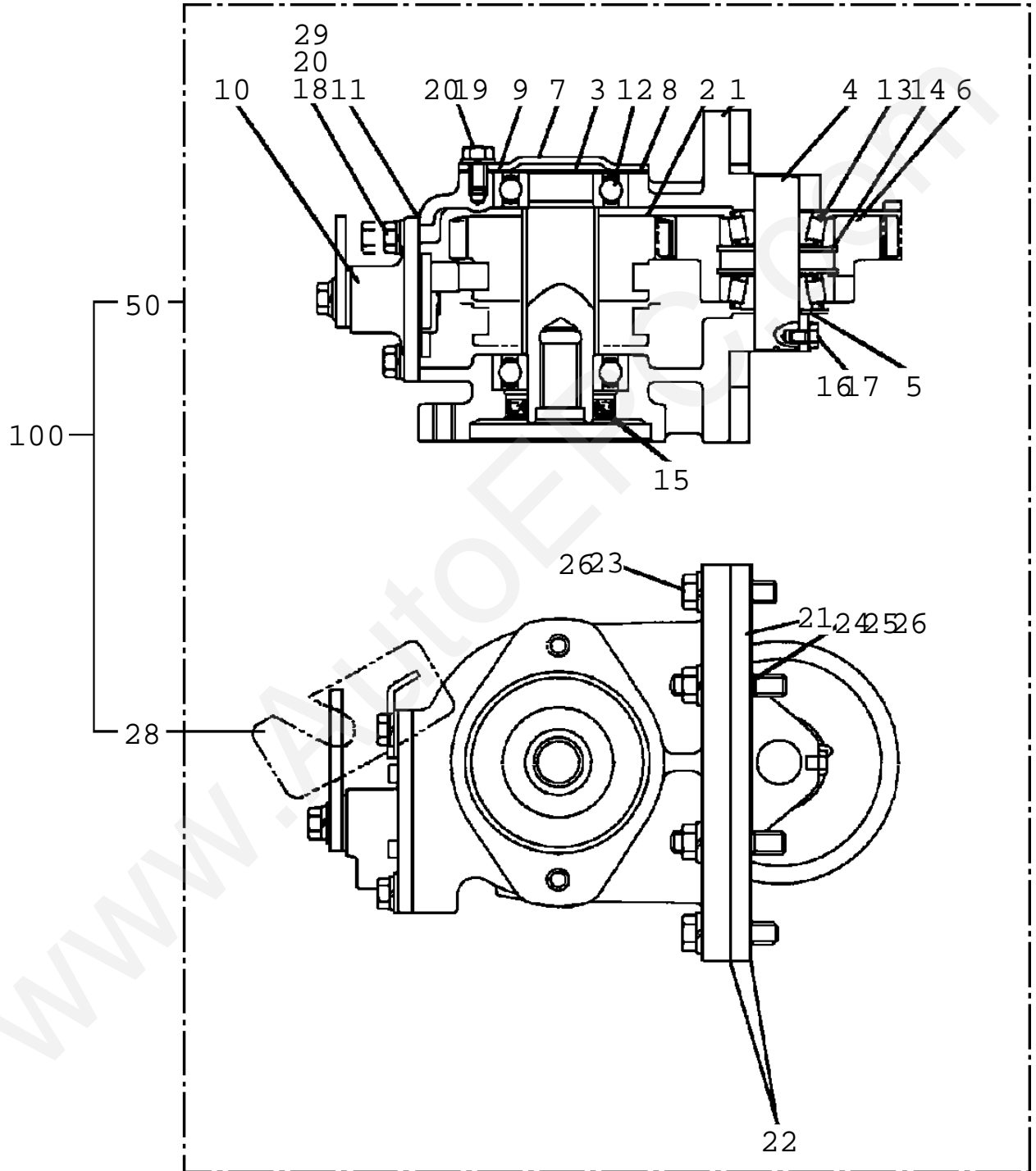
TM-ZE300 41044507044A FRAME/HOOK-IN(AWL)
PB1030157-01 POWER TAKE OFF



TM-ZE300 41044507044A FRAME/HOOK-IN(AWL)

Pos No.	Parts No	Parts Name	Qty	Unit	Technical Data	Serial No (Start)	Seri
1	36401545010	CASE	1				
2	36401545020	GEAR (TO)	1				
3	36401545030	SHAFT (TO)	1				
4	36400095040	SHAFT	1				
5	36400095050	COLLAR	1				
6	36401545080	GEAR	1				
7	36400095070	COVER (BEARING)	1				
8	36400095080	PACKING (COVER)	1				
9	36400095090	SHIM	N				
10	36400095100	SHIFTER ASSY	1				
11	36400095110	PACKING	1				
12	80500006206	BEARING,BALL	2				
13	36400095120	BEARING	2				
14	80602110520	RING,RITAINING	2		R52		
15	91206030005	SEAL,OIL	1				
16	90101206012	BOLT	1		M6X12		
17	36400095130	WASHER	1				
18	90191208020	BOLT	4		M8X20		
19	90191208014	BOLT	3		M8X14		
20	90302040801	WASHER,SPRING	7		8		
21	36401545040	SPACER	1				
22	36401545050	PACKING	2				
23	90191210035	BOLT	4		M10X35		
24	36401545060	BOLT	4				
25	90267201000	NUT	4		M10		
26	90302041001	WASHER,SPRING	8		10		
28	31790680100	SUPPORT	1				
29	90191208025	BOLT	2		M8X25		
50	36401540000	POWER TAKE OFF	1				
100	31792040000	POWER TAKE OFF	1				

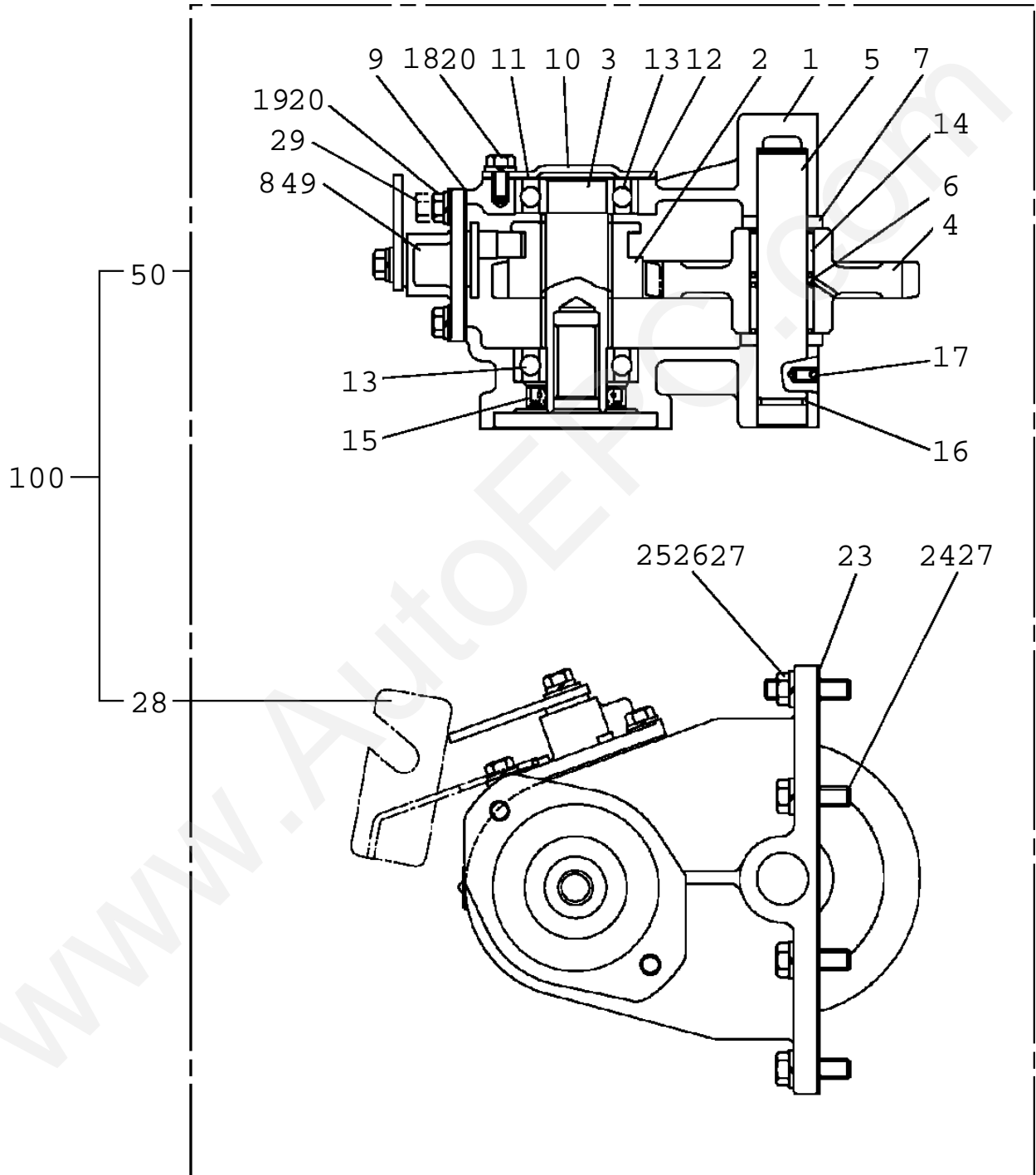
TM-ZE300 41044507044A FRAME/HOOK-IN(AWL)
PB1030159-01 POWER TAKE OFF



TM-ZE300 41044507044A FRAME/HOOK-IN(AWL)

Pos No.	Parts No	Parts Name	Qty	Unit	Technical Data	Serial No (Start)	Seri
1	36401545010	CASE	1				
2	36401545020	GEAR (TO)	1				
3	36401545030	SHAFT (TO)	1				
4	36400095040	SHAFT	1				
5	36400095050	COLLAR	1				
6	36401545080	GEAR	1				
7	36400095070	COVER (BEARING)	1				
8	36400095080	PACKING (COVER)	1				
9	36400095090	SHIM	N				
10	36400095100	SHIFTER ASSY	1				
11	36400095110	PACKING	1				
12	80500006206	BEARING,BALL	2				
13	36400095120	BEARING	2				
14	80602110520	RING,RITAINING	2		R52		
15	91206030005	SEAL,OIL	1				
16	90101206012	BOLT	1		M6X12		
17	36400095130	WASHER	1				
18	90191208020	BOLT	4		M8X20		
19	90191208014	BOLT	3		M8X14		
20	90302040801	WASHER,SPRING	7		8		
21	36401545040	SPACER	1				
22	36401545050	PACKING	2				
23	90191210035	BOLT	4		M10X35		
24	36401545060	BOLT	4				
25	90267201000	NUT	4		M10		
26	90302041001	WASHER,SPRING	8		10		
28	31790880100	SUPPORT	1				
29	90191208025	BOLT	2		M8X25		
50	36401560000	POWER TAKE OFF	1				
100	31792050000	POWER TAKE OFF	1				

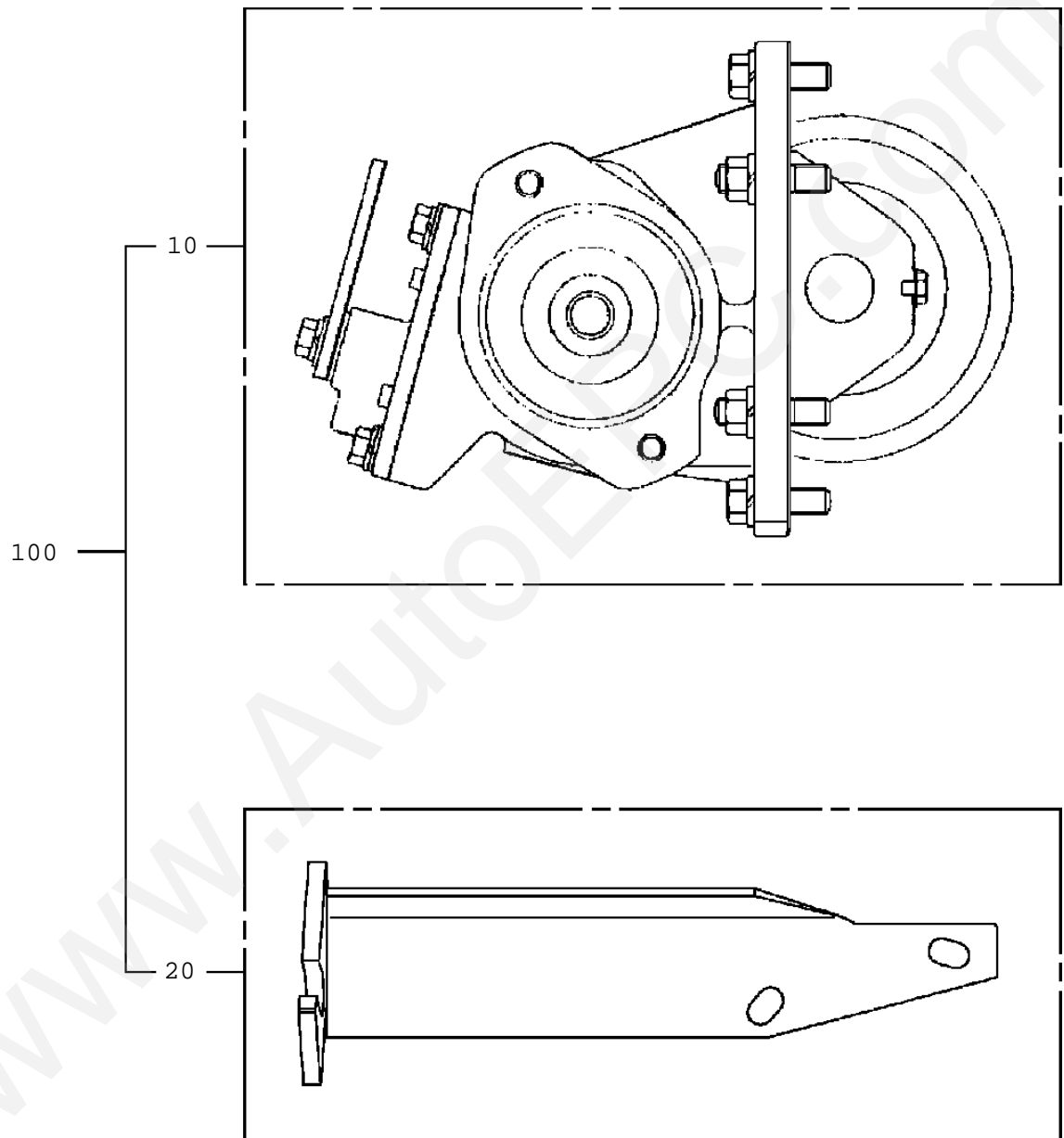
TM-ZE300 41044507044A FRAME/HOOK-IN(AWL)
PB1030175-01 POWER TAKE OFF



TM-ZE300 41044507044A FRAME/HOOK-IN(AWL)

Pos No.	Parts No	Parts Name	Qty	Unit	Technical Data	Serial No (Start)	Ser
1	36400895010	CASE	1				
2	36401115010	GEAR	1				
3	36400895030	SHAFT	1				
4	36401115020	GEAR	1				
5	36400415050	SHAFT	1				
6	36400415060	COLLAR	1				
7	36400215070	COLLAR	2				
8	36400225110	SHIFTER SET	1				
9	36400095110	PACKING	1				
10	36400095070	COVER (BEARING)	1				
11	36400095080	PACKING (COVER)	1				
12	36400095090	SHIM	N				
13	80500006206	BEARING, BALL	2				
14	36400415090	BEARING, NEEDLE	2				
15	91206030005	SEAL, OIL	1				
16	91001102100	O-RING	1		1A P21		
17	90710006120	SCREW, SET	1		M6X12		
18	90191208014	BOLT	3		M8X14		
19	90191208020	BOLT	4		M8X20		
20	90302040801	WASHER, SPRING	7		8		
23	36400415100	PACKING (CASE)	1				
24	90191210030	BOLT	6		M10X30		
25	36400095150	BOLT, STUD	2		M10X1.25/1.5X43		
26	90267201000	NUT	2		M10		
27	90302041001	WASHER, SPRING	8		10		
28	31790870100	SUPPORT	1				
29	90191208025	BOLT	2		M8X25		
49	36400225160	SEAL, OIL	1				
50	36401500001	POWER TAKE OFF	1				
100	31791270000	POWER TAKE OFF	1				

TM-ZE300 41044507044A FRAME/HOOK-IN(AWL)
PB1030186-02 POWER TAKE OFF

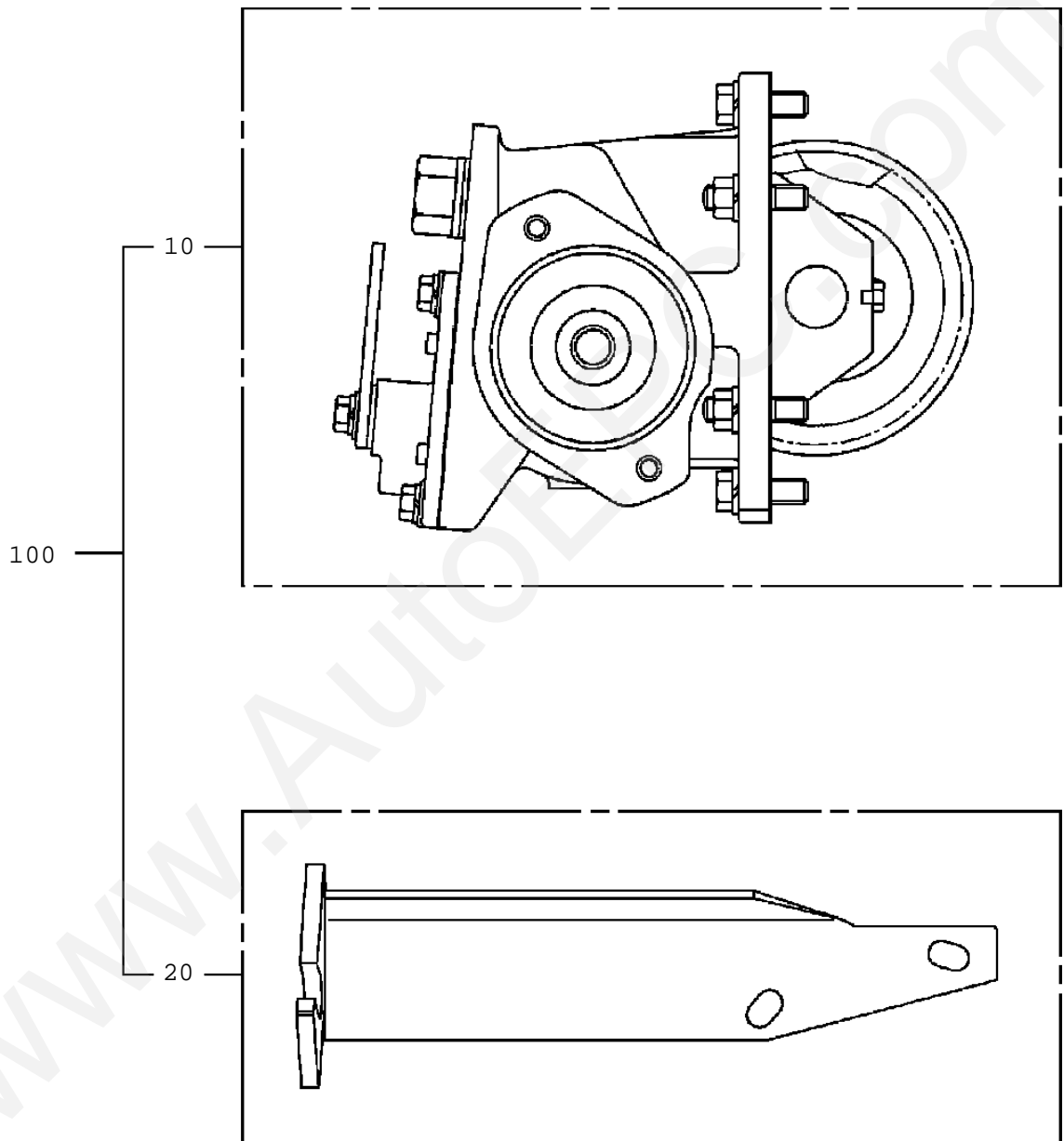


TM-ZE300 41044507044A FRAME/HOOK-IN(AWL)

Pos No.	Parts No	Parts Name	Qty	Unit	Technical Data	Serial No (Start)	Serial No (End)
10	36401840001	POWER TAKE OFF	1				
20	31791060100	SUPPORT	1				
100	31791060000	POWER TAKE OFF	1				

www.AutoEPC.com

TM-ZE300 41044507044A FRAME/HOOK-IN(AWL)
PB1030189-02 POWER TAKE OFF

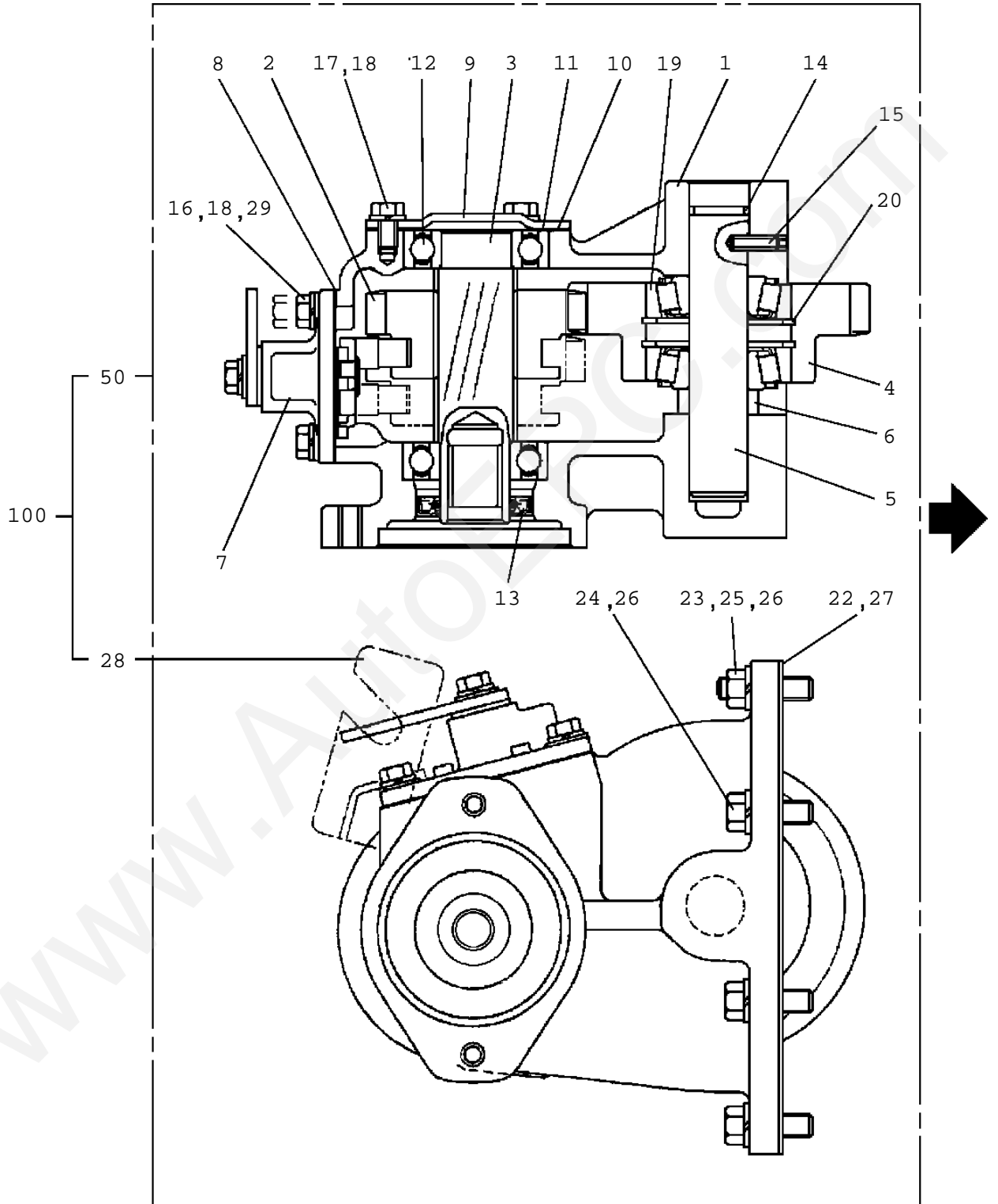


TM-ZE300 41044507044A FRAME/HOOK-IN(AWL)

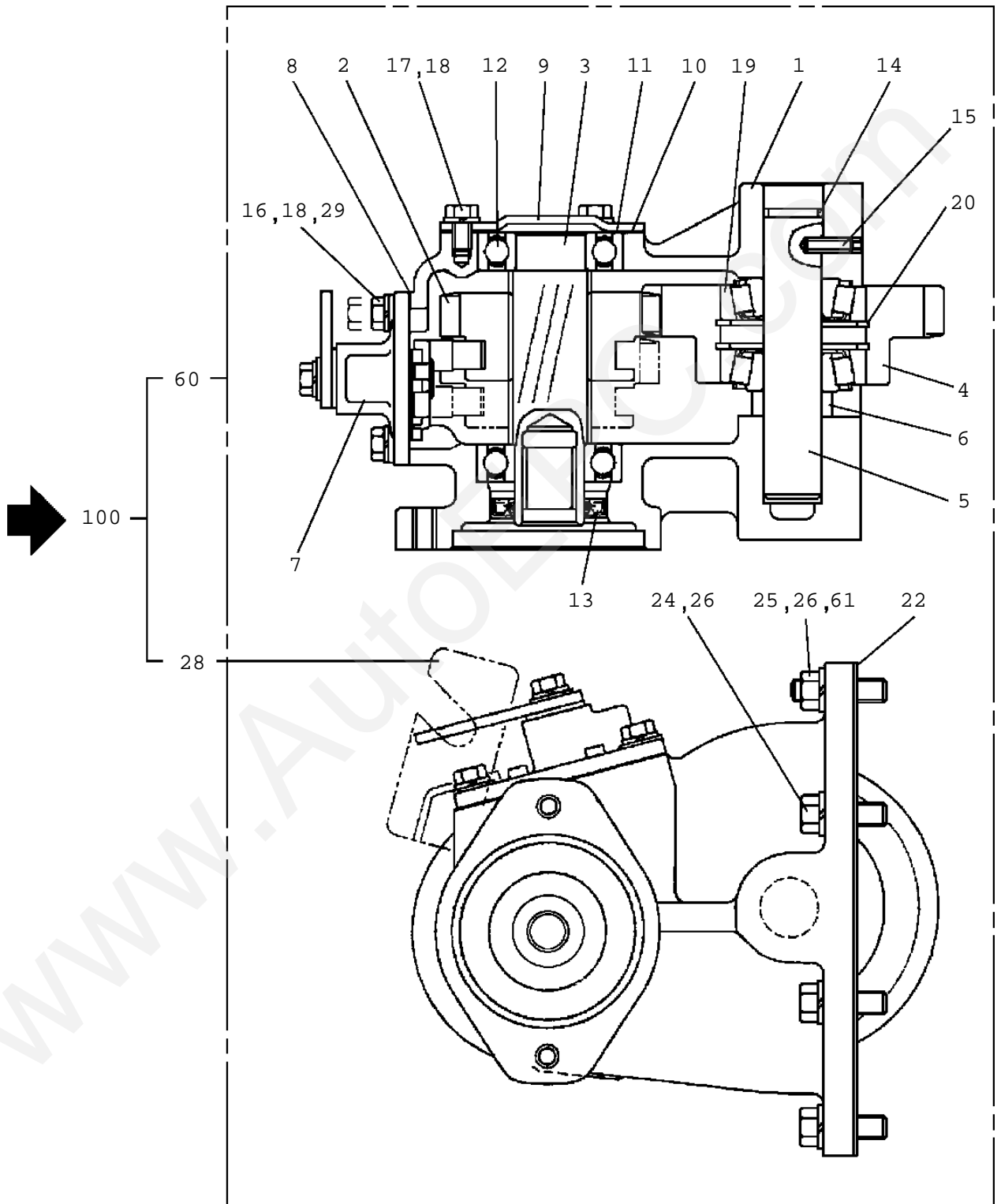
Pos No.	Parts No	Parts Name	Qty	Unit	Technical Data	Serial No (Start)	Serial No (End)
10	36401840001	POWER TAKE OFF	1				
20	31791140100	SUPPORT	1				
100	31791140000	POWER TAKE OFF	1				

www.AutoEPC.com

TM-ZE300 41044507044A FRAME/HOOK-IN(AWL)
PB1030208-01 POWER TAKE OFF



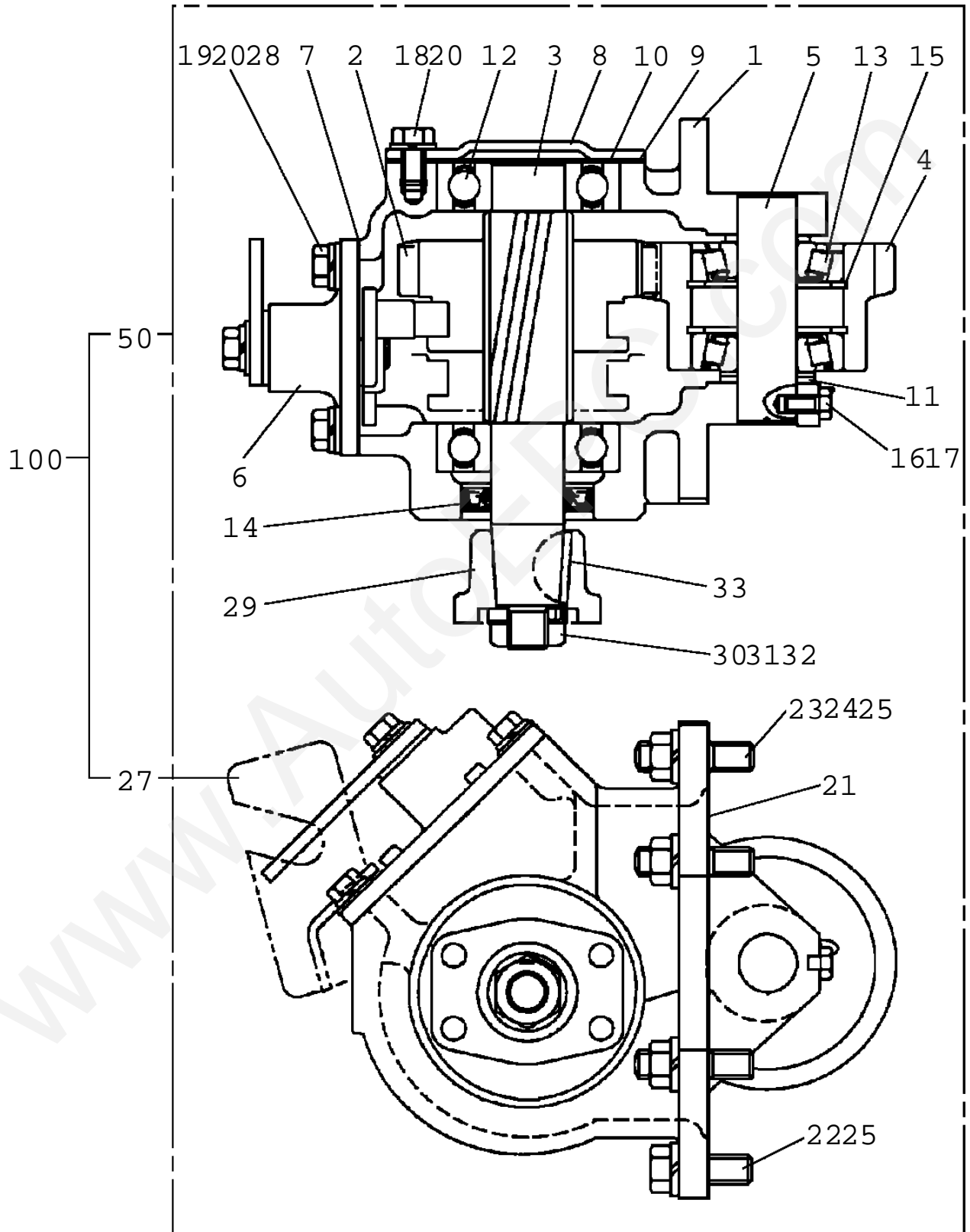
TM-ZE300 41044507044A FRAME/HOOK-IN(AWL)
PB1030208-01 POWER TAKE OFF



TM-ZE300 41044507044A FRAME/HOOK-IN(AWL)

Pos No.	Parts No	Parts Name	Qty	Unit	Technical Data	Serial No (Start)
1	36401895070	CASE	1			
2	36401885020	GEAR	1			
3	36400915030	SHAFT	1			
4	36401885030	GEAR	1			
5	36400415050	SHAFT	1			
6	36400675030	COLLAR	1			
7	36400095100	SHIFTER ASSY	1			
8	36400095110	PACKING	1			
9	36400095070	COVER (BEARING)	1			
10	36400095080	PACKING (COVER)	1			
11	36400095090	SHIM	N			
12	80500006206	BEARING,BALL	2			
13	91206030005	SEAL,OIL	1			
14	91001102100	O-RING	1		1A P21	
15	90710006200	SCREW,SET	1		M6X20	
16	90191208020	BOLT	4		M8X20	
17	90191208014	BOLT	3		M8X14	
18	90302040801	WASHER,SPRING	7		8	
19	36400135070	BEARING	2			
20	80602110620	RING,RITAINING	2		R62	
22	36401885050	PACKING	1			
24	90191210030	BOLT	6		M10X30	
25	90267201000	NUT	2		M10	
26	90302041001	WASHER,SPRING	8		10	
28	31790670100	SUPPORT	1			
29	90191208025	BOLT	2		M8X25	
60	36402100000	POWER TAKE OFF ASSY	1			
61	36401695040	BOLT,STUD	2		M10X1.25/1.5X47	
100	31791240000	POWER TAKE OFF	1			

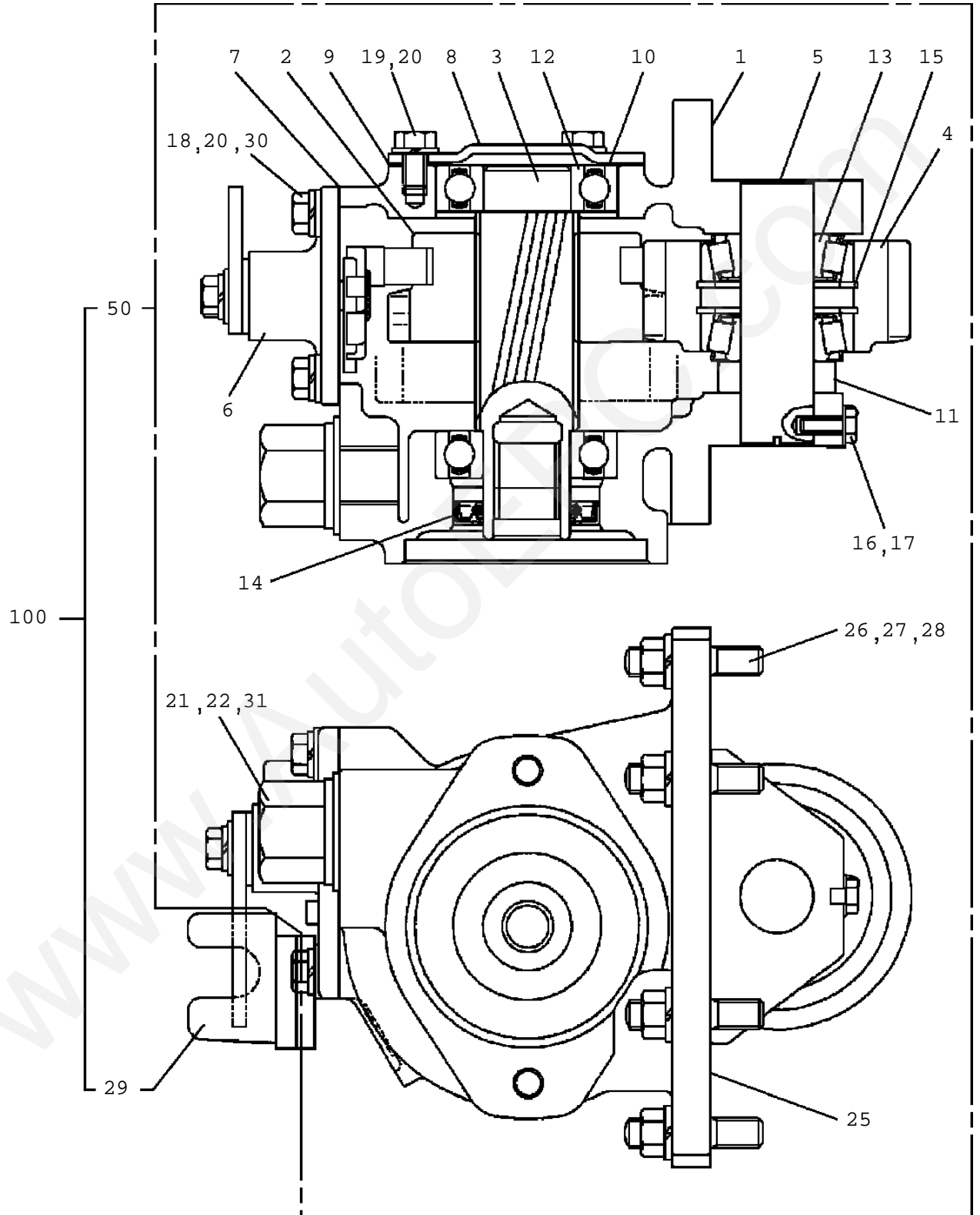
TM-ZE300 41044507044A FRAME/HOOK-IN(AWL)
PB1030213-00 POWER TAKE OFF



TM-ZE300 41044507044A FRAME/HOOK-IN(AWL)

Pos No.	Parts No	Parts Name	Qty	Unit	Technical Data	Serial No (Start)	Seri
1	36401405010	CASE	1				
2	36400455020	GEAR	1				
3	36401405020	SHAFT	1				
4	36400455040	GEAR	1				
5	36400095040	SHAFT	1				
6	36400095100	SHIFTER ASSY	1				
7	36400095110	PACKING	1				
8	36400095070	COVER (BEARING)	1				
9	36400095080	PACKING (COVER)	1				
10	36400095090	SHIM	N				
11	36400095050	COLLAR	1				
12	80500006305	BEARING,BALL	2				
13	36400095120	BEARING	2				
14	91216025003	SEAL,OIL	1				
15	80602110520	RING,RITAINING	2		R52		
16	90101206012	BOLT	1		M6X12		
17	36400095130	WASHER	1				
18	90191208014	BOLT	3		M8X14		
19	90191208020	BOLT	4		M8X20		
20	90302040801	WASHER,SPRING	7		8		
21	36400055070	PACKING	1				
22	90193210025	BOLT	3		M10X25		
23	36400195030	BOLT,STUD	3				
24	90267201000	NUT	3		M10		
25	90302041001	WASHER,SPRING	6		10		
27	31790710100	SUPPORT	1				
28	90191208025	BOLT	2		M8X25		
29	36401405100	COUPLING	1				
30	31790545020	NUT	1				
31	31790545030	WASHER	1				
32	31790545040	WASHER	1				
33	36401975030	KEY	1		7X25		
50	36401400000	POWER TAKE OFF	1				
100	31792010000	POWER TAKE OFF	1				

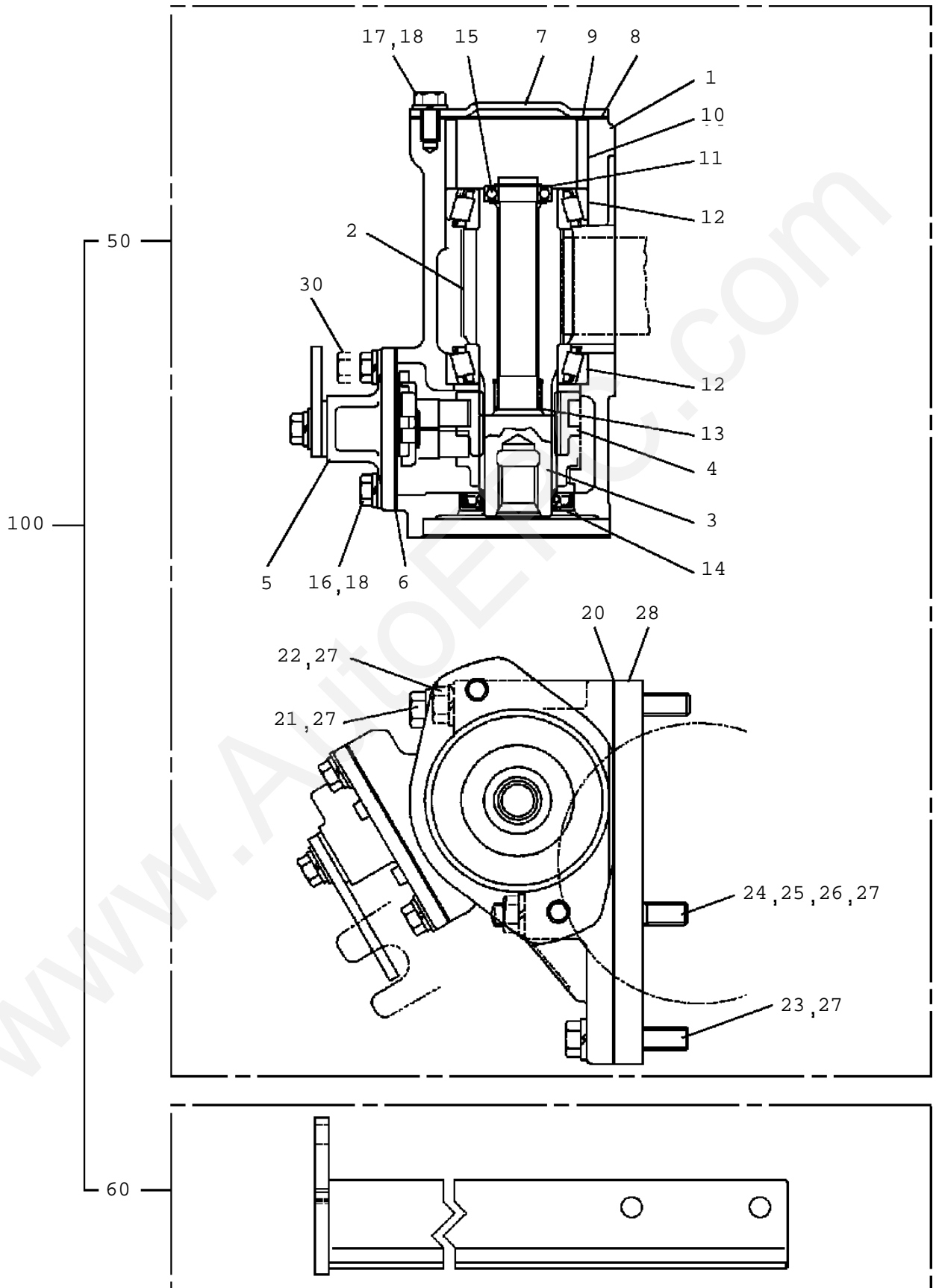
TM-ZE300 41044507044A FRAME/HOOK-IN(AWL)
PB1030233-00 POWER TAKE OFF



TM-ZE300 41044507044A FRAME/HOOK-IN(AWL)

Pos No.	Parts No	Parts Name	Qty	Unit	Technical Data	Serial No (Start)
1	36400845060	CASE	1			
2	36402465010	GEAR	1			
3	36400845030	SHAFT	1			
4	36402465020	GEAR	1			
5	36400395050	SHAFT	1			
6	36400095100	SHIFTER ASSY	1			
7	36400095110	PACKING	1			
8	36400095070	COVER (BEARING)	1			
9	36400095080	PACKING (COVER)	1			
10	36400095090	SHIM	N			
11	36400675030	COLLAR	1			
12	80500006206	BEARING,BALL	2			
13	36400675050	BEARING	2			
14	91206030005	SEAL,OIL	1			
15	80602110520	RING,RITAINING	2		R52	
16	36400095150	BOLT,STUD	1		M10X1.25/1.5X43	
17	90101206015	BOLT	1		M6X15	
18	90191208020	BOLT	4		M8X20	
19	90191208014	BOLT	3		M8X14	
20	90302040801	WASHER,SPRING	7		8	
21	36401025060	PLUG	1			
22	36401025070	WASHER,PLAIN	1			
25	36401025100	PACKING	1			
26	36401695040	BOLT,STUD	6		M10X1.25/1.5X47	
27	90267201000	NUT	6		M10	
28	90302041001	WASHER,SPRING	6		10	
29	31790770100	SUPPORT	1			
30	90191208025	BOLT	2		M8X25	
31	36401025120	NUT (REINFORCER)	1			
50	36402460000	POWER TAKE OFF ASSY	1			
100	31792360000	POWER TAKE OFF	1			

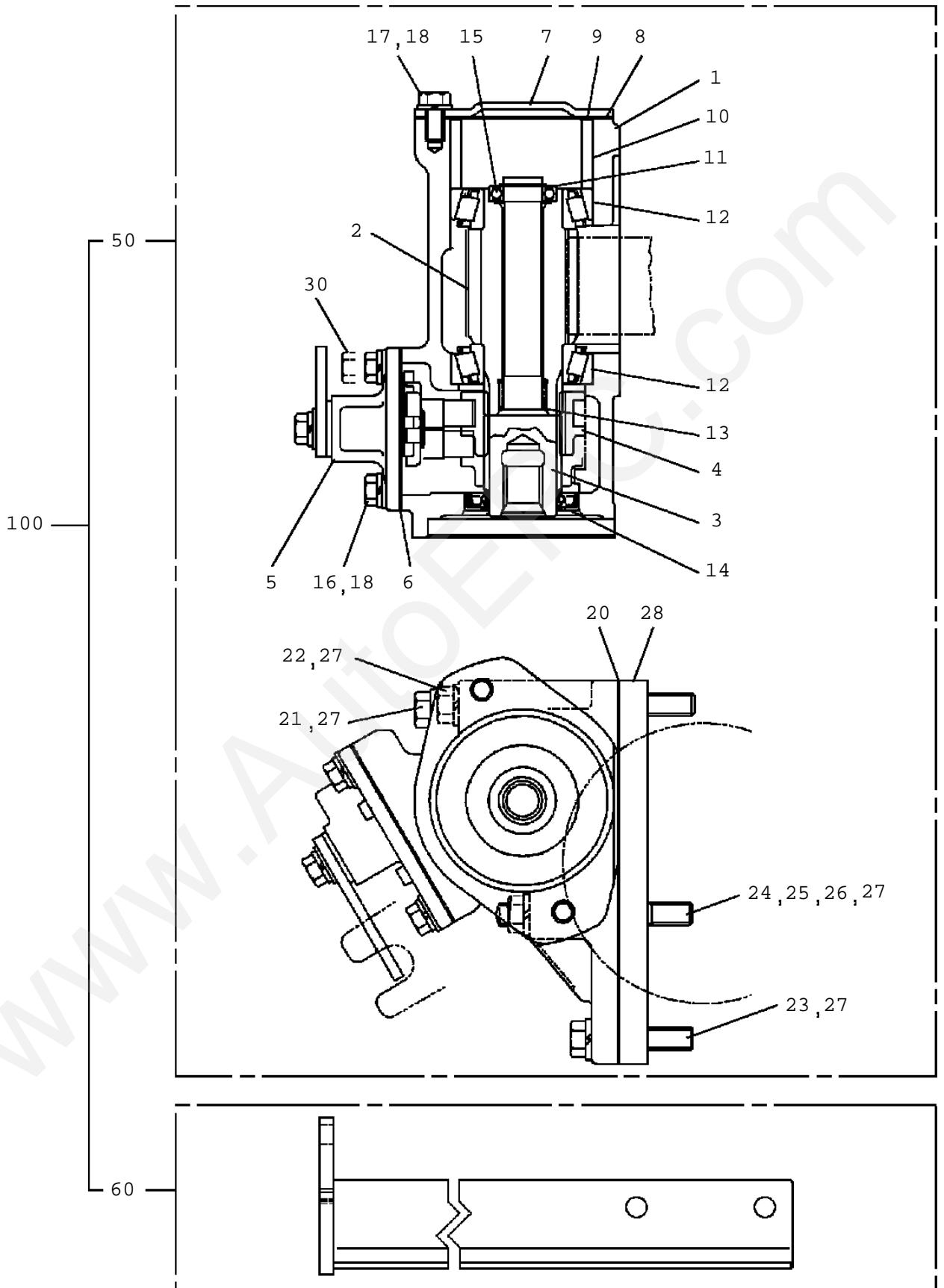
TM-ZE300 41044507044A FRAME/HOOK-IN(AWL)
PB1030234-00 POWER TAKE OFF



TM-ZE300 41044507044A FRAME/HOOK-IN(AWL)

Pos No.	Parts No	Parts Name	Qty	Unit	Technical Data	Serial No (Start)
1	36402470510	CASE	1			
2	36402470520	GEAR	1			
3	36402470530	SHAFT	1			
4	36401125040	SLEEVE	1			
5	36401125050	SHIFTER SET	1			
6	36400095110	PACKING	1			
7	36400095070	COVER (BEARING)	1			
8	36400095080	PACKING (COVER)	1			
9	36400095090	SHIM	N			
10	36402470540	COLLAR	1			
11	80500006903	BEARING, BALL	1			
12	36401125080	BEARING, ROLLER	2			
13	36401125090	BEARING, NEEDLE	1			
14	91206030005	SEAL, OIL	1			
15	36401125100	RING, RETAINING	1			
16	90191208020	BOLT	4		M8X20	
17	90191208014	BOLT	3		M8X14	
18	90302040801	WASHER, SPRING	7		8	
20	36402015020	PACKING	2			
21	36402035040	BOLT	1		M10X1.5X120	
22	36402035050	BOLT	1		M10X1.5X110	
23	90191210050	BOLT	2		M10X50	
24	36402035010	BOLT, STUD	1			
25	36402035020	BOLT, STUD	1			
26	90267201000	NUT	2		M10	
27	90302041001	WASHER, SPRING	6		10	
28	36402470550	SPACER	1			
30	90191208025	BOLT	2		M8X25	
50	36402470000	POWER TAKE OFF ASSY	1			
60	31790990100	SUPPORT	1			
100	31792370000	POWER TAKE OFF	1			

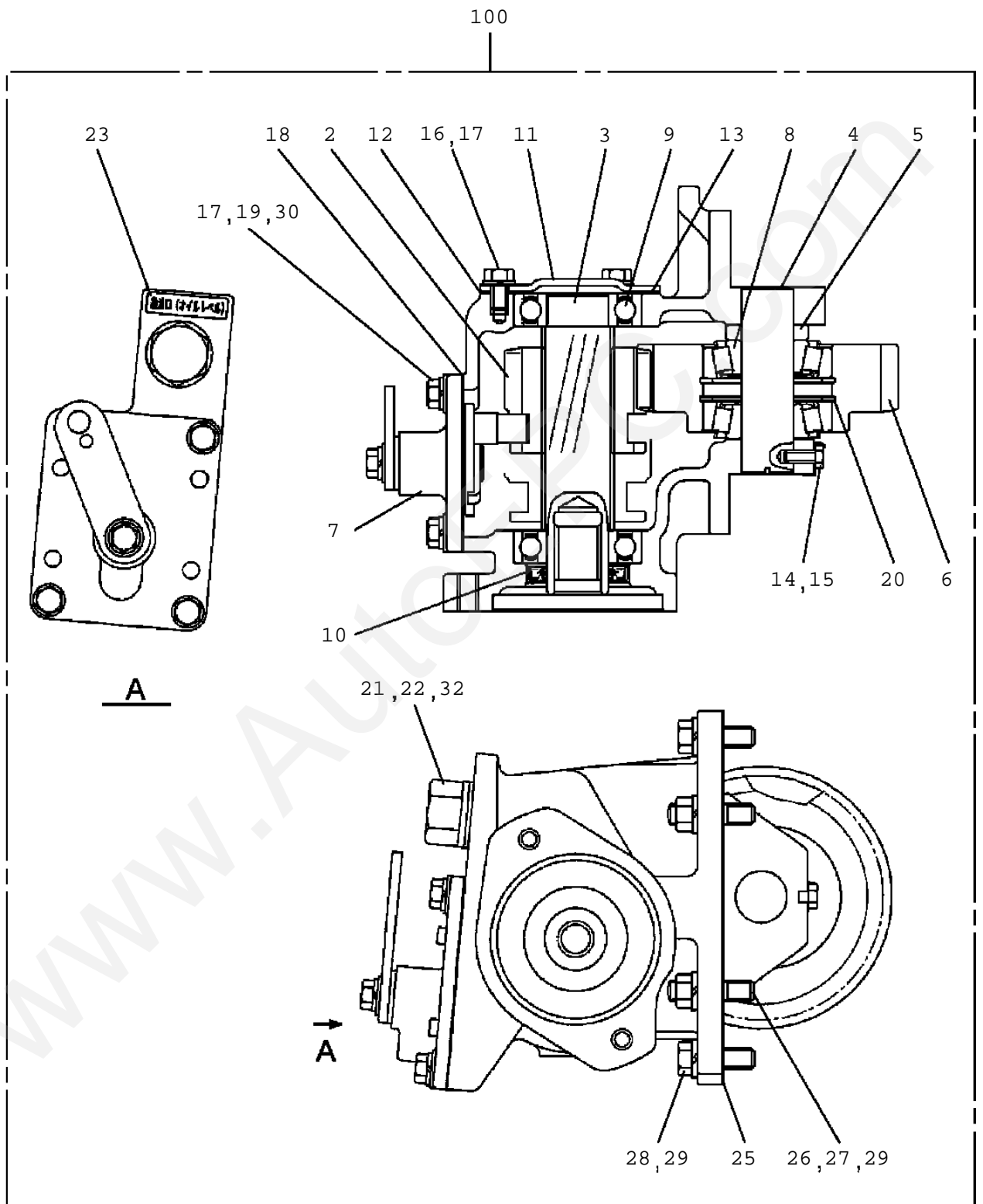
TM-ZE300 41044507044A FRAME/HOOK-IN(AWL)
PB1030235-00 POWER TAKE OFF



TM-ZE300 41044507044A FRAME/HOOK-IN(AWL)

Pos No.	Parts No	Parts Name	Qty	Unit	Technical Data	Serial No (Start)
1	36402470510	CASE	1			
2	36402470520	GEAR	1			
3	36402480510	SHAFT	1			
4	36401125040	SLEEVE	1			
5	36401125050	SHIFTER SET	1			
6	36400095110	PACKING	1			
7	36400095070	COVER (BEARING)	1			
8	36400095080	PACKING (COVER)	1			
9	36400095090	SHIM	N			
10	36402470540	COLLAR	1			
11	80500006903	BEARING, BALL	1			
12	36401125080	BEARING, ROLLER	2			
13	36401125090	BEARING, NEEDLE	1			
14	91206030005	SEAL, OIL	1			
15	36401125100	RING, RETAINING	1			
16	90191208020	BOLT	4		M8X20	
17	90191208014	BOLT	3		M8X14	
18	90302040801	WASHER, SPRING	7		8	
20	36402015020	PACKING	2			
21	36402035040	BOLT	1		M10X1.5X120	
22	36402035050	BOLT	1		M10X1.5X110	
23	90191210050	BOLT	2		M10X50	
24	36402035010	BOLT, STUD	1			
25	36402035020	BOLT, STUD	1			
26	90267201000	NUT	2		M10	
27	90302041001	WASHER, SPRING	6		10	
28	36402470550	SPACER	1			
30	90191208025	BOLT	2		M8X25	
50	36402480000	POWER TAKE OFF ASSY	1			
60	31790990100	SUPPORT	1			
100	31792380000	POWER TAKE OFF	1			

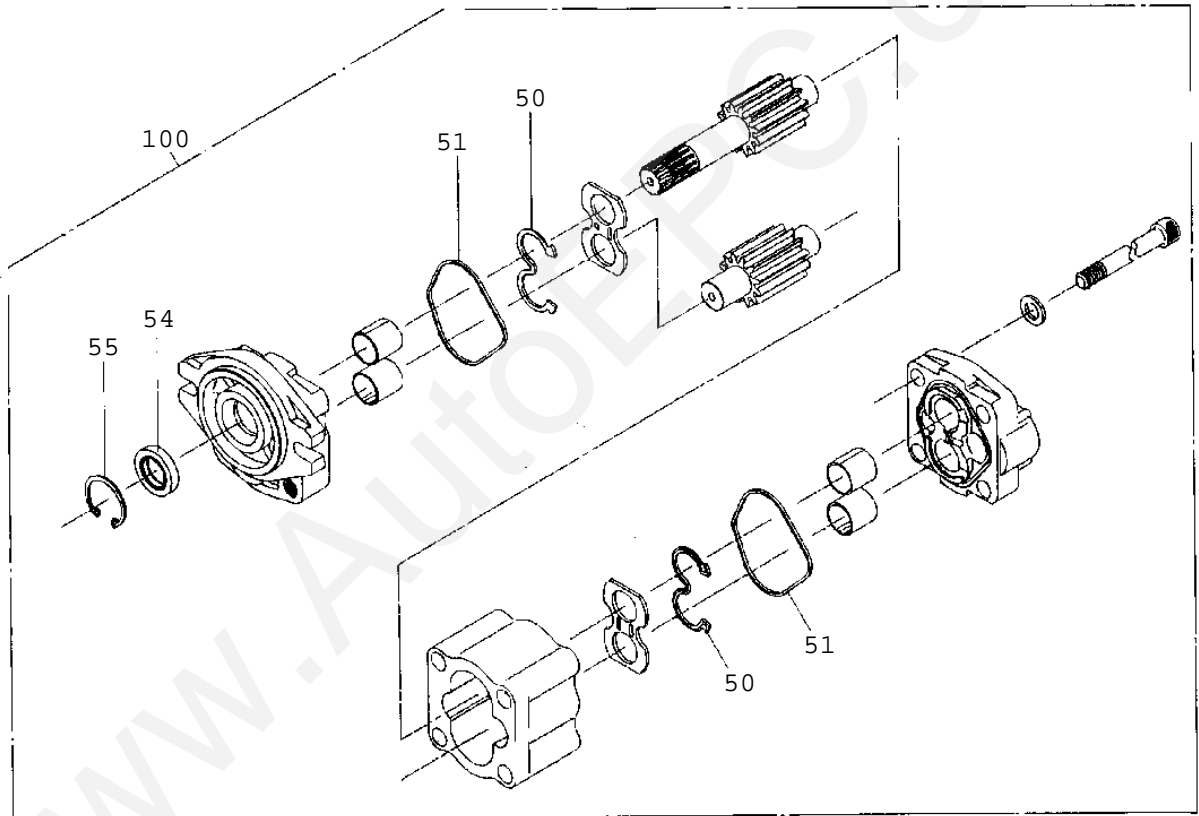
TM-ZE300 41044507044A FRAME/HOOK-IN(AWL)
PB1030236-00 POWER TAKE OFF



TM-ZE300 41044507044A FRAME/HOOK-IN(AWL)

Pos No.	Parts No	Parts Name	Qty	Unit	Technical Data	Serial No (Start)	Se
2	36401675020	GEAR	1				
3	36401675030	SHAFT	1				
4	36400395050	SHAFT	1				
5	36401675040	COLLAR	1				
6	36401675050	GEAR	1				
7	36401675060	SHIFTER SET	1				
8	36400135070	BEARING	2				
9	80500006206	BEARING,BALL	2				
10	91206030005	SEAL,OIL	1				
11	36400095070	COVER (BEARING)	1				
12	36400095080	PACKING (COVER)	1				
13	36400095090	SHIM	N				
14	90101206015	BOLT	1		M6X15		
15	36400095130	WASHER	1				
16	90191208014	BOLT	3		M8X14		
17	90302040801	WASHER,SPRING	7		8		
18	36400995080	PACKING	1				
19	90191208020	BOLT	4		M8X20		
20	80602110620	RING,RITAINING	2		R62		
21	36401025060	PLUG	1				
22	36401025070	WASHER,PLAIN	1				
23	36401025090	PLATE,NAME	1				
25	36401675080	SHIM	N				
26	36400095150	BOLT,STUD	4		M10X1.25/1.5X43		
27	90267201000	NUT	4		M10		
28	90191210030	BOLT	4		M10X30		
29	90302041001	WASHER,SPRING	8		10		
30	90191208025	BOLT	2		M8X25		
32	36401025120	NUT (REINFORCER)	1				
100	36401840001	POWER TAKE OFF	1				

TM-ZE300 41044507044A FRAME/HOOK-IN(AWL)
PB1100099-00 PUMP, HYDRAULIC (LEFT, SPLINE 13)

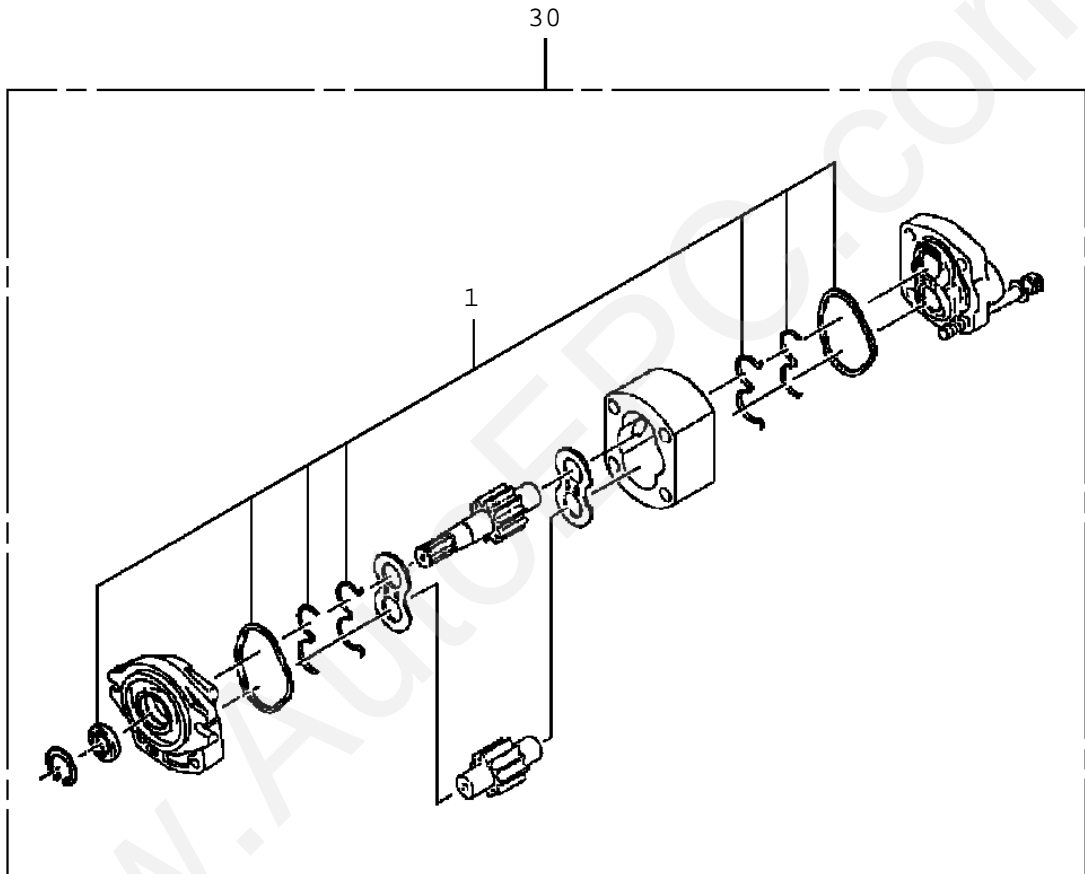


TM-ZE300 41044507044A FRAME/HOOK-IN(AWL)

Pos No.	Parts No	Parts Name	Qty	Unit	Technical Data	Serial
50	36652335010	GASKET	2			
51	36652335020	GASKET	2			
54	53063551010	SEAL,OIL	1			
55	80602110360	RING,RITAINING	1		R36	
100	36652900000	PUMP,HYDRAULIC (LEFT,SPLINE 13)	1			

www.AutoEPC.com

TM-ZE300 41044507044A FRAME/HOOK-IN(AWL)
PB1100144-02 PUMP, HYDRAULIC

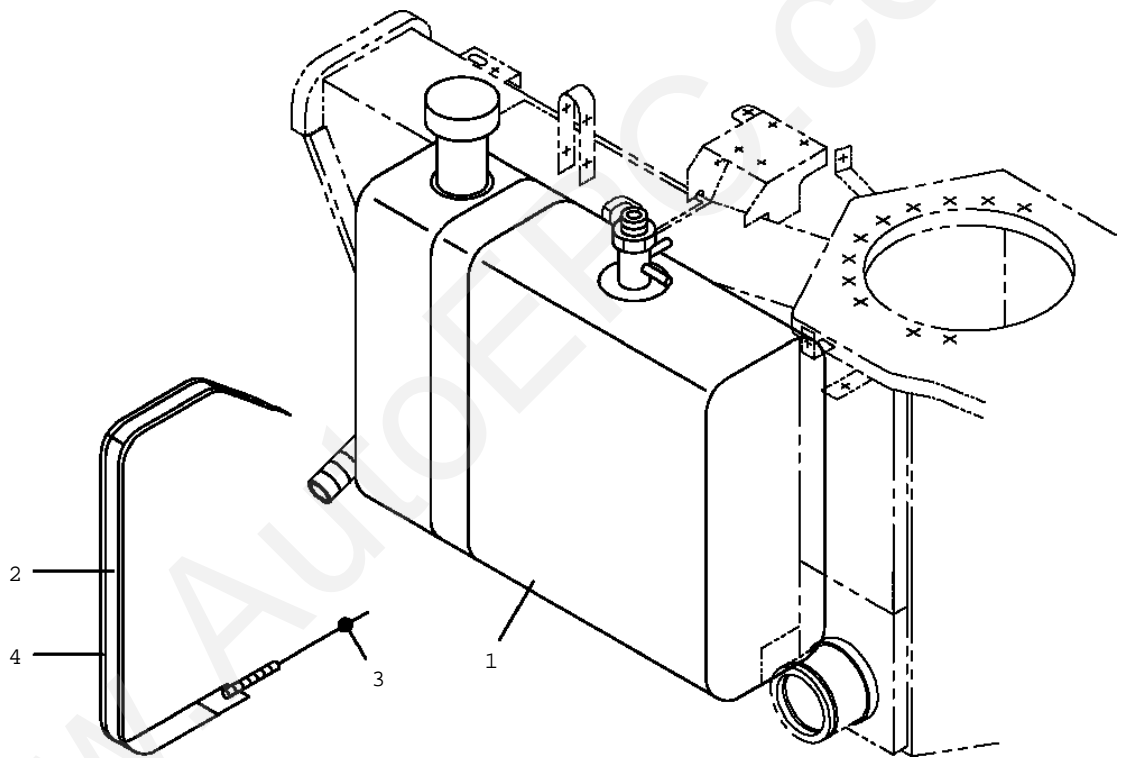


TM-ZE300 41044507044A FRAME/HOOK-IN(AWL)

Pos No.	Parts No	Parts Name	Qty	Unit	Technical Data	Serial No (Start)	Serial No (End)
1	36651645010	SEAL KIT	1				
30	36653330000	PUMP, HYDRAULIC	1				

www.AutoEPC.com

TM-ZE300 41044507044A FRAME/HOOK-IN(AWL)
PB1130196-01 TANK,OIL (MOUNT)

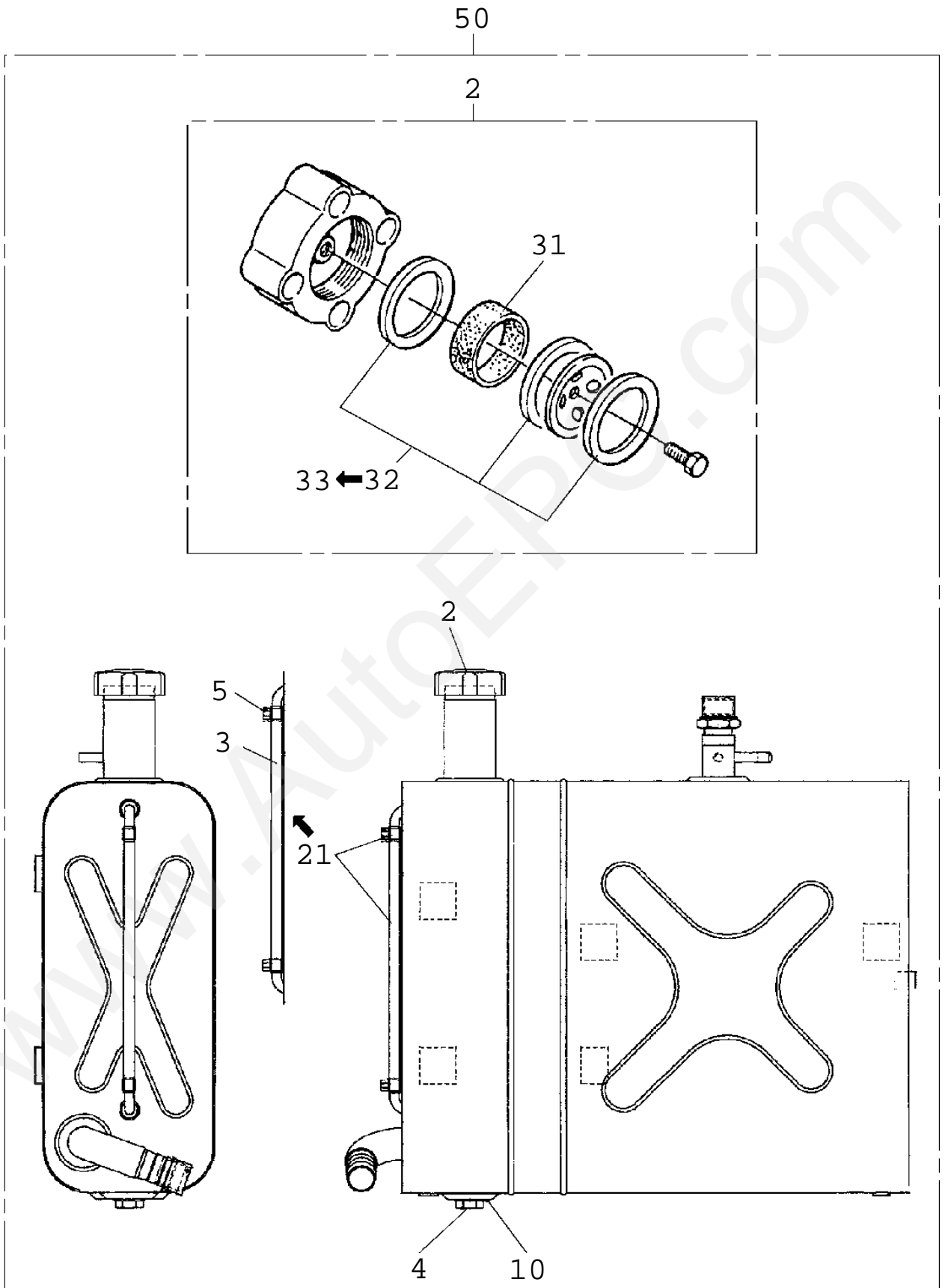


TM-ZE300 41044507044A FRAME/HOOK-IN(AWL)

Pos No.	Parts No	Parts Name	Qty	Unit	Technical Data	Serial No (Start)	Serial No
1	36102490000	TANK,OIL	1				
2	31660530100	BAND	1				
3	90201201000	NUT	2		M10		
4	31660530200	CUSHION	1				

www.AutoEPC.com

TM-ZE300 41044507044A FRAME/HOOK-IN(AWL)
PB1130198-01 TANK,OIL

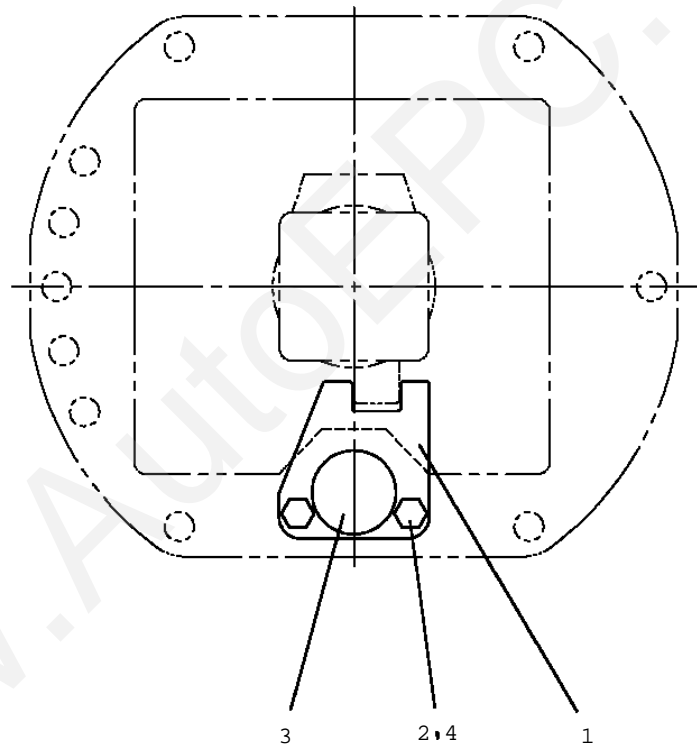


TM-ZE300 41044507044A FRAME/HOOK-IN(AWL)

Pos No.	Parts No	Parts Name	Qty	Unit	Technical Data	Serial No (St
2	36101895020	BREATHER ASSY (OB-10B)	1			
3	36102635010	GAUGE,OIL	1			
4	36102075020	PLUG	1			
5	91803880070	CLIP	2		D=13.1-16.2	
10	36102075030	WASHER,SEAL	1			
31	53156005010	ELEMENT (OB-10T & OB-10B)	1			
33	36101895030	RETAINER ASSY	1			
50	36102490000	TANK,OIL	1			

www.AutoEPC.com

TM-ZE300 41044507044A FRAME/HOOK-IN(AWL)
PB1290011-00 STOPPER,ROTARY JOINT

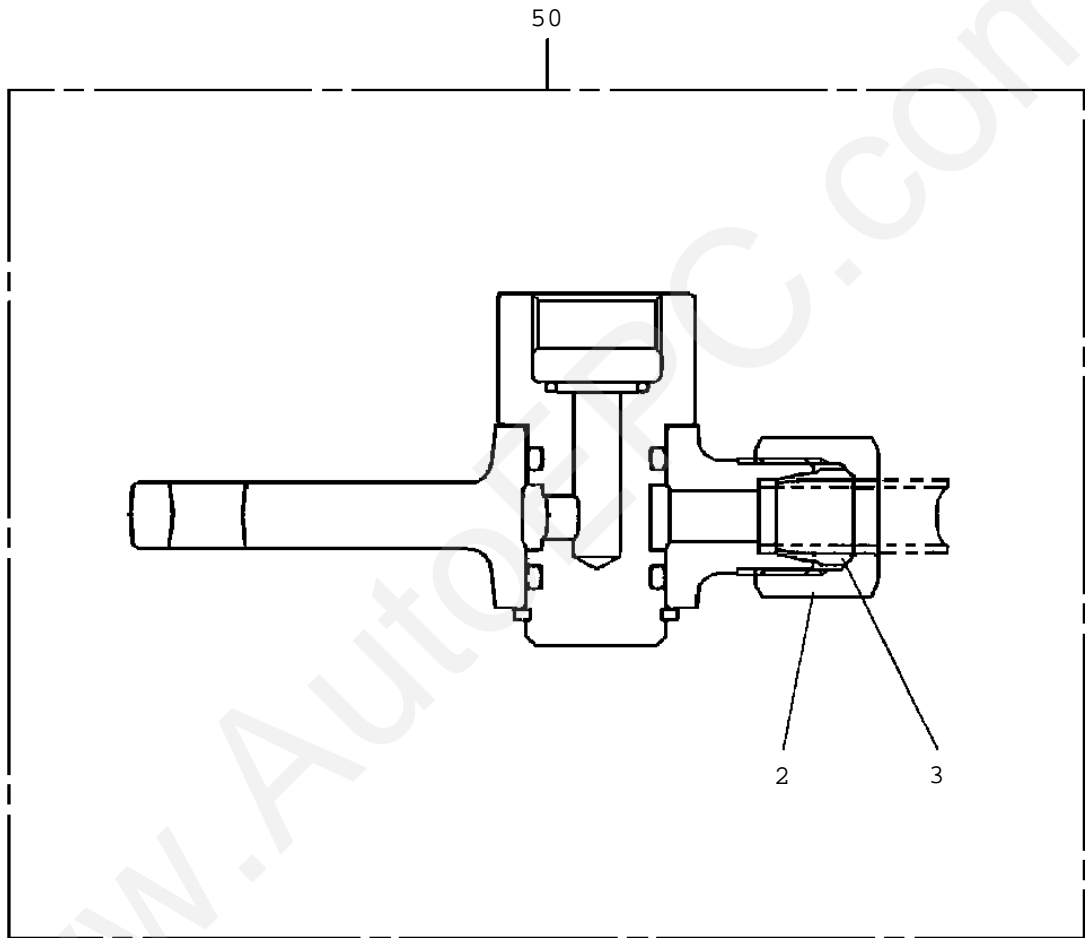


TM-ZE300 41044507044A FRAME/HOOK-IN(AWL)

Pos No.	Parts No	Parts Name	Qty	Unit	Technical Data	Serial No (Start)	Serial
1	31631101001	PLATE	1				
2	90171112022	BOLT	2		M12X22		
3	31630482500	CAP	1				
4	90302041201	WASHER, SPRING	2		12		

www.AutoEPC.com

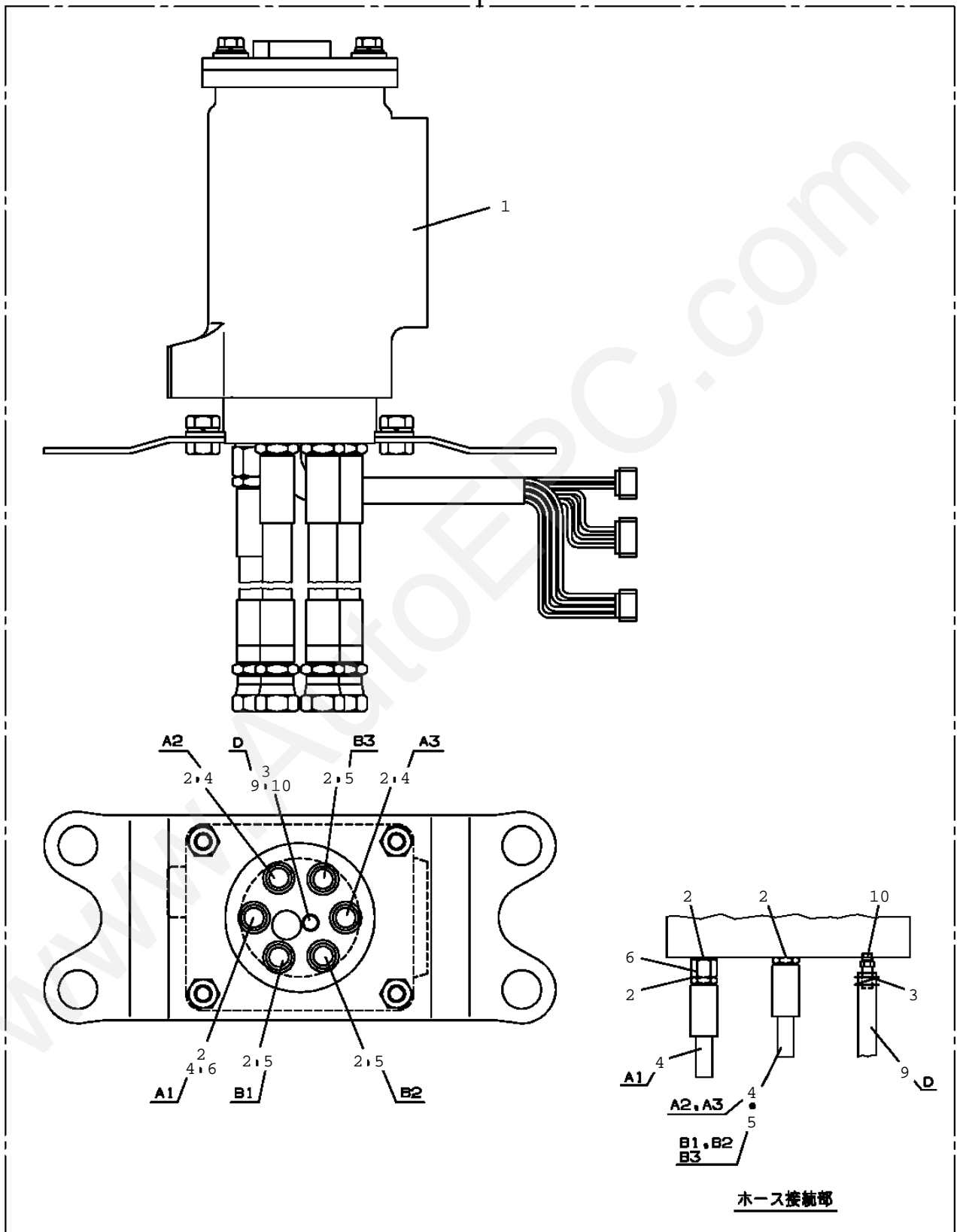
TM-ZE300 41044507044A FRAME/HOOK-IN(AWL)
PB1300315-01 JOINT,ROTARY



TM-ZE300 41044507044A FRAME/HOOK-IN(AWL)

Pos No.	Parts No	Parts Name	Qty	Unit	Technical Data	Serial No (Start)	Serial :
2	80306010085	NUT	1				
3	80309010085	SLEEVE	1				
50	31644592100	JOINT,ROTARY	1				

www.AutoEPC.com

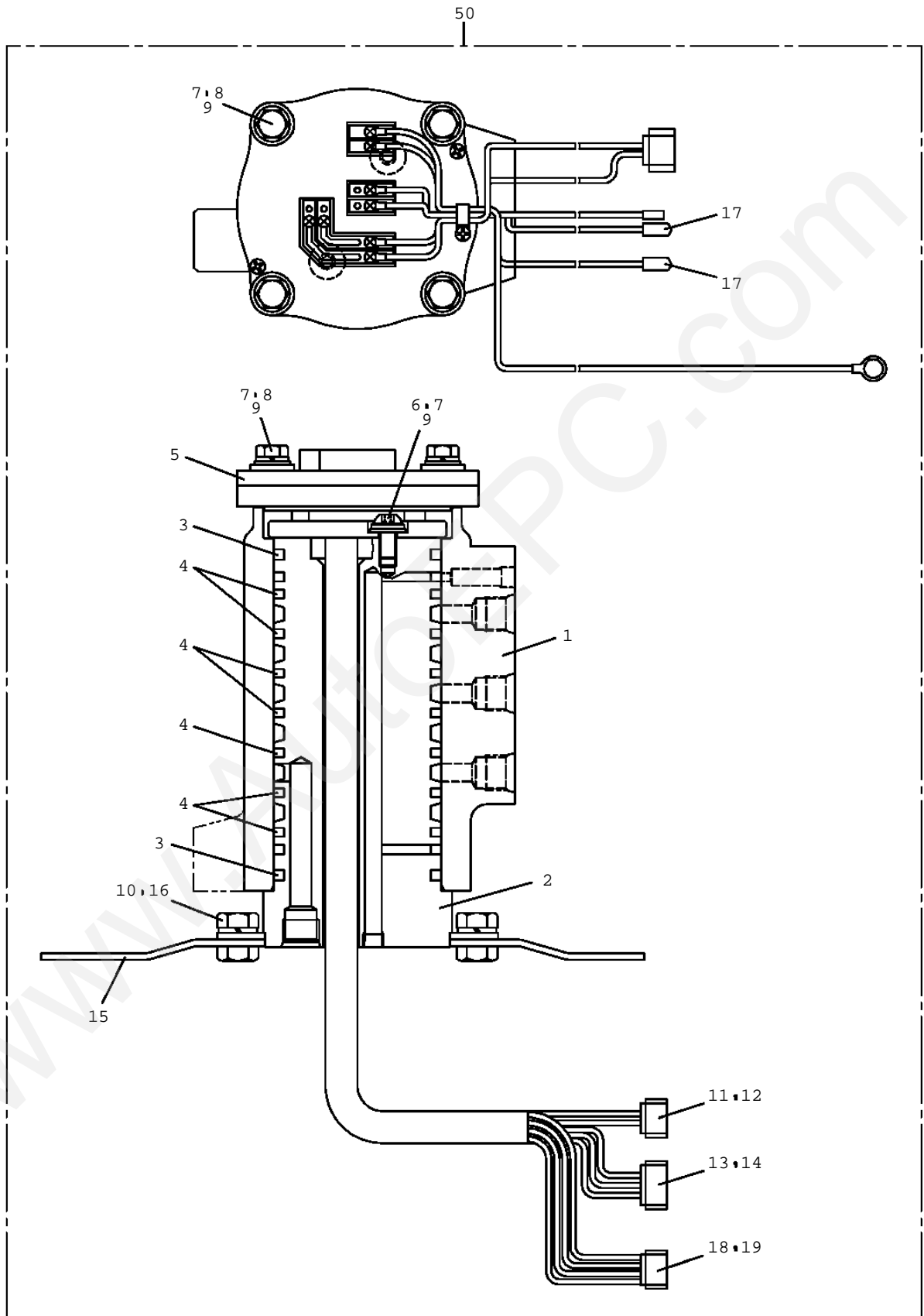


TM-ZE300 41044507044A FRAME/HOOK-IN(AWL)

Pos No.	Parts No	Parts Name	Qty	Unit	Technical Data	Serial No (Start)	Serial
1	31631781001	JOINT,ROTARY	1				
2	91002801400	O-RING	7		1B P14		
3	91803600200	CLIP	1		D=13-20		
4	37002480810	HOSE	3		L=1000		
	37002439140	HOSE	3		L=1000		
5	37002487040	HOSE (MANULI)	3		L=960		
	37002458070	HOSE	3		L=960		
6	37000932150	JOINT	1				
9	37002506230	HOSE	1		L=475		
10	37000932500	JOINT	1				
50	31631770001	JOINT,ROTARY	1				

www.AutoEPC.com

TM-ZE300 41044507044A FRAME/HOOK-IN(AWL)
PB1300513-00 JOINT,ROTARY

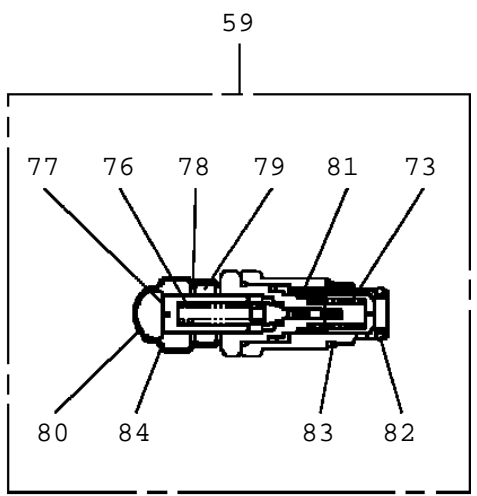
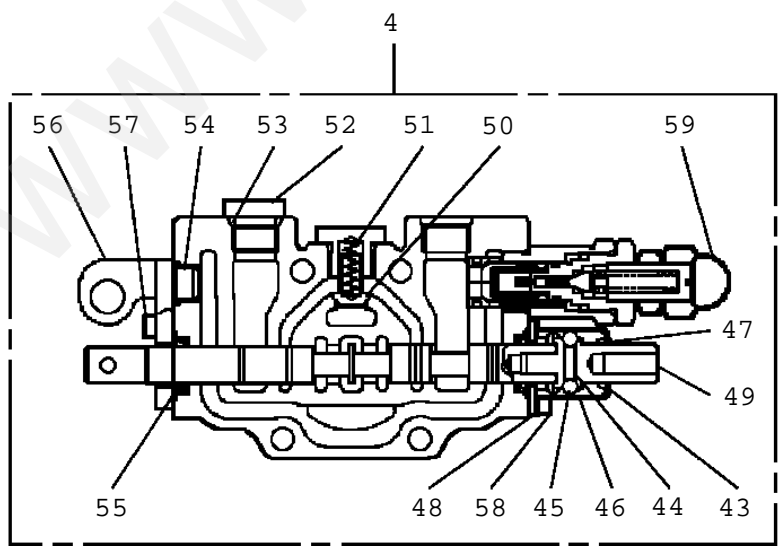
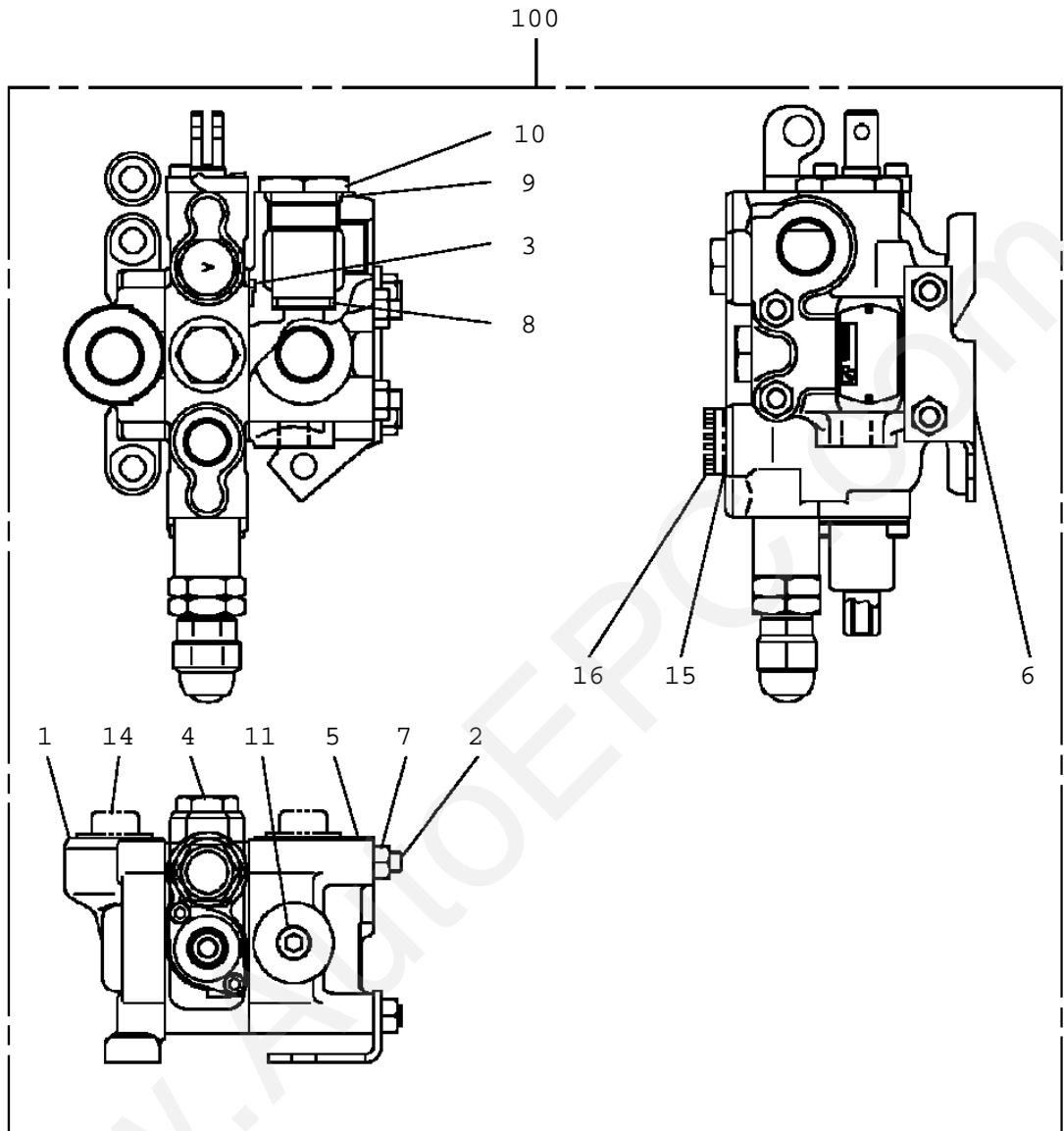


TM-ZE300 41044507044A FRAME/HOOK-IN(AWL)

Pos No.	Parts No	Parts Name	Qty	Unit	Technical Data	Serial No (Start)	Seri
1	31631121100	BODY	1				
2	31631781201	CORE	1				
3	91531208000	PACKING	2				
4	91100308000	RING,SEAL	7				
5	31631802000	RING,SLIP	1				
6	90180208016	BOLT,BUTTON	2		M8X16		
7	90302040801	WASHER,SPRING	6		8		
8	90102208035	BOLT	4		M8X35		
9	90303070801	WASHER,PLAIN	6		8		
10	90302041001	WASHER,SPRING	4		10		
11	82114203020	CONNECTOR (CAP)	1				
12	82121502020	PLATE	1				
13	82114203030	CONNECTOR (CAP)	1				
14	82121502030	PLATE	1				
15	31631121300	SUPPORT	1				
16	90171110016	BOLT	4		M10X16		
17	82100002855	CAP	2				
18	82114203040	CONNECTOR (CAP)	1				
19	82121502040	PLATE	1				
50	31631781001	JOINT,ROTARY	1				

www.AutoEPC.com

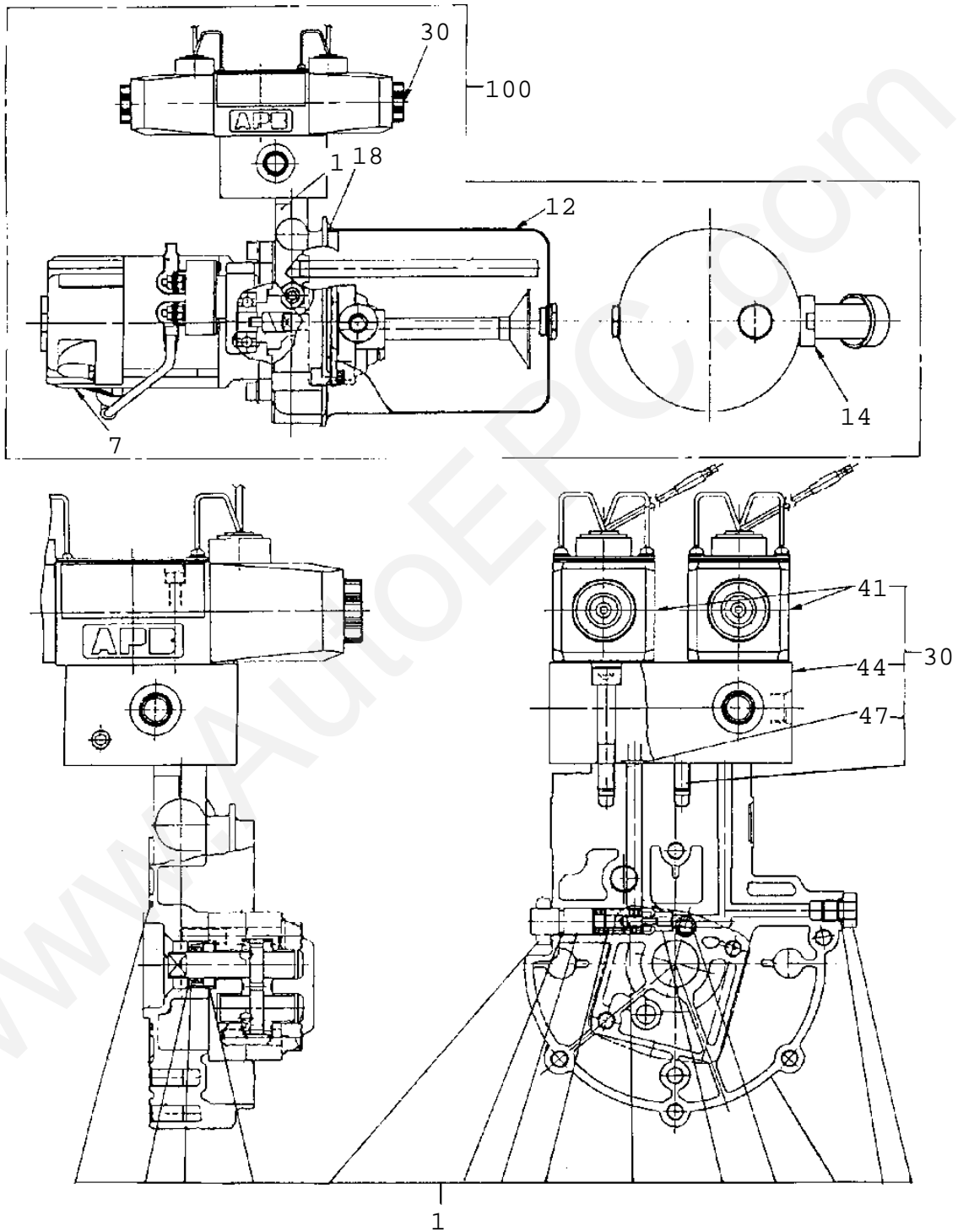
TM-ZE300 41044507044A FRAME/HOOK-IN(AWL)
PB1320631-00 VALVE,MANUAL CONTROL



TM-ZE300 41044507044A FRAME/HOOK-IN(AWL)

Pos No.	Parts No	Parts Name	Qty	Unit	Technical Data	Serial No
1	36635825040	COVER (BOTTOM)	1			
2	36636625020	BOLT,TIE	4			
3	91001205500	O-RING	2		1A G55	
4	36635815010	VALVE,CONTROL (POWER SUPPLY)	1			
5	36635825010	COVER (FRONT)	1			
6	36635825050	BRACKET	1			
7	90201200800	NUT	4		M8	
8	91002802100	O-RING	1		1B P21	
9	91001102600	O-RING	1		1A P26	
10	36646525210	PLUG	1			
11	80316030040	PLUG	1		PT1/4	
14	36645615090	PROTECTOR	3			
15	36645615200	PACKING	1			
16	36645615190	PLUG (DUST)	1			
43	36633365040	CAP (RETURN SPRING)	1			
44	36636625030	SPRING	1			
45	36632195060	BALL,STEEL	2			
46	36636625040	COLLAR	1			
47	91650001400	SCRAPER	1			
48	36633365060	PLATE (B)	1			
49	36636625050	ADAPTER	1			
50	12635101360	SPOOL	1			
51	12635101190	SPRING	1			
52	36633365090	CAP (CHECK VALVE)	2			
53	91001101400	O-RING	2		1A P14	
54	80316030040	PLUG	1		PT1/4	
55	36633365100	SEAL,OIL	2			
56	36635825070	LINK	1			
57	36645615230	C-BOLT	2		5X12	
58	36645615260	C-BOLT	2		M5X8	
59	36635815030	VALVE,RELIEF	1			
73	36631865270	SPRING	1			
76	12635101140	SPRING	1			
77	12635101130	SCREW (ADJUSTING)	1			
78	11629431040	PACKING	2			
79	36646575090	NUT	1			
80	36630195030	NUT,CAP	1			
81	91002801000	O-RING	1		1B P10	
82	91002801400	O-RING	1		1B P14	
83	36601135090	O-RING	2			
84	16623320390	TUBE (SEAL)	1			
100	36638550000	VALVE,MANUAL CONTROL	1			

TM-ZE300 41044507044A FRAME/HOOK-IN(AWL)
PB1380052-00 POWER SUPPLY



TM-ZE300 41044507044A FRAME/HOOK-IN(AWL)

Pos No.	Parts No	Parts Name	Qty	Unit	Technical Data	Serial No (Start)
1	31611617510	ADAPTER ASSY	1			
7	31611617590	MOTOR ASSY	1			
12	31611617530	TANK	1			
14	31611617540	CAP (OIL FILLER)	1			
18	44550417860	GASKET (WITH O-RING)	1			
30	31611617550	VALVE ASSY	1			
41	31611617560	VALVE,SOLENOID	2			
44	31611617570	MANIFOLD	1			
47	31611617580	O-RING	2			
100	31611613101	POWER SUPPLY	1			

www.AutoEPC.com

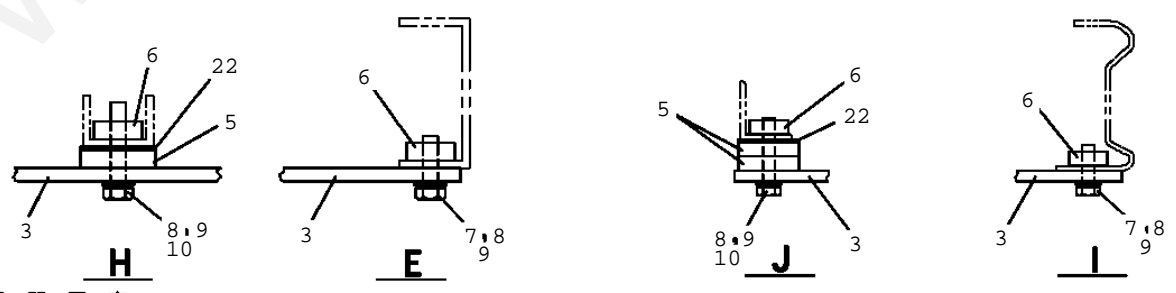
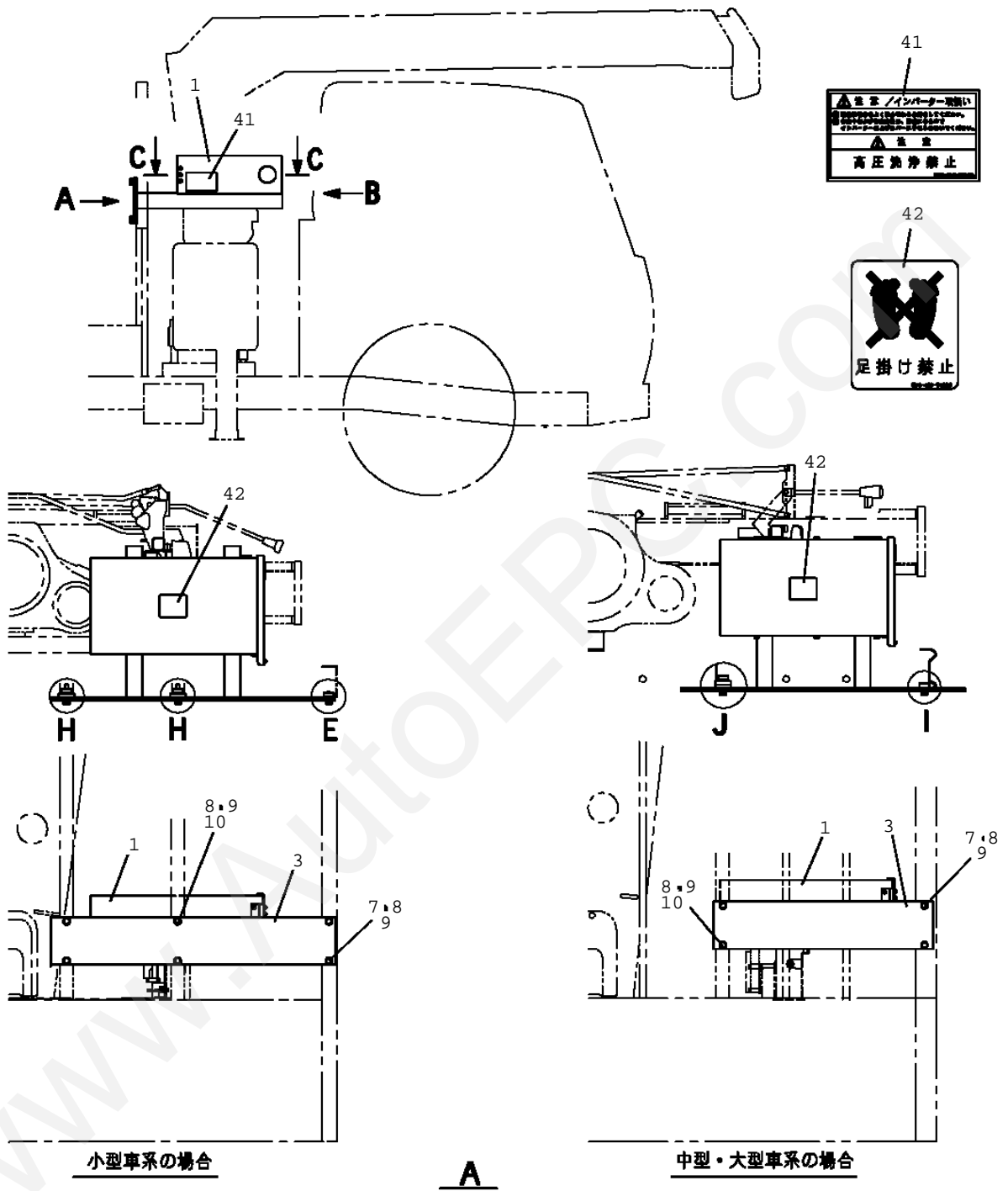
TM-ZE300 41044507044A FRAME/HOOK-IN(AWL)
PB1380319-01 POWER SUPPLY (SERVICE PORT)

指示番号 KEY NO.	パワーサプライ (サービスポート) POWER SUPPLY (SERVICE PORT)
1	パイピング PIPING
2	オペ .ASSY, ソウサハバルブ OPE .ASSY, CONT .VALVE
3	プレートASSY, ネーム PLATE ASSY, NAME

TM-ZE300 41044507044A FRAME/HOOK-IN(AWL)

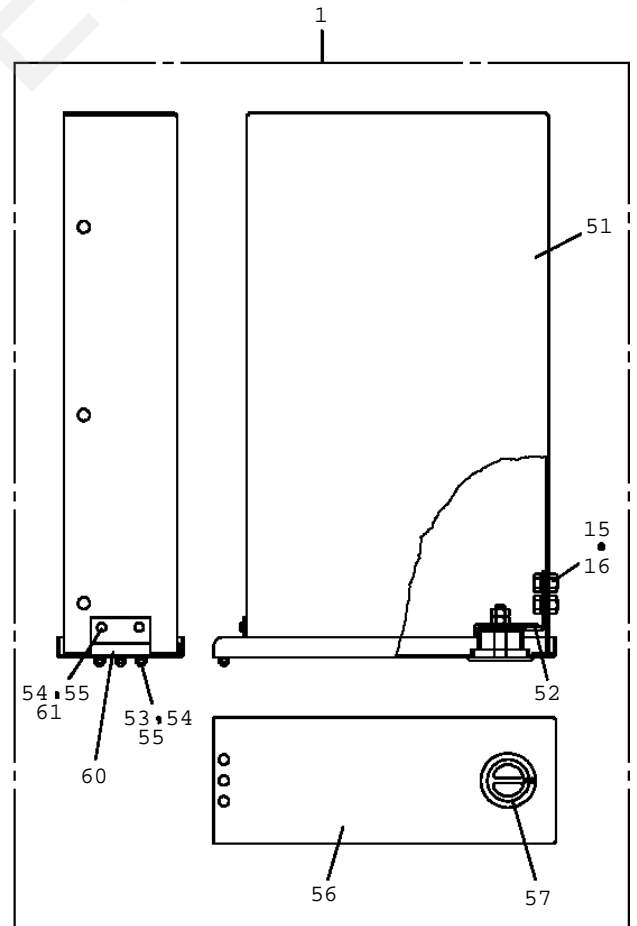
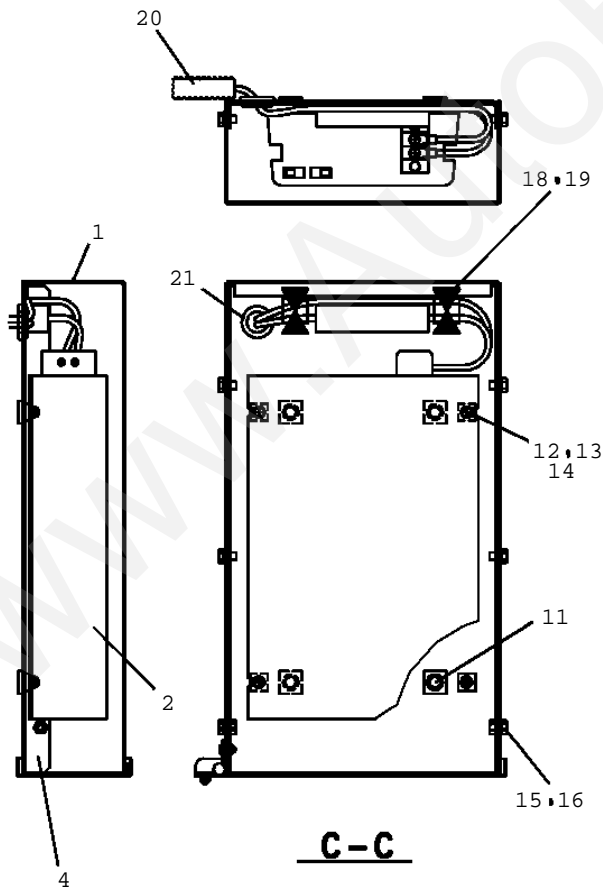
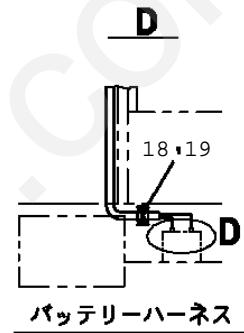
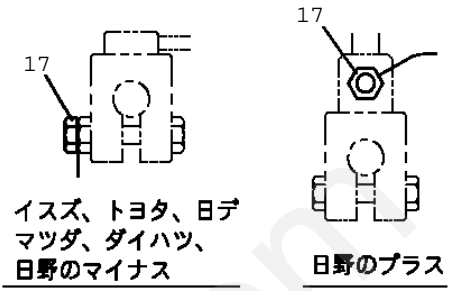
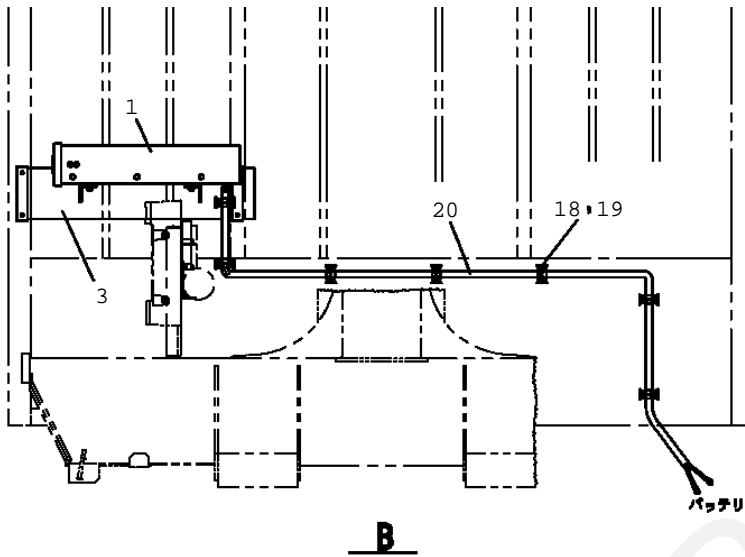
Pos No.	Parts No	Parts Name	Qty	Unit	Technical Data
1	(*****)	PIPING (WITH CARRYOVER,W/O CARRY OVER)	1		
2	(*****)	OPE.ASSY,CONT.VALVE	1		
3	(*****)	PLATE ASSY,NAME	1		

www.AutoEPC.com



展開図有
 ILLUSTRATED BREAKDOWN NO.1

TM-ZE300 41044507044A FRAME/HOOK-IN(AWL)
 PB1380332-02 POWER SUPPLY (100V POWER SOURCE/1500W)



TM-ZE300 41044507044A FRAME/HOOK-IN(AWL)

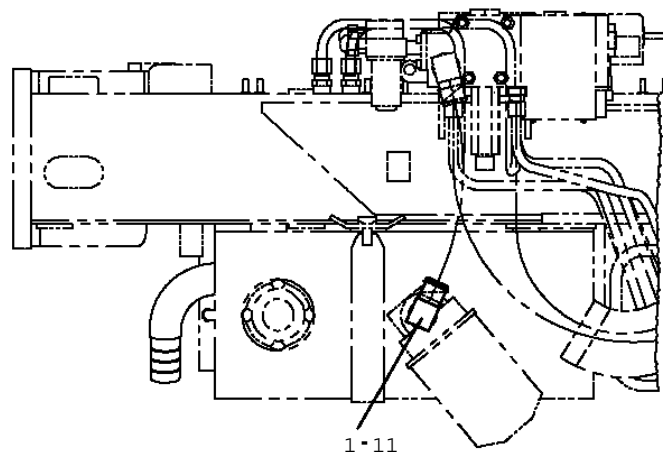
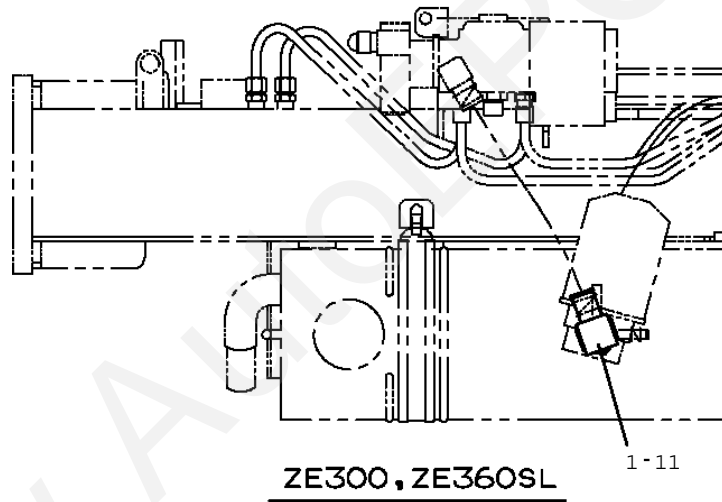
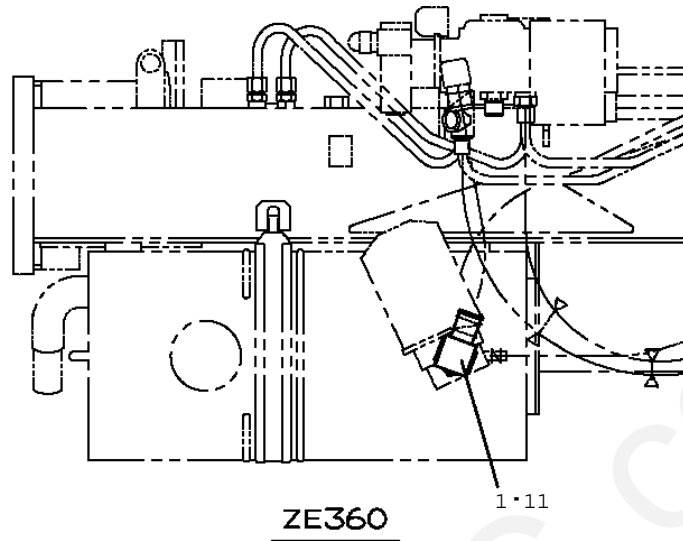
Pos No.	Parts No	Parts Name	Qty	Unit	Technical Data	Serial No (Start)	Serial
1	31501332000	COVER ASSY	1				
2	31501201200	INVERTER	1				
3	31501331100	SUPPORT	1				
4	31501331200	SUPPORT	1				
5	37000588250	PLATE	2				
6	37000588260	PLATE	3				
7	90101210035	BOLT	2		M10X35		
8	90302041001	WASHER, SPRING	6		10		
9	90303071001	WASHER, PLAIN	6		10		
10	90101210055	BOLT	4		M10X55		
11	90186208025	BOLT, FLANGE	4		M8X25		
12	80182306016	SCREW, MACHINE	4		M6X16		
13	90302040601	WASHER, SPRING	4		6		
14	90303070601	WASHER, PLAIN	4		6		
15	90101208014	BOLT	8		M8X14		
16	90302040801	WASHER, SPRING	8		8		
17	90201200600	NUT	2		M6		
18	91850310405	CLAMP (BLACK)	10				
19	91810130240	FASTENER	10				
20	31501331300	COVER	1				
21	82100000920	GROMMET	1				
22	37000569940	PLATE	8				
41	31501333100	PLATE, CAUTION	1				
42	31642171600	PLATE, NAME	1				
51	31501332100	COVER	1				
52	31501203200	SUPPORT	1				
53	80175305010	SCREW, MACHINE	3		M5X10		
54	90240200500	NUT, CAP	5		M5		
55	90302040501	WASHER, SPRING	5		5		
56	42736781200	COVER	1				
57	82460005300	HANDLE	1				
60	82464100201	HINGE	1				
61	80172305010	SCREW, MACHINE	2		M5X10		

TM-ZE300 41044507044A FRAME/HOOK-IN(AWL)

Pos No.	Parts No	Parts Name	Qty	Unit	Technical Data	Serial No (Start)
1	37002465150	HOSE	1		L=425	
2	37002471640	HOSE	1		L=360	
3	91002801400	O-RING	8		1B P14	
4	37000804580	JOINT	1			
5	91803880070	CLIP	2		D=13.1-16.2	
6	37002459330	HOSE	1		L=1360	
7	37002459320	HOSE	1		L=1300	
8	37002501360	HOSE	1		L=450	
9	80430620600	JOINT (WITH O-RING)	2		L,G3/8-G3/8	
10	37000920990	JOINT	2			
11	37002480680	HOSE	1		L=600	
	37002448850	HOSE	1		L=600	
12	37002448860	HOSE	1		L=560	
	37002480670	HOSE	1		L=560	
13	37000800310	JOINT	1			
14	82100001412	TUBE,SPIRAL	1	M	SE-12BK	
31	91002801400	O-RING	2		1B P14	

www.AutoEPC.com

TM-ZE300 41044507044A FRAME/HOOK-IN(AWL)
PB1411919-02 PIPING,LOWER (JOINT FOR RETURN FILTER)



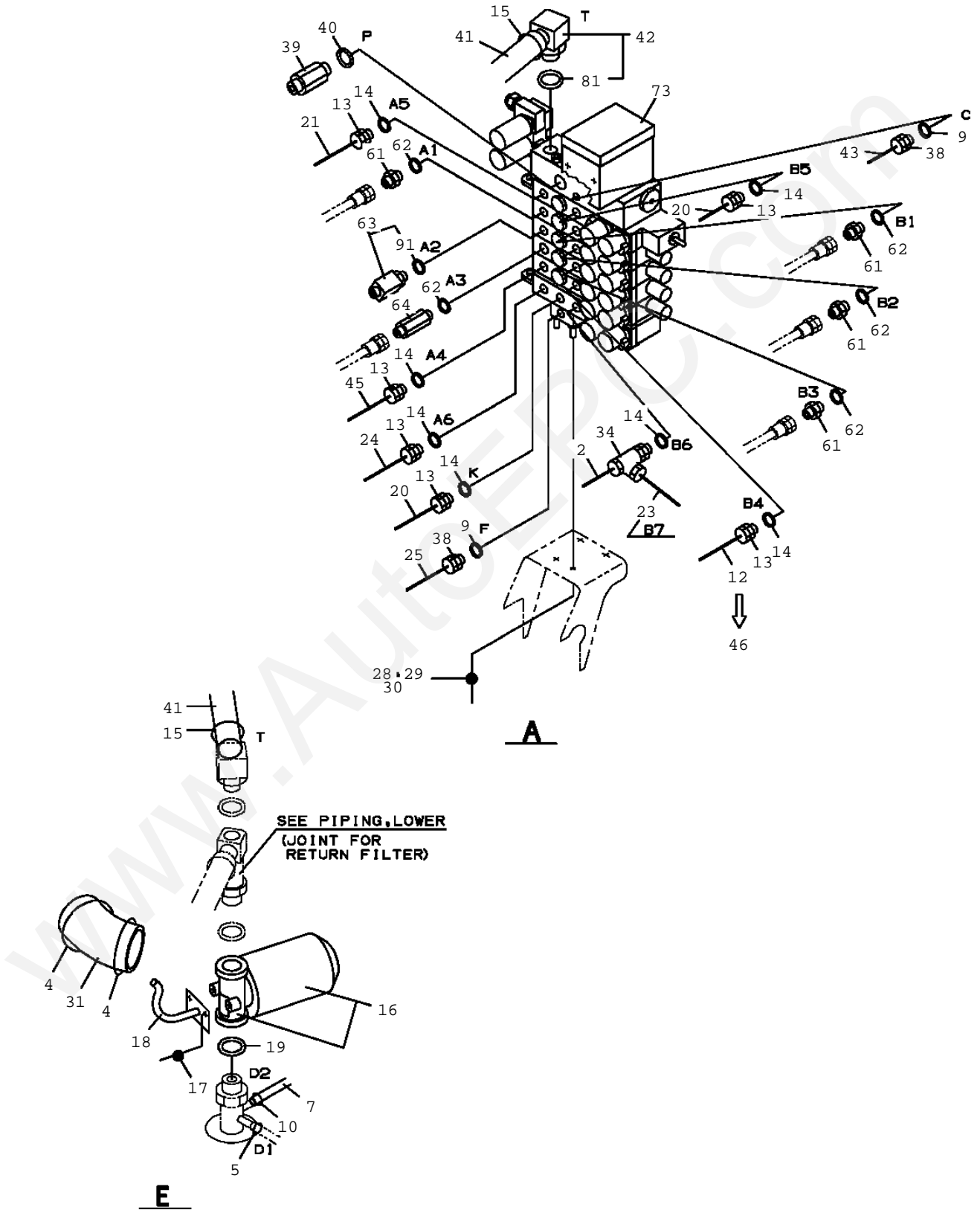
ZE250, ZE260, ZE290

TM-ZE300 41044507044A FRAME/HOOK-IN(AWL)

Pos No.	Parts No	Parts Name	Qty	Unit	Technical Data	Serial No (St
1	80400160202	JOINT (FOR RETURN FILTER)	1			
11	91002802900	O-RING	1		1B P29	

www.AutoEPC.com

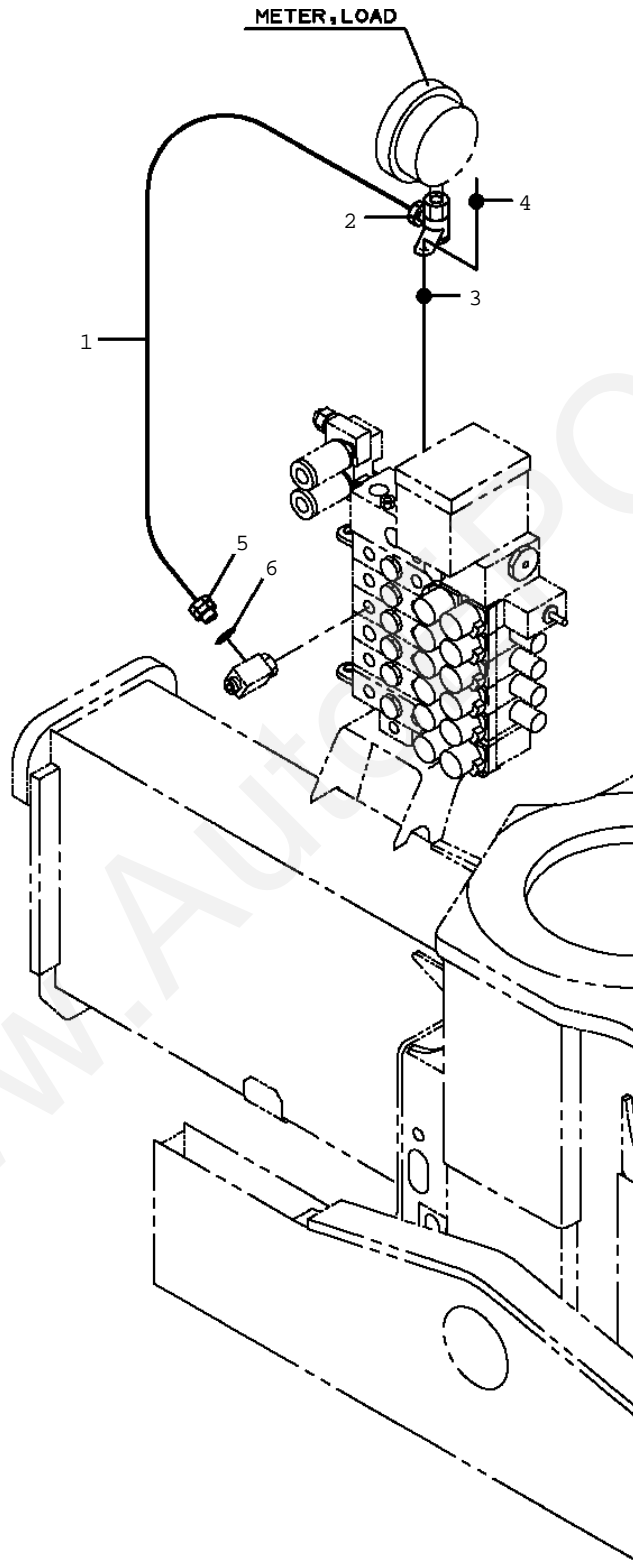
TM-ZE300 41044507044A FRAME/HOOK-IN(AWL)
PB1411920-02 PIPING,LOWER



TM-ZE300 41044507044A FRAME/HOOK-IN(AWL)

Pos No.	Parts No	Parts Name	Qty	Unit	Technical Data	Serial No (
1	81408000100	PIPE,STEEL	1	M	10X1.2T	
2	81408000100	PIPE,STEEL	1	M	10X1.2T	
3	91810130240	FASTENER	3			
4	91810130270	FASTENER	3			
5	91803600200	CLIP	1		D=13-20	
6	31644591400	COVER	1			
7	37002500190	HOSE	1		L=1300	
8	31644591300	JOINT	1			
9	91002801100	O-RING	4		1B P11	
10	91803880070	CLIP	2		D=13.1-16.2	
13	80302090121	FITTING	9		KCO10-030N	
14	91002801400	O-RING	11		1B P14	
15	91803600400	CLIP	2		D=27-40	
16	36672280000	FILTER,OIL (YAMASHIN)	1			
17	90186210014	BOLT,FLANGE	2		M10X14	
18	31642781200	SUPPORT	1			
19	91002802900	O-RING	1		1B P29	
20	81408000100	PIPE,STEEL	1	M	10X1.2T	
21	81408000100	PIPE,STEEL	1	M	10X1.2T	
22	80305010080	FITTING,TEE	1		KTA10-000N	
23	81408000100	PIPE,STEEL	2	M	10X1.2T	
24	81408000100	PIPE,STEEL	2	M	10X1.2T	
25	81408000100	PIPE,STEEL	2	M	10X1.2T	
26	81408000100	PIPE,STEEL	1	M	10X1.2T	
27	81408000100	PIPE,STEEL	2	M	10X1.2T	
28	90201780800	NUT	4		M8	
29	90302040801	WASHER,SPRING	4		8	
30	90303070801	WASHER,PLAIN	4		8	
31	31642181000	COVER	1			
32	36611670000	VALVE,FLOW CONTROL	1			
33	90172106032	BOLT,HEXAGON SOCKET	3		M6X32	
34	80305120100	FITTING	2			
35	90280200800	NUT,FLANGE	2		M8	
36	37005700130	CLAMP	4		10X2	
37	90101208055	BOLT	2		M8X55	
38	80302090101	FITTING	3		KCO10-020N	
39	80481004042	JOINT	1			
40	91002801800	O-RING	1		1B P18	
41	37002510990	HOSE	1		L=310	
42	80400160182	JOINT (WITH O-RING)	1			
43	81408000100	PIPE,STEEL	2	M	10X1.2T	
45	81408000100	PIPE,STEEL	2	M	10X1.2T	
46	81408000100	PIPE,STEEL	2	M	10X1.2T	
47	80303130121	FITTING,ELBOW (WITH O-RING)	1		KLO10-030E	
61	80400160129	JOINT	4			
62	91002801400	O-RING	5		1B P14	
63	80400160180	JOINT (WITH O-RING)	1			
64	80481003037	JOINT	1			
73	36740750000	VALVE,REMOTE CONTROL (MAIN)	1			
81	91002801800	O-RING	1		1B P18	
91	91002801400	O-RING	2		1B P14	

TM-ZE300 41044507044A FRAME/HOOK-IN(AWL)
PB1411928-00 PIPING,LOWER (FOR LOAD METER)

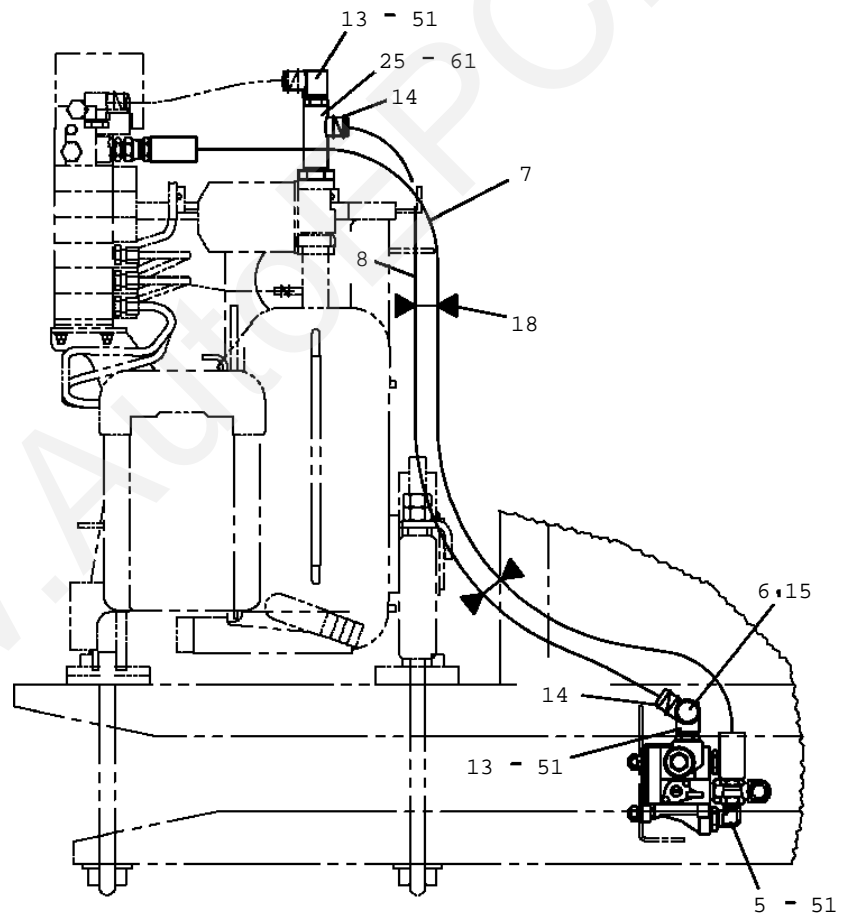
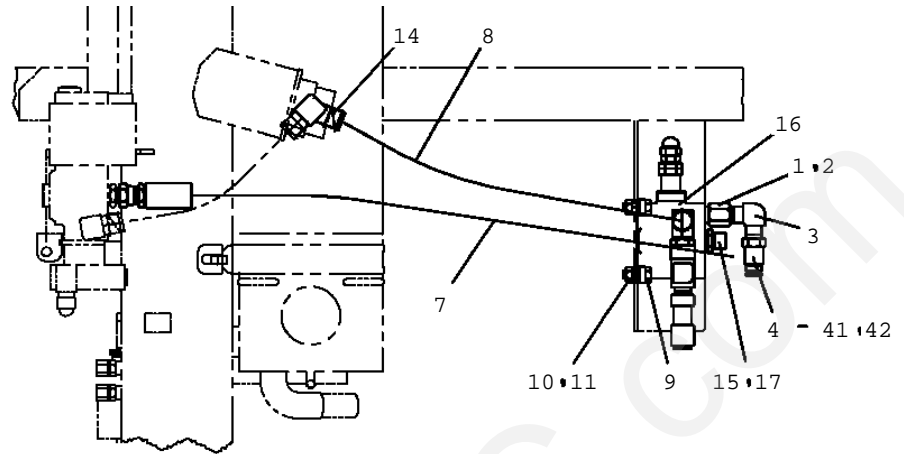


TM-ZE300 41044507044A FRAME/HOOK-IN(AWL)

Pos No.	Parts No	Parts Name	Qty	Unit	Technical Data	Serial No (Start)	Serial :
1	81408000100	PIPE,STEEL	1	M	10X1.2T		
2	31644592100	JOINT,ROTARY	1				
3	90280200800	NUT,FLANGE	1		M8		
4	90303070801	WASHER,PLAIN	1		8		
5	80302090101	FITTING	1		KCO10-020N		
6	91002801100	O-RING	1		1B P11		

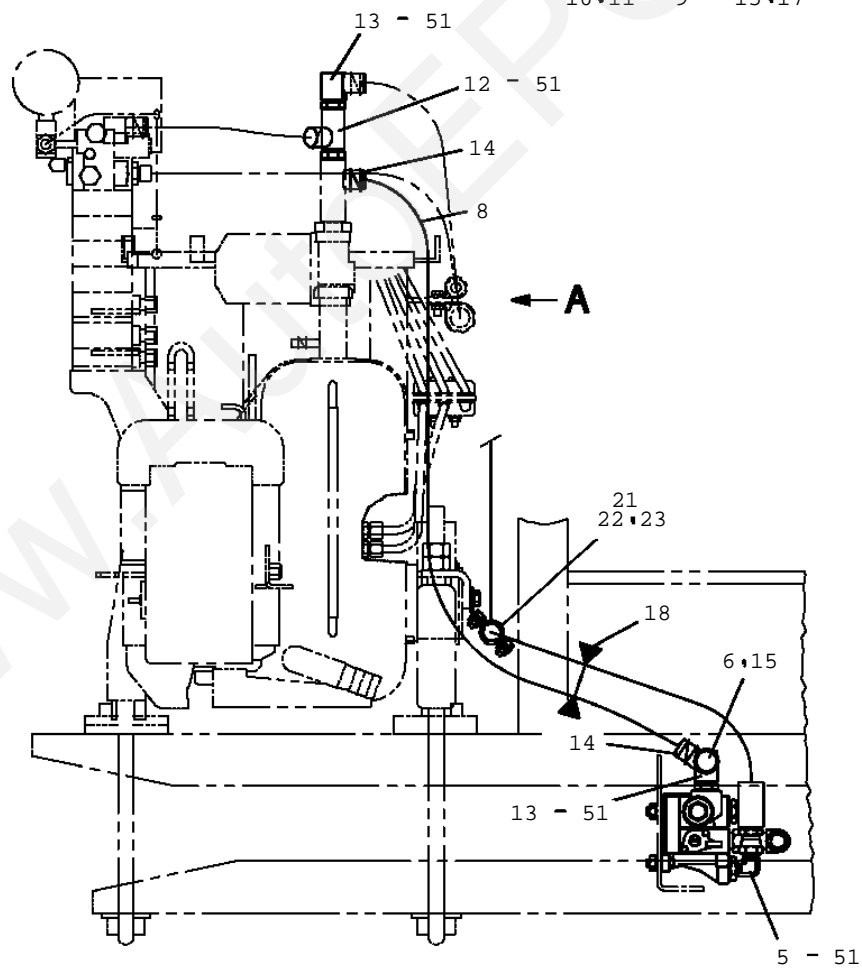
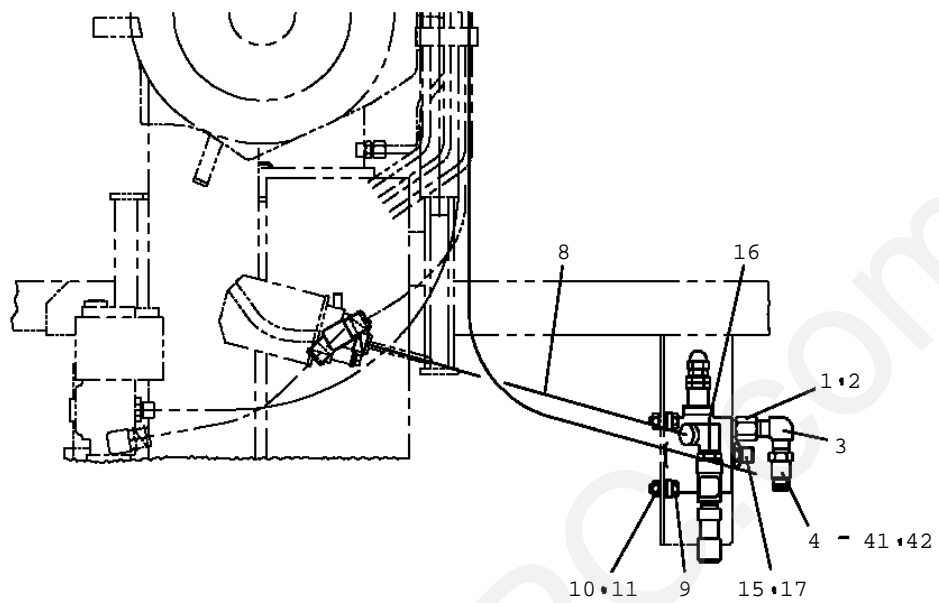
www.AutoEPC.com

TM-ZE300 41044507044A FRAME/HOOK-IN(AWL)
 PB1910176-02 PIPING (WITH CARRYOVER,W/O CARRY OVER)



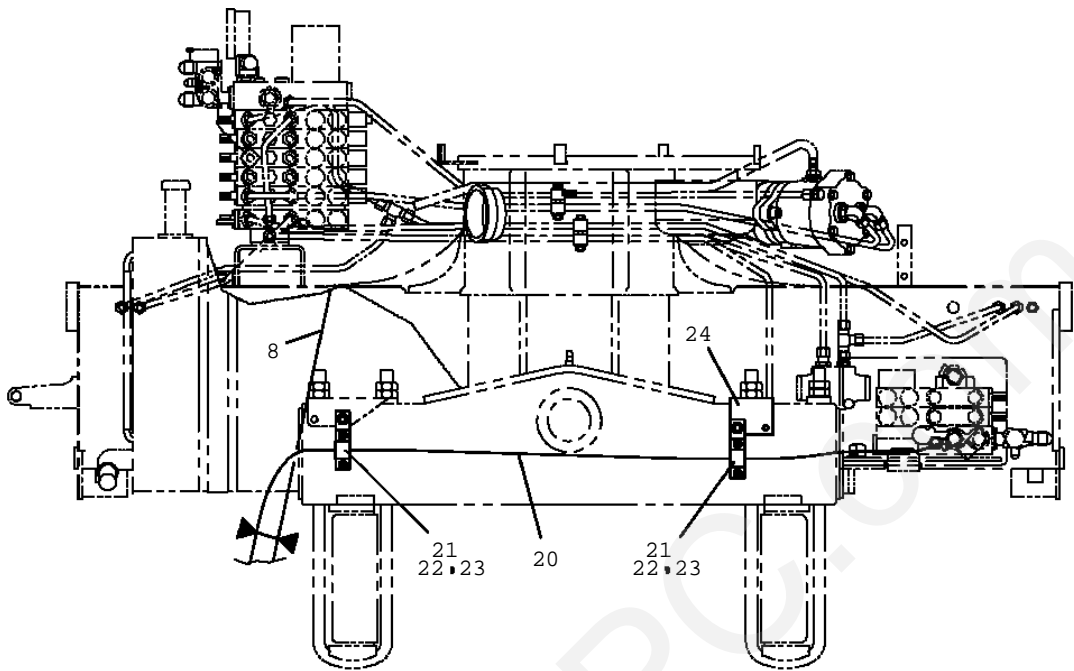
**ZE300STD, ZE360STD, ZE300SLで
 キャリーオーバーバルブがない場合**

TM-ZE300 41044507044A FRAME/HOOK-IN(AWL)
 PB1910176-02 PIPING (WITH CARRYOVER,W/O CARRY OVER)

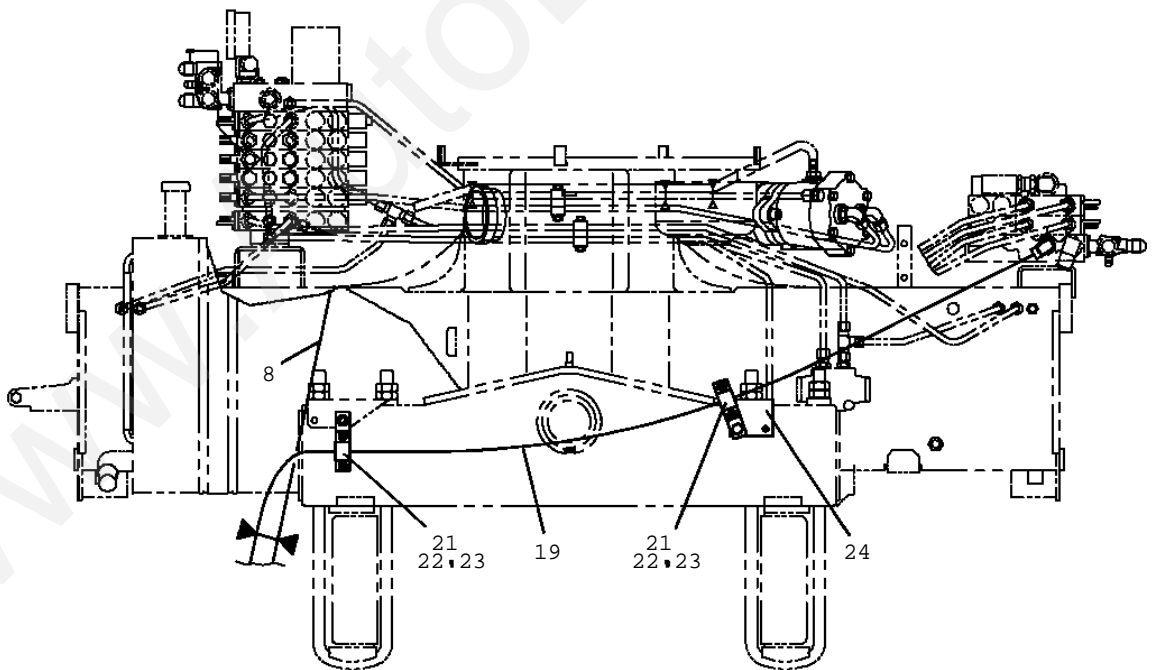


**ZE360SLおよびZE300STD, ZE360STD, ZE300SLで
 キャリーオーバーバルブがある場合**

TM-ZE300 41044507044A FRAME/HOOK-IN(AWL)
PB1910176-02 PIPING (WITH CARRYOVER, W/O CARRY OVER)



ZE300STD, ZE300SLの場合

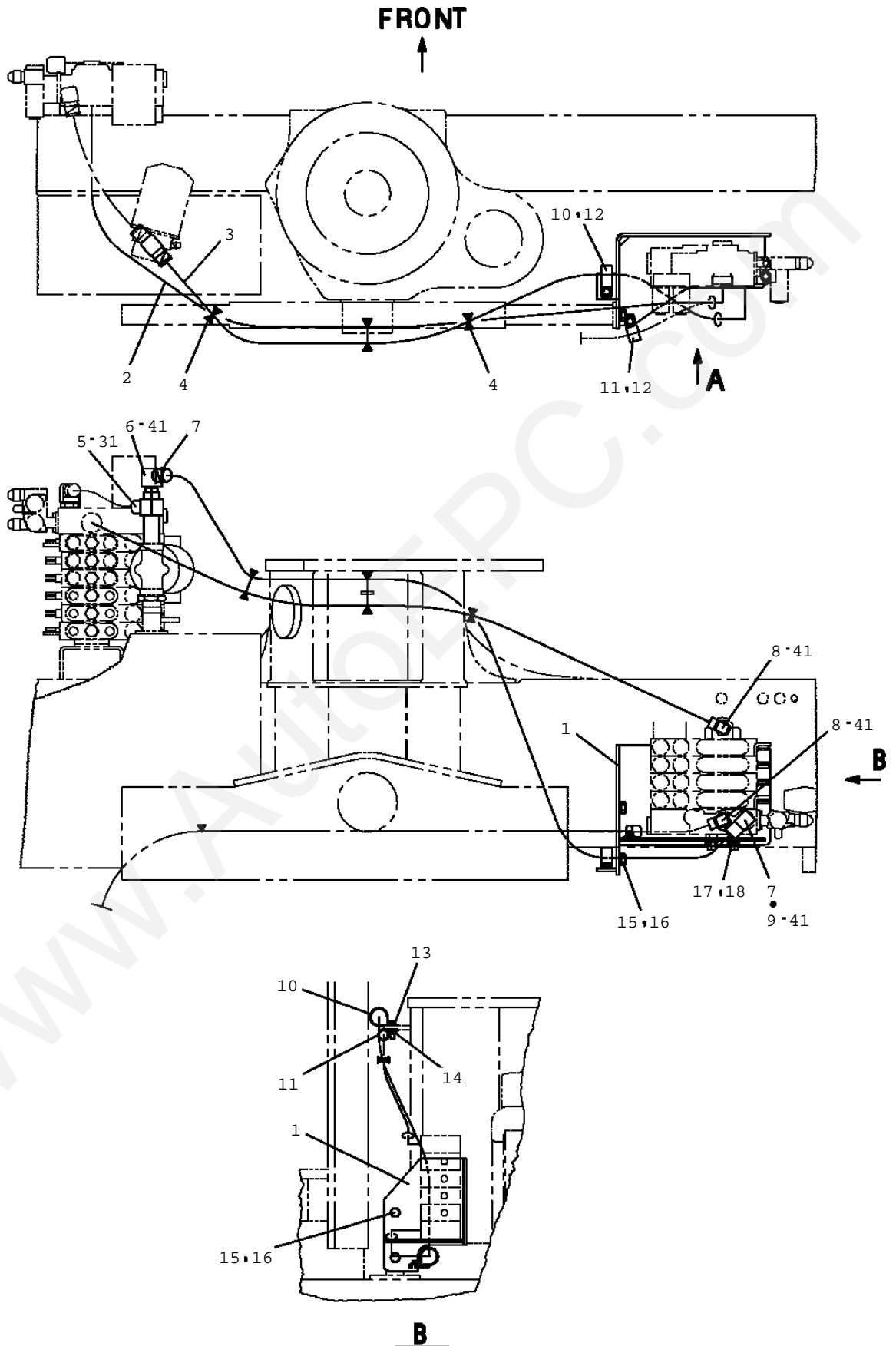


ZE360STD, ZE360SLの場合

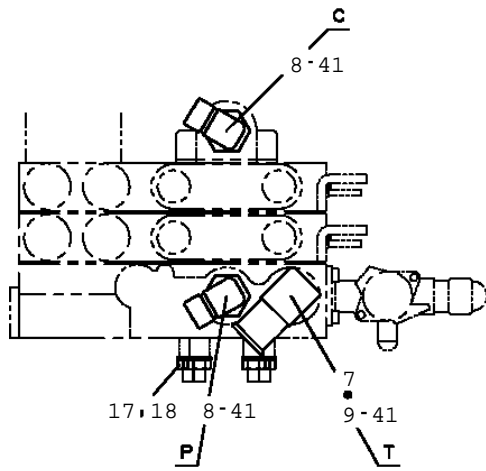
TM-ZE300 41044507044A FRAME/HOOK-IN(AWL)

Pos No.	Parts No	Parts Name	Qty	Unit	Technical Data	Serial No (Start)
1	91002801400	O-RING	1		1B P14	
2	37000912810	JOINT	1			
3	31641050100	JOINT	1			
4	36671630000	JOINT,SELF SEALING	1			
5	80430620800	JOINT	1			
6	37000924860	JOINT	1			
7	37002439750	HOSE <L=1625.	1			
8	37002511190	HOSE	1		L=1370	
9	90191208030	BOLT	3		M8X30	
10	90201200800	NUT	3		M8	
11	90302040801	WASHER,SPRING	3		8	
12	80400160205	JOINT (WITH O-RING)	1			
13	80400160182	JOINT (WITH O-RING)	2			
14	91803600400	CLIP	2		D=27-40	
15	91002801800	O-RING	2		1B P18	
16	36638550000	VALVE,MANUAL CONTROL	1			
17	80400160131	JOINT	1			
18	91810150020	FASTENER	2			
19	37002415530	HOSE	1		L=1950	
20	37002446480	HOSE	1		L=1730	
21	37000713260	CLAMP ASSY	2		23	
22	90101210020	BOLT	2		M10X20	
23	90302041001	WASHER,SPRING	2		10	
24	31842070100	SUPPORT	1			
25	80400160203	JOINT (WITH O-RING)	1			
26	82100001413	TUBE,SPIRAL	1	M	SE-15BK	
41	36671635010	JOINT,SELF SEALING	1			
42	36671635020	JOINT,SELF SEALING	1			
51	91002801800	O-RING	4		1B P18	
61	91002802900	O-RING	1		1B P29	

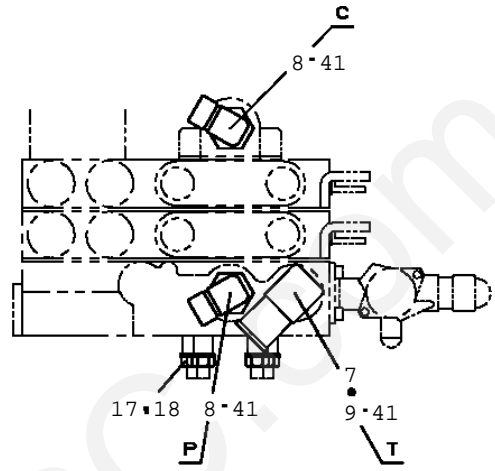
TM-ZE300 41044507044A FRAME/HOOK-IN(AWL)
PB1910178-01 PIPING (OPT.VALVE-MAIN VALVE)



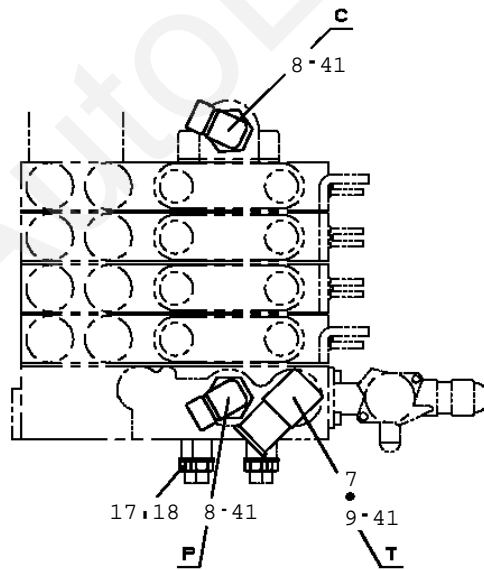
TM-ZE300 41044507044A FRAME/HOOK-IN(AWL)
PB1910178-01 PIPING (OPT.VALVE-MAIN VALVE)



(2連バルブ, セルフウインチの場合)



(2連バルブ, リヤアウトリガの場合)



(4連バルブ, リヤアウトリガ, セルフウインチの場合)

A

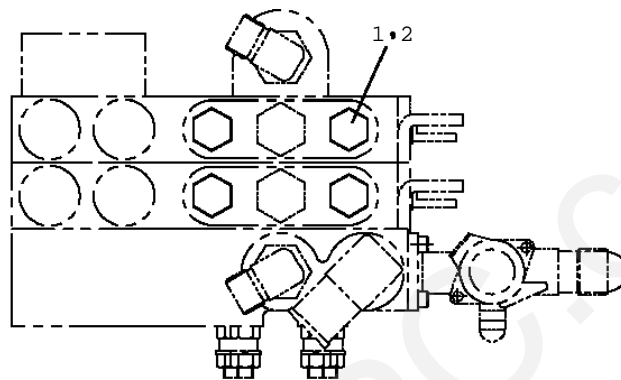
TM-ZE300 41044507044A FRAME/HOOK-IN(AWL)

Pos No.	Parts No	Parts Name	Qty	Unit	Technical Data	Serial No (Start)
1	31648822100	SUPPORT	1			
2	37002439750	HOSE <L=1625.	1			
3	37002512560	HOSE	1		L=1640	
4	91810130270	FASTENER	2			
5	80400160203	JOINT (WITH O-RING)	1			
6	80400160182	JOINT (WITH O-RING)	1			
7	91803600400	CLIP	2		D=27-40	
8	80430620800	JOINT	2			
9	80400160189	JOINT	1			
10	37000604210	CLAMP	2		D=36	
11	82100002015	CLAMP	2		WRC20	
12	90186208014	BOLT, FLANGE	2		M8X14	
13	90186208030	BOLT, FLANGE	1		M8X30	
14	90280200800	NUT, FLANGE	1		M8	
15	90171112020	BOLT	2		M12X20	
16	90302041201	WASHER, SPRING	2		12	
17	90201780800	NUT	4		M8	
18	90302040801	WASHER, SPRING	4		8	
31	91002802900	O-RING	1		1B P29	
41	91002801800	O-RING	4		1B P18	

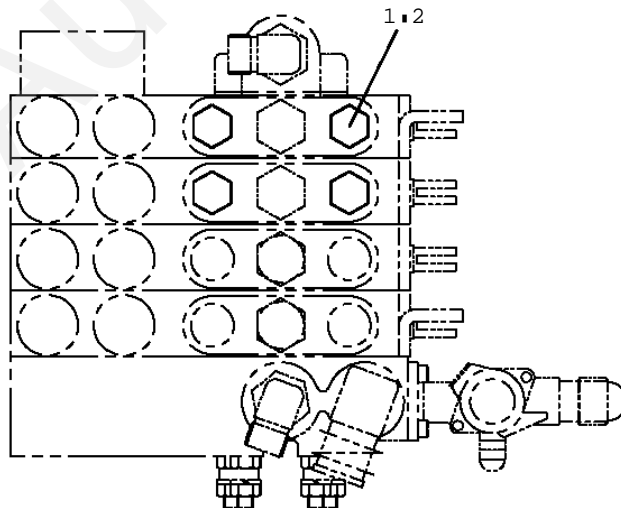
www.AutoEPC.com

TM-ZE300 41044507044A FRAME/HOOK-IN(AWL)

PB1910181-00 PIPING (WINCHLESS/PLUG:CARRYOVER VALVE)



(300SL)



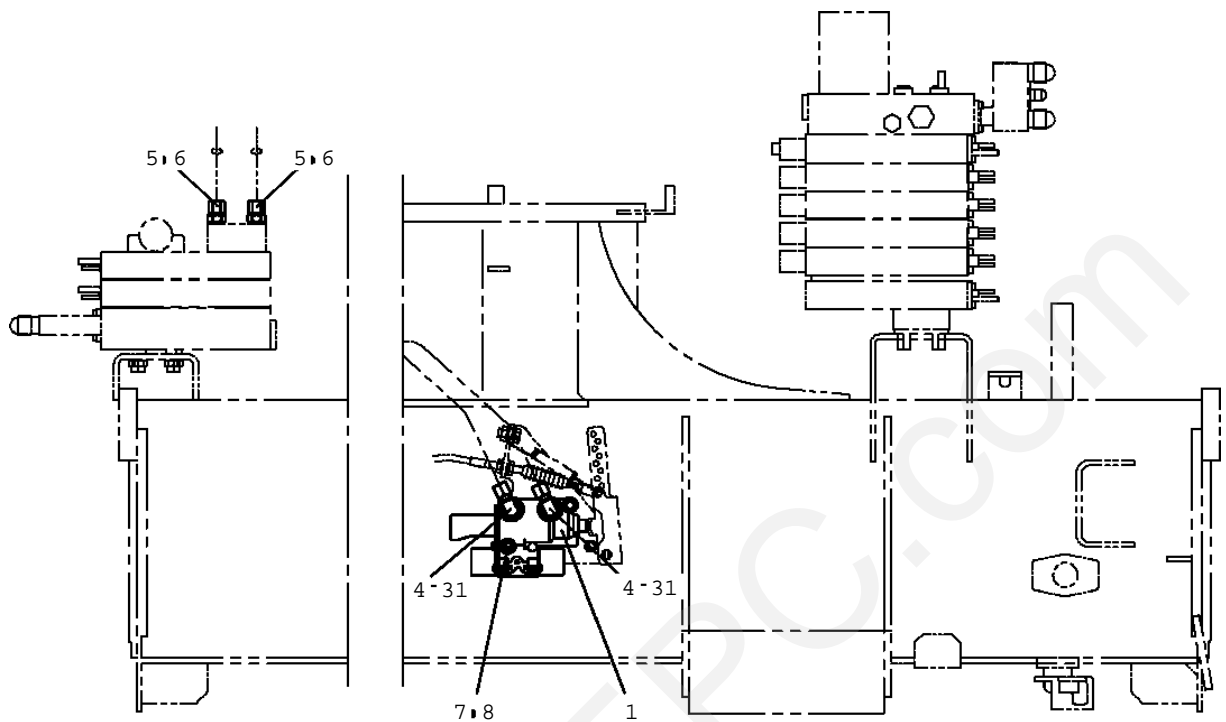
(360SL)

TM-ZE300 41044507044A FRAME/HOOK-IN(AWL)

Pos No.	Parts No	Parts Name	Qty	Unit	Technical Data	Serial No (Start)	Serial No
1	80316070060	PLUG	4		PF3/8		
2	91002801400	O-RING	4		1B P14		

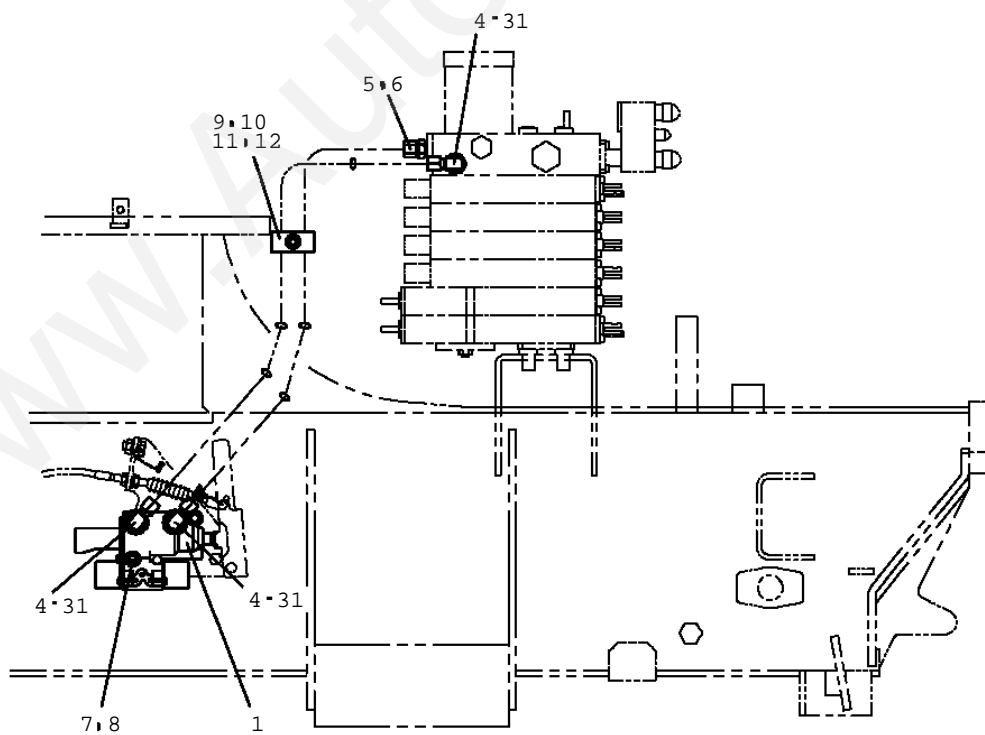
www.AutoEPC.com

TM-ZE300 41044507044A FRAME/HOOK-IN(AWL)
PB1910183-01 PIPING



車両前方から見る

キャリーオーバーバルブ有の場合



車両前方から見る

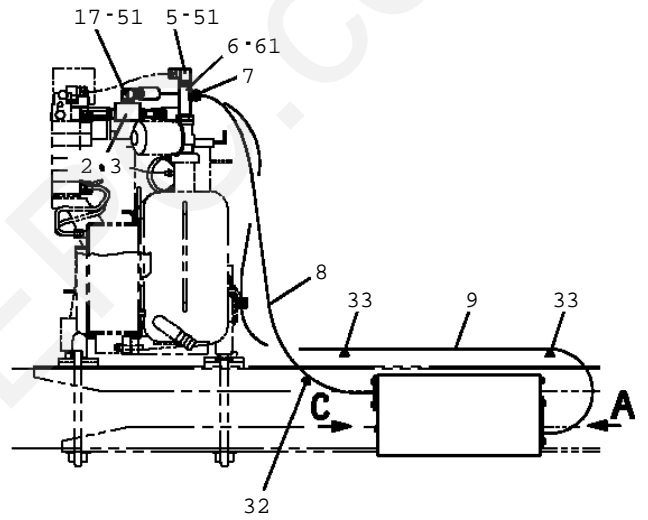
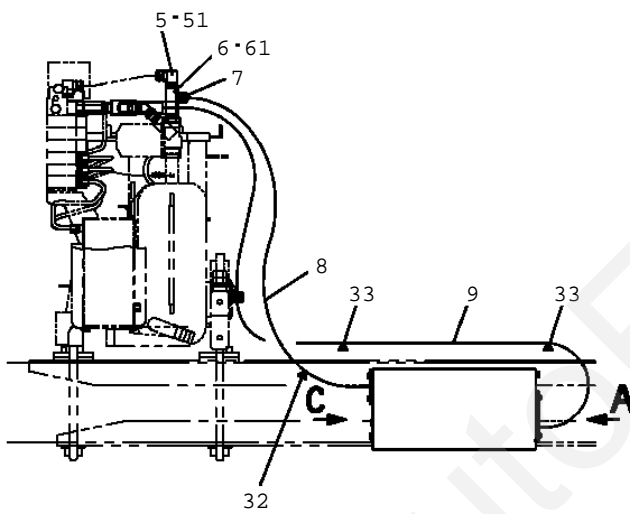
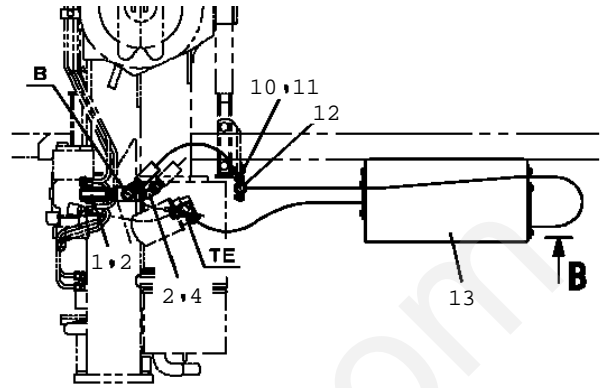
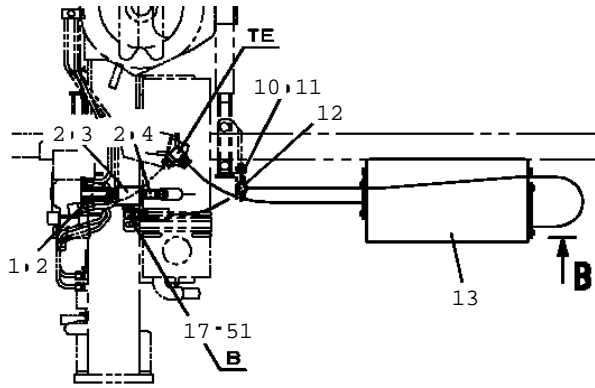
キャリーオーバーバルブ無の場合

TM-ZE300 41044507044A FRAME/HOOK-IN(AWL)

Pos No.	Parts No	Parts Name	Qty	Unit	Technical Data	Serial No (Start)
1	36062820000	CYLINDER,ACCELERATOR	1			
4	80303130081	FITTING, ELBOW	3		KLO08-020E	
5	80302090081	FITTING	2		KCO80-020N	
6	91002801100	O-RING	2		1B P11	
7	90101208065	BOLT	2		M8X65	
8	90302040801	WASHER,SPRING	2		8	
9	37005700130	CLAMP	1		10X2	
10	90101208035	BOLT	1		M8X35	
11	90280200800	NUT, FLANGE	1		M8	
12	37000312580	SLEEVE	2			
31	91002801100	O-RING	3		1B P11	

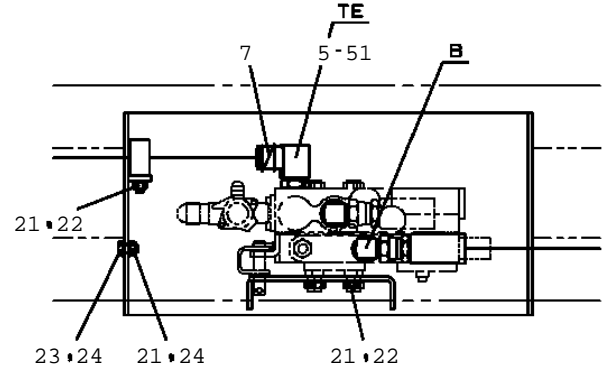
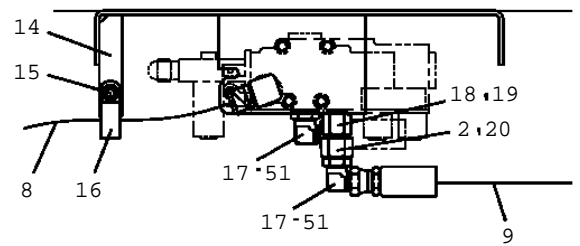
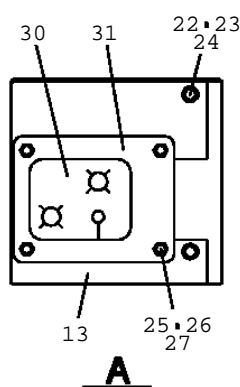
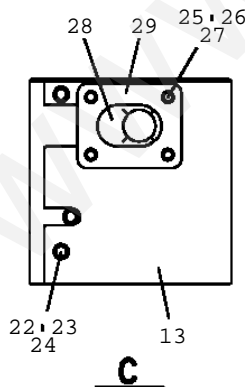
www.AutoEPC.com

TM-ZE300 41044507044A FRAME/HOOK-IN(AWL)
 PB1910207-00 PIPING (VALVE)



ZE300STD·SL

ZE360STD



B

TM-ZE300 41044507044A FRAME/HOOK-IN(AWL)

Pos No.	Parts No	Parts Name	Qty	Unit	Technical Data	Serial No (Start)
1	37000924110	JOINT	1		S,G1/2-G1/2	
2	91002801800	O-RING	4		1B P18	
3	37000927810	JOINT	1			
4	80471020504	JOINT	1		HL205-04	
5	80400160182	JOINT (WITH O-RING)	2			
6	80400160203	JOINT (WITH O-RING)	1			
7	91803600400	CLIP	2		D=27-40	
8	37002503710	HOSE	1		L=3150	
9	37002414570	HOSE	1		L=2360	
10	90101210020	BOLT	1		M10X20	
11	90302041001	WASHER, SPRING	1		10	
12	37000713260	CLAMP ASSY	1		23	
13	31730932100	COVER	1			
14	31730932200	SUPPORT	1			
15	90186208020	BOLT, FLANGE	1		M8X20	
16	37000604210	CLAMP	1		D=36	
17	80430620800	JOINT	3			
18	37000930770	JOINT	1		S G3/8-G1/2	
19	91002801400	O-RING	1		1B P14	
20	37000927930	JOINT	1			
21	90201780800	NUT	6		M8	
22	90302040801	WASHER, SPRING	9		8	
23	90101208016	BOLT	5		M8X16	
24	90303070801	WASHER, PLAIN	6		8	
25	90101206014	BOLT	8		M6X14	
26	90302040601	WASHER, SPRING	8		6	
27	90303070601	WASHER, PLAIN	8		6	
28	31730932300	CUSHION	1			
29	31730932400	COVER	1			
30	31730947100	CUSHION	1			
31	31730932600	COVER	1			
32	37000701050	CLAMP ASSY	1		D=35	
33	37000713620	CLAMP ASSY	2			
51	91002801800	O-RING	5		1B P18	
61	91002802900	O-RING	1		1B P29	

TM-ZE300 41044507044A FRAME/HOOK-IN(AWL)
PB2000050-00 POWER TAKE OFF & PUMP

- 1
- POWER TAKE OFF ASSY
 - PTO ASSYの選定

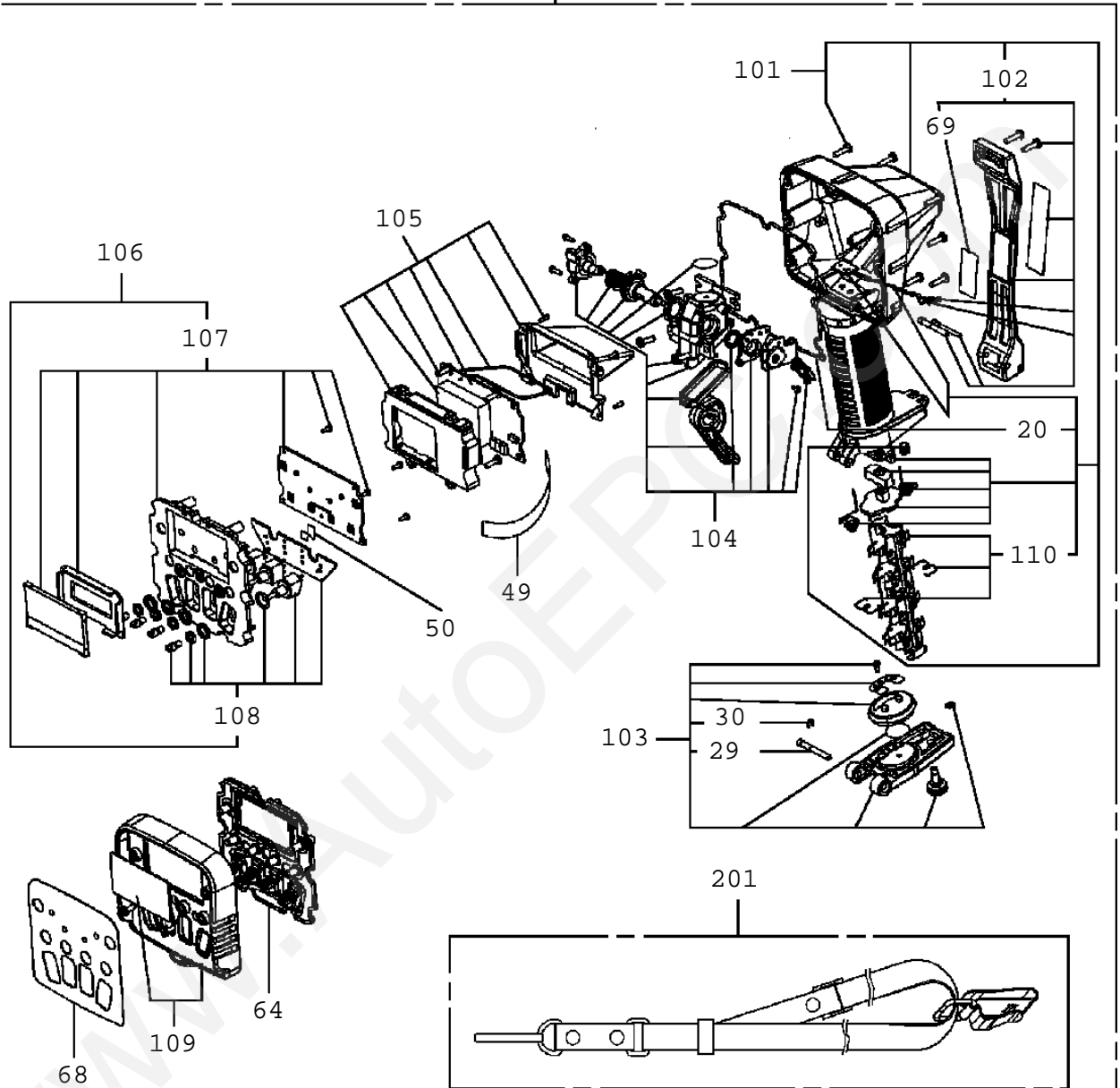
- 2
- PUMP ASSY
 - ポンプASSYの選定

TM-ZE300 41044507044A FRAME/HOOK-IN(AWL)

Pos No.	Parts No	Parts Name	Qty	Unit	Technical Data	Serial
1	(*****)	POWER TAKE OFF ASSY (SELECTION)	1			
2	(*****)	PUMP ASSY (SELECTION)	1			

www.AutoEPC.com

900



注意

1. 本体分解時には、指示番号20の「Oリング (ケース)」を併せて注文ください。
2. 「RF ASSY」を交換する場合は、指示番号69の「ラベル (コクイン)」も併せて注文ください。
3. お送りする「ラベル (コクイン)」には製造番号は印字されていないので記入してください。

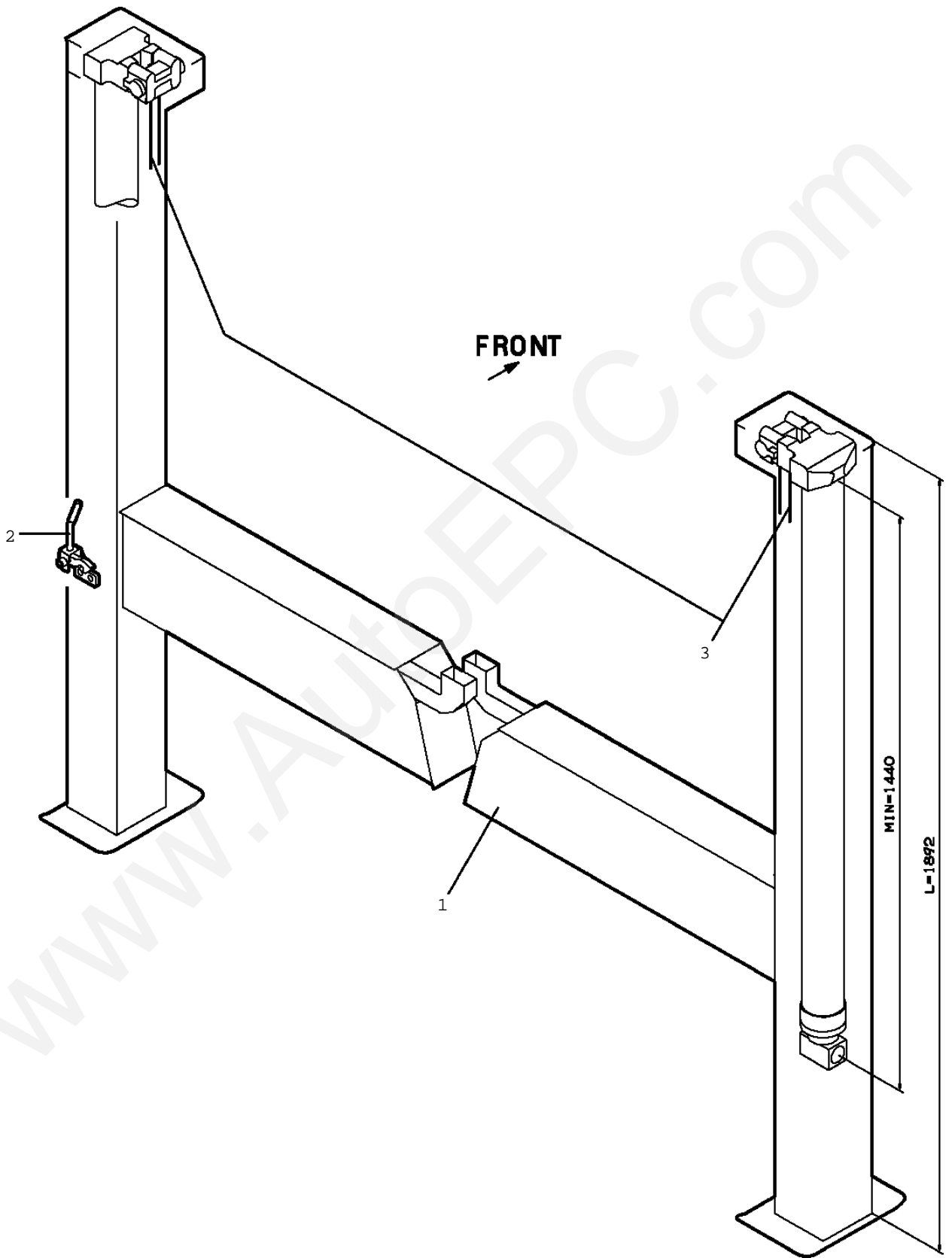
NOTICE

1. When disassembling the main unit, order a key No.20 「O-RING(CASE)」 beforehand.
2. When replacing 「RF ASSY」 order a Key No.69 「LABEL(SELIAL)」 beforehand.
3. Serial No.is not stamped on the 「LABEL(SELIAL)」 before shipment. Fill in the blank by yourself.

TM-ZE300 41044507044A FRAME/HOOK-IN(AWL)

Pos No.	Parts No	Parts Name	Qty	Unit	Technical Data	Serial No (Start)
20	36804915010	O-RING (CASE)	1			
29	36804915020	PIN	1			
30	36804915030	RING	1			
49	36805795020	HARNESS	1			
50	36805795030	HARNESS	1			
64	36804915060	RUBBER (FRONT)	1			
68	36806245010	PLATE,NAME	1			
69	36804915080	LABEL (SERIAL)	1			
101	36804917570	CASE ASSY (LOWER)	1			
102	36804915100	GUARD ASSY (HAND)	1			
103	36804915110	COVER ASSY (BATTERY)	1			
104	36806575010	LEVER ASSY (TRIGGER)	1			
105	36805825020	RF ASSY	1			
106	36804925030	PANEL ASSY (INNER)	1			
107	36804925040	PANEL ASSY (INNER)	1			
108	36804915150	SWITCH ASSY	1			
109	36804915160	CASE ASSY (FRONT)	1			
110	36804917530	HOLDER (BATTERY)	1			
201	36804915170	STRAP	1			
900	36806573000	BOX,OPERATION	1			

TM-ZE300 41044507044A FRAME/HOOK-IN(AWL)
PC1011339-01 OUTRIGGER (L=471,CASE:L=1892/FOR 4TON)

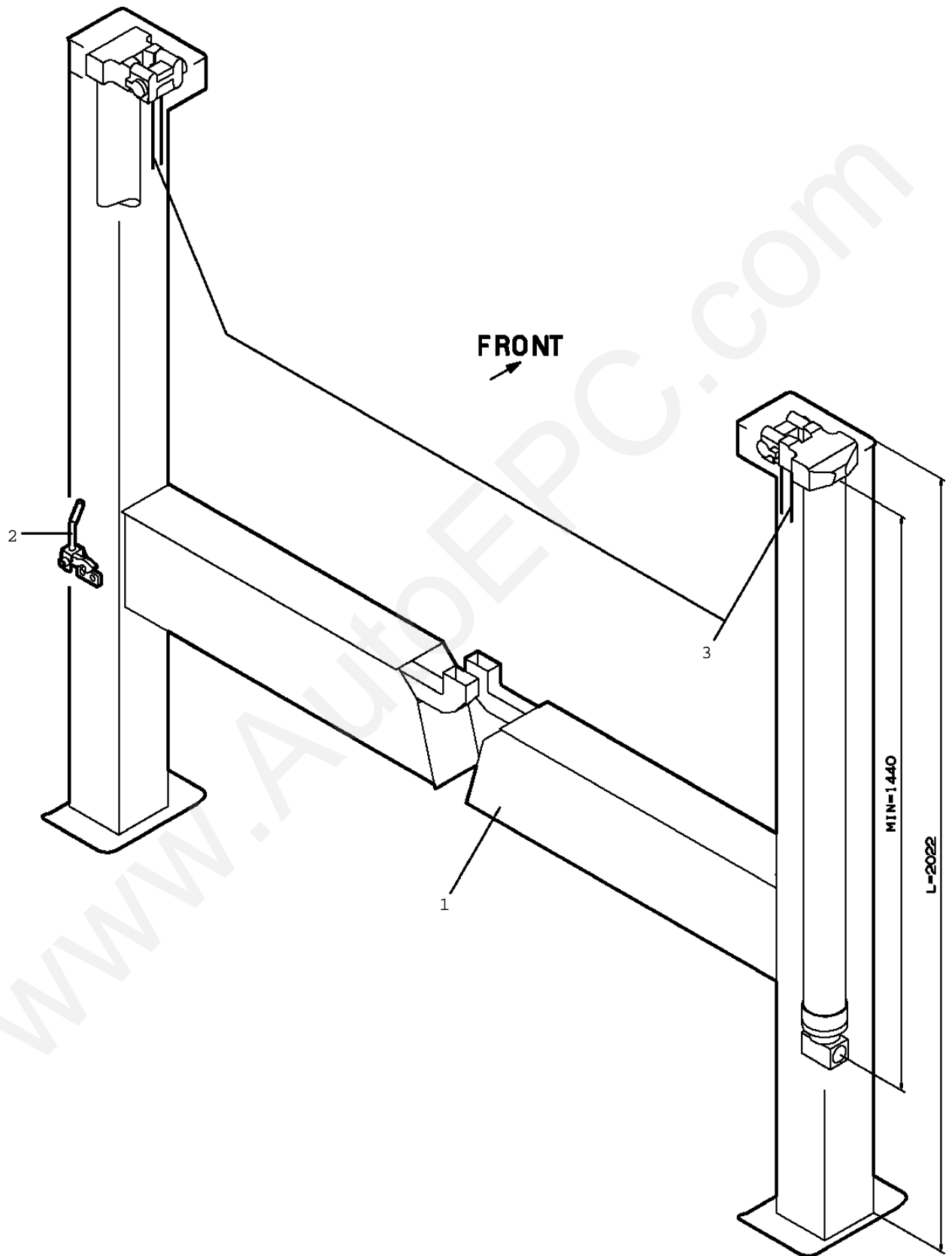


TM-ZE300 41044507044A FRAME/HOOK-IN(AWL)

Pos No.	Parts No	Parts Name	Qty	Unit	Technical Data	Serial :
1	(*****)	OUTRIGGER (L=471,CASE:L=1892)	1			
2	(*****)	LOCK ASSY	1			
3	(*****)	PIPING,OUTRIGGER	1			

www.AutoEPC.com

TM-ZE300 41044507044A FRAME/HOOK-IN(AWL)
PC1011356-01 OUTRIGGER (L=601,MIN=1440/FOR 7TON)

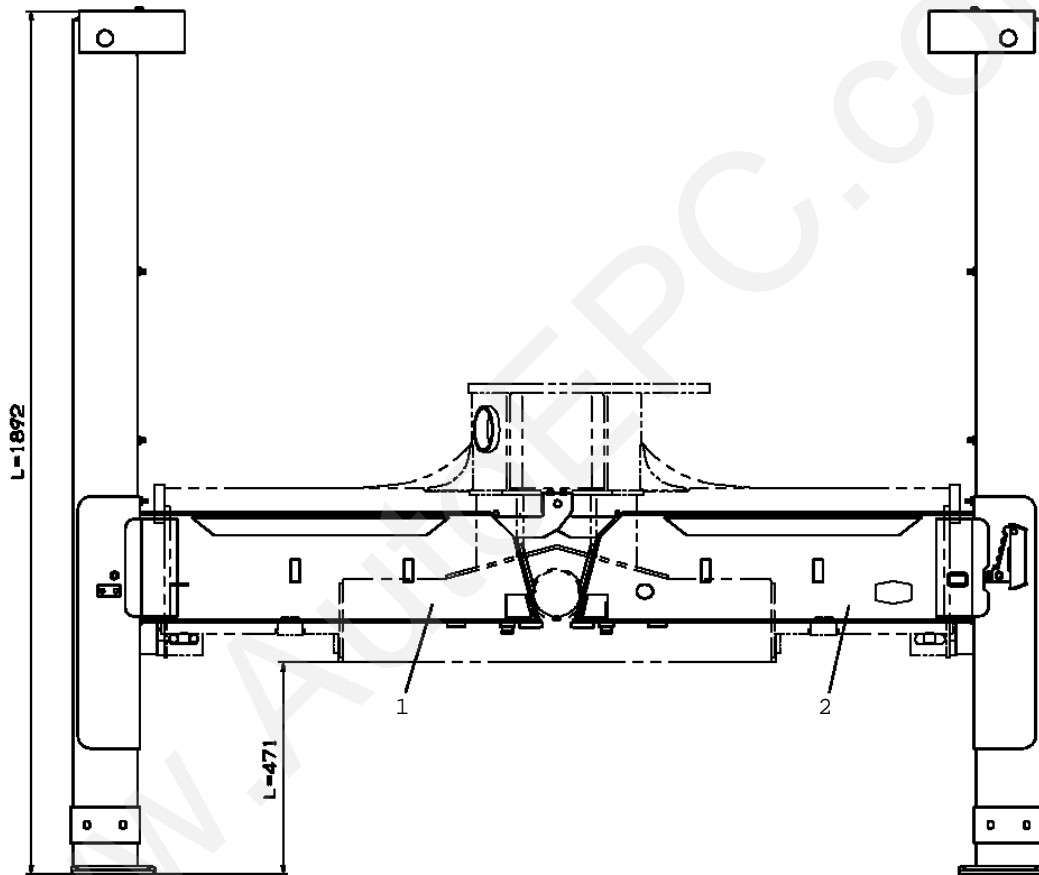


TM-ZE300 41044507044A FRAME/HOOK-IN(AWL)

Pos No.	Parts No	Parts Name	Qty	Unit	Technical Data	Serial :
1	(*****)	OUTRIGGER (L=601,CASE:L=2022)	1			
2	(*****)	LOCK ASSY	1			
3	(*****)	PIPING,OUTRIGGER	1			

www.AutoEPC.com

TM-ZE300 41044507044A FRAME/HOOK-IN(AWL)
PC1011382-01 OUTRIGGER (L=471,CASE:L=1892)

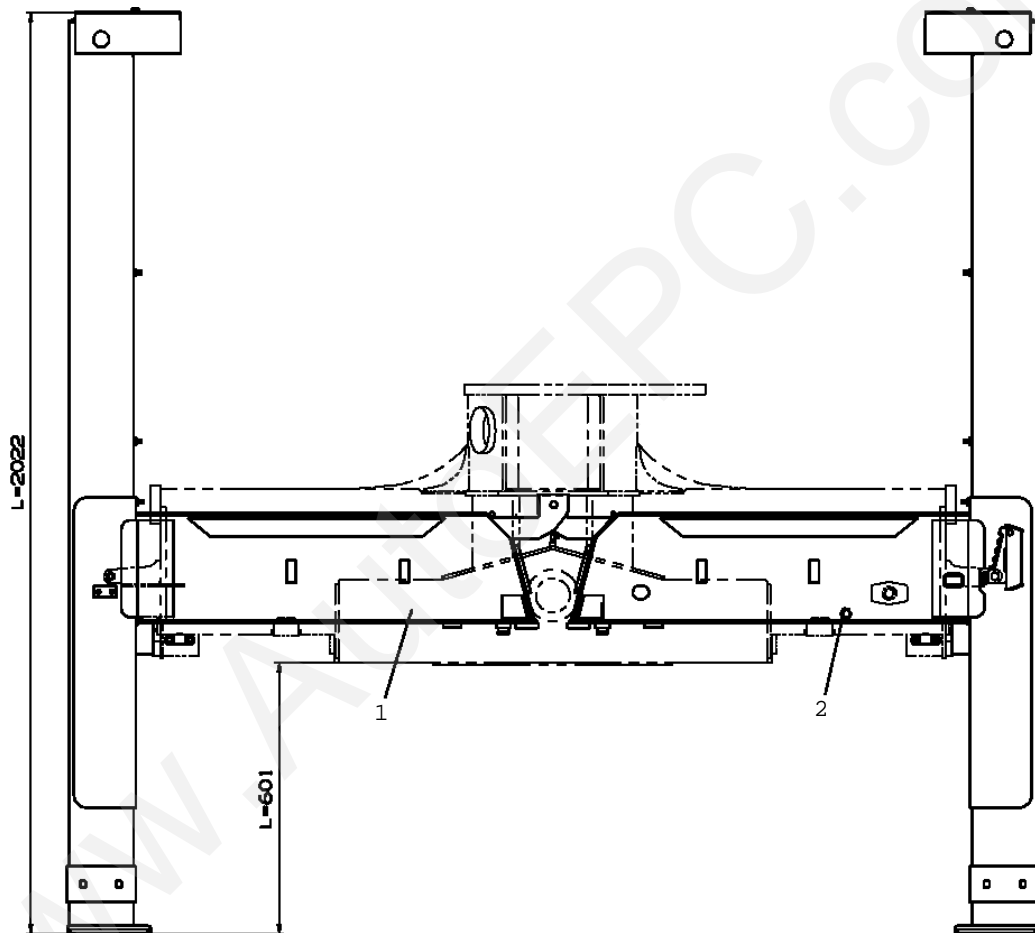


TM-ZE300 41044507044A FRAME/HOOK-IN(AWL)

Pos No.	Parts No	Parts Name	Qty	Unit	Technical D
1	31613690103	OUTRIGGER ASSY (LEFT/CASE:L=1892,MIN=1440)	1		
2	31613690203	OUTRIGGER ASSY (RIGHT/CASE:L=1892,MIN=1440)	1		

www.AutoEPC.com

TM-ZE300 41044507044A FRAME/HOOK-IN(AWL)
PC1011383-01 OUTRIGGER (L=601,CASE:L=2022)

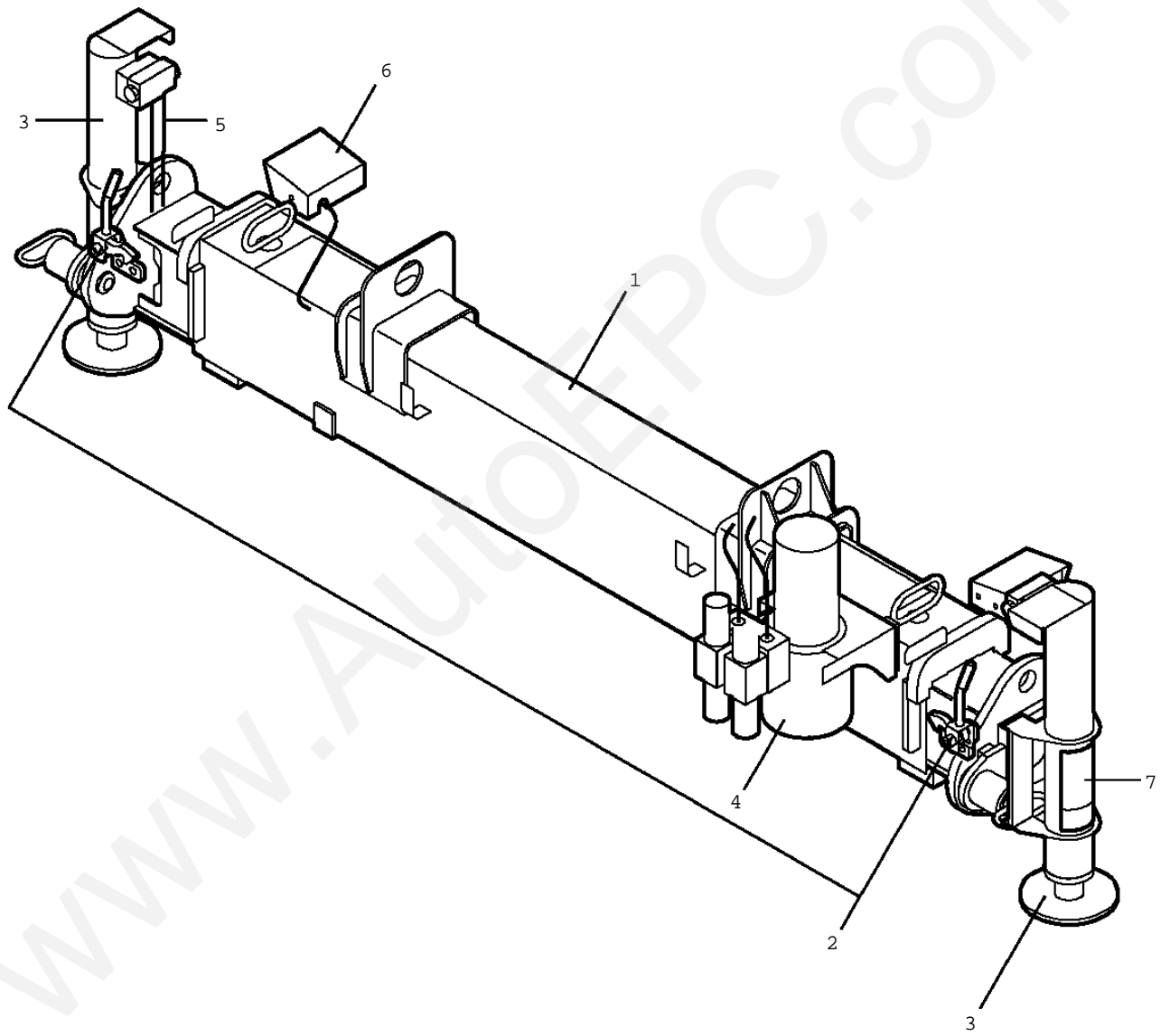


TM-ZE300 41044507044A FRAME/HOOK-IN(AWL)

Pos No.	Parts No	Parts Name	Qty	Unit	Technical D
1	31613870102	OUTRIGGER ASSY (LEFT/CASE:L=2022,MIN=1440)	1		
2	31613870202	OUTRIGGER ASSY (RIGHT/CASE:L=2022,MIN=1440)	1		

www.AutoEPC.com

TM-ZE300 41044507044A FRAME/HOOK-IN(AWL)
PC1020094-00 OUTRIGGER,REAR(ROTARY/POWER PACKAGE:WITH LOCK

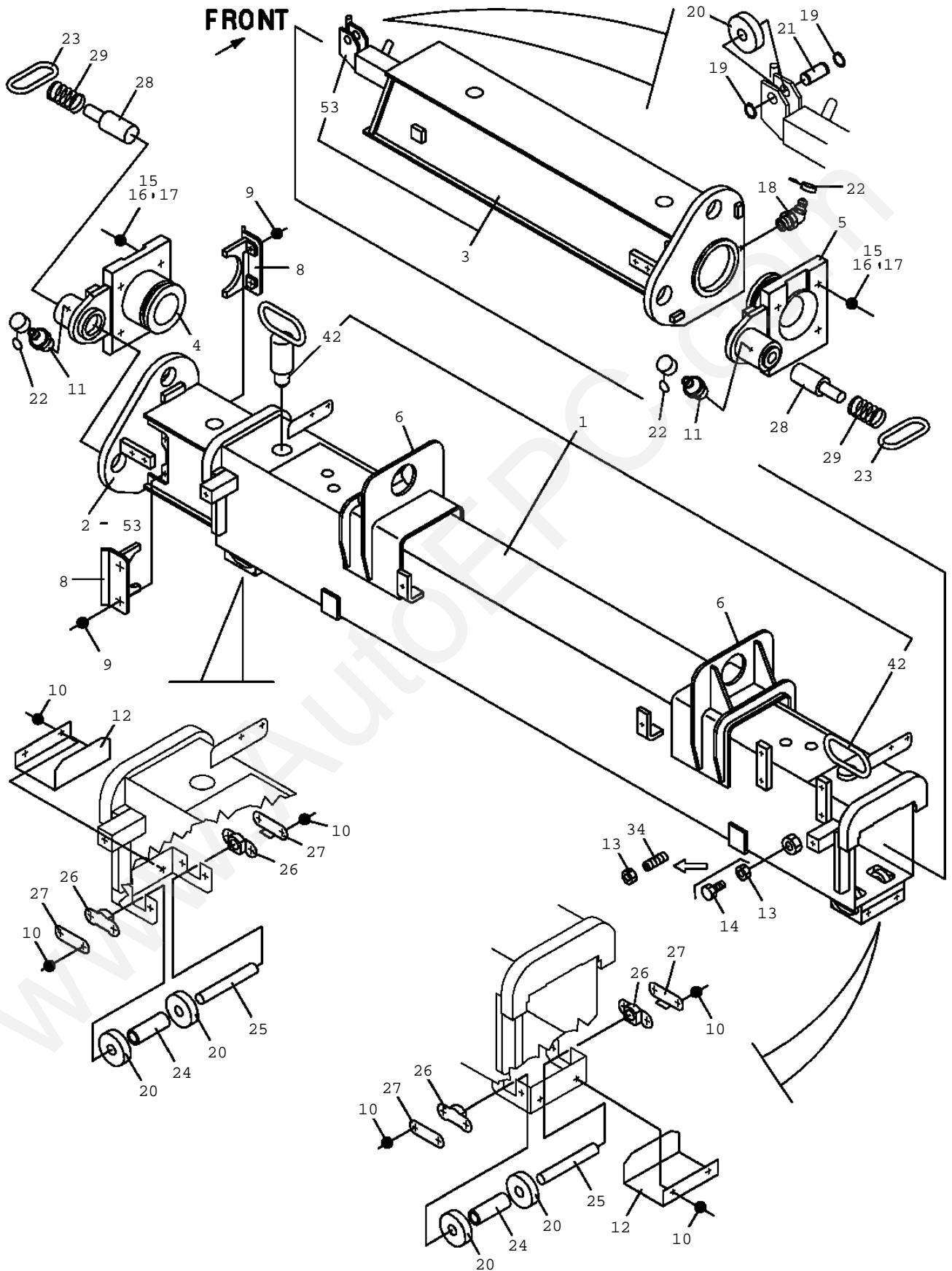


TM-ZE300 41044507044A FRAME/HOOK-IN(AWL)

Pos No.	Parts No	Parts Name	Qty	Unit	Technical Data	Serial
1	(*****)	OUTRIGGER,REAR (FRAME)	1			
2	(*****)	LOCK ASSY	1			
3	(*****)	CYLINDER,JACK (REAR OUTRIGGER)	2			
4	(*****)	PIPING,REAR JACK (1)	1			
5	(*****)	PIPING,REAR JACK (2,ROTARY)	1			
6	(*****)	ELEC. ASSY	1			
7	(*****)	PLATE ASSY,NAME	1			

www.AutoEPC.com

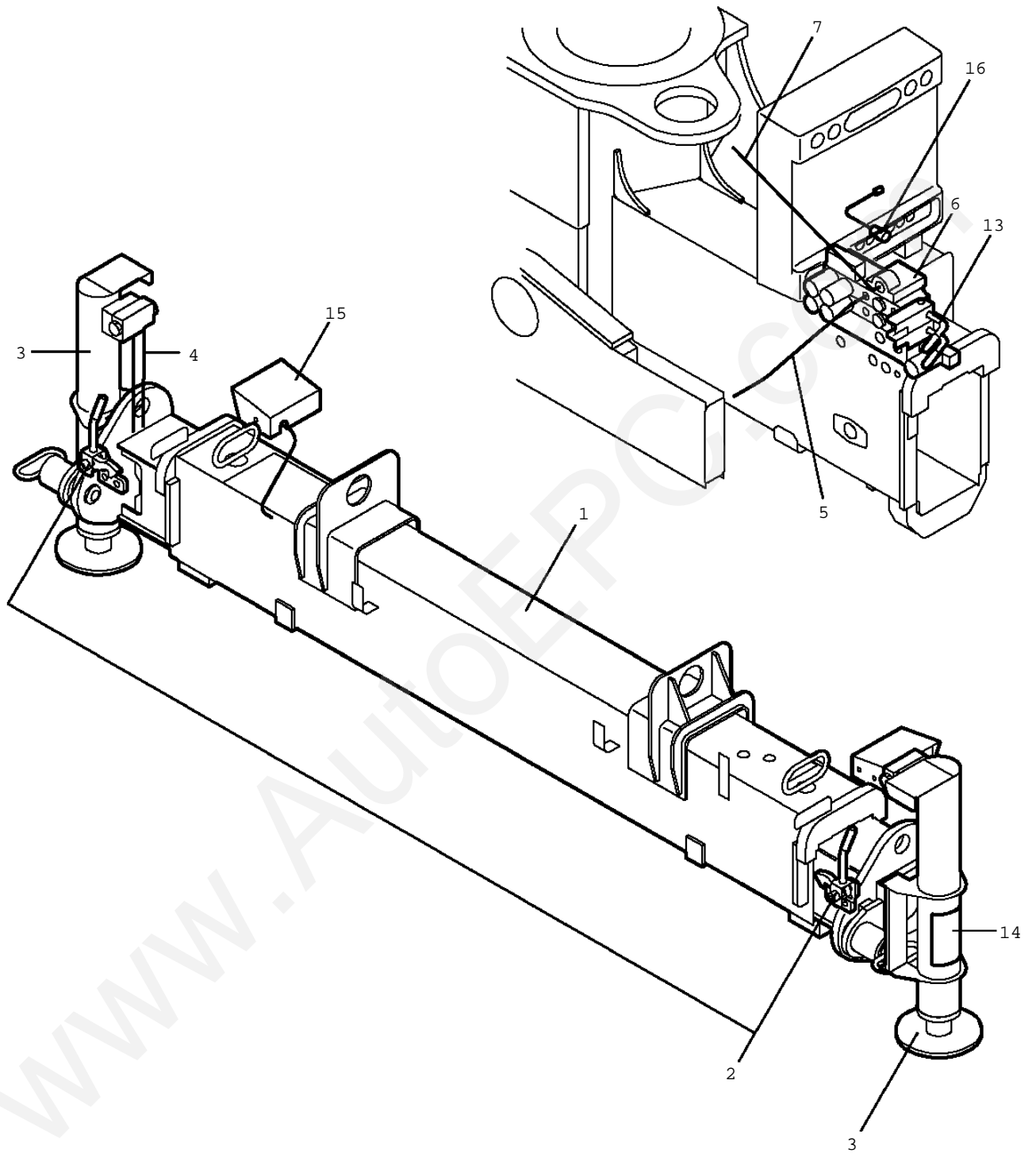
TM-ZE300 41044507044A FRAME/HOOK-IN(AWL)
PC1020095-01 OUTRIGGER,REAR (FRAME)



TM-ZE300 41044507044A FRAME/HOOK-IN(AWL)

Pos No.	Parts No	Parts Name	Qty	Unit	Technical Data	Serial No (Start)
1	31624981000	CASE, OUTER	1			
2	31624982000	CASE, INNER	1			
3	31624983000	CASE, INNER	1			
4	31622004000	SUPPORT (LEFT)	1			
5	31622005000	SUPPORT (RIGHT)	1			
6	31621510100	SUPPORT	2			
8	31622000100	SUPPORT	4			
9	90186208014	BOLT, FLANGE	8		M8X14	
10	90186208010	BOLT, FLANGE	12		M8X10	
11	82456101000	NIPPLE, GREASE	2		A-PT1/8	
12	31622000200	COVER	2			
13	90203201600	NUT	2		M16	
15	90142714025	BOLT, STUD	8			
16	90302041401	WASHER, SPRING	8		14	
17	90201481400	NUT	8		M14	
18	82458102000	NIPPLE, GREASE	2		B-PT1/8	
19	80601110150	RING, RITAINING	4		15	
20	31620582020	BEARING, BALL (KOYO)	6			
21	37000134180	PIN	2			
22	82400000459	CAP	4			
23	37003100030	GRIP	2			
24	37000309980	SPACER	2		L=60	
25	37000161010	PIN	2			
26	31621962100	SUPPORT	4			
27	31621962200	PLATE	12		T=0.5	
28	31621340200	PIN	2			
29	37001200720	SPRING	2			
34	90720716450	SCREW, SET	2		M16X45	
42	31620580100	PIN ASSY	2			
53	31623679510	SUPPORT ASSY	2			

TM-ZE300 41044507044A FRAME/HOOK-IN(AWL)
PC1020097-00 OUTRIGGER,REAR (ROTARY/SOLENOID VALVE)

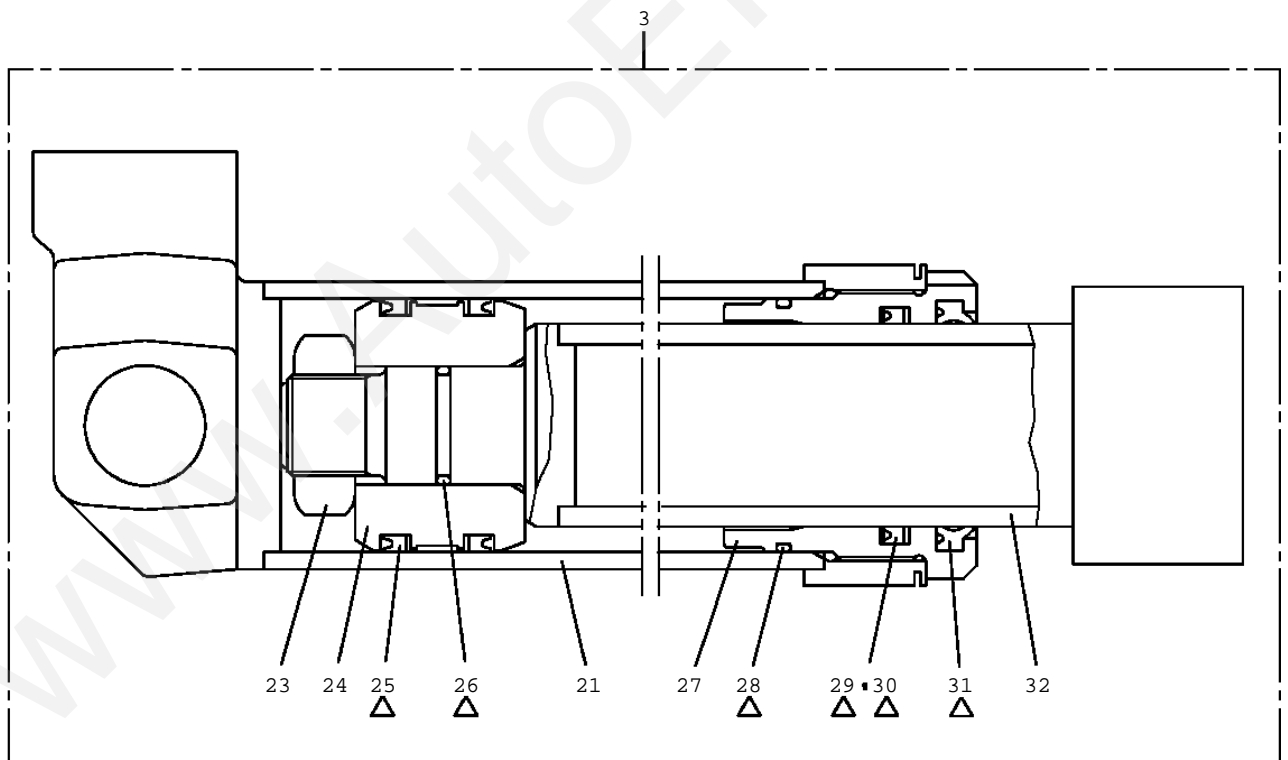
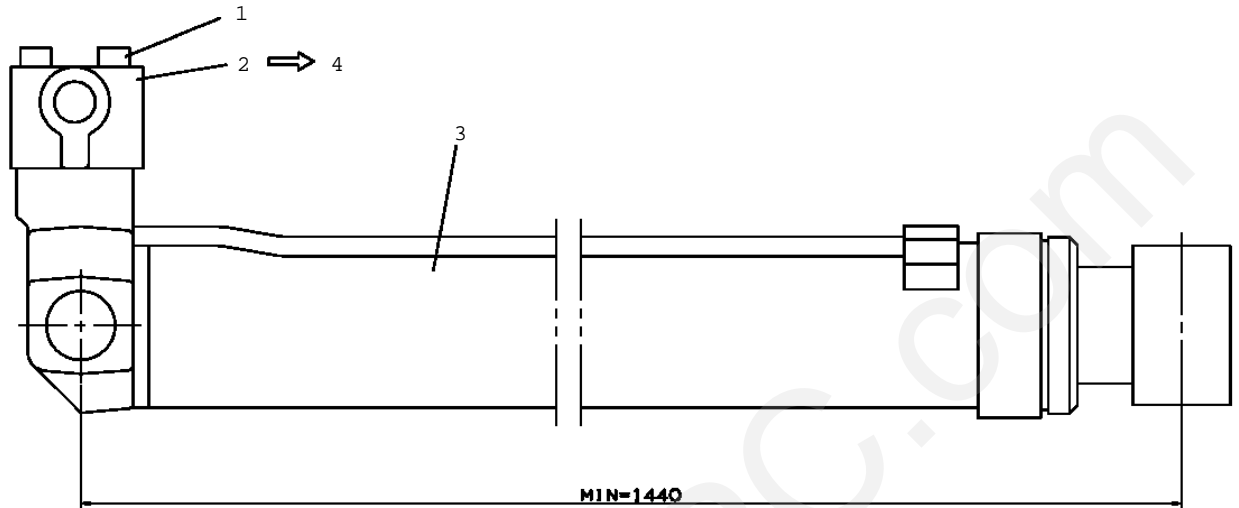


TM-ZE300 41044507044A FRAME/HOOK-IN(AWL)

Pos No.	Parts No	Parts Name	Qty	Unit	Technical Data	Seri
1	(*****)	OUTRIGGER,REAR (FRAME)	1			
2	(*****)	LOCK ASSY	1			
3	(*****)	CYLINDER,JACK (REAR OUTRIGGER)	2			
4	(*****)	PIPING,REAR JACK (2,ROTARY)	1			
5	(*****)	PIPING,REAR JACK (1)	1			
6	36740770001	VALVE,REMOTE CONTROL	1			
7	(*****)	PIPING (OPT.VALVE-MAIN VALVE)	1			
13	(*****)	OPE.ASSY,CONT.VALVE	1			
14	(*****)	PLATE ASSY,NAME (REAR OUTRIGGER)	1			
15	(*****)	ELEC.ASSY (FOR REAR OUTRIGGER)	1			
16	(*****)	ELEC.ASSY (EMERGENCY SWITCH)	1			

www.AutoEPC.com

TM-ZE300 41044507044A FRAME/HOOK-IN(AWL)
PC1030214-03 CYLINDER,JACK (MIN=1440)



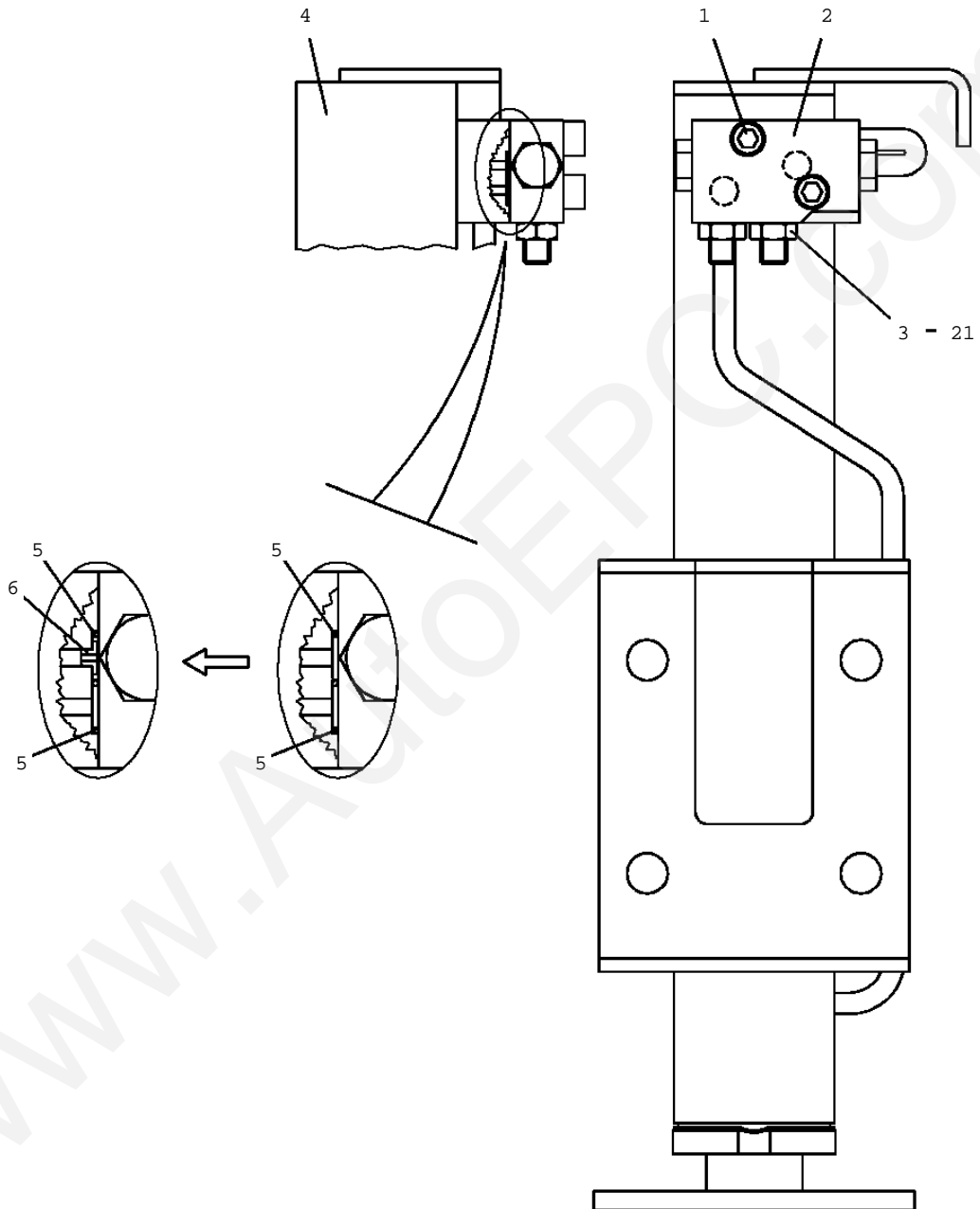
Δ:PACKING SET KEY NO. 40 (KEY NO.25,26,28,29,30,31)

TM-ZE300 41044507044A FRAME/HOOK-IN(AWL)

Pos No.	Parts No	Parts Name	Qty	Unit	Technical Data	Serial N
1	90172110065	BOLT,HEXAGON SOCKET	4		M10X65	
3	36034070000	CYLINDER,JACK	1			
4	36624690000	VALVE,PILOT CHECK	1			
21	36034071000	CYLINDER	1			
23	90211203000	NUT	1		M30X3/2	
24	36032110300	PISTON	1			
25	91350207500	BEARING,PLAIN (WITH PACKINGX2)	1			
26	91002903000	O-RING	1		1B G30	
27	36033523000	COVER,ROD	1			
28	91002907000	O-RING	1		1B G70	
29	91694006000	PACKING	1			
30	91410206002	RING,BACKUP	1			
31	91660006001	SEAL,DUST	1			
32	36034072000	ROD	1			
40	36034079900	PACKING SET	1		60X75	

www.AutoEPC.com

TM-ZE300 41044507044A FRAME/HOOK-IN(AWL)
PC1030301-02 CYLINDER,JACK (REAR OUTRIGGER)

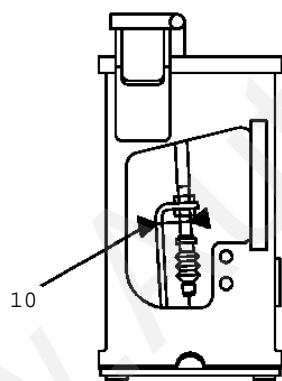
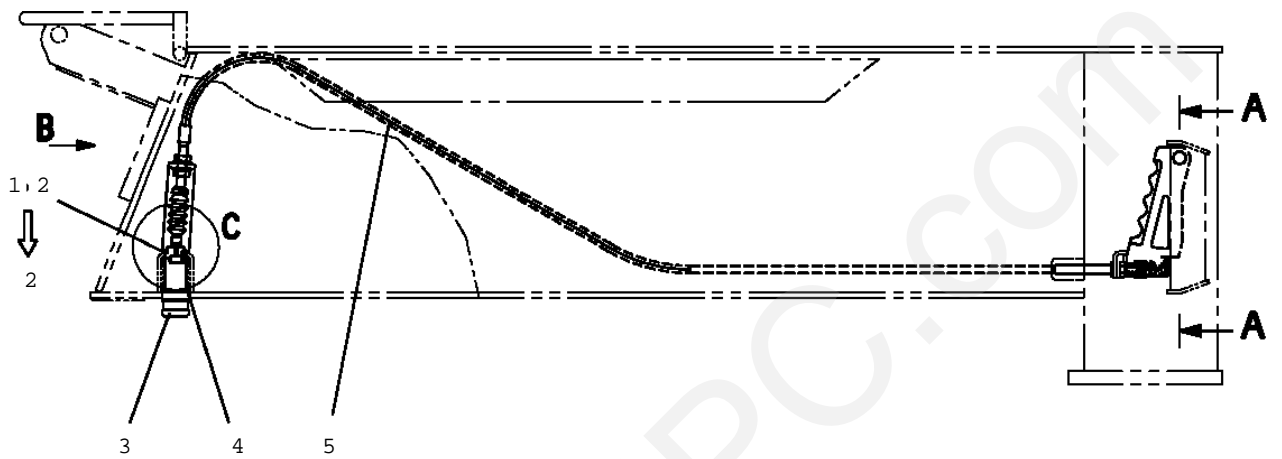


TM-ZE300 41044507044A FRAME/HOOK-IN(AWL)

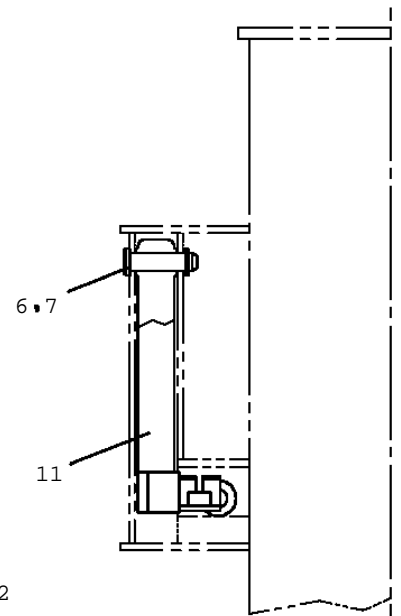
Pos No.	Parts No	Parts Name	Qty	Unit	Technical Data	Serial No (Start)
1	90172110035	BOLT,HEXAGON SOCKET	2		M10X35	
2	36623930000	VALVE,PILOT CHECK	1			
3	80491002020	JOINT (WITH O-RING)	2			
4	36034730001	CYLINDER ASSY,JACK	1			
5	91002801000	O-RING	2		1B P10	
6	42610020510	CHOKE	1			
21	91002801100	O-RING	2		1B P11	

www.AutoEPC.com

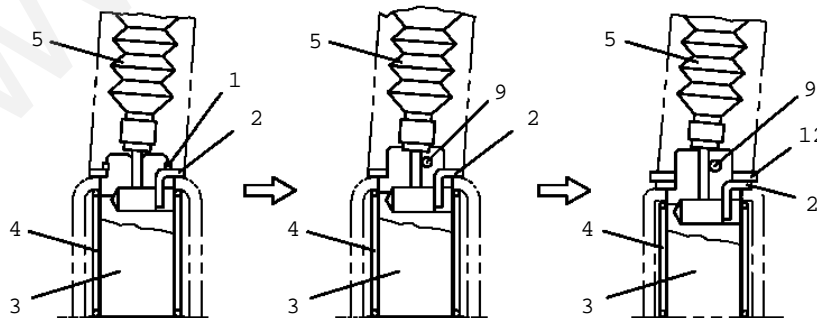
TM-ZE300 41044507044A FRAME/HOOK-IN(AWL)
PC1100146-05 OPE.ASSY,OUTRIGGER



B



A-A



C

TM-ZE300 41044507044A FRAME/HOOK-IN(AWL)

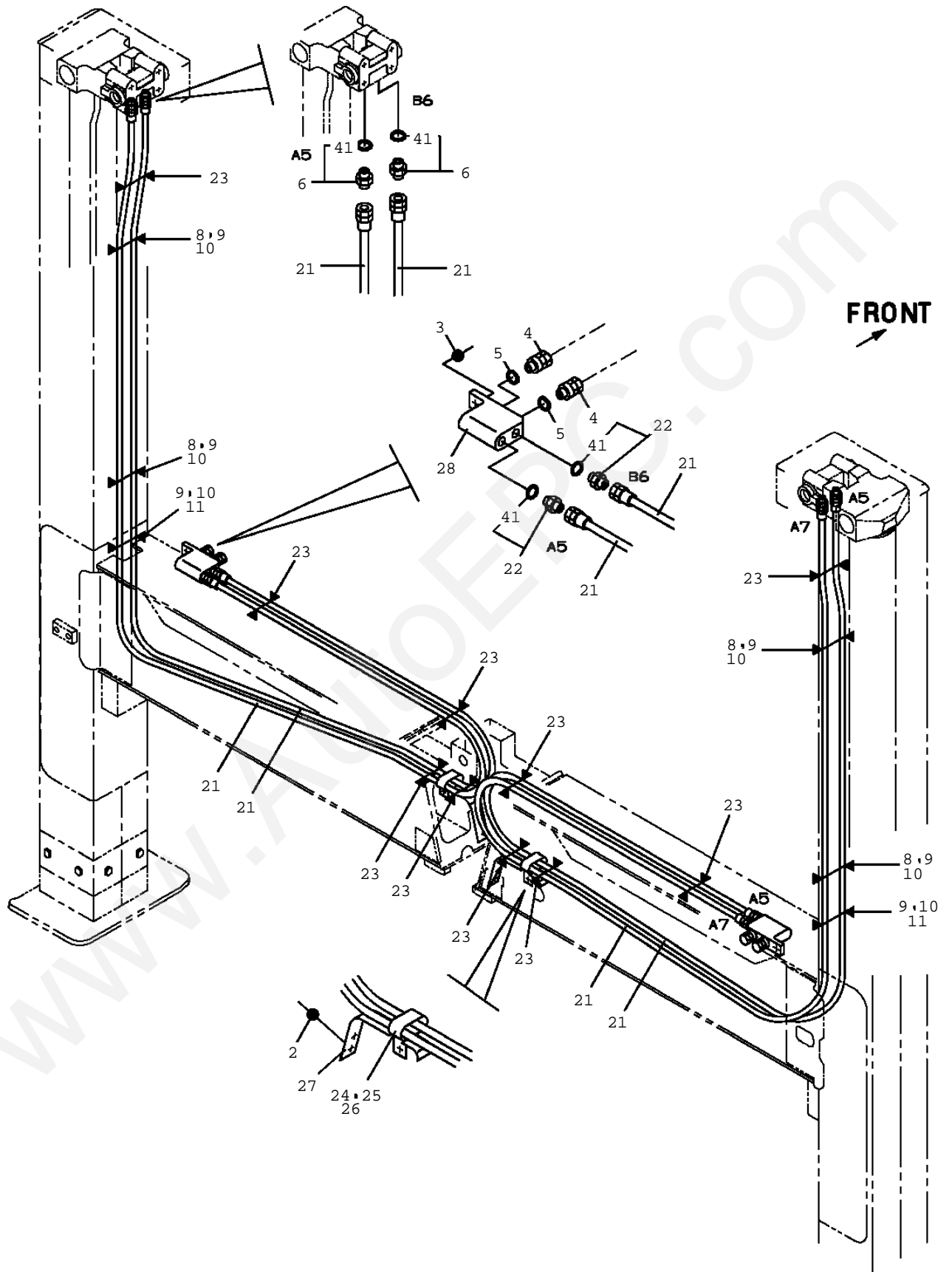
Pos No.	Parts No	Parts Name	Qty	Unit	Technical Data	Serial No
2	31330920700	PLATE	1			
3	31331610100	PIN	1			
4	37001201380	SPRING	1			
5	37001707580	CABLE,CONTROL (MICHANG CABLE)	1			
6	37000161150	PIN	1			
7	80613310060	RING,RITAINING	1		6	
9	80136332020	PIN,SPLIT	1		3.2X20	
10	91810130250	FASTENER	1			
11	31330921100	GRIP	1			
12	90303071401	WASHER,PLAIN	1		14	

www.AutoEPC.com

TM-ZE300 41044507044A FRAME/HOOK-IN(AWL)

Pos No.	Parts No	Parts Name	Qty	Unit	Technical Data	Serial No (Start)
2	90186208014	BOLT, FLANGE	4		M8X14	
3	90186210014	BOLT, FLANGE	2		M10X14	
4	37000924350	FITTING	4			
5	91002801100	O-RING	4		1B P11	
6	31648540101	JOINT	2			
7	91002801200	O-RING	4		1B P12	
8	36180170000	SENDER, PRESSURE	4			
9	90172110090	BOLT, HEXAGON SOCKET	8		M10X90	
10	80491002020	JOINT (WITH O-RING)	4			
12	91810130240	FASTENER	6			
13	82100002039	CLAMP	4			
14	90240200800	NUT, CAP	8		M8	
15	90302040801	WASHER, SPRING	8		8	
16	37000600920	CLAMP	2		L=90	
31	31648531101	HARNES	2			
32	37002410830	HOSE, TWIN	2		L=2800	
33	80491002020	JOINT (WITH O-RING)	4			
34	31644591450	JOINT	2			
35	31642591240	CLAMP	2		12X2	
36	90186208014	BOLT, FLANGE	2		M8X14	
37	90280200800	NUT, FLANGE	2		M8	
38	31648501500	SUPPORT	2			
39	91810130240	FASTENER	12			
40	31648501300	CLAMP	4			
41	31648501400	CLAMP	2			
42	91810130250	FASTENER	2			
52	80316030040	PLUG	4		PT1/4	
61	91002801400	O-RING	4		1B P14	
71	91002801100	O-RING	8		1B P11	

TM-ZE300 41044507044A FRAME/HOOK-IN(AWL)
PC1200599-00 PIPING,OUTRIGGER

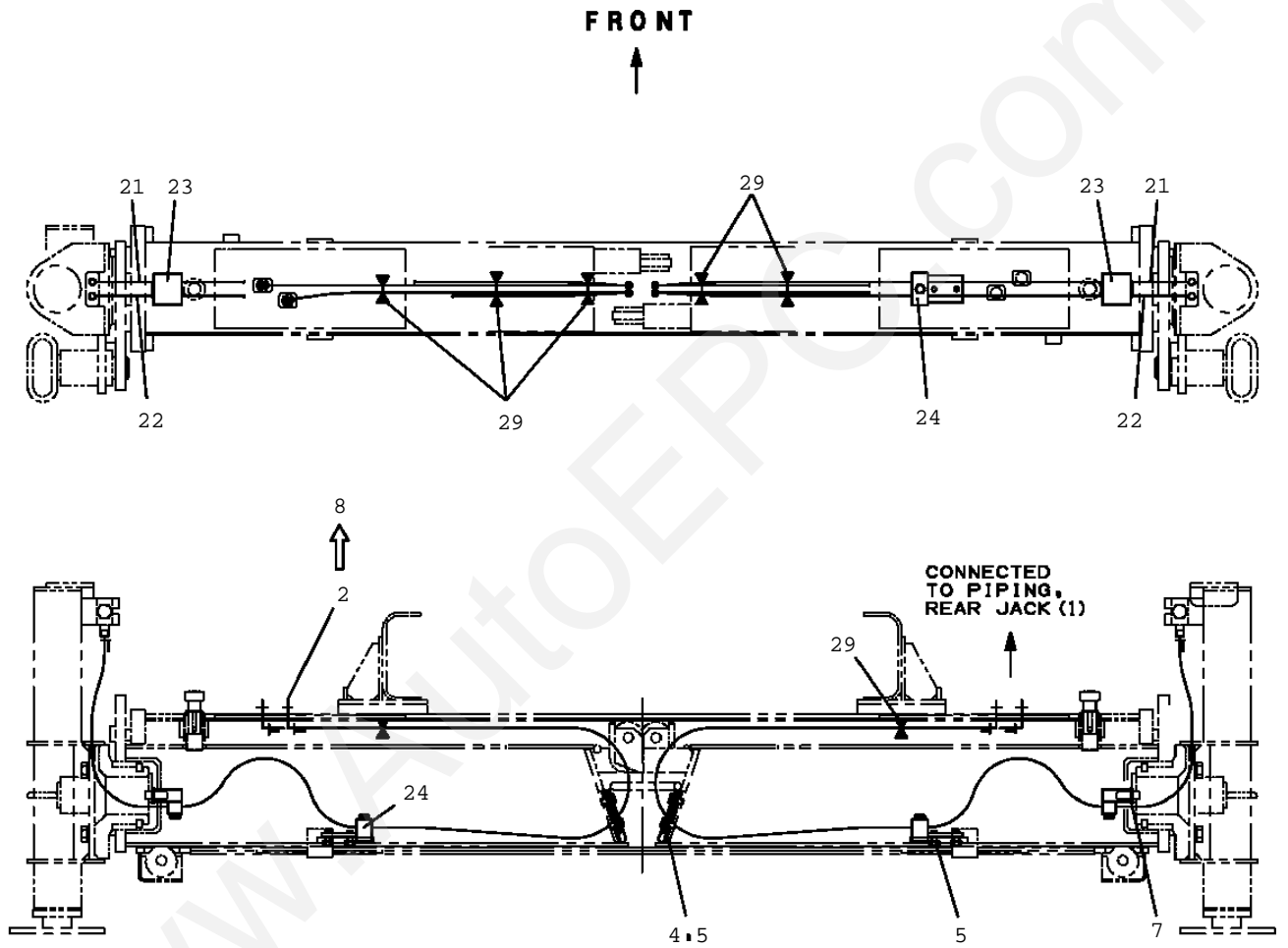


TM-ZE300 41044507044A FRAME/HOOK-IN(AWL)

Pos No.	Parts No	Parts Name	Qty	Unit	Technical Data	Serial No (Start)
2	90186208014	BOLT, FLANGE	4		M8X14	
3	90186210014	BOLT, FLANGE	2		M10X14	
4	37000924350	FITTING	4			
5	91002801100	O-RING	4		1B P11	
6	80491002020	JOINT (WITH O-RING)	4			
8	82100002039	CLAMP	4			
9	90240200800	NUT, CAP	8		M8	
10	90302040801	WASHER, SPRING	8		8	
11	37000600920	CLAMP	2		L=90	
21	37002450050	HOSE	4		L=2800	
22	80491002020	JOINT (WITH O-RING)	4			
23	91810130240	FASTENER	10			
24	31642591240	CLAMP	2		12X2	
25	90186208014	BOLT, FLANGE	2		M8X14	
26	90280200800	NUT, FLANGE	2		M8	
27	31648671200	SUPPORT	2			
28	31644591450	JOINT	2			
41	91002801100	O-RING	8		1B P11	

www.AutoEPC.com

TM-ZE300 41044507044A FRAME/HOOK-IN(AWL)
PC1230021-03 PIPING,REAR JACK (2,ROTARY)

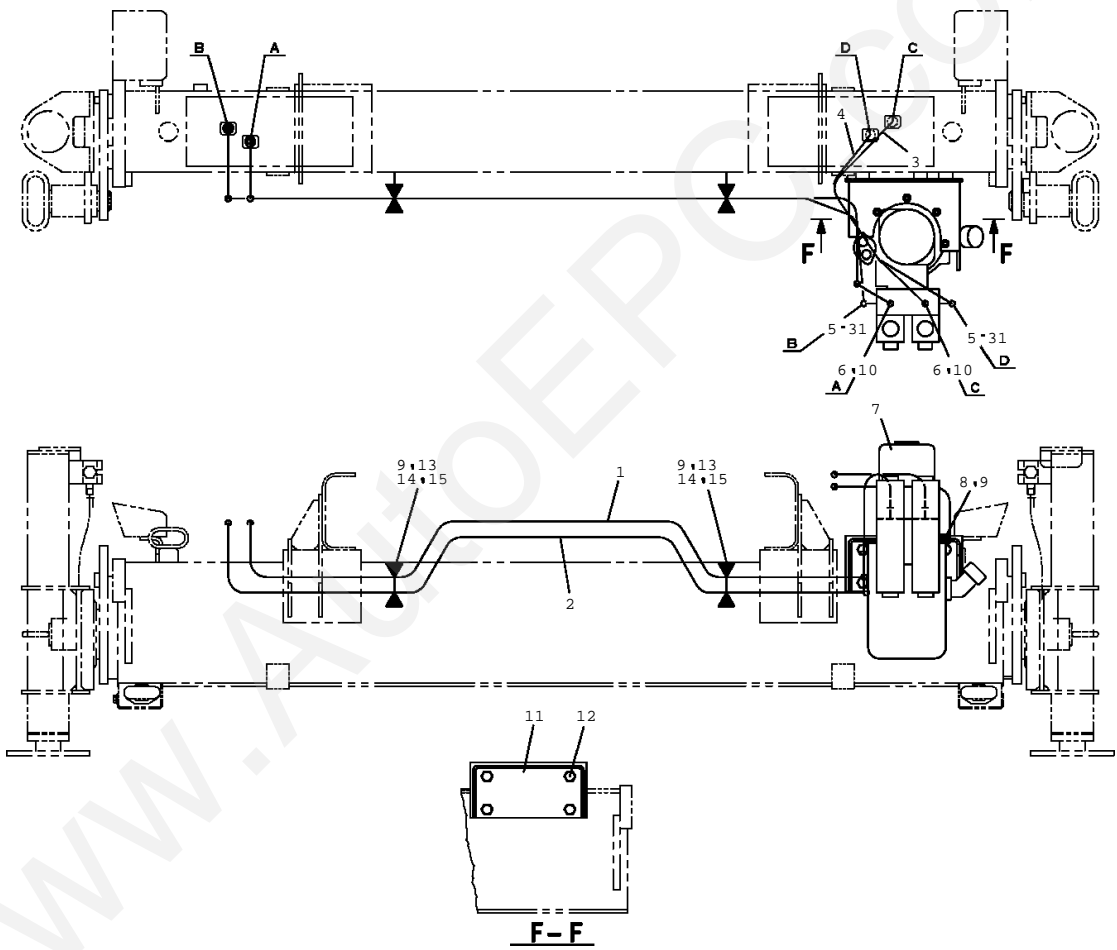


TM-ZE300 41044507044A FRAME/HOOK-IN(AWL)

Pos No.	Parts No	Parts Name	Qty	Unit	Technical Data	Serial No (Start)	Serial :
4	31642730100	SUPPORT	2				
5	90186208014	BOLT, FLANGE	12		M8X14		
7	90303071201	WASHER, PLAIN	2		12		
8	37000924770	JOINT	4				
21	37002417360	HOSE	2		L=1800		
22	37002450860	HOSE	2		L=1760		
23	31642730300	CLAMP ASSY	2				
24	31642730200	CLAMP ASSY	2				
29	91810130240	FASTENER	6				

www.AutoEPC.com

TM-ZE300 41044507044A FRAME/HOOK-IN(AWL)
PC1230061-00 PIPING,REAR JACK (1)

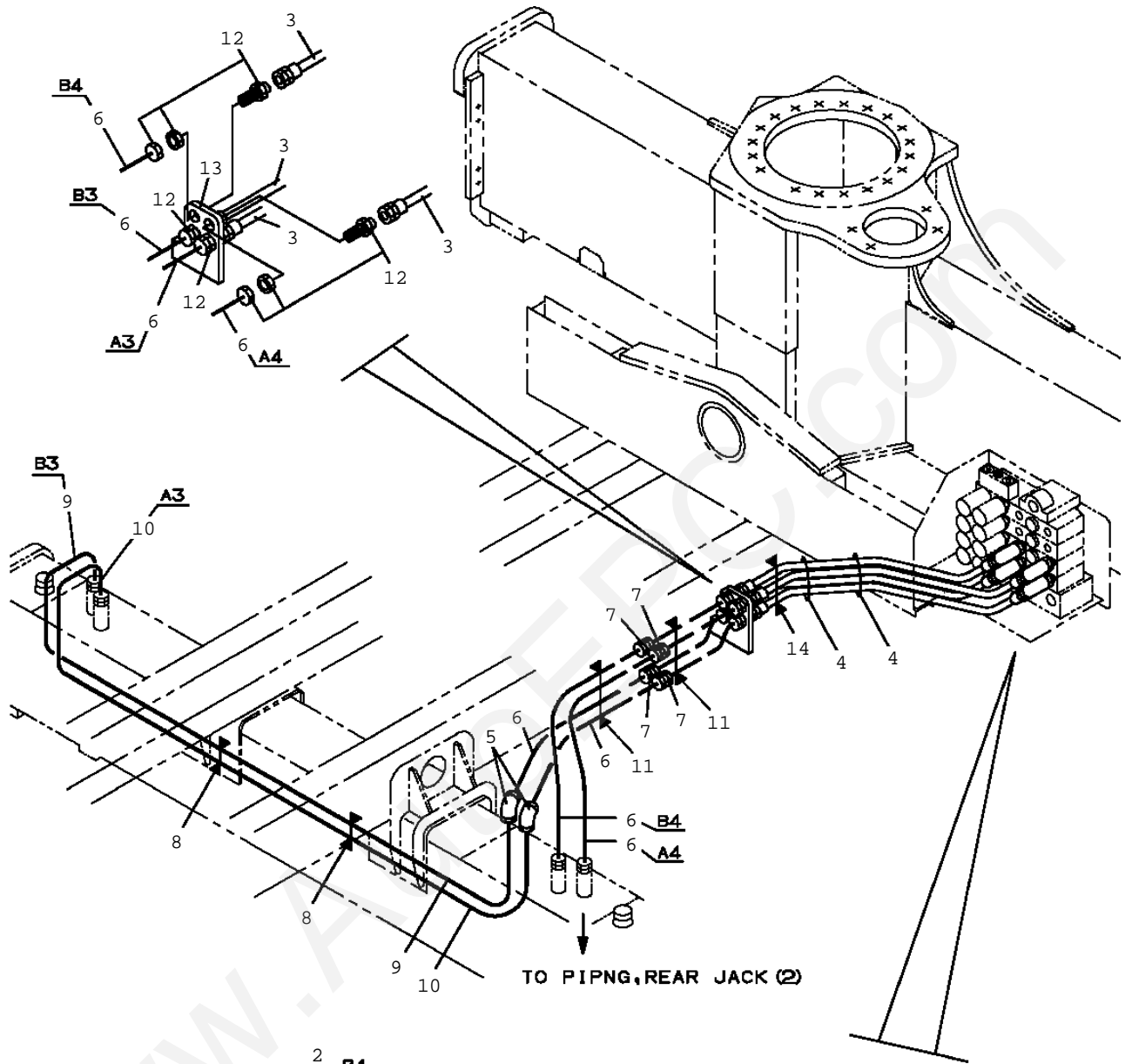


TM-ZE300 41044507044A FRAME/HOOK-IN(AWL)

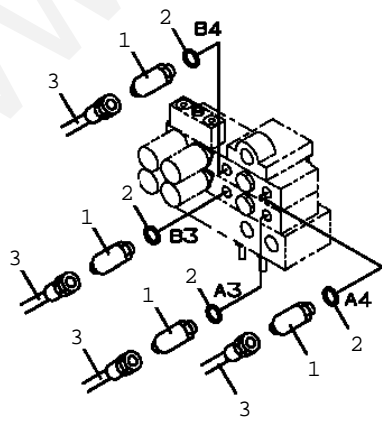
Pos No.	Parts No	Parts Name	Qty	Unit	Technical Data	Serial No (Start)
1	31648860010	PIPE	1			
2	31648860020	PIPE	1			
3	31648860030	PIPE	1			
4	31648860040	PIPE	1			
5	80303130101	FITTING, ELBOW	2		KLO10-020E	
6	80302090101	FITTING	2		KCO10-020N	
7	31611613101	POWER SUPPLY	1			
8	90172108018	BOLT, HEXAGON SOCKET	4		M8X18	
9	90302040801	WASHER, SPRING	6		8	
10	91002801100	O-RING	2		1B P11	
11	31645360100	SUPPORT	1			
12	90186210014	BOLT, FLANGE	4		M10X14	
13	37005700130	CLAMP	2		10X2	
14	90101208035	BOLT	2		M8X35	
15	90303070801	WASHER, PLAIN	2		8	
31	91002801100	O-RING	2		1B P11	

www.AutoEPC.com

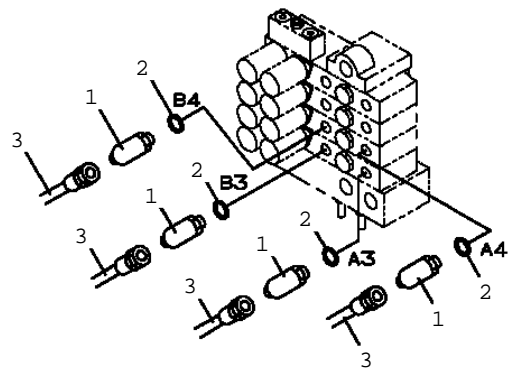
TM-ZE300 41044507044A FRAME/HOOK-IN(AWL)
 PC1230062-01 PIPING,REAR JACK (1)



TO PIPNG,REAR JACK (2)



(2連バルブの場合)
 リヤアウトリガ



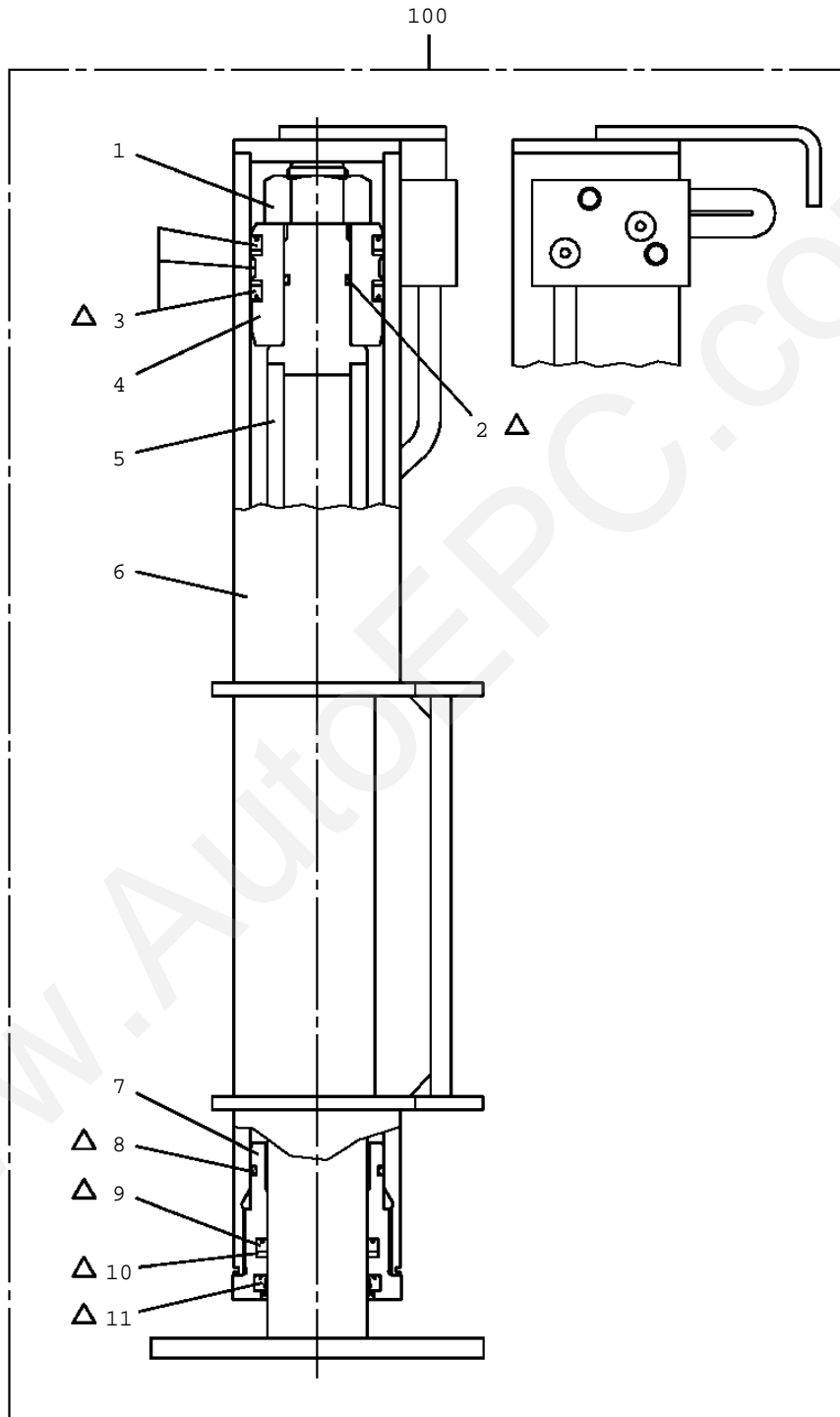
(4連バルブの場合)
 リヤアウトリガ,セルフウィンチ,サービスポート

TM-ZE300 41044507044A FRAME/HOOK-IN(AWL)

Pos No.	Parts No	Parts Name	Qty	Unit	Technical Data	Serial No (Start)	Serial
1	80481403020	JOINT	4				
2	91002801400	O-RING	4		1B P14		
3	37002417350	HOSE	4		L=1060		
4	91810130240	FASTENER	2				
5	80303010080	FITTING, ELBOW	2		KLA10-000N		
6	81408000120	PIPE, STEEL	3	M	10X1.5T		
7	80301010080	FITTING	4		KUA10-000E		
8	37000714330	CLAMP ASSY	2				
9	31645331010	PIPE	1				
10	31645331020	PIPE	1				
11	37000714320	CLAMP ASSY	2				
12	80320410020	FITTING	4				
13	37000560350	SUPPORT	1				
14	31642991100	CLAMP ASSY	1				

www.AutoEPC.com

TM-ZE300 41044507044A FRAME/HOOK-IN(AWL)
PC6390047-01 CYLINDER ASSY,JACK



△:PACKING SET KEY NO.50 (KEY NO.2,3,8,9,10,11)

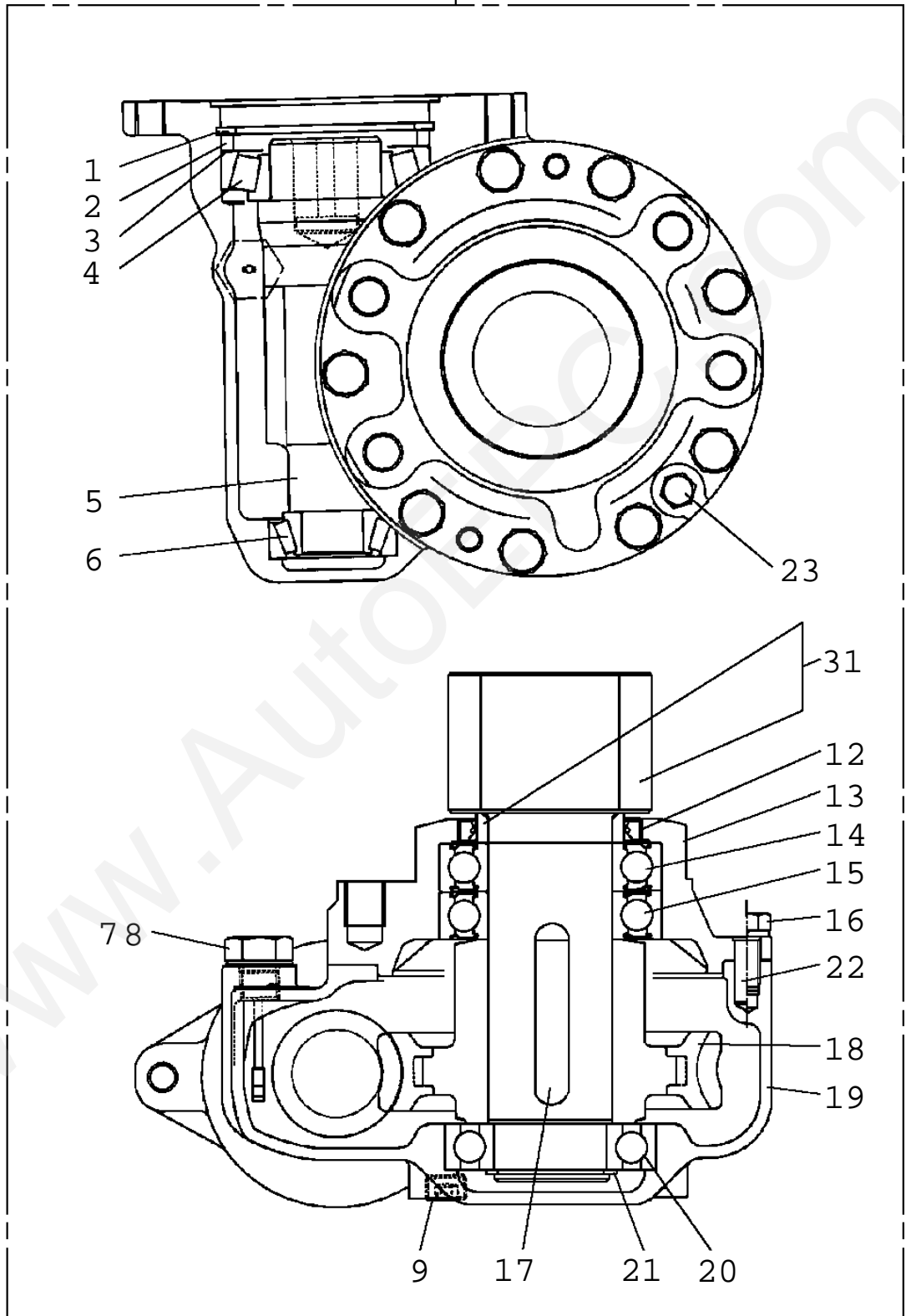
TM-ZE300 41044507044A FRAME/HOOK-IN(AWL)

Pos No.	Parts No	Parts Name	Qty	Unit	Technical Data	Serial N
1	37001601420	NUT	1		M27X2	
2	91002902500	O-RING	1		1B G25	
3	91350206000	BEARING,PLAIN (WITH PACKINGX2)	1			
4	36013823000	PISTON	1			
5	36033162000	ROD	1			
6	36034731002	CYLINDER	1			
7	36013823200	COVER,ROD	1			
8	91002905500	O-RING	1		1B G55	
9	91694004500	PACKING	1			
10	91410204502	RING,BACKUP	1			
11	91660004501	SEAL,DUST	1			
50	36033169910	PACKING SET	1		45X60	
100	36034730001	CYLINDER ASSY,JACK	1			

www.AutoEPC.com

TM-ZE300 41044507044A FRAME/HOOK-IN(AWL)
PD1010172-00 REDUCER, SWING SPEED

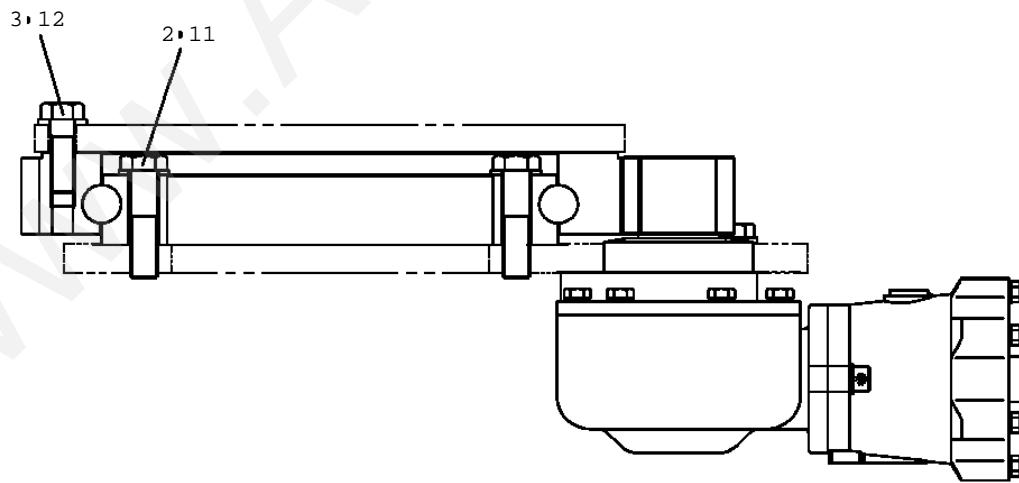
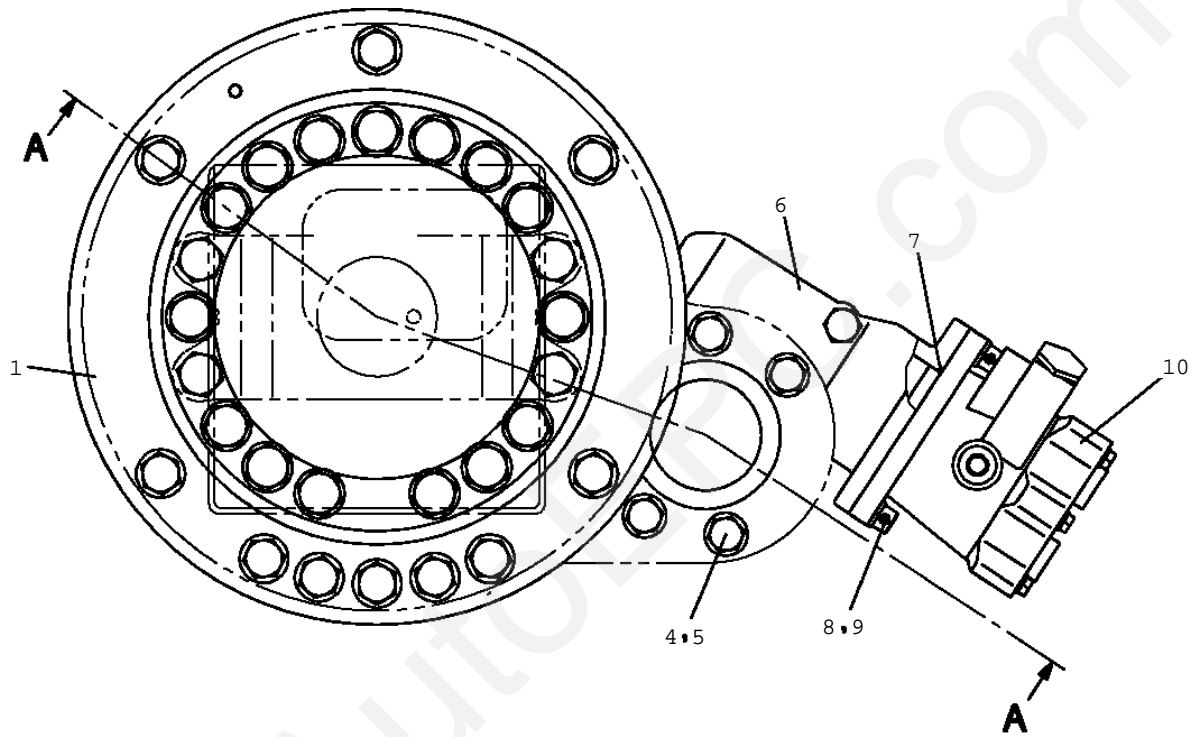
50



TM-ZE300 41044507044A FRAME/HOOK-IN(AWL)

Pos No.	Parts No	Parts Name	Qty	Unit	Technical Data
1	36081325090	RING,SNAP	1		
2	36081325010	SPACER	1		
3	36081325080	SHIM SET	1		
4	36081325110	BEARING,TAPER ROLLER	1		
5	36081325020	WORM	1		
6	36081325120	BEARING,TAPER ROLLER	1		
7	36080755040	GAUGE,OIL	1		
8	36080235080	WASHER,SEAL	1		M16
9	80316090060	PLUG	1		KKT PT3/8
12	91280431931	SEAL,OIL	1		
13	36081325050	CASE,GEAR	1		
14	36081325130	BEARING,BALL(METAL SHIELD TYPE 6210ZZC3)	1		
15	36081325140	BEARING,BALL (RUBBER SEAL TYPE 6210LLU)	1		
16	36080495050	BOLT,SEMS (M10X25,WITH WASHER)	9		
17	36080505080	KEY	1		
18	36081325060	WHEEL,WORM	1		
19	36081325070	CASE,GEAR	1		
20	80500006209	BEARING,BALL	1		
21	80601110450	RING,RITAINING	1		S45
22	36080015000	PIN	2		
23	82400000478	BREATHER	1		
31	36081615500	GEAR,SPUR	1		
50	36081610000	REDUCER,SWING SPEED	1		

TM-ZE300 41044507044A FRAME/HOOK-IN(AWL)
PD1020069-00 SWING UNIT



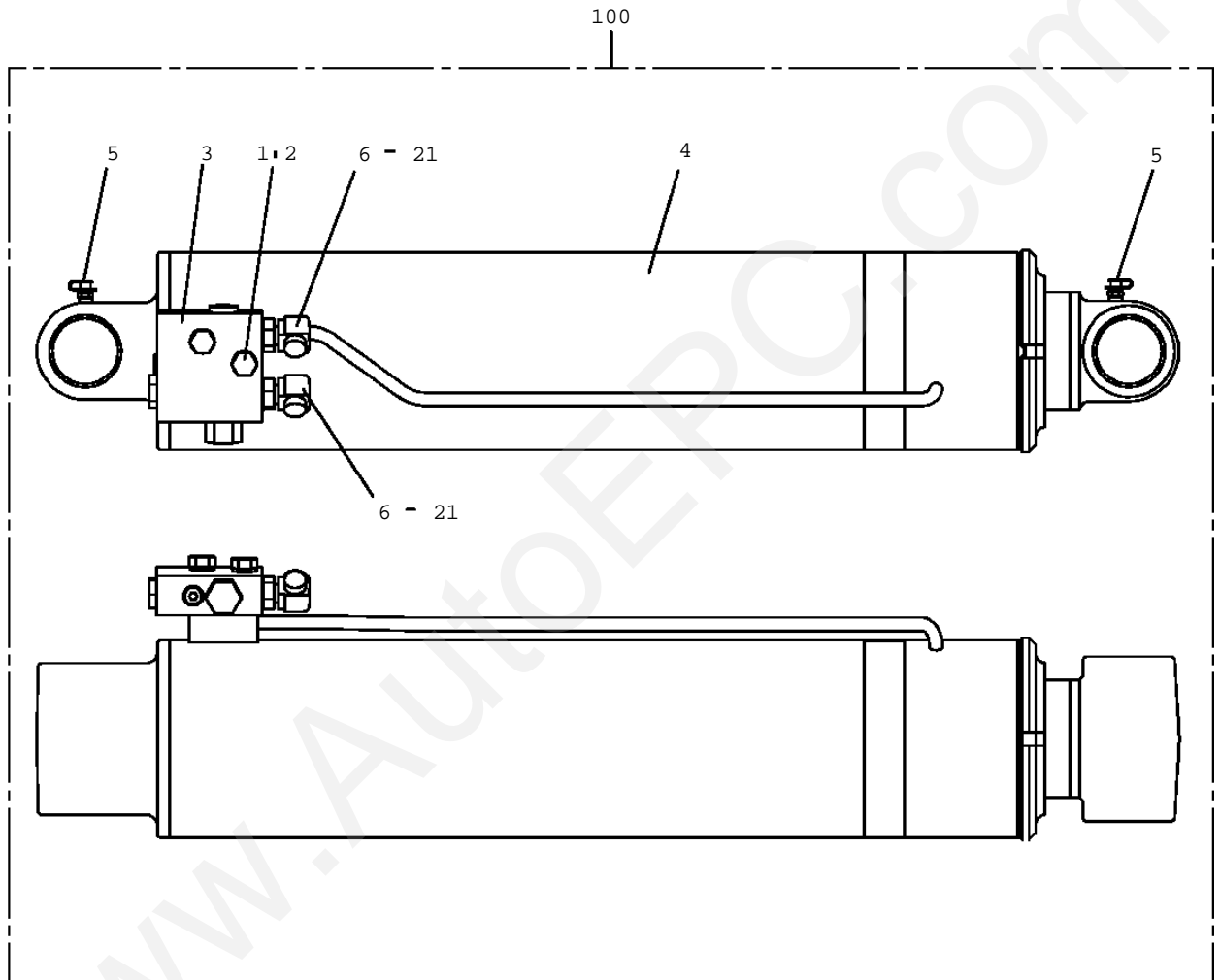
A-A

TM-ZE300 41044507044A FRAME/HOOK-IN(AWL)

Pos No.	Parts No	Parts Name	Qty	Unit	Technical Data	Serial No (Start)
1	37002302720	BEARING, SWING (NTN)	1			
2	31300070010	BOLT	19		M20X80	
3	37001500560	BOLT	10		M18X55	
4	90171116040	BOLT	4		M16X40	
5	90303501601	WASHER, PLAIN	4		16	
6	36081610000	REDUCER, SWING SPEED	1			
7	91001208500	O-RING	1		1A G85	
8	90172112035	BOLT, HEXAGON SOCKET	2		M12X35	
9	90302041201	WASHER, SPRING	2		12	
10	36663950000	MOTOR, HYDRAULIC	1			
11	90303502008	WASHER, PLAIN	15			
12	90303501805	WASHER, PLAIN	10		18	

www.AutoEPC.com

TM-ZE300 41044507044A FRAME/HOOK-IN(AWL)
PD5020009-00 DERRICK ASSY



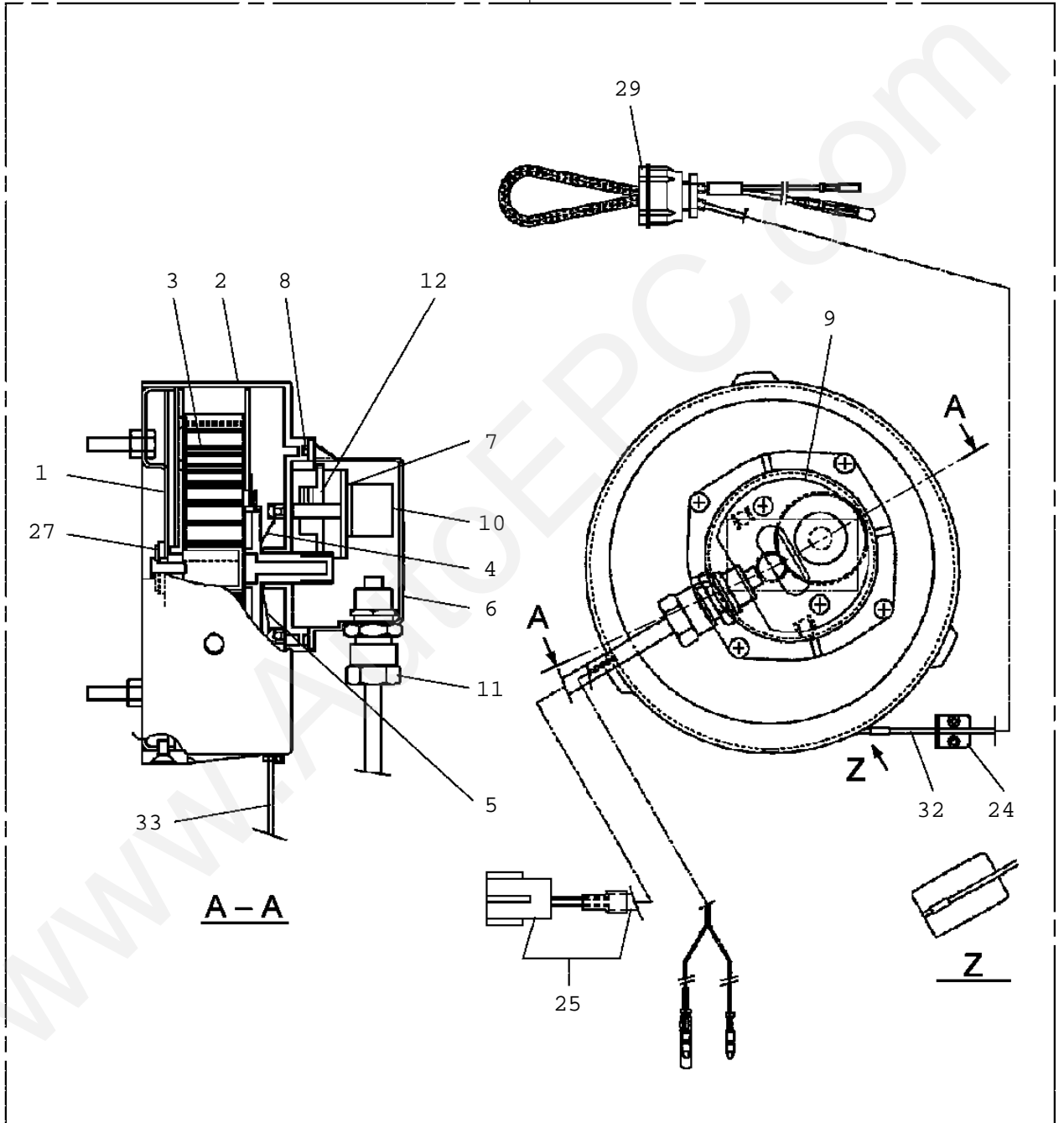
TM-ZE300 41044507044A FRAME/HOOK-IN(AWL)

Pos No.	Parts No	Parts Name	Qty	Unit	Technical Data	Serial No (Start)
1	90171110040	BOLT	2		M10X40	
2	90302041001	WASHER, SPRING	2		10	
3	36606510002	VALVE, COUNTERBALANCE	1			
4	36027690000	CYLINDER ASSY, DERRICK	1			
5	82400000459	CAP	2			
6	80430620600	JOINT (WITH O-RING)	2		L, G3/8-G3/8	
21	91002801400	O-RING	2		1B P14	
100	31241370002	DERRICK ASSY	1			

www.AutoEPC.com

TM-ZE300 41044507044A FRAME/HOOK-IN(AWL)
PD5080030-00 DETECTOR ASSY,LENGTH (BOOM)

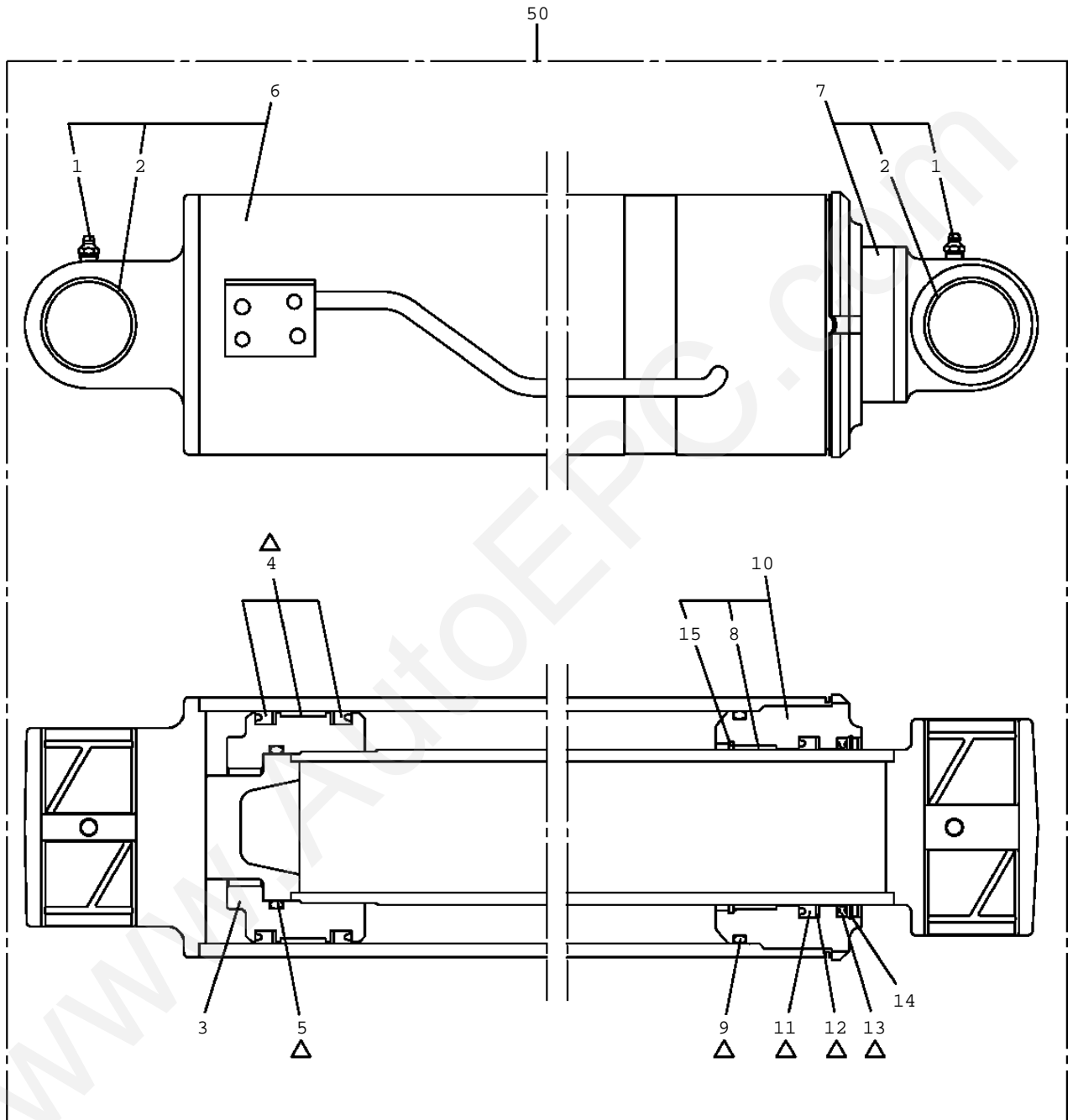
100



TM-ZE300 41044507044A FRAME/HOOK-IN(AWL)

Pos No.	Parts No	Parts Name	Qty	Unit	Technical Data	Serial No (
1	36161625010	PLATE (BASE)	1			
2	36132395010	CASE	1			
3	36132395060	SPRING ASSY	1			
4	36132395100	CONTACTOR ASSY	1			
5	36161615050	CONTACTOR ASSY	1			
6	36132155030	COVER	1			
7	36131185030	PACKING	1			
8	36132465030	O-RING	1			
9	36132385030	BRACKET	1			
10	36131745010	POTENTIOMETER	1			
11	36132095060	SEAL	1			
12	36131745070	GEAR	1			
24	36130795030	STOPPER	2			
25	36131745080	CORD ASSY	1			
27	36161615060	WASHER	1			
29	36161495050	LOCK	1			
32	36132385060	CORD (MAIN)	17	M		
33	36132385070	CORD (SUB)	2	M		
100	36132390002	DETECTOR ASSY,LENGTH (BOOM)	1			

TM-ZE300 41044507044A FRAME/HOOK-IN(AWL)
 PE1010493-02 CYLINDER ASSY,DERRICK



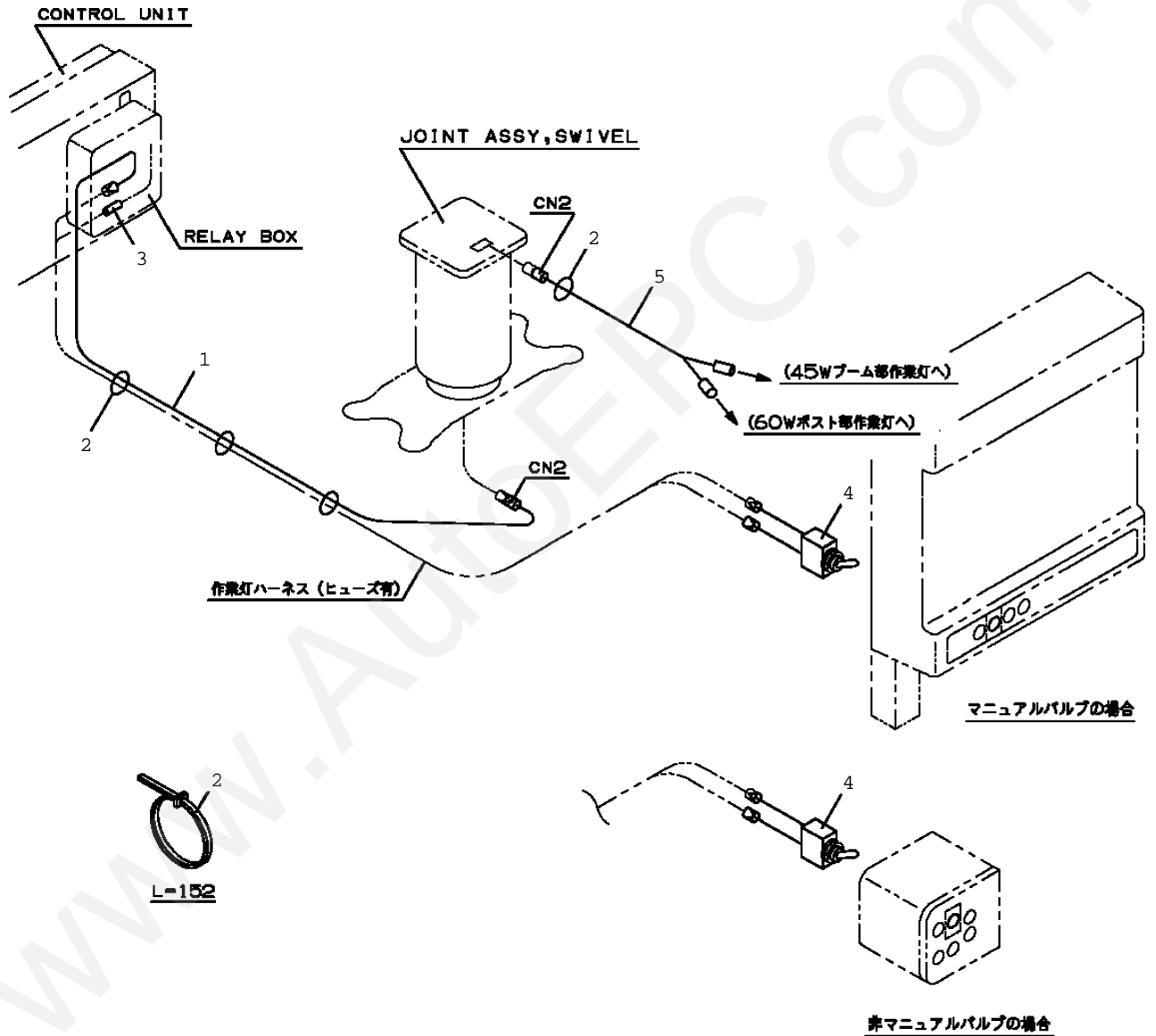
Δ:PACKING SET KEY NO. 40 (KEY NO.4,5,9,11,12,13)

TM-ZE300 41044507044A FRAME/HOOK-IN(AWL)

Pos No.	Parts No	Parts Name	Qty	Unit	Technical Data	Serial N
1	82456101000	NIPPLE,GREASE	2		A-PT1/8	
2	37000402780	BEARING,PLAIN (NDC)	2			
	37000403580	BEARING,PLAIN (DAIDO METAL)	4			
3	36027691000	PISTON	1			
4	91350213500	BEARING,PLAIN (WITH PACKINGX2)	1			
5	91002808500	O-RING	1		1B P85	
6	36027699510	CYLINDER ASSY	1			
7	36025869520	ROD ASSY	1			
8	37000403700	BEARING,PLAIN	1			
9	91002812500	O-RING	1		1B P125	
10	36027699520	COVER,ROD	1			
11	91694009000	PACKING	1			
12	91410209000	RING,BACKUP	1			
13	91660009000	SEAL,DUST	1			
14	80622000900	RING,RITAINING	1		SP90	
15	80612110980	RING,RITAINING	1		AR98	
40	36027699900	PACKING SET	1		90X135	
50	36027690000	CYLINDER ASSY,DERRICK	1			

www.AutoEPC.com

TM-ZE300 41044507044A FRAME/HOOK-IN(AWL)
PE5020035-00 ELEC.ASSY (WARKING LAMP:2-LIGHT INSTALLATION)

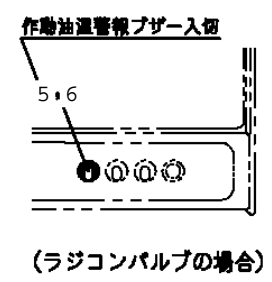
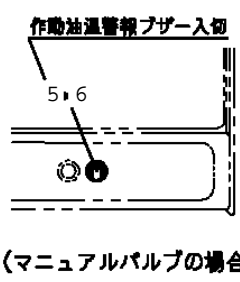
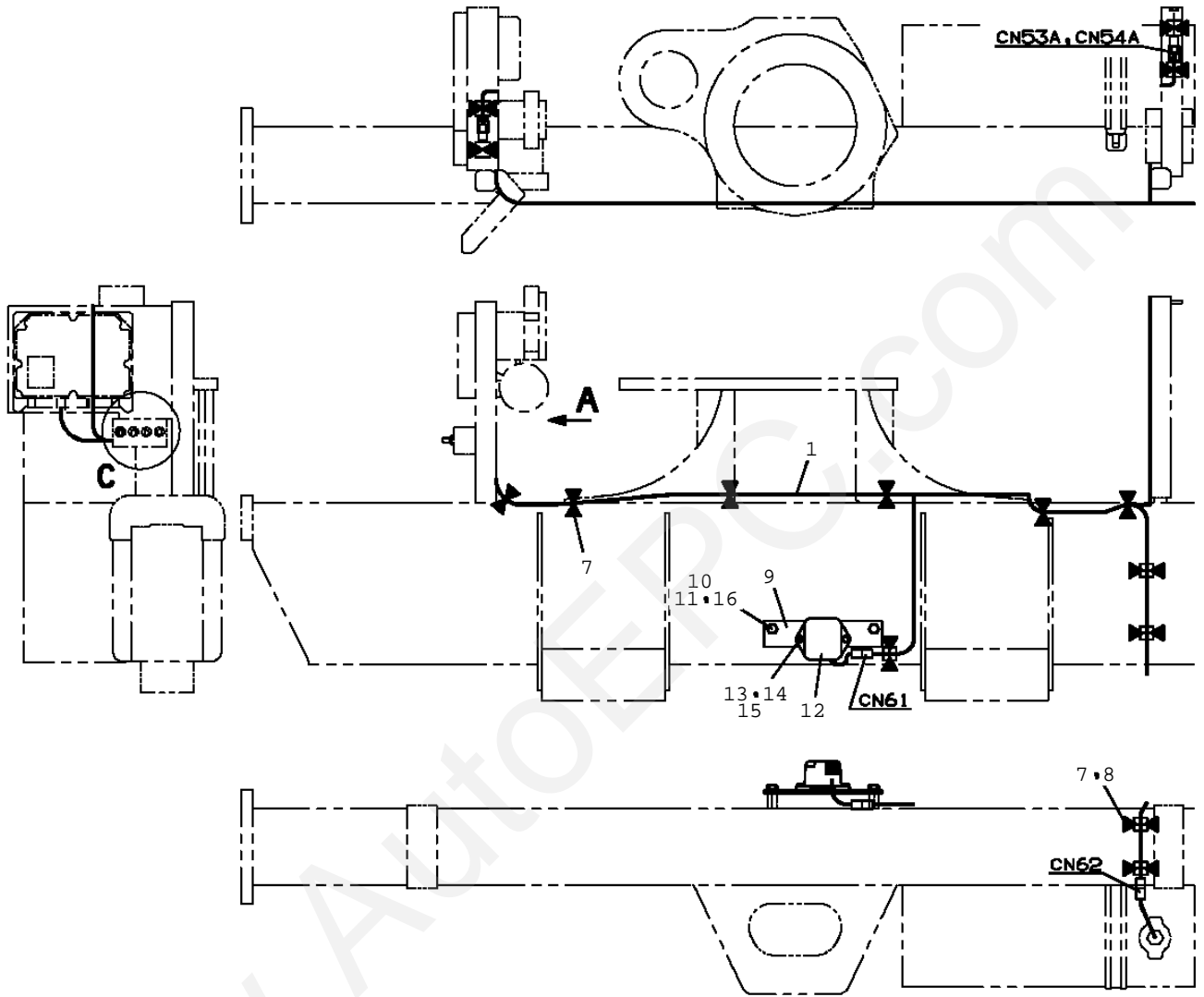


TM-ZE300 41044507044A FRAME/HOOK-IN(AWL)

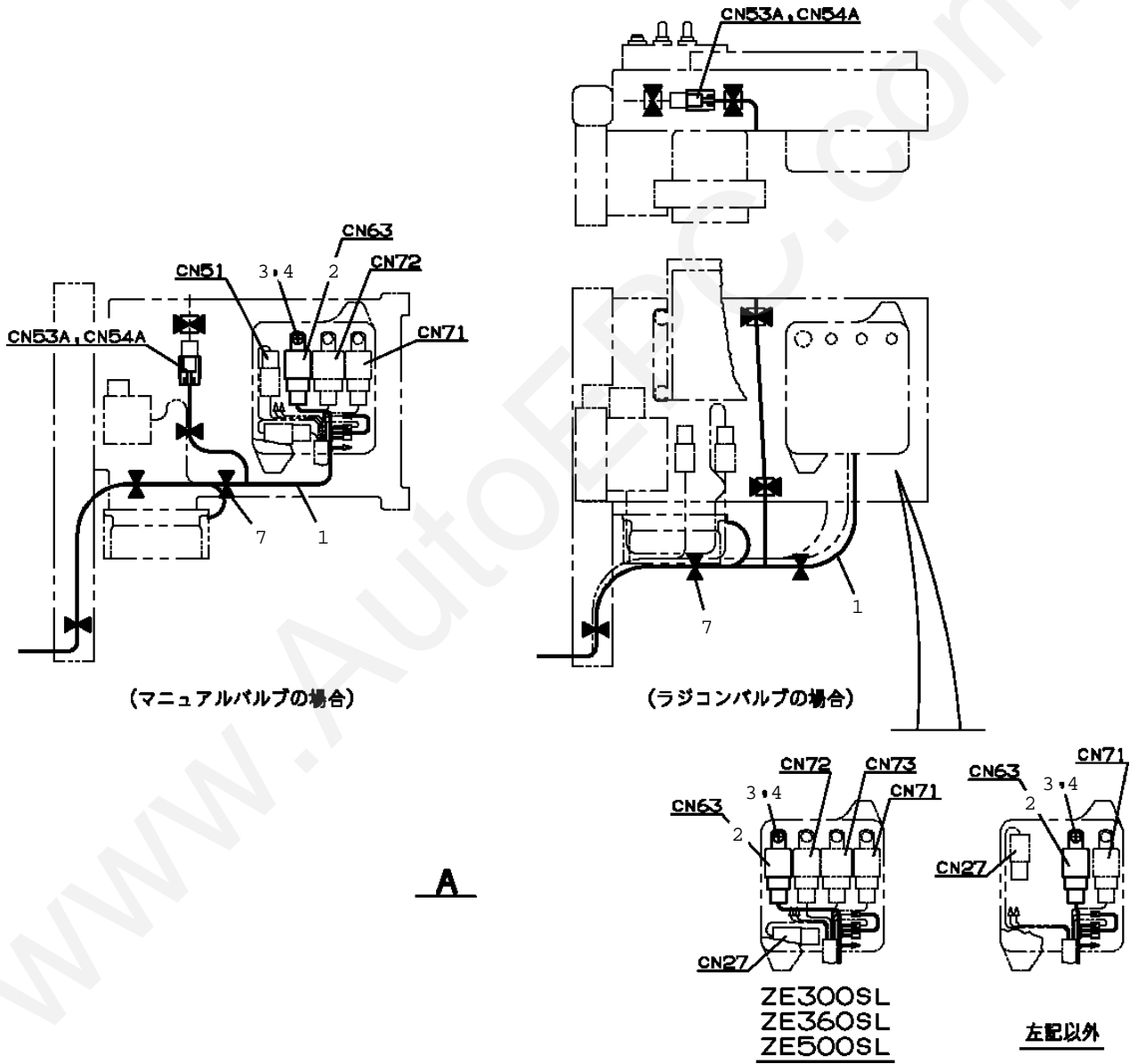
Pos No.	Parts No	Parts Name	Qty	Unit	Technical Data	Serial No (Star
1	31501791100	HARNESS	1		L=2230	
2	91810130240	FASTENER	10			
3	82100000745	FUSE	1		10A,6.5X30	
4	31477311500	SWITCH ASSY (PANASONIC)	1			
5	31501791200	HARNESS	1		L=180	

www.AutoEPC.com

TM-ZE300 41044507044A FRAME/HOOK-IN(AWL)
 PE5020078-01 ELEC.ASSY



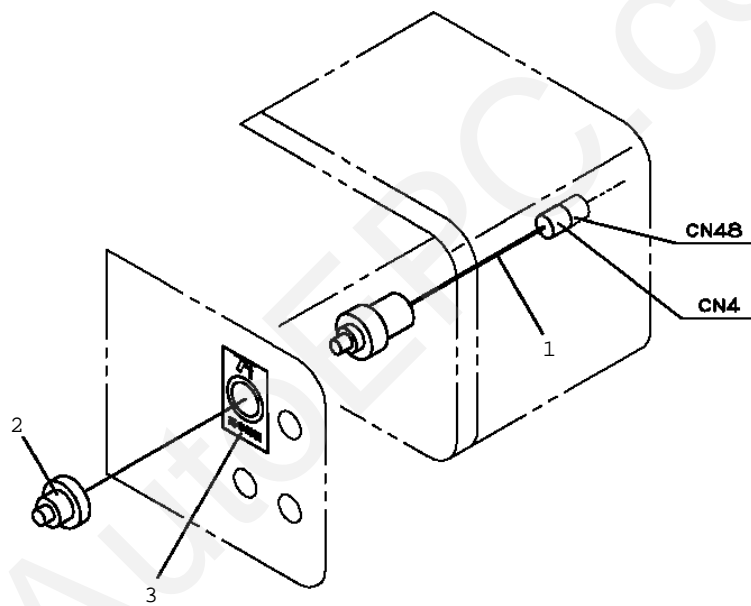
C



TM-ZE300 41044507044A FRAME/HOOK-IN(AWL)

Pos No.	Parts No	Parts Name	Qty	Unit	Technical Data	Serial No (
1	31501912100	HARNES	1			
2	82100002597	RELAY	1			
3	90280200600	NUT,FLANGE	1		M6	
4	80192486014	SCREW,MACHINE (WITH WASHER)	1		M6X14	
5	31477311500	SWITCH ASSY (PANASONIC)	1			
	31477311200	SWITCH ASSY (PLATING:NACC)	1			
6	82197518119	CAP (PLUS ONE MFG./BLACK)	1			
	82197518114	CAP (MATSUSHITA/BLACK)	1			
7	91810130240	FASTENER	24			
8	91850310405	CLAMP (BLACK)	14			
9	31501912200	SUPPORT	1			
10	90303071001	WASHER,PLAIN	2		10	
11	90101210020	BOLT	2		M10X20	
12	42650710100	BUZZER	1			
13	90302040601	WASHER,SPRING	2		6	
14	90303070601	WASHER,PLAIN	2		6	
15	90101206014	BOLT	2		M6X14	
16	90186208020	BOLT,FLANGE	2		M8X20	

TM-ZE300 41044507044A FRAME/HOOK-IN(AWL)
PE5020089-01 ELEC.ASSY (FRAME SWITCH)



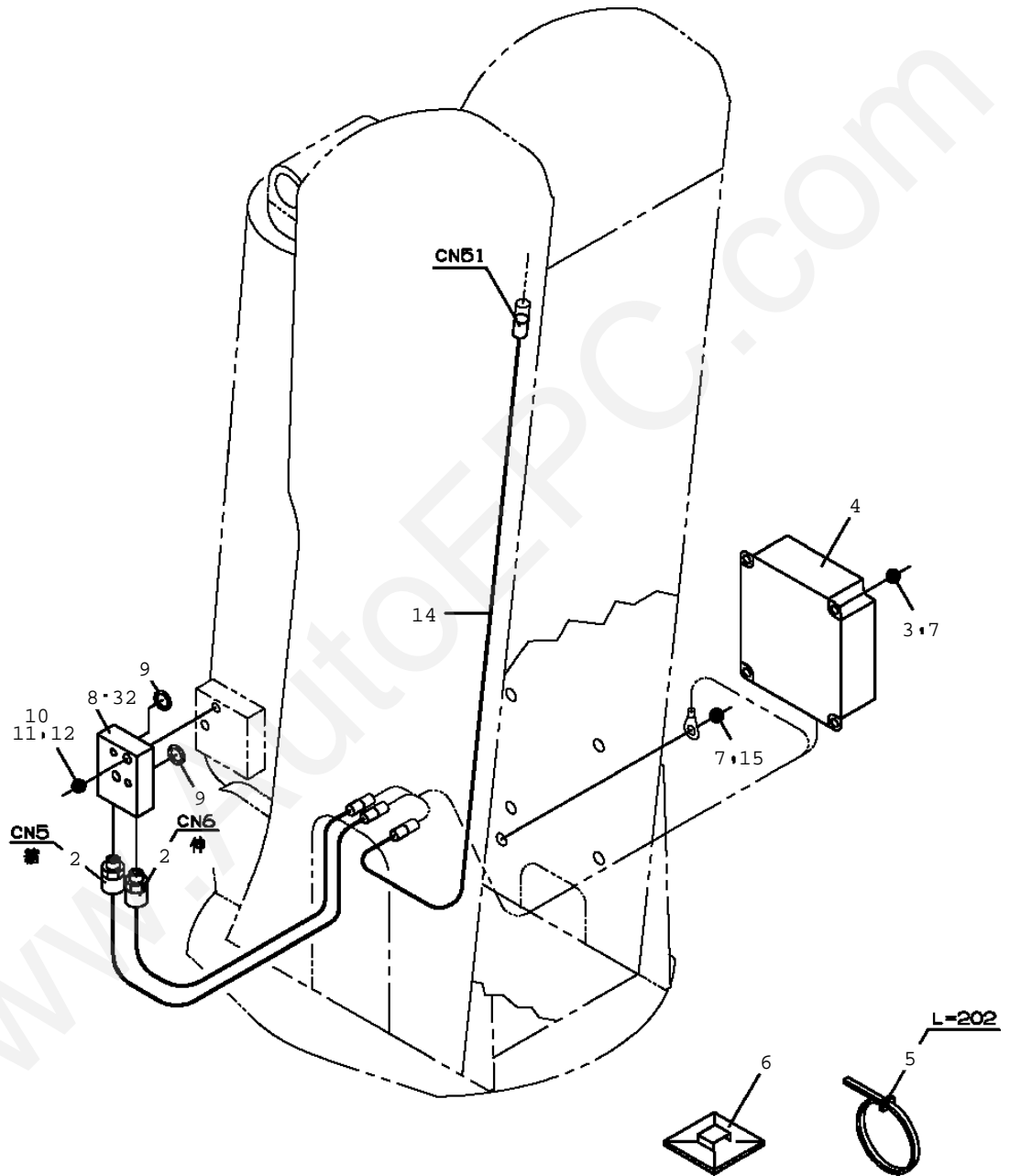
運転席側フレーム部スイッチ

TM-ZE300 41044507044A FRAME/HOOK-IN(AWL)

Pos No.	Parts No	Parts Name	Qty	Unit	Technical Data	Serial No
1	31653303200	SWITCH ASSY (NIHON AUTOMATIC)	1			
	31653303300	SWITCH ASSY (MATSUSHITA)	1			
2	82197600101	CAP (BLACK)	1			
3	31502051100	PLATE,NAME	1			

www.AutoEPC.com

TM-ZE300 41044507044A FRAME/HOOK-IN(AWL)
PE5020090-00 ELEC.ASSY (POST/DETECTOR ASSY,MOMENT)

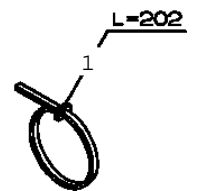
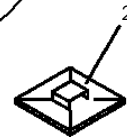
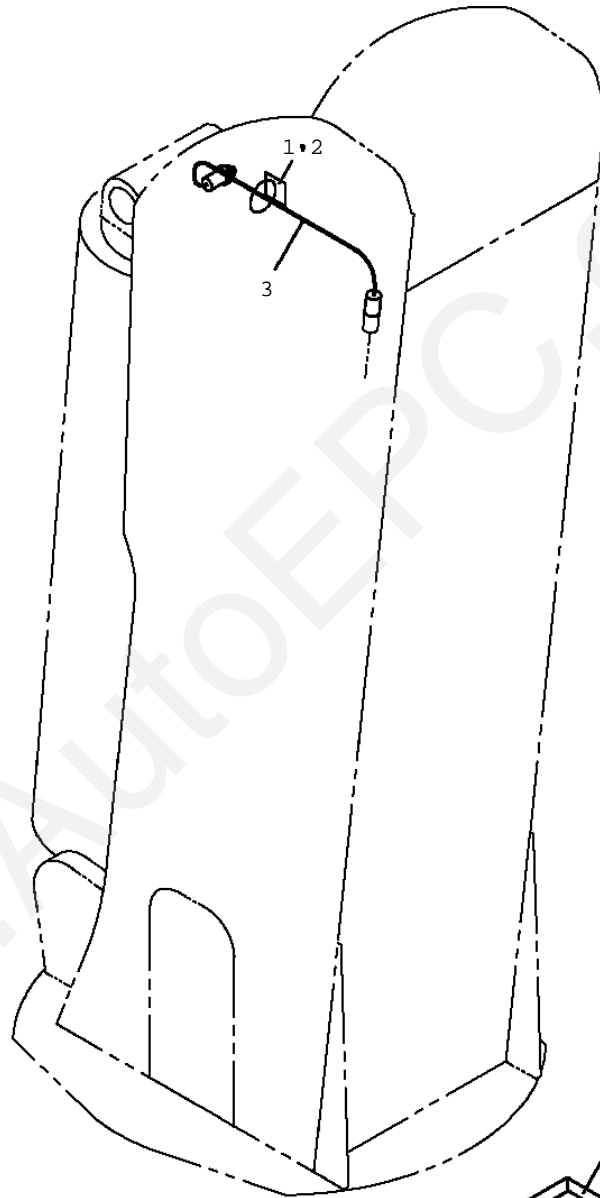


TM-ZE300 41044507044A FRAME/HOOK-IN(AWL)

Pos No.	Parts No	Parts Name	Qty	Unit	Technical Data	Serial No (Start)
2	36150070000	DETECTOR,LOAD	2			
3	90131506020	BOLT,HEXAGON SOCKET	4		M6X20	
4	36120580000	TRANSMITTER,SIGNAL	1			
5	91810130250	FASTENER	11			
6	91850310405	CLAMP (BLACK)	1			
7	90303070601	WASHER,PLAIN	5		6	
8	31361943200	JOINT	1			
9	91002801100	O-RING	2		1B P11	
10	90171110070	BOLT	2		M10X70	
11	90302041001	WASHER,SPRING	2		10	
12	90303071001	WASHER,PLAIN	2		10	
14	31361943300	HARNESS	1		L=1460	
15	90101206014	BOLT	1		M6X14	
32	80316030020	PLUG	1		PT1/8	

www.AutoEPC.com

TM-ZE300 41044507044A FRAME/HOOK-IN(AWL)
PE5020091-00 ELEC.ASSY (BOOM ELEVATING STOWING SW)

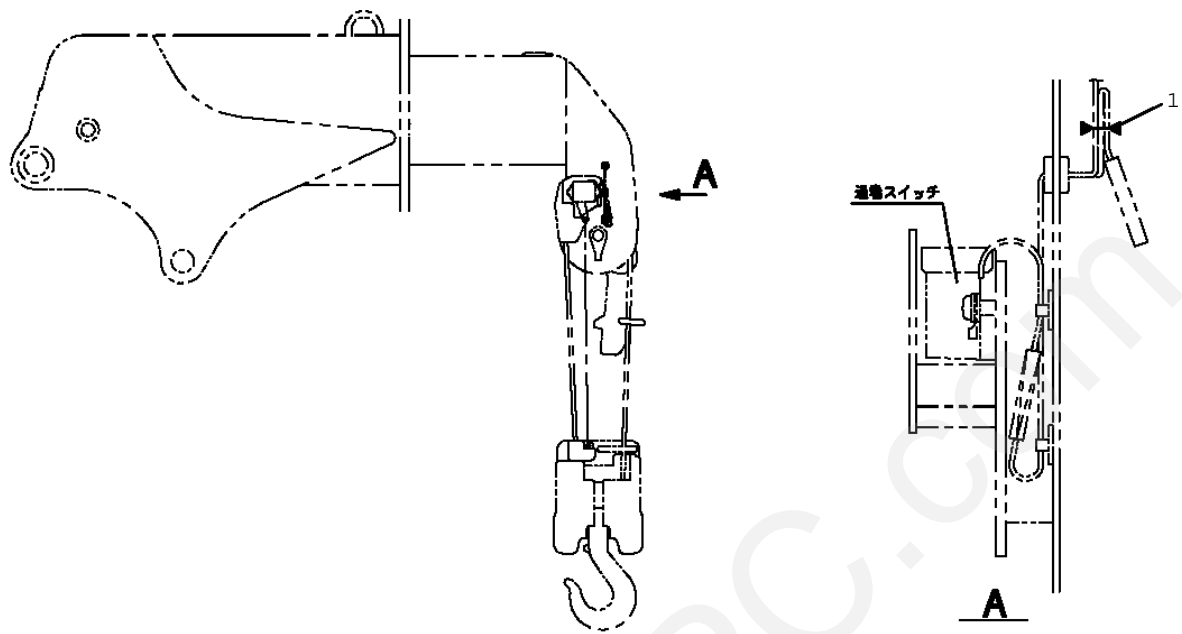


TM-ZE300 41044507044A FRAME/HOOK-IN(AWL)

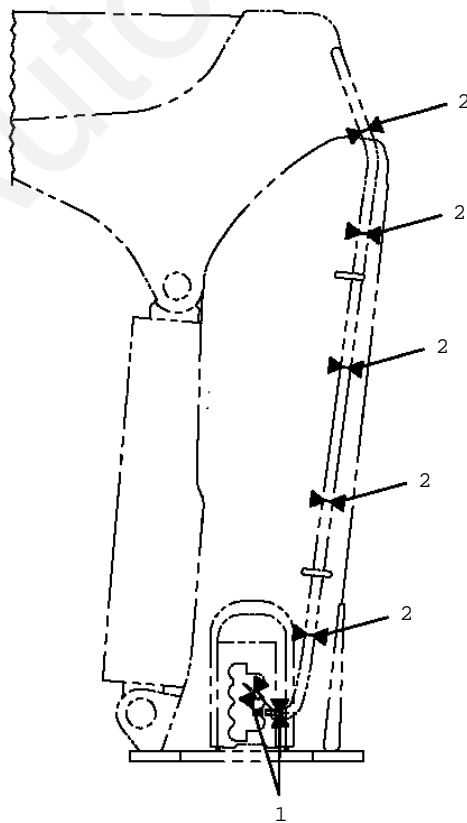
Pos No.	Parts No	Parts Name	Qty	Unit	Technical Data	Serial No (Start)	Serial
1	91810130250	FASTENER	2				
2	91850310405	CLAMP (BLACK)	1				
3	82108501310	SWITCH	1				

www.AutoEPC.com

TM-ZE300 41044507044A FRAME/HOOK-IN(AWL)
PE5020092-00 ELEC.ASSY (DETECTOR ASSY,LENGTH CORD)



ブーム部



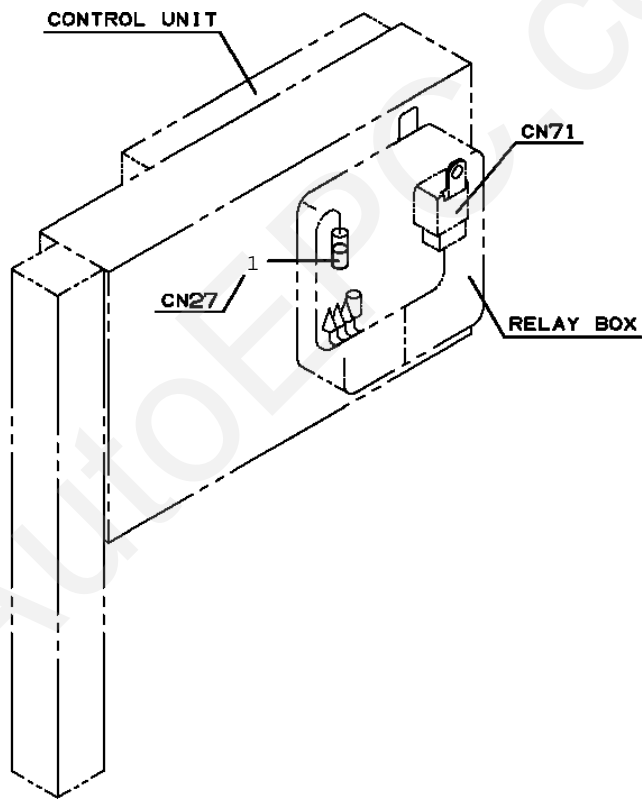
ポスト部

TM-ZE300 41044507044A FRAME/HOOK-IN(AWL)

Pos No.	Parts No	Parts Name	Qty	Unit	Technical Data	Serial No (Start)	Serial No
1	91810130230	FASTENER	7				
2	91810130240	FASTENER	6				

www.AutoEPC.com

TM-ZE300 41044507044A FRAME/HOOK-IN(AWL)
PE5020093-00 ELEC.ASSY (FRAME/RELAY BOX)



TM-ZE300 41044507044A FRAME/HOOK-IN(AWL)

Pos No.	Parts No	Parts Name	Qty	Unit	Technical Data	Serial No (Start)	Serial No
1	31502081100	CONNECTOR	1				

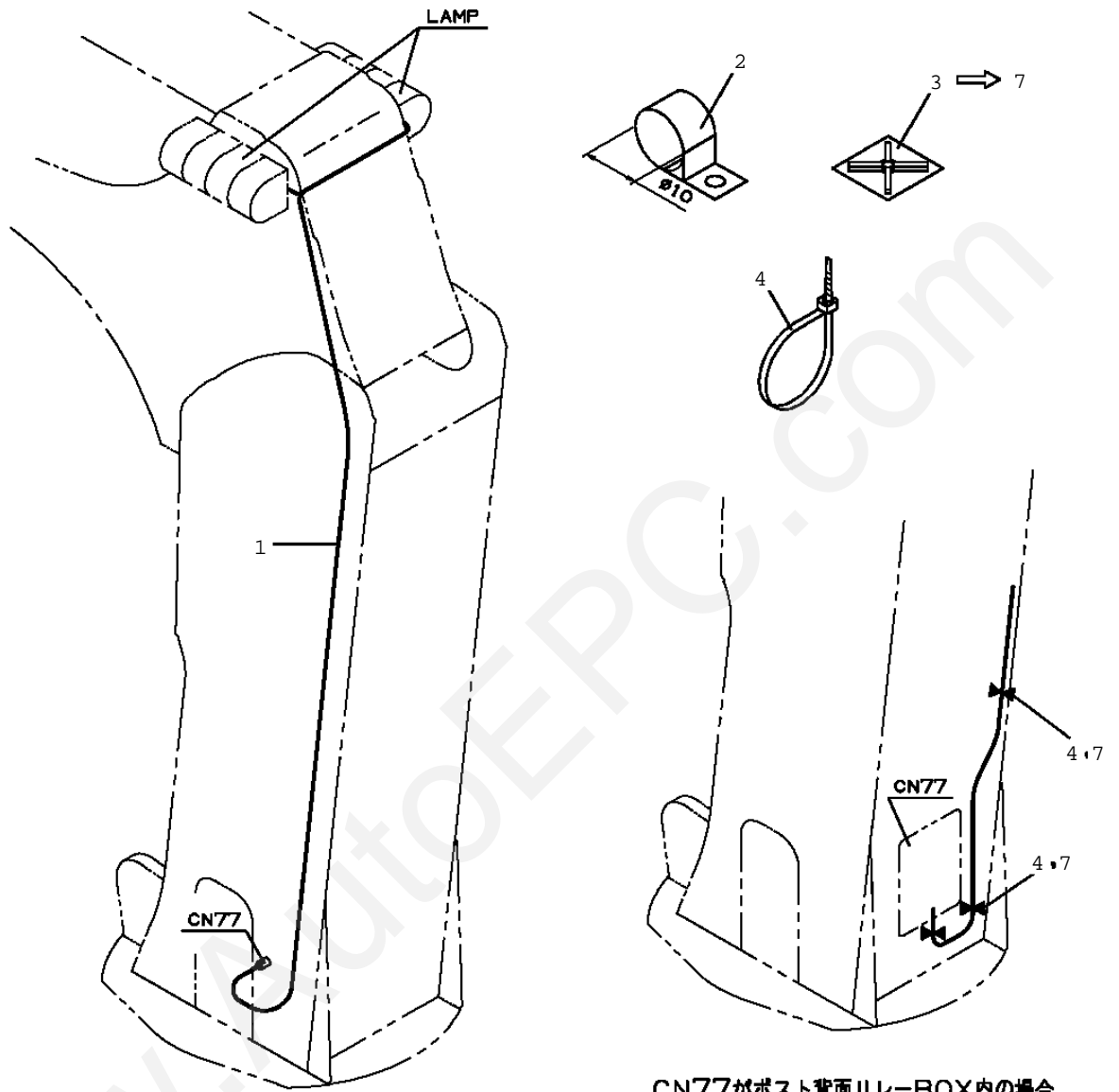
www.AutoEPC.com

TM-ZE300 41044507044A FRAME/HOOK-IN(AWL)

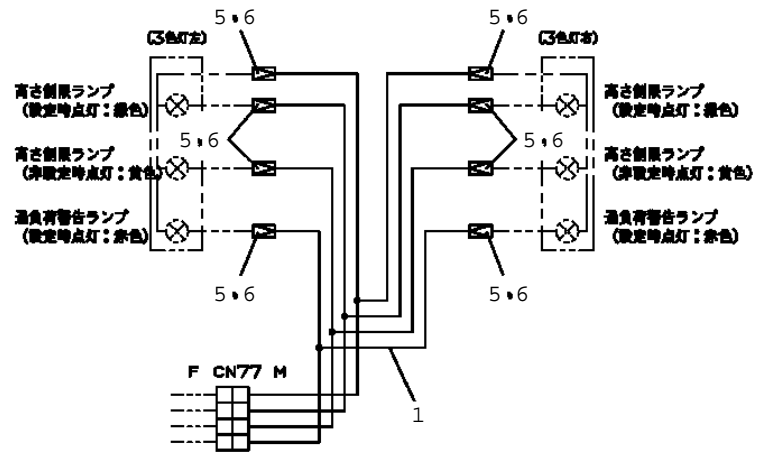
Pos No.	Parts No	Parts Name	Qty	Unit	Technical Data	Serial No (
1	31502532100	HARNES	1			
2	31501402200	PLATE	1			
4	90101206016	BOLT	2		M6X16	
5	90280200600	NUT, FLANGE	2		M6	
6	91850310405	CLAMP (BLACK)	5			
7	91810130250	FASTENER	9			
8	31476751010	CONNECTOR	1			
21	31656011200	COVER	1			
22	37002227560	PLATE, NAME (BLACK)	2		D=16	
23	82100002596	RELAY	1			
24	90280200600	NUT, FLANGE	2		M6	
25	80192486014	SCREW, MACHINE (WITH WASHER)	2		M6X14	
26	82161201010	RELAY	1			

www.AutoEPC.com

TM-ZE300 41044507044A FRAME/HOOK-IN(AWL)
 PE5020133-01 ELEC.ASSY (LAMP)



CN77がポスト背面リレーBOX内の場合



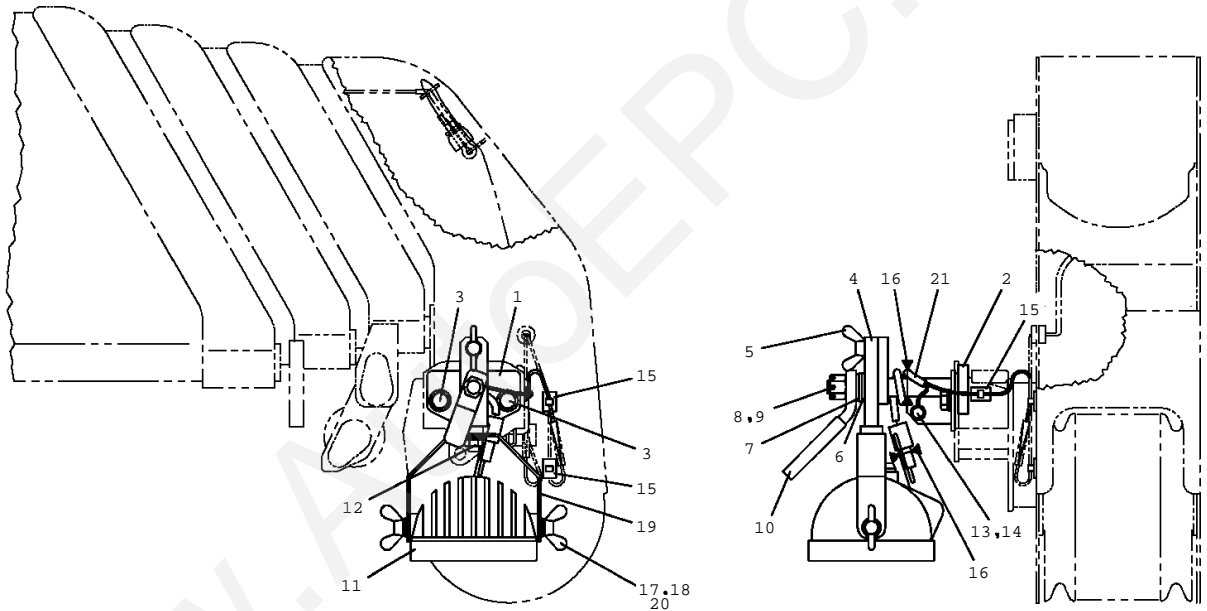
配線系統図

TM-ZE300 41044507044A FRAME/HOOK-IN(AWL)

Pos No.	Parts No	Parts Name	Qty	Unit	Technical Data	Serial No (Start)	Serial
1	31502531100	HARNES	1				
2	82100002007	CLAMP	2		WRC10		
4	91810130240	FASTENER	11				
5	82100000182	INSULATOR	8				
6	82100000192	TERMINAL	8				
7	91850310405	CLAMP (BLACK)	5				

www.AutoEPC.com

TM-ZE300 41044507044A FRAME/HOOK-IN(AWL)
PE5020296-00 ELEC.ASSY (BOOM/LED LAMP)

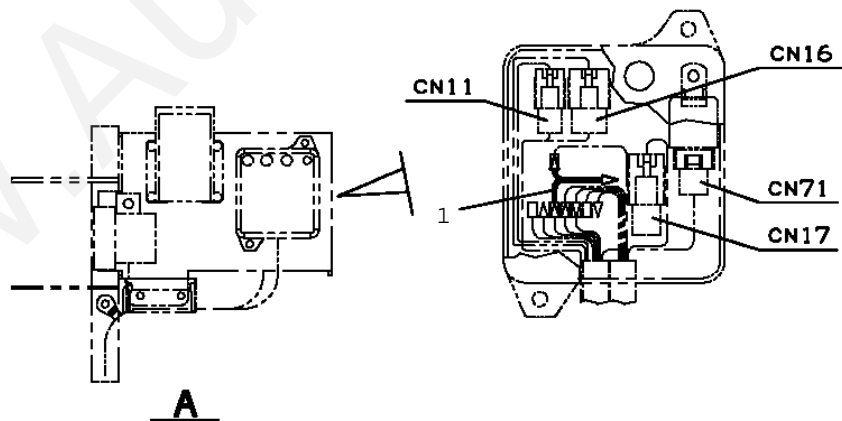
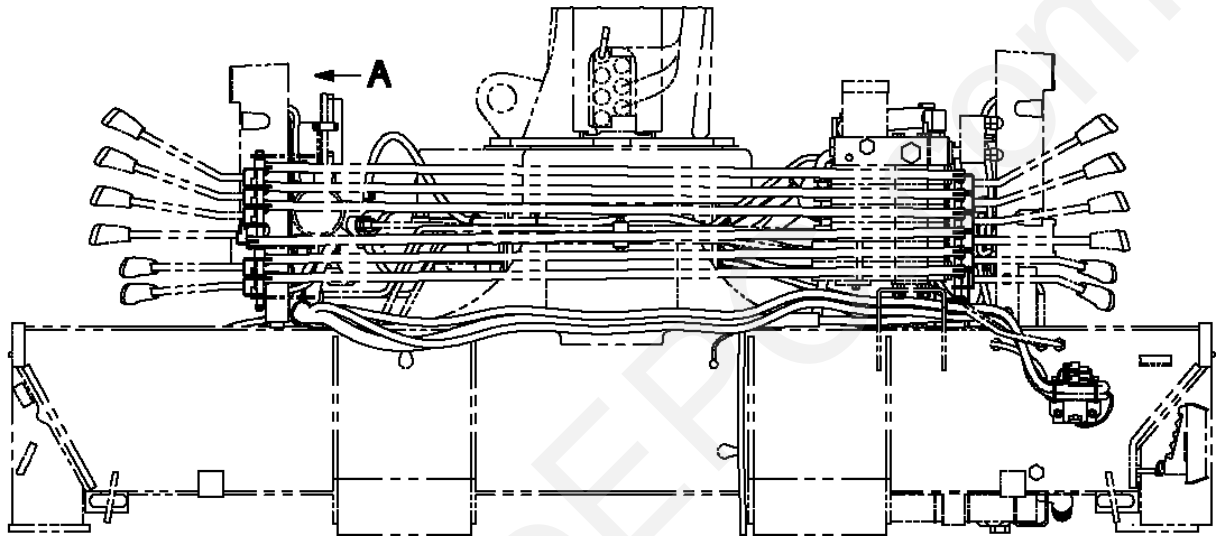


TM-ZE300 41044507044A FRAME/HOOK-IN(AWL)

Pos No.	Parts No	Parts Name	Qty	Unit	Technical Data	Serial No (Start)	Serial
1	31501192100	SUPPORT	1				
2	31501192200	PLATE	1				
3	90186210016	BOLT, FLANGE	2		M10X16		
4	31650690400	SUPPORT	1				
5	90813108020	BOLT, WING	1		M8X20		
6	90309331201	WASHER	2		L12		
7	90303071201	WASHER, PLAIN	1		12		
8	90236201200	NUT, CASTLE	1		2H M12		
9	80136325025	PIN, SPLIT	1		2.5X25		
10	31650690500	LEVER	1				
11	82165700010	LAMP	1				
12	90280201000	NUT, FLANGE	1		M10		
13	90186206010	BOLT, FLANGE	1		M6X10		
14	90280200600	NUT, FLANGE	1		M6		
15	82401600504	CLAMP	3				
16	91810130240	FASTENER	2				
17	90813108016	BOLT, WING	2		M8X16		
18	90302040801	WASHER, SPRING	2		8		
19	42507690100	SUPPORT	1				
20	90303070801	WASHER, PLAIN	2		8		
21	31503072100	HARNES	1				

www.AutoEPC.com

TM-ZE300 41044507044A FRAME/HOOK-IN(AWL)
PE5020538-00 ELEC.ASSY (FRAME BRANCH WIRING ADDED)



TM-ZE300 41044507044A FRAME/HOOK-IN(AWL)

Pos No.	Parts No	Parts Name	Qty	Unit	Technical Data	Serial No (Start)	Serial No
1	31501611100	HARNESS	1				

www.AutoEPC.com

TM-ZE300 41044507044A FRAME/HOOK-IN(AWL)
PE5020561-00 ELEC.ASSY (OVER-UNWINDING CUTOUT DEVICE/HR)

ハイセンASSY (ステマキテイシソウチ/HR)
ELEC.ASSY (OVER-UNWINDING CUTOUT DEVICE/HR)

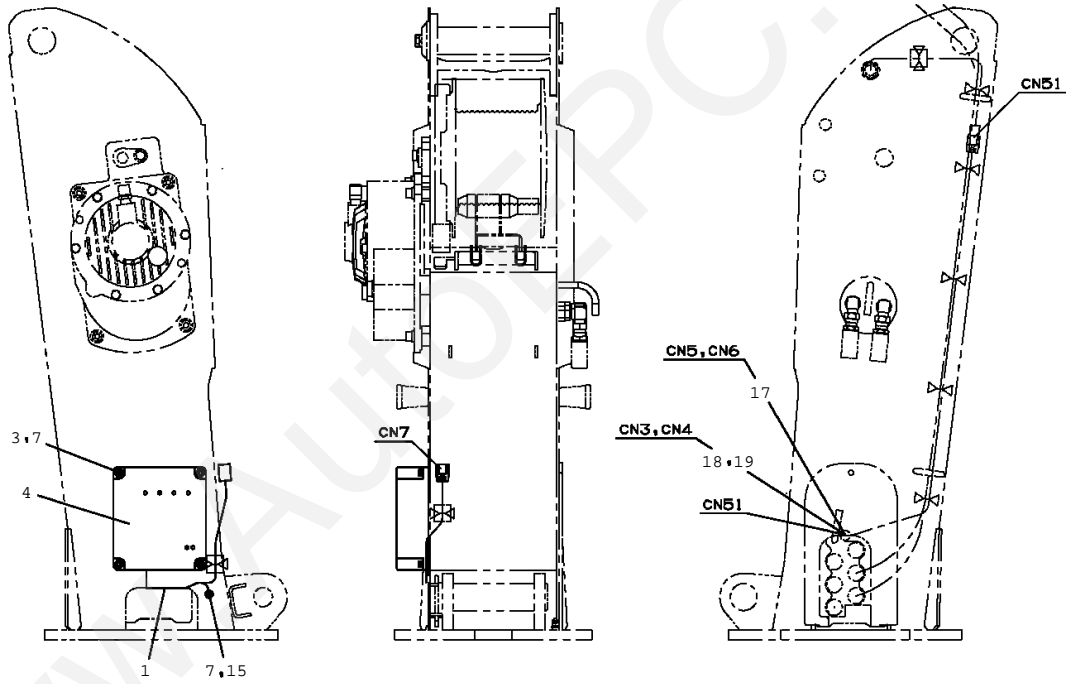
【組立名称一覧】より選択してください。
SEE THE CORRESPONDING "ASSEMBLY NAME" LIST.

TM-ZE300 41044507044A FRAME/HOOK-IN(AWL)

Pos No.	Parts No	Parts Name	Qty	Unit	Technical Data	Serial No (S
1	(*****)	ELEC.ASSY	1			
2	(*****)	DETECTOR,DISORDERLY WIND	1			
3	(*****)	INDICATOR,DRUM	1			

www.AutoEPC.com

TM-ZE300 41044507044A FRAME/HOOK-IN(AWL)
PE5020562-00 ELEC.ASSY

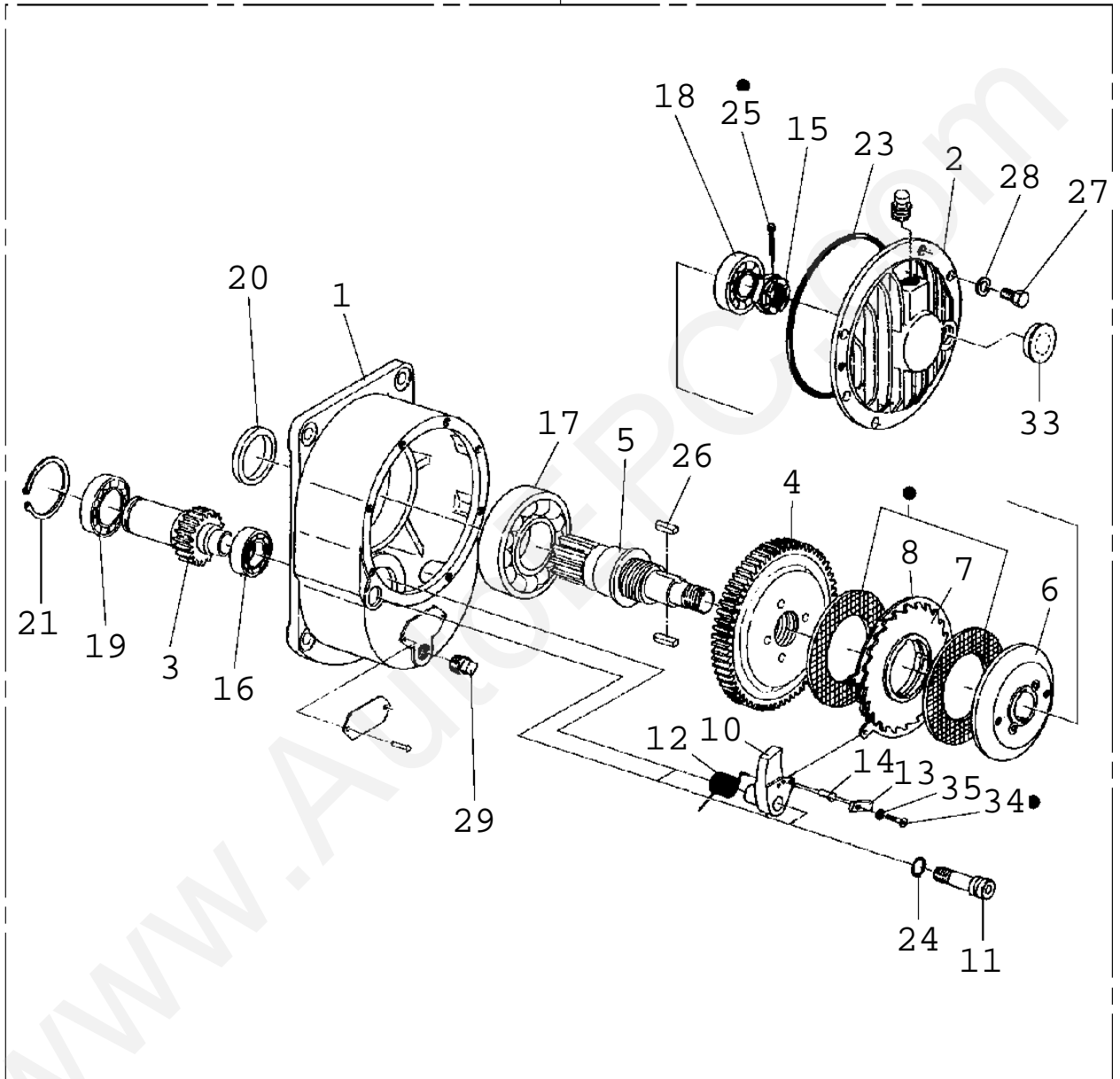


TM-ZE300 41044507044A FRAME/HOOK-IN(AWL)

Pos No.	Parts No	Parts Name	Qty	Unit	Technical Data	Serial No (Start)
1	31362163101	HARNES	1			
3	90131506020	BOLT, HEXAGON SOCKET	4		M6X20	
4	36120580000	TRANSMITTER, SIGNAL	1			
5	91810130250	FASTENER	4			
7	90303070601	WASHER, PLAIN	5		6	
15	90101206014	BOLT	1		M6X14	
17	31504091100	PLUG	2			
18	31652991700	PLUG (4-POLES, FEMALE)	1			
29	31476751010	CONNECTOR	1			

www.AutoEPC.com

100



- : FACING KIT KEY NO1 0 1(JAPANESE)
- : FACING KIT KEY NO1 0 2(ENGLISH)



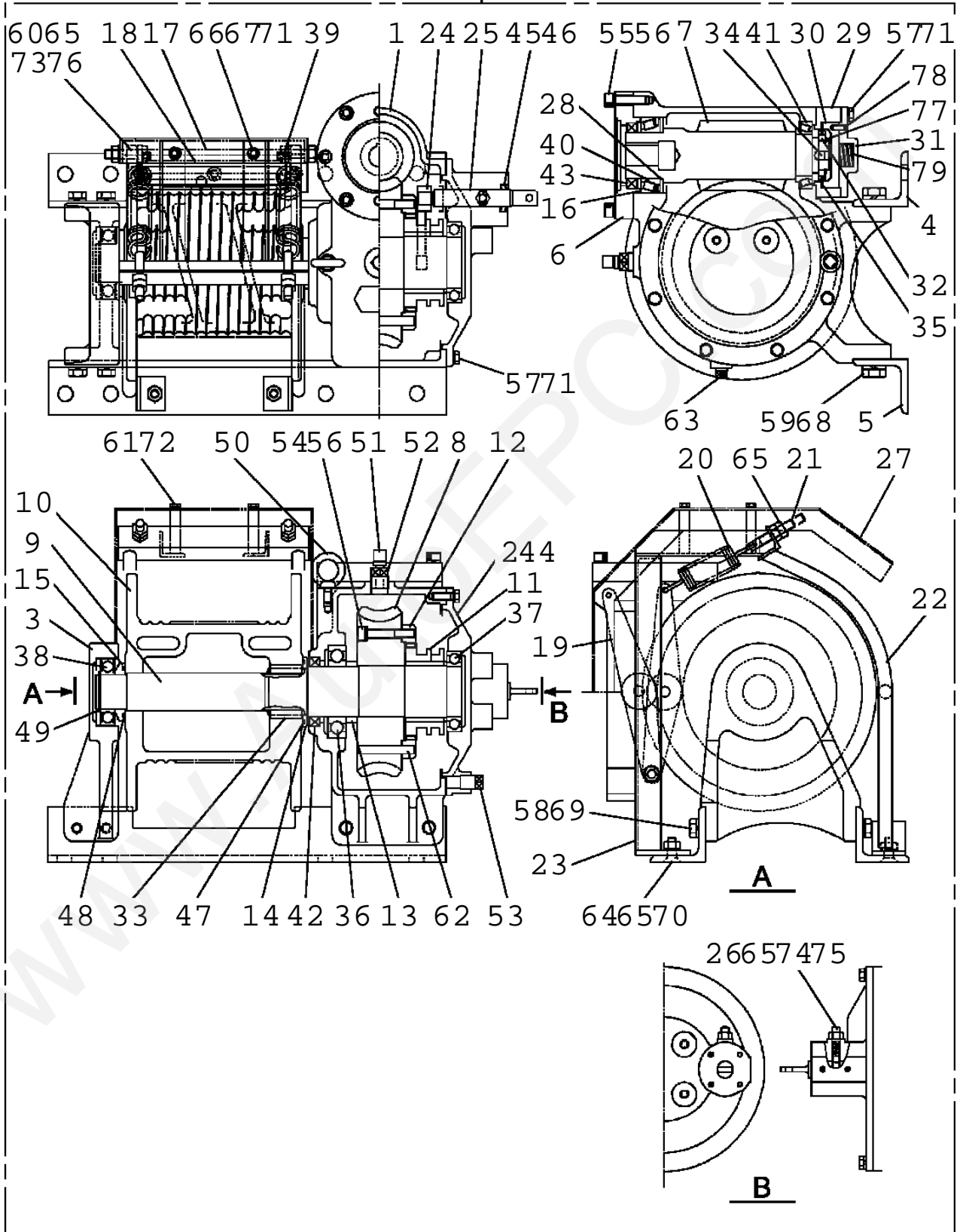
- Protective seal
- Replacement interval name plate

TM-ZE300 41044507044A FRAME/HOOK-IN(AWL)

Pos No.	Parts No	Parts Name	Qty	Unit	Technical Data	Serial No (
1	36072625080	CASE,GEAR	1			
2	36072625020	CASE,GEAR	1			
3	36072625030	GEAR,SPUR	1			
4	36072625100	GEAR,SPUR	1			
5	36072625050	GEAR,SPUR	1			
6	36072625110	BRAKE,DISK	1			
7	36072625120	WHEEL,RATCHET (BUSH L=17MM)	1			
8	36071195080	LINK (RATCHET CONTROL)	1			
10	36071195100	RATCHET	1			
11	36072625090	SHAFT	1			
12	36071195120	SPRING	1			
13	36071195130	CAP	1			
14	36071195140	PIN	1			
15	36071195150	NUT	1			
16	80500006202	BEARING,BALL	1			
17	80500006212	BEARING,BALL	1			
18	80500006305	BEARING,BALL	1			
19	80500006007	BEARING,BALL	1			
20	91206048001	SEAL,OIL	1			
21	80602110620	RING,RITAINING	1		R62	
23	36071195200	O-RING	1			
24	36071195170	O-RING	1		P15	
25	80136340040	PIN,SPLIT	1		4X40	
26	36072625070	KEY	2			
27	90101208018	BOLT	6		M8X18	
28	90302040801	WASHER,SPRING	6		8	
29	80316030060	PLUG	1		PT3/8	
33	36071195190	GAUGE,OIL	1			
34	80172304015	SCREW,MACHINE	1		M4X15	
35	90302040401	WASHER,SPRING	1		4	
100	36072620000	WINCH (HARTYS)	1			
101	36070441000	FACING KIT(JAPANESE)	1			
102	36070442000	FACING KIT (ENGLISH)	1			

TM-ZE300 41044507044A FRAME/HOOK-IN(AWL)
PF1010207-00 WINCH (HARTYS)

100



TM-ZE300 41044507044A FRAME/HOOK-IN(AWL)

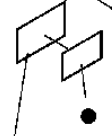
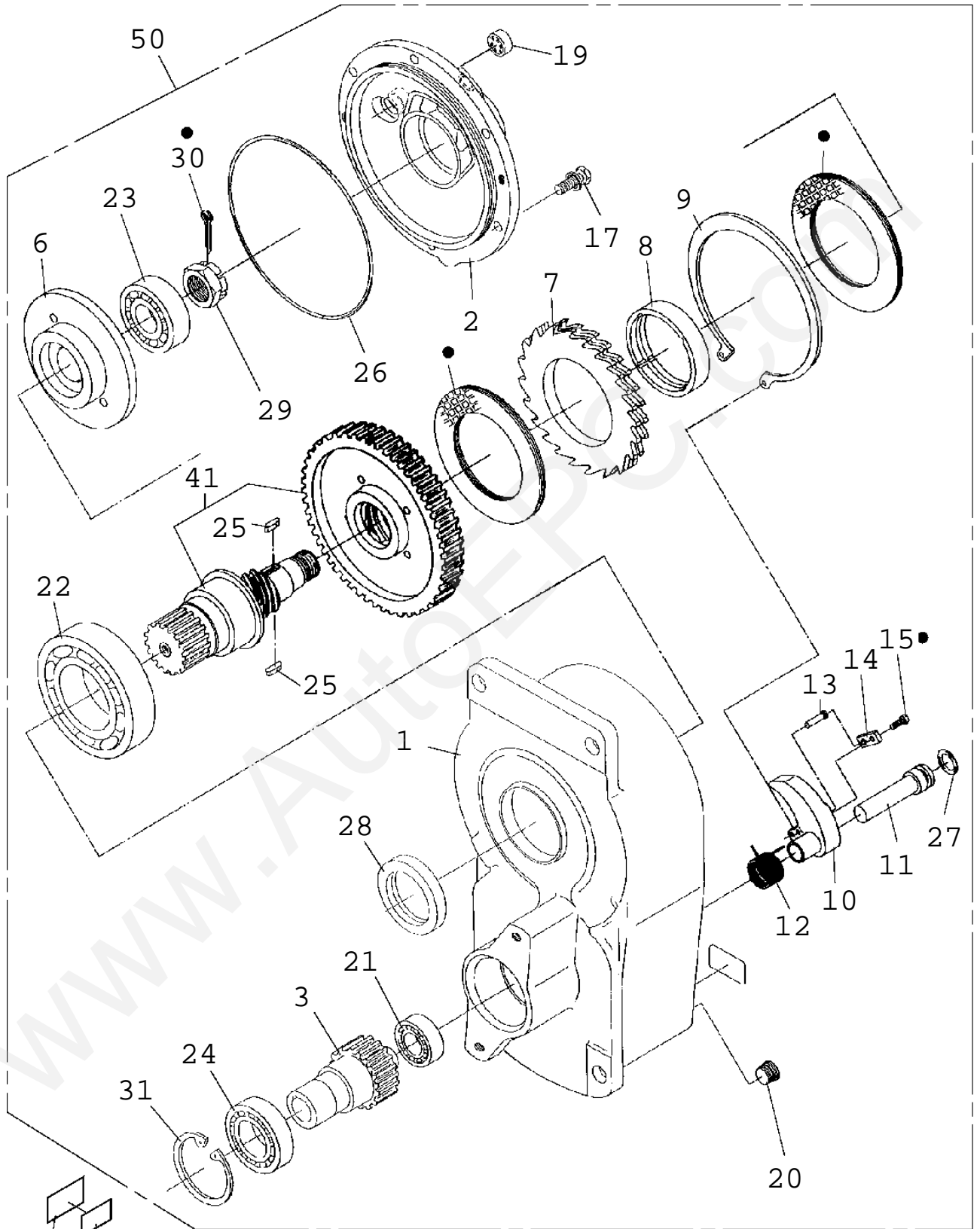
Pos No.	Parts No	Parts Name	Qty	Unit	Technical Data	Serial No (Start)
1	36072815010	CASE,GEAR	1			
2	36072815020	COVER	1			
3	36072815030	RETAINER (BEARING)	1			
4	36072815040	FRAME	1			
5	36072815050	FRAME	1			
6	36072815060	FLANGE (MOTOR)	1			
7	36072815070	WORM	1			
8	36072815080	WHEEL,WORM	1			
9	36072815090	DRUM,SHAFT	1			
10	36072815100	DRUM	1			
11	36072815110	CLUTCH	1			
12	36072815120	CLUTCH	1			
13	36072815130	COLLAR	1			
14	36072815140	COLLAR	1			
15	36072815150	COLLAR	1			
16	36072815160	PLATE (SHIM)	1			
17	36072815170	ROLLER	1			
18	36072815180	SHAFT (ROLLER)	1			
19	36072815190	ARM (ROLLER)	2			
20	36072815200	SPRING	2			
21	36072815210	BOLT (TENSION)	2			
22	36072815220	GUIDE (WIRE)	1			
23	36072815230	STAND (ROLLAR)	1			
24	36072815240	FORK (CHENGE)	1			
25	36072815250	SHAFT	1			
26	36072815260	GUIDE ,BLOCK	1			
27	36072815270	COVER	1			
28	36072815280	PLATE	1			
29	36072815290	CASE	1			
30	36072815300	PLATE	1			
31	36072815310	COVER	1			
32	36072815320	GEAR	1			
33	36072815330	KEY	2			
34	36072815340	KEY	1			
35	36072815350	FACING	1			
36	80500006212	BEARING,BALL	1			
37	80500006012	BEARING,BALL	1			
38	80516006208	BEARING,BALL	1			
39	80516006202	BEARING,BALL	2			
40	36070525350	BEARING,ROLLER	1			
41	36070525360	BEARING,ROLLER	1			
42	91206060003	SEAL,OIL	1			
43	36072815360	SEAL,OIL	1			
44	36072815370	PACKING (SEAT)	1			
45	36072815380	SEAL,DUST	1			
46	36072815390	RING	1			
47	91001207000	O-RING	1		1A G70	
48	91001205500	O-RING	1		1A G55	
49	80601110400	RING,RITAINING	1		S40	
50	90151200100	BOLT,EYE	1		M10	
51	82400000478	BREATHER	1			
52	36070525390	PLUG	1		PT1/2X1/8	
53	80205000300	PLUG	1		PT3/8	
54	90172110060	BOLT,HEXAGON SOCKET	8		M10X60	
55	90172110040	BOLT,HEXAGON SOCKET	6		M10X40	
56	90302041001	WASHER,SPRING	14		10	
57	90101508025	BOLT	12		M8X25	
58	90171112030	BOLT	4		M12X30	
59	90171116035	BOLT	4		M16X35	
60	90171110045	BOLT	2		M10X45	
61	90171106010	BOLT,HEXAGON SOCKET	4		M6X10	
62	36072815400	PIN (PARALLEL)	2			
63	80205000200	PLUG	1		PT1/4	
64	36072815410	BOLT,FLAT HEAD	5			
65	90201201000	NUT	12		M10	
66	90101208020	BOLT	2		M8X20	
67	90201200800	NUT	2		M8	
68	90302041601	WASHER,SPRING	4		16	
69	90302041201	WASHER,SPRING	4		12	
70	90302041001	WASHER,SPRING	5		10	
71	90302040801	WASHER,SPRING	14		8	
72	90302040601	WASHER,SPRING	4		6	
73	90303071001	WASHER,PLAIN	2		10	
74	36072815420	SPRING	1			

TM-ZE300 41044507044A FRAME/HOOK-IN(AWL)

Pos No.	Parts No	Parts Name	Qty	Unit	Technical Data	Serial No (Start)
75	36072815430	BALL,STEEL	1			
76	80136320020	PIN,SPLIT	2		2X20	
77	80601110350	RING,RITAINING	1		S35	
78	36072815440	PIN (PARALLEL)	1			
79	36072815450	SPRING	1			
100	36072810000	WINCH (HARTYS)	1			

www.AutoEPC.com

TM-ZE300 41044507044A FRAME/HOOK-IN(AWL)
 PF1010237-00 WINCH (OOKUBO)



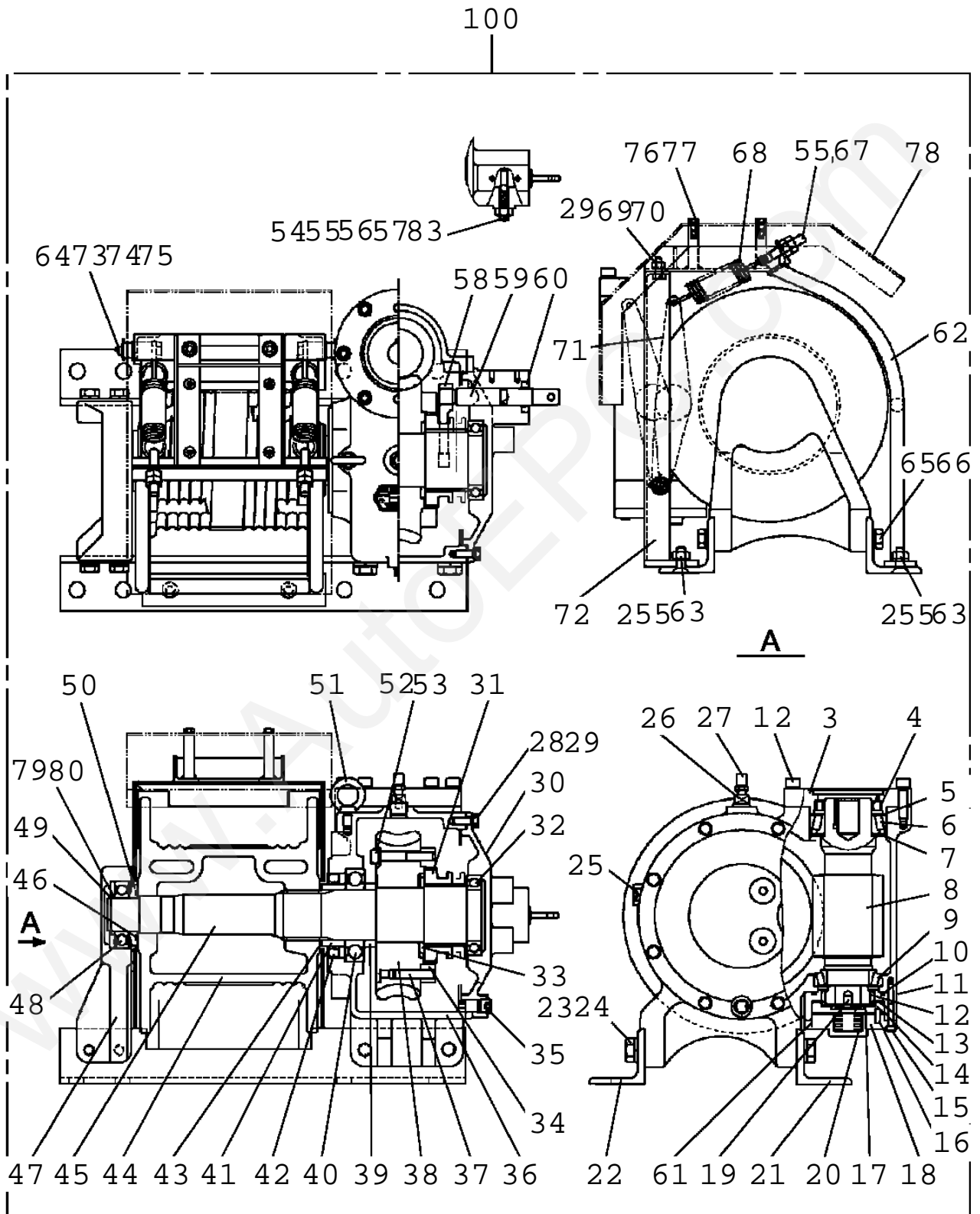
● Protective seal
 ● Replacement interval name plate

● : FACING KIT KEY NO1 01 (JAPANESE)

TM-ZE300 41044507044A FRAME/HOOK-IN(AWL)

Pos No.	Parts No	Parts Name	Qty	Unit	Technical Data	Serial No (Start)
1	36072255010	CASING	1			
2	36072255020	COVER	1			
3	36072255030	GEAR (1)	1			
6	36073425030	DISK	1			
7	36073425020	WHEEL,RATCHET	1			
8	36073425040	BUSH	1			
9	36072255091	RING,SLIP	1			
10	36072255101	RATCHET	1			
11	36072255110	PIN	1			
12	36072255120	SPRING	1			
13	36072255130	PIN	1			
14	36072255140	PLATE (LOCK)	1			
15	80172304010	SCREW,MACHINE	1		M4X10	
17	36072255160	BOLT (WITH WASHER)	6		M8X25	
19	36072255180	GAUGE,OIL	1			
20	36072255240	PLUG	1			
21	80500006004	BEARING,BALL	1			
22	80500006212	BEARING,BALL	1			
23	80500006305	BEARING,BALL	1			
24	80500006007	BEARING,BALL	1			
25	36072255190	KEY	2		7X7X20	
26	36072255250	O-RING	1			
27	91001101500	O-RING	1		1A P15	
28	36072255210	SEAL,OIL	1			
29	36072255220	NUT,CASTLE	1		M24	
30	80136350035	PIN,SPLIT	1		5X35	
31	80602110620	RING,RITAINING	1		R62	
41	36073435011	GEAR SET	1			
50	36073430000	WINCH (OOKUBO)	1			
101	36072251000	FACING KIT(JAPANESE)	1			

TM-ZE300 41044507044A FRAME/HOOK-IN(AWL)
PF1010242-01 WINCH (YG.TEC)



TM-ZE300 41044507044A FRAME/HOOK-IN(AWL)

Pos No.	Parts No	Parts Name	Qty	Unit	Technical Data	Serial No (Start)
1	90172110040	BOLT,HEXAGON SOCKET	6		M10X40	
2	90302041001	WASHER,SPRING	11		10	
3	36073295010	FLANGE (MOTOR)	1			
4	91280230551	SEAL,OIL	1			
5	36073295020	SHIM SET	1			
6	36073295500	BEARING,TAPER ROLLER	1			
7	36073295030	SLING	1			
8	36073295040	GEAR,WORM	1			
9	36073295510	BEARING,TAPER ROLLER	1			
10	91001208000	O-RING	1		1A G80	
11	36073295050	HOUSING	1			
12	36700215070	GEAR,BRAKE	1			
13	36700215090	PLATE	1			
14	36072455150	PLATE (PRESSURE)	1			
15	90172106050	BOLT,HEXAGON SOCKET	6		M6X50	
16	36073295360	PIN	1			
17	80601110300	RING,RITAINING	1		S30	
18	36073295060	COVER	1			
19	36072455130	KEY	1			
20	36072455180	SPRING	1			
21	36073295070	FRAME (A)	1			
22	36073295080	FRAME (B)	1			
23	90101516035	BOLT	4		M16X35	
24	90302041601	WASHER,SPRING	4		16	
25	80316090040	PLUG SOCKET	1		R1/4	
26	36070845050	PLUG	1		R1/2XRC1/8	
27	14123000400	BREATHER	1		PT1/8	
28	90101508025	BOLT	8		M8X25	
29	90302040801	WASHER,SPRING	10		8	
30	36073295090	COVER (CASE)	1			
31	36073295100	GEAR (SHIFT)	1			
32	80500006012	BEARING,BALL	1			
33	36073295520	RING,THRUST	1			
34	36073295110	GEAR,INTERNAL	1			
35	80316090060	PLUG	1		KKT PT3/8	
36	36073295120	CASE,GEAR	1			
37	36073295320	PIN	2			
38	36073295130	WHEEL,WORM	1			
39	36073295140	SPACER	1			
40	80500006212	BEARING,BALL	1			
41	36073295150	SLEEVE	1			
42	91280436181	SEAL,OIL	1			
43	91001006500	O-RING	1		S65	
44	36073295160	DRUM	1			
45	36073295170	DRUM,SHAFT	1			
46	91001205000	O-RING	1		1A G50	
47	36073295180	SUPPORT	1			
48	80516006208	BEARING,BALL	1			
49	80601110400	RING,RITAINING	1		S40	
50	36073295190	SPACER	1			
51	90151200100	BOLT,EYE	1		M10	
52	90131910065	BOLT,HEXAGON SOCKET	8		M10X65	
53	36081385080	WASHER	8			
54	36073295200	GUIDE,BLOCK	1			
55	90201201000	NUT	10		M10	
56	36073295210	SPRING	1			
57	80560008000	BALL,STEEL	1		8	
58	36073295220	SHIFTER	1			
59	36073295231	SHIFTER	1			
60	36073295340	SEAL,OIL	1			
61	36073295350	O-RING	1			
62	36073295240	GUIDE (WIRE)	1			
63	90181010030	BOLT	5		M10X30	
64	90236201000	NUT,CASTLE	2		M10	
65	90171112030	BOLT	4		M12X30	
66	90302041201	WASHER,SPRING	4		12	
67	36073295250	BOLT	2			
68	36073295260	SPRING	2			
69	90101208020	BOLT	2		M8X20	
70	90201200800	NUT	2		M8	
71	36073295270	ROLLER ASSY	1			
72	36073295280	ROLLER (STAND)	1			
73	36073295300	BOLT	2			
74	90303071001	WASHER,PLAIN	2		10	

TM-ZE300 41044507044A FRAME/HOOK-IN(AWL)

Pos No.	Parts No	Parts Name	Qty	Unit	Technical Data	Serial No (Start)
75	80136325025	PIN, SPLIT	2		2.5X25	
76	90302040601	WASHER, SPRING	4		6	
77	90101506010	BOLT	4		M6X1.0	
78	36073295291	COVER	1			
79	36073295310	SHIM SET	1			
80	12213012000	SPACER	1		T=3	
83	36073295530	SEAL, FASTENER	1			
100	36073290000	WINCH (YG.TEC)	1			

www.AutoEPC.com

TM-ZE300 41044507044A FRAME/HOOK-IN(AWL)
 PF1010380-00 WINCH (SELF,3TX1:SR)

指示番号 KEY NO.	ウインチ (セルフ,3T X 1:シンク'ルラジ'コン) WINCH (SELF,3T X 1:SR)
1	マウント,ウインチ MOUNT,WINCH
2	オペ .ASSY,クラッチ OPE.ASSY,CLUTCH
3	パイピング,ウインチ PIPING,WINCH
4	ハイセンASSY ELEC.ASSY
5	ハイセンASSY (シンク'ルラジ'コンヨウハーネス) ELEC.ASSY (HARNESS FOR SR)
6	ハイセンASSY (ヒシ'ヨウスイッチ) ELEC.ASSY (EMERGENCY SWITCH)
7	プレートASSY,ネーム PLATE ASSY,NAME
8	フック HOOK
9	オペ .ASSY,ソウサバルブ OPE.ASSY,CONT.VALVE
10	ラジオ コントロール RADIO CONTROL
11	バルブ,リモート コントロール VALVE,REMOTE CONTROL
12	パイピング (オプションバルブ-メインバルブ) PIPING (OPT.VALVE-MAIN VALVE)

TM-ZE300 41044507044A FRAME/HOOK-IN(AWL)

Pos No.	Parts No	Parts Name	Qty	Unit	Technical Data	Ser
1	(*****)	MOUNT,WINCH (3T SELF)	1			
2	(*****)	OPE.ASSY,CLUTCH	1			
3	(*****)	PIPING,WINCH	1			
4	(*****)	ELEC.ASSY	1			
5	(*****)	ELEC.ASSY (HARNESS FOR SR)	1			
6	(*****)	ELEC.ASSY (EMERGENCY SWITCH)	1			
7	(*****)	PLATE ASSY,NAME (SL WINCH)	1			
8	(*****)	HOOK (SELF, 3TONX1-PART LINE)	1			
9	(*****)	OPE.ASSY,CONT.VALVE	1			
10	36806530000	PARTS ASSY,RADIO CONTROLLER (8CH)	1			
11	36740770001	VALVE,REMOTE CONTROL	1			
12	(*****)	PIPING (OPT.VALVE-MAIN VALVE)	1			

www.AutoEPC.com

TM-ZE300 41044507044A FRAME/HOOK-IN(AWL)
 PF1010381-00 WINCH (SELF,3TX1:SR+REAR OUTRIGGER)

指示番号 KEY NO.	ウインチ (セルフ,3T X 1:シンク ルラジ* コン+リヤアウトリカ*) WINCH (SELF,3T X 1:SR+REAR OUTRIGGER)
1	マウント,ウインチ MOUNT,WINCH
2	オペ .ASSY,クラッチ OPE.ASSY,CLUTCH
3	パイピング,ウインチ PIPING,WINCH
4	ハイセンASSY ELEC.ASSY
5	ハイセンASSY (シンク ルラジ* コンヨウハーネス) ELEC.ASSY (HARNESS FOR SR)
6	ハイセンASSY (リヤアウトリカ* ヨウ) ELEC.ASSY (FOR REAR OUTRIGGER)
7	ハイセンASSY (ヒジ* ヨウスイツチ) ELEC.ASSY (EMERGENCY SWITCH)
8	プレートASSY,ネーム (SLウインチ) PLATE ASSY,NAME (SL WINCH)
9	プレートASSY,ネーム (リヤアウトリカ*) PLATE ASSY,NAME (REAR OUTRIGGER)
10	フック HOOK
11	オペ .ASSY,ソウサハ* ルフ* OPE.ASSY,CONT.VALVE
12	ラジオ コントロール RADIO CONTROL
13	ハ* ルフ*,リモート コントロール VALVE,REMOTE CONTROL
14	パイピング (オプ* ションハ* ルフ* -メインハ* ルフ*) PIPING (OPT.VALVE-MAIN VALVE)
15	アウトリカ*,リヤ OUTRIGGER,REAR
16	ロックASSY (リヤアウトリカ*) LOCK ASSY (REAR OUTRIGGER)
17	シリンダ*,シ* ヤツキ (リヤ) CYLINDER,JACK (REAR)
18	パイピング,リヤ シ* ヤツキ (2) PIPING,REAR JACK (2)
19	パイピング,リヤ シ* ヤツキ (1) PIPING,REAR JACK (1)

TM-ZE300 41044507044A FRAME/HOOK-IN(AWL)

Pos No.	Parts No	Parts Name	Qty	Unit	Technical Data	Ser
1	(*****)	MOUNT,WINCH (3T SELF)	1			
2	(*****)	OPE.ASSY,CLUTCH	1			
3	(*****)	PIPING,WINCH	1			
4	(*****)	ELEC.ASSY	1			
5	(*****)	ELEC.ASSY (HARNESS FOR SR)	1			
6	(*****)	ELEC.ASSY (FOR REAR OUTRIGGER)	1			
7	(*****)	ELEC.ASSY (EMERGENCY SWITCH)	1			
8	(*****)	PLATE ASSY,NAME (SL WINCH)	1			
9	(*****)	PLATE ASSY,NAME (REAR OUTRIGGER)	1			
10	(*****)	HOOK (SELF, 3TONX1-PART LINE)	1			
11	(*****)	OPE.ASSY,CONT.VALVE	1			
12	36806530000	PARTS ASSY,RADIO CONTROLLER (8CH)	1			
13	36740790001	VALVE,REMOTE CONTROL	1			
14	(*****)	PIPING (OPT.VALVE-MAIN VALVE)	1			
15	(*****)	OUTRIGGER,REAR (FRAME)	1			
16	(*****)	LOCK ASSY	1			
17	(*****)	CYLINDER,JACK (REAR OUTRIGGER)	2			
18	(*****)	PIPING,REAR JACK (2,ROTARY)	1			
19	(*****)	PIPING,REAR JACK (1)	1			

www.AutoEPC.com

TM-ZE300 41044507044A FRAME/HOOK-IN(AWL)
 PF1010382-00 WINCH (SELF,3TX1:FR)

指示番号 KEY NO.	ウインチ (セルフ,3T X 1:フルラジコン) WINCH (SELF,3T X 1:FR)
1	マウント, ウインチ MOUNT, WINCH
2	オペ . ASSY, クラッチ OPE. ASSY, CLUTCH
3	パイピング, ウインチ PIPING, WINCH
4	ハイセンASSY ELEC. ASSY
5	ハイセンASSY (CN99/プラグ) ELEC. ASSY (CN99/PLUG)
6	ハイセンASSY (ヒシヨウスイッチ) ELEC. ASSY (EMERGENCY SWITCH)
7	プレートASSY, ネーム PLATE ASSY, NAME
8	フック HOOK
9	オペ . ASSY, ソウサバルブ OPE. ASSY, CONT. VALVE
10	バルブ, リモート コントロール VALVE, REMOTE CONTROL
11	パイピング (オプションバルブ - メインバルブ) PIPING (OPT. VALVE-MAIN VALVE)

TM-ZE300 41044507044A FRAME/HOOK-IN(AWL)

Pos No.	Parts No	Parts Name	Qty	Unit	Technical Data	Serial
1	(*****)	MOUNT,WINCH (3T SELF)	1			
2	(*****)	OPE.ASSY,CLUTCH	1			
3	(*****)	PIPING,WINCH	1			
4	(*****)	ELEC.ASSY	1			
5	(*****)	ELEC.ASSY (CN99/PLUG)	1			
6	(*****)	ELEC.ASSY (EMERGENCY SWITCH)	1			
7	(*****)	PLATE ASSY,NAME (SL WINCH)	1			
8	(*****)	HOOK (SELF, 3TONX1-PART LINE)	1			
9	(*****)	OPE.ASSY,CONT.VALVE	1			
10	36740770001	VALVE,REMOTE CONTROL	1			
11	(*****)	PIPING (OPT.VALVE-MAIN VALVE)	1			

www.AutoEPC.com

TM-ZE300 41044507044A FRAME/HOOK-IN(AWL)
PF1010383-01 WINCH (SELF,3TX1:FR/WINCHLESS)

指示番号 KEY NO.	ウインチ (セルフ,3T X 1:フルラシ コン/ウインチレス) WINCH (SELF,3T X 1:FR/WINCHLESS)
1	バルブ, リモート コントロール VALVE, REMOTE CONTROL
2	パイピング (オプションバルブ -メインバルブ) PIPING (OPT. VALVE-MAIN VALVE)
3	パイピング (ウインチレス/プラグ: キャリオーバーバルブ) PIPING (WINCHLESS/PLUG: CARRYOVER VALVE)
4	オペ. ASSY, ソウサバルブ OPE. ASSY, CONT. VALVE
5	ハイセンASSY (ヒシヨウスイッチ) ELEC. ASSY (EMERGENCY SWITCH)
8	ハイセンASSY (セツゾクハーネス) ELEC. ASSY (CONNECTED HARNESS)

TM-ZE300 41044507044A FRAME/HOOK-IN(AWL)

Pos No.	Parts No	Parts Name	Qty	Unit	Technical Dat
1	36740770001	VALVE,REMOTE CONTROL	1		
2	(*****)	PIPING (OPT.VALVE-MAIN VALVE)	1		
3	(*****)	PIPING (WINCHLESS/PLUG:CARRYOVER VALVE)	1		
4	(*****)	OPE.ASSY,CONT.VALVE	1		
5	(*****)	ELEC.ASSY (EMERGENCY SWITCH)	1		
8	(*****)	ELEC.ASSY (CONNECTED HARNESS)	1		

www.AutoEPC.com

TM-ZE300 41044507044A FRAME/HOOK-IN(AWL)
 PF1010384-00 WINCH (SELF,3TX1:FR+REAR OUTRIGGER)

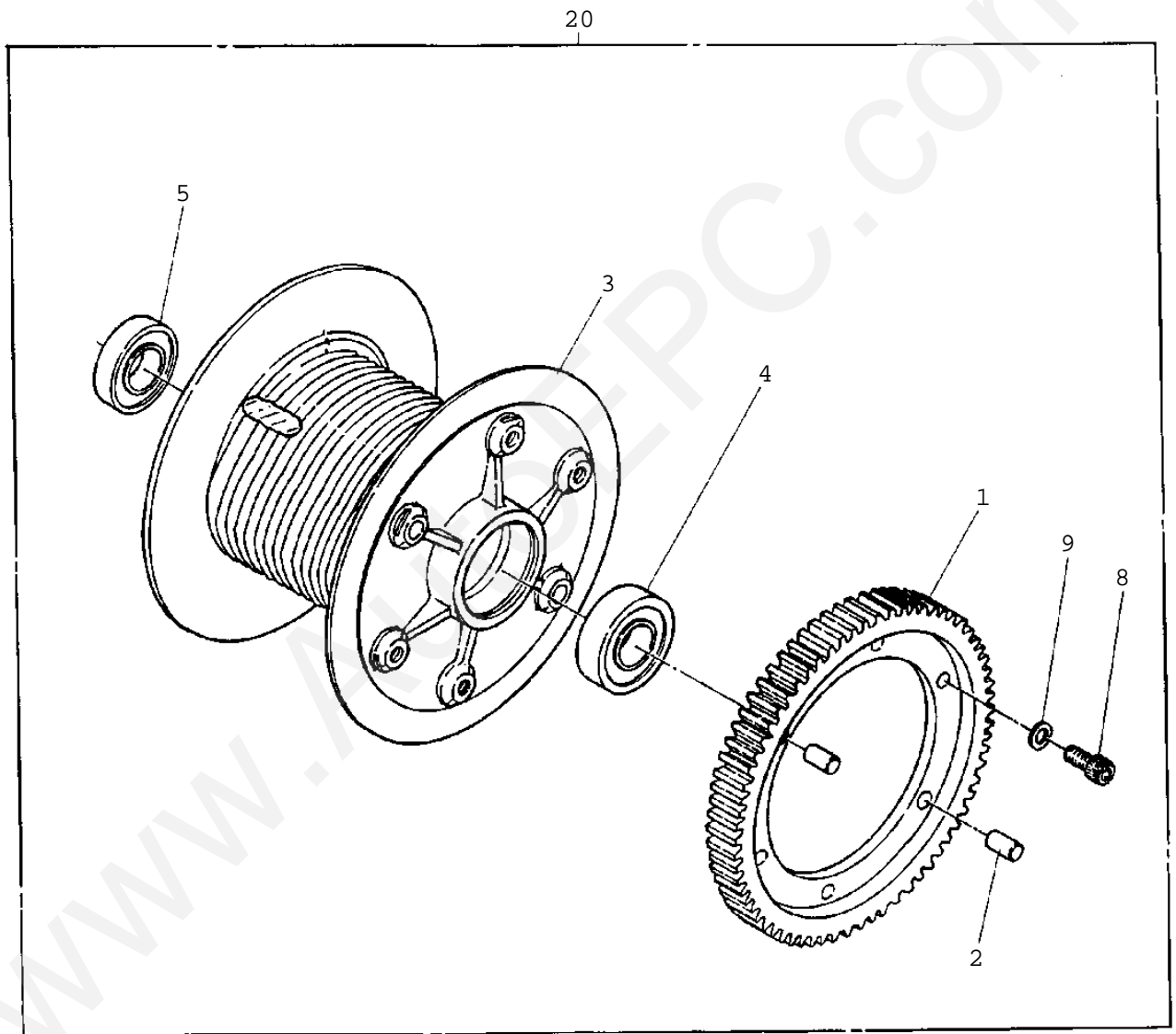
指示番号 KEY NO.	ウインチ (セルフ,3T X 1:フルラジ*コン+リヤアウトリカ*) WINCH (SELF,3T X 1:FR+REAR OUTRIGGER)
1	マウント,ウインチ MOUNT,WINCH
2	オペ*.ASSY,クラッチ OPE*.ASSY,CLUTCH
3	パイピング,ウインチ PIPING,WINCH
4	ハイセンASSY ELEC.ASSY
5	ハイセンASSY (CN99/プラグ*) ELEC.ASSY (CN99/PLUG)
6	ハイセンASSY (リヤアウトリカ*ヨウ) ELEC.ASSY (FOR REAR OUTRIGGER)
7	ハイセンASSY (ヒジ*ヨウスイツチ) ELEC.ASSY (EMERGENCY SWITCH)
8	プレートASSY,ネーム (SLウインチ) PLATE ASSY,NAME (SL WINCH)
9	プレートASSY,ネーム (リヤアウトリカ*) PLATE ASSY,NAME (REAR OUTRIGGER)
10	フック HOOK
11	オペ*.ASSY,ソウサハ*ルブ* OPE*.ASSY,CONT*.VALVE
12	ハ*ルブ*,リモート コントロール VALVE,REMOTE CONTROL
13	パイピング (オプ*シヨンハ*ルブ* -メインハ*ルブ*) PIPING (OPT*.VALVE-MAIN VALVE)
14	アウトリカ*,リヤ OUTRIGGER,REAR
15	ロックASSY (リヤアウトリカ*) LOCK ASSY (REAR OUTRIGGER)
16	シリンダ*,シ*ヤツキ (リヤ) CYLINDER,JACK (REAR)
17	パイピング,リヤシ*ヤツキ (2) PIPING,REAR JACK (2)
18	パイピング,リヤシ*ヤツキ (1) PIPING,REAR JACK (1)

TM-ZE300 41044507044A FRAME/HOOK-IN(AWL)

Pos No.	Parts No	Parts Name	Qty	Unit	Technical Data	Seri
1	(*****)	MOUNT,WINCH (3T SELF)	1			
2	(*****)	OPE.ASSY,CLUTCH	1			
3	(*****)	PIPING,WINCH	1			
4	(*****)	ELEC.ASSY	1			
5	(*****)	ELEC.ASSY (CN99/PLUG)	1			
6	(*****)	ELEC.ASSY (FOR REAR OUTRIGGER)	1			
7	(*****)	ELEC.ASSY (EMERGENCY SWITCH)	1			
8	(*****)	PLATE ASSY,NAME (SL WINCH)	1			
9	(*****)	PLATE ASSY,NAME (REAR OUTRIGGER)	1			
10	(*****)	HOOK (SELF, 3TONX1-PART LINE)	1			
11	(*****)	OPE.ASSY,CONT.VALVE	1			
12	36740790001	VALVE,REMOTE CONTROL	1			
13	(*****)	PIPING (OPT.VALVE-MAIN VALVE)	1			
14	(*****)	OUTRIGGER,REAR (FRAME)	1			
15	(*****)	LOCK ASSY	1			
16	(*****)	CYLINDER,JACK (REAR OUTRIGGER)	2			
17	(*****)	PIPING,REAR JACK (2,ROTARY)	1			
18	(*****)	PIPING,REAR JACK (1)	1			

www.AutoEPC.com

TM-ZE300 41044507044A FRAME/HOOK-IN(AWL)
PF1020004-01 DRUM,WINCH



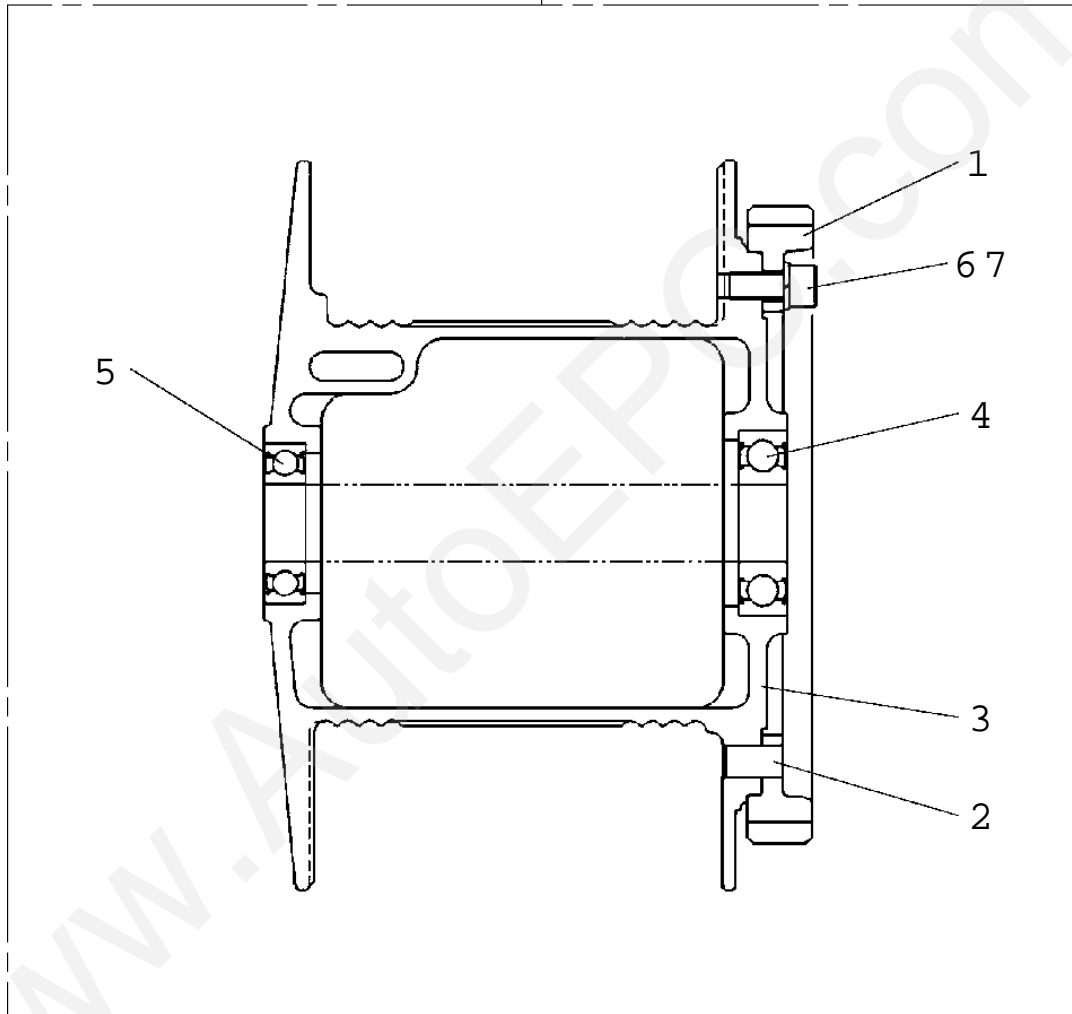
TM-ZE300 41044507044A FRAME/HOOK-IN(AWL)

Pos No.	Parts No	Parts Name	Qty	Unit	Technical Data	Serial No (Start)
1	31310237510	GEAR, SPUR	1			
2	31310005010	PIN	2			
3	31310617510	DRUM	1			
4	80516006306	BEARING, BALL	1			
5	80516006206	BEARING, BALL	1			
8	31310617520	BOLT, HEXAGON SOCKET	4		M10X25	
9	90302041001	WASHER, SPRING	4		10	
20	31310610100	DRUM, WINCH	1			

www.AutoEPC.com

TM-ZE300 41044507044A FRAME/HOOK-IN(AWL)
PF1020035-00 DRUM,WINCH

100



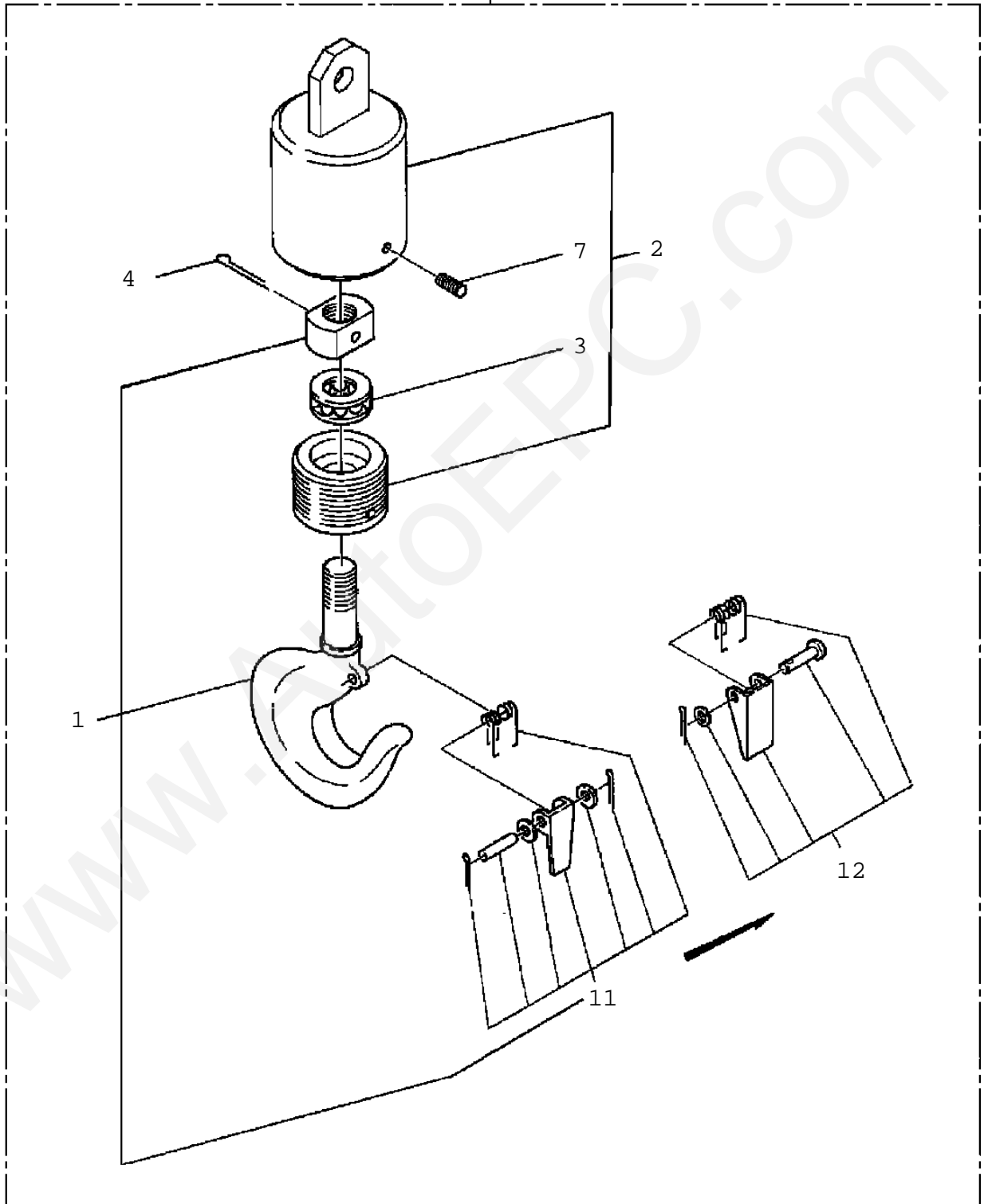
TM-ZE300 41044507044A FRAME/HOOK-IN(AWL)

Pos No.	Parts No	Parts Name	Qty	Unit	Technical Data	Serial No (Start)
1	31310617530	GEAR, SPUR	1			
2	31310617540	PIN	2			
3	31310617550	DRUM	1			
4	80516006306	BEARING, BALL	1			
5	80516006206	BEARING, BALL	1			
6	90172410025	BOLT, HEXAGON SOCKET	4		M10X25	
7	90302041001	WASHER, SPRING	4		10	
100	31310610300	DRUM, WINCH	1			

www.AutoEPC.com

TM-ZE300 41044507044A FRAME/HOOK-IN(AWL)
PF1050161-03 HOOK (1-PART LINE ,OPTION)

20

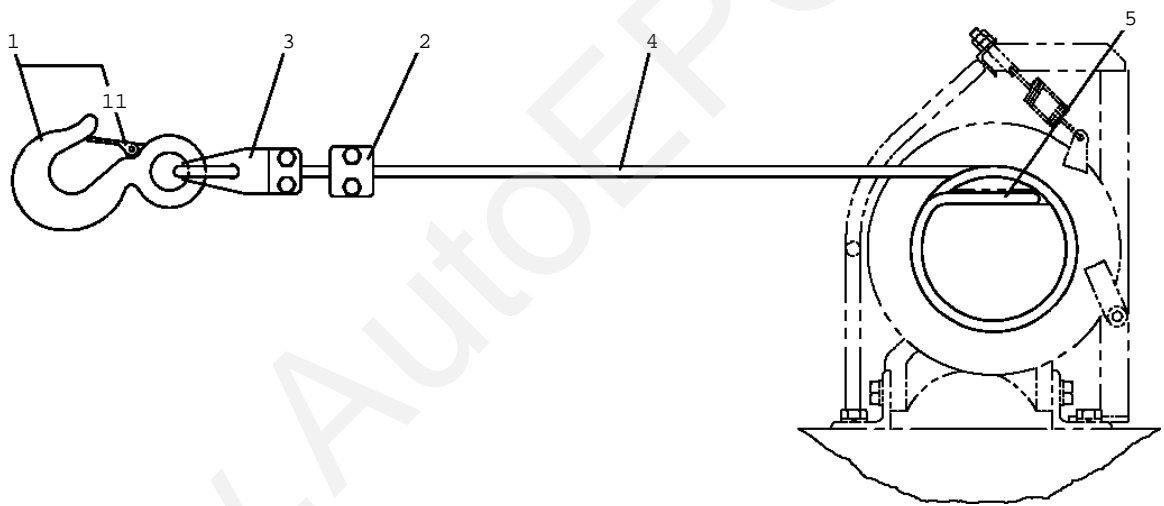


TM-ZE300 41044507044A FRAME/HOOK-IN(AWL)

Pos No.	Parts No	Parts Name	Qty	Unit	Technical Data	Serial No (S
1	14211695513	HOOK ASSY	1			
2	36090239510	BODY ASSY	1			
3	80500051205	BEARING,BALL	1			
4	80136350060	PIN,SPLIT	1		5X60	
7	90710008200	SCREW,SET	1		M8X20	
12	36094049510	STOPPER ASSY	1			
20	36090230000	HOOK (1-PART LINE ,OPTION)	1			

www.AutoEPC.com

TM-ZE300 41044507044A FRAME/HOOK-IN(AWL)
PF1050338-01 HOOK (SELF, 3TONX1-PART LINE)

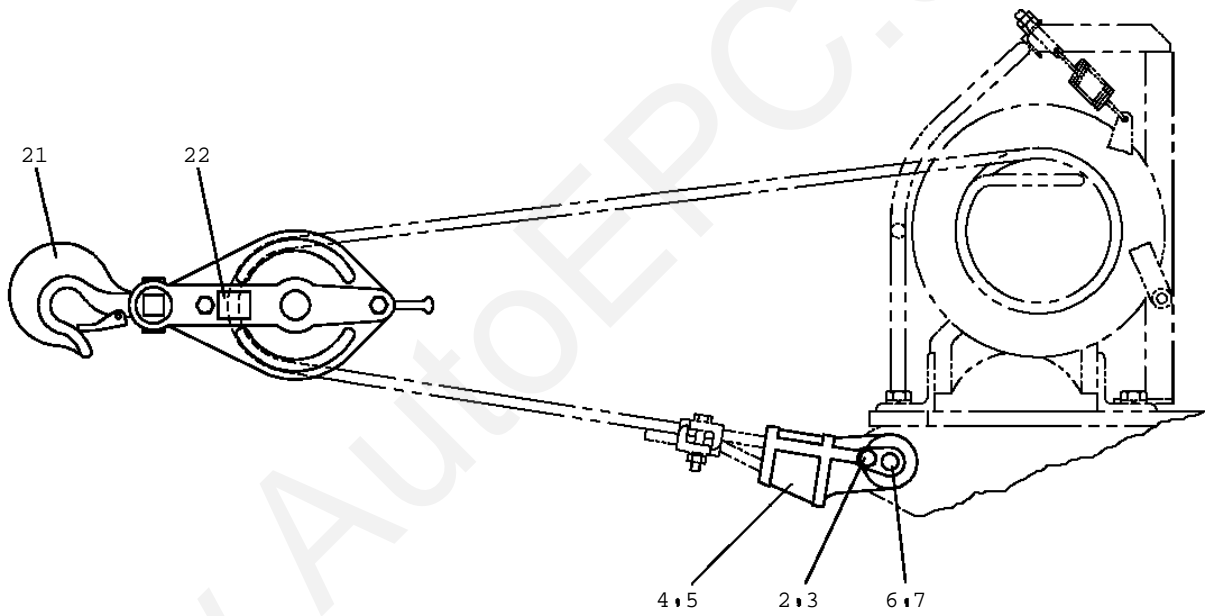


TM-ZE300 41044507044A FRAME/HOOK-IN(AWL)

Pos No.	Parts No	Parts Name	Qty	Unit	Technical Data	Serial
1	36090610000	HOOK (WITH STOPPER)	1			
2	83151211201	CLIP	1			
3	83151111201	CLIP	1			
4	37001806210	ROPE,WIRE	1		12X27M	
5	37002600220	WEDGE	1		12.5	
11	36090615010	STOPPER ASSY (WITH SPRING & PIN)	1			

www.AutoEPC.com

TM-ZE300 41044507044A FRAME/HOOK-IN(AWL)
PF1050342-01 HOOK (SELF, 3TONX2-PART LINE)

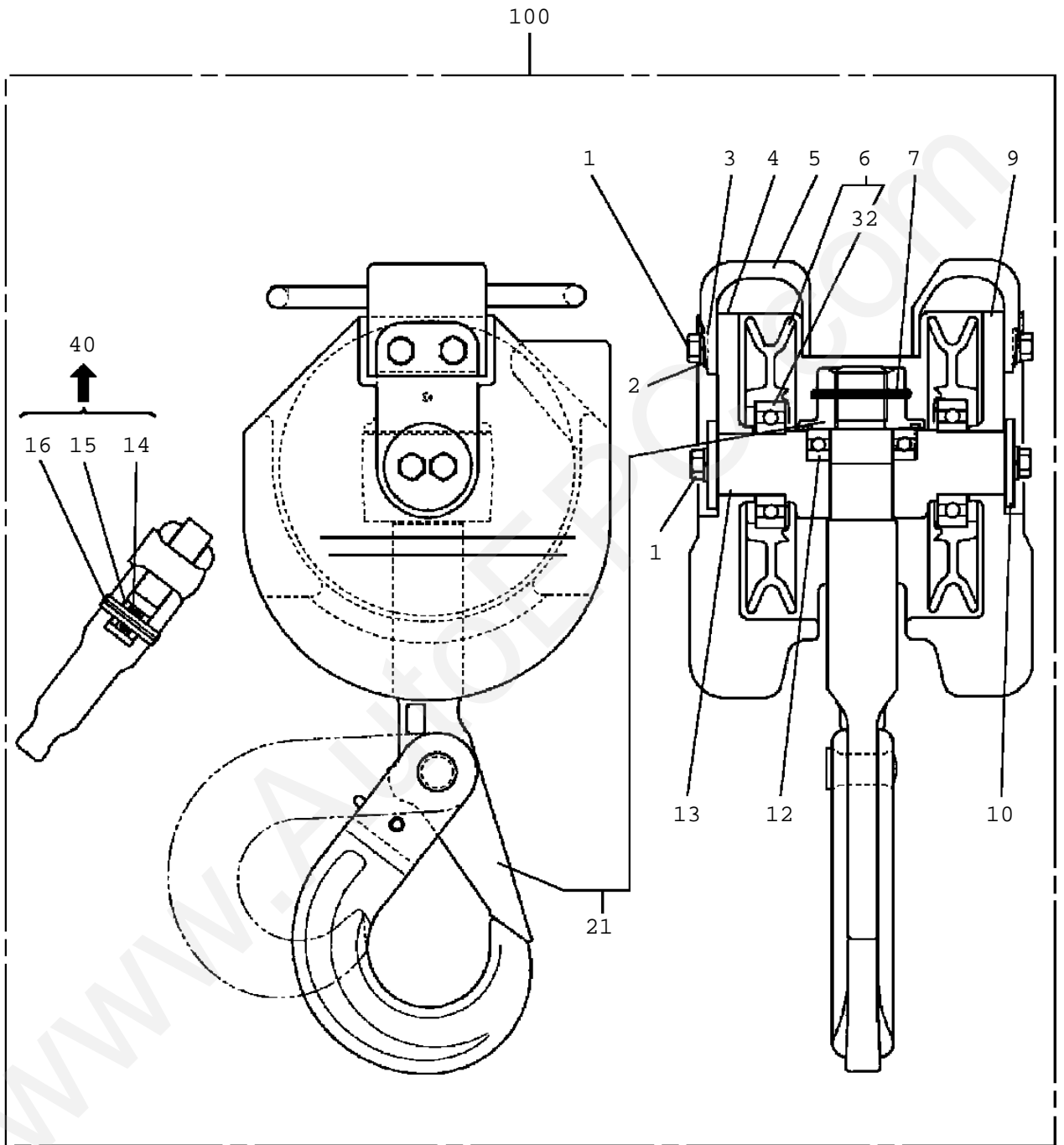


TM-ZE300 41044507044A FRAME/HOOK-IN(AWL)

Pos No.	Parts No	Parts Name	Qty	Unit	Technical Data	Serial No (Start)	Serial
2	90171110014	BOLT	1		M10X14		
3	90302041001	WASHER, SPRING	1		10		
4	37002600480	SOCKET, ROPE	1		12.5		
5	37002600220	WEDGE	1		12.5		
6	37000124510	PIN	1				
7	80136363040	PIN, SPLIT	1		6.3X40		
21	36090710000	HOOK (5TON)	1				
22	31478211100	PLATE, NAME	1				

www.AutoEPC.com

TM-ZE300 41044507044A FRAME/HOOK-IN(AWL)
PF1050425-02 HOOK (LOCKING)



TM-ZE300 41044507044A FRAME/HOOK-IN(AWL)

Pos No.	Parts No	Parts Name	Qty	Unit	Technical Data	Serial No (Start)
1	90191510020	BOLT,HEXAGON SOCKET	8		M10X20	
2	90302041001	WASHER,SPRING	8		10	
3	90303071001	WASHER,PLAIN	4		10	
4	36093860021	BODY	1			
5	36093860042	SUPPORT	1			
6	37001008670	SHEAVE ASSY	2			
7	80720105056	PIN,SPRING	1		5X56	
9	36093860031	BODY	1			
10	36093860080	COVER	2			
12	80500051207	BEARING,BALL	1			
13	36093860071	TRUNNION	1			
21	36095155020	HOOK ASSY	1			
32	36093861100	BEARING,BALL	2			
40	36095150050	TRIGGER SET	1			
100	36095150000	HOOK (LOCKING)	1			

www.AutoEPC.com

TM-ZE300 41044507044A FRAME/HOOK-IN(AWL)
PF1050447-00 HOOK

1	フック HOOK
2	プレートASSY,ネーム PLATE ASSY,NAME

TM-ZE300 41044507044A FRAME/HOOK-IN(AWL)

Pos No.	Parts No	Parts Name	Qty	Unit	Technical Data	Serial No
1	36090230000	HOOK (1-PART LINE ,OPTION)	1			
2	(***** *****)	PLATE ASSY,NAME (HOOK)	1			

www.AutoEPC.com

TM-ZE300 41044507044A FRAME/HOOK-IN(AWL)
PF1050464-00 HOOK (1-PART LINE)

1	フック HOOK
2	プレートASSY,ネーム PLATE ASSY,NAME
3	ディテクタ,オーバ・ウィンド DETECTOR,OVER WIND

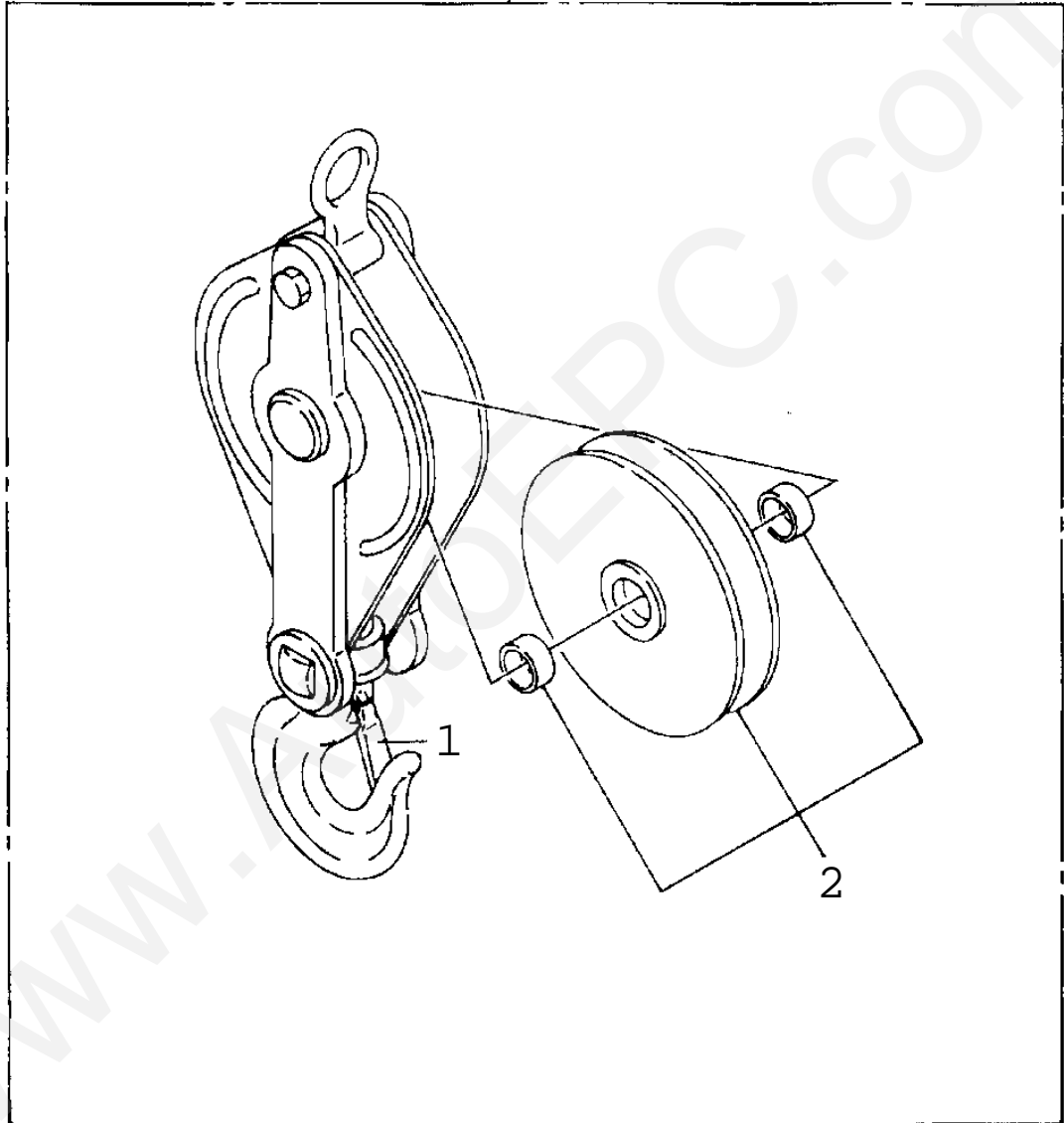
TM-ZE300 41044507044A FRAME/HOOK-IN(AWL)

Pos No.	Parts No	Parts Name	Qty	Unit	Technical Data	Se
1	(*****)	HOOK	1			
2	(*****)	PLATE ASSY,NAME (1-PART LINE OPE.)	1			
3	(*****)	DETECTOR,OVER WINDING	1			

www.AutoEPC.com

TM-ZE300 41044507044A FRAME/HOOK-IN(AWL)
PF1050540-02 HOOK (5TON)

10

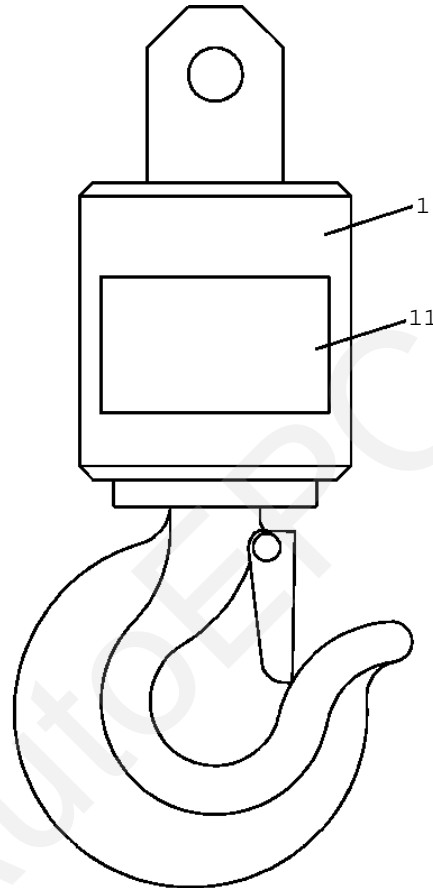


TM-ZE300 41044507044A FRAME/HOOK-IN(AWL)

Pos No.	Parts No	Parts Name	Qty	Unit	Technical Data	Serial No (Start)	Serial :
1	36090715020	STOPPER ASSY	1				
2	36090715010	SHEAVE ASSY	1				
10	36090710000	HOOK (5TON)	1				

www.AutoEPC.com

TM-ZE300 41044507044A FRAME/HOOK-IN(AWL)
PF1050549-01 HOOK (0.49T)



11

つり上げ荷重 0.49 t

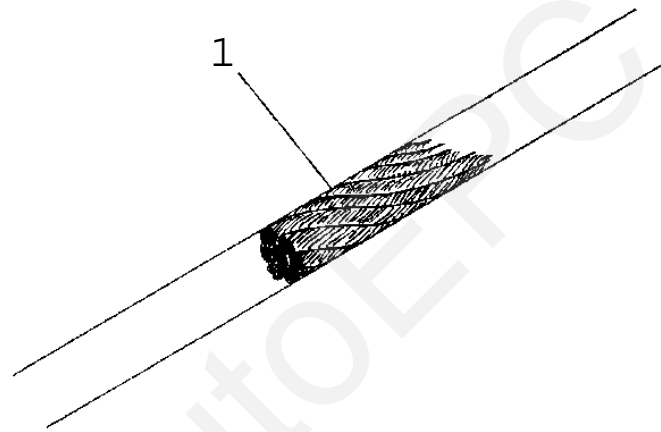
警告	●1本吊り作動時の定価総荷重は、空車時定価総荷重表に示す値です。
	ただし0.49tを超える場合は、0.49tとします。空車時定価総荷重表の値は、つり具重量（フック等）を含んでいます。
	315-014-42110

TM-ZE300 41044507044A FRAME/HOOK-IN(AWL)

Pos No.	Parts No	Parts Name	Qty	Unit	Technical Data	Serial No (S
1	36090230000	HOOK (1-PART LINE ,OPTION)	1			
11	31501442110	PLATE,CAUTION (0.49T)	1			

www.AutoEPC.com

TM-ZE300 41044507044A FRAME/HOOK-IN(AWL)
PF1070033-00 ROPE,WIRE (KISWIRE)

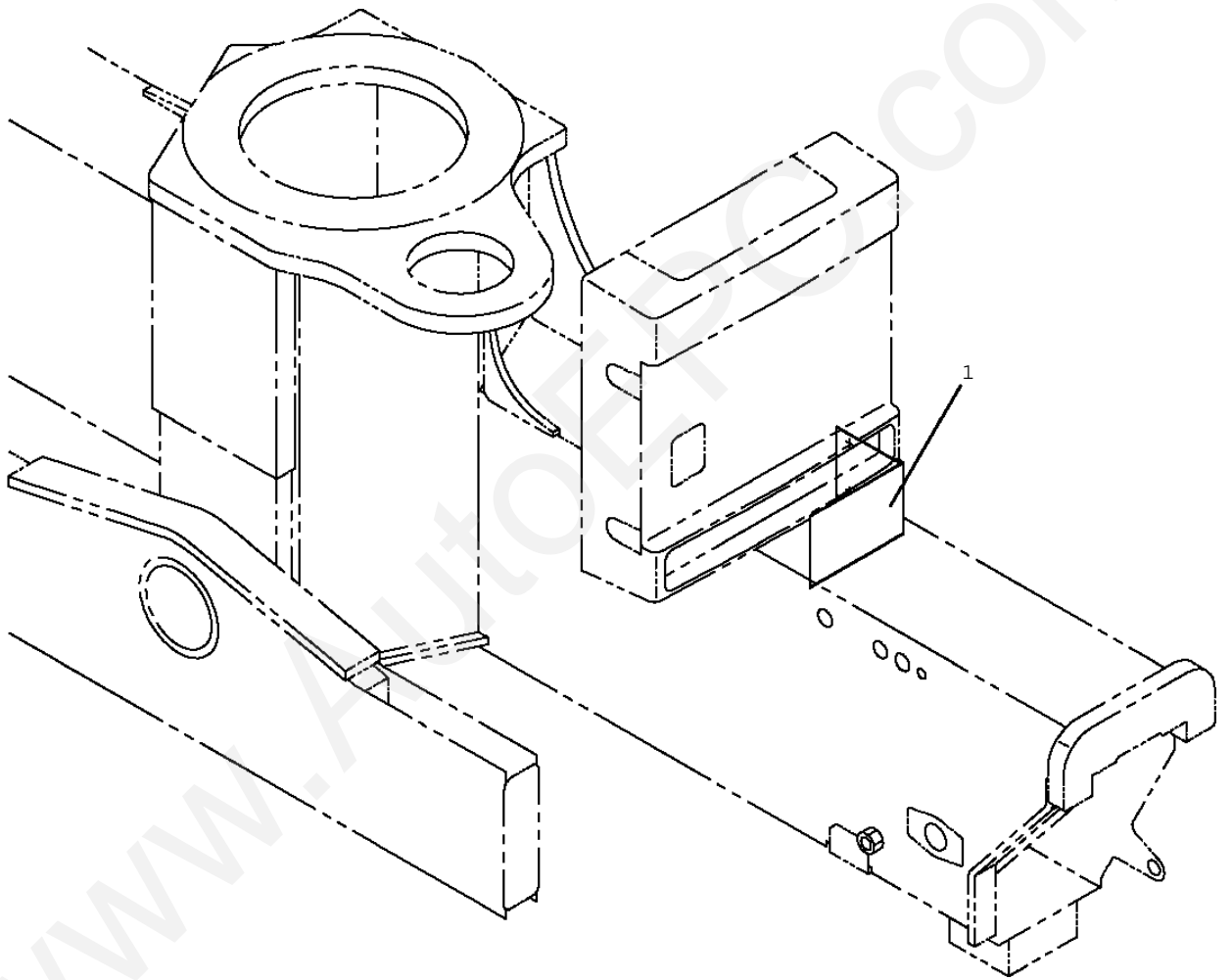


TM-ZE300 41044507044A FRAME/HOOK-IN(AWL)

Pos No.	Parts No	Parts Name	Qty	Unit	Technical Data	Serial No (Start)
1	37001804860	ROPE,WIRE (KISWIRE)	1			

www.AutoEPC.com

TM-ZE300 41044507044A FRAME/HOOK-IN(AWL)
PF1080171-00 SUPPORT (PANEL)

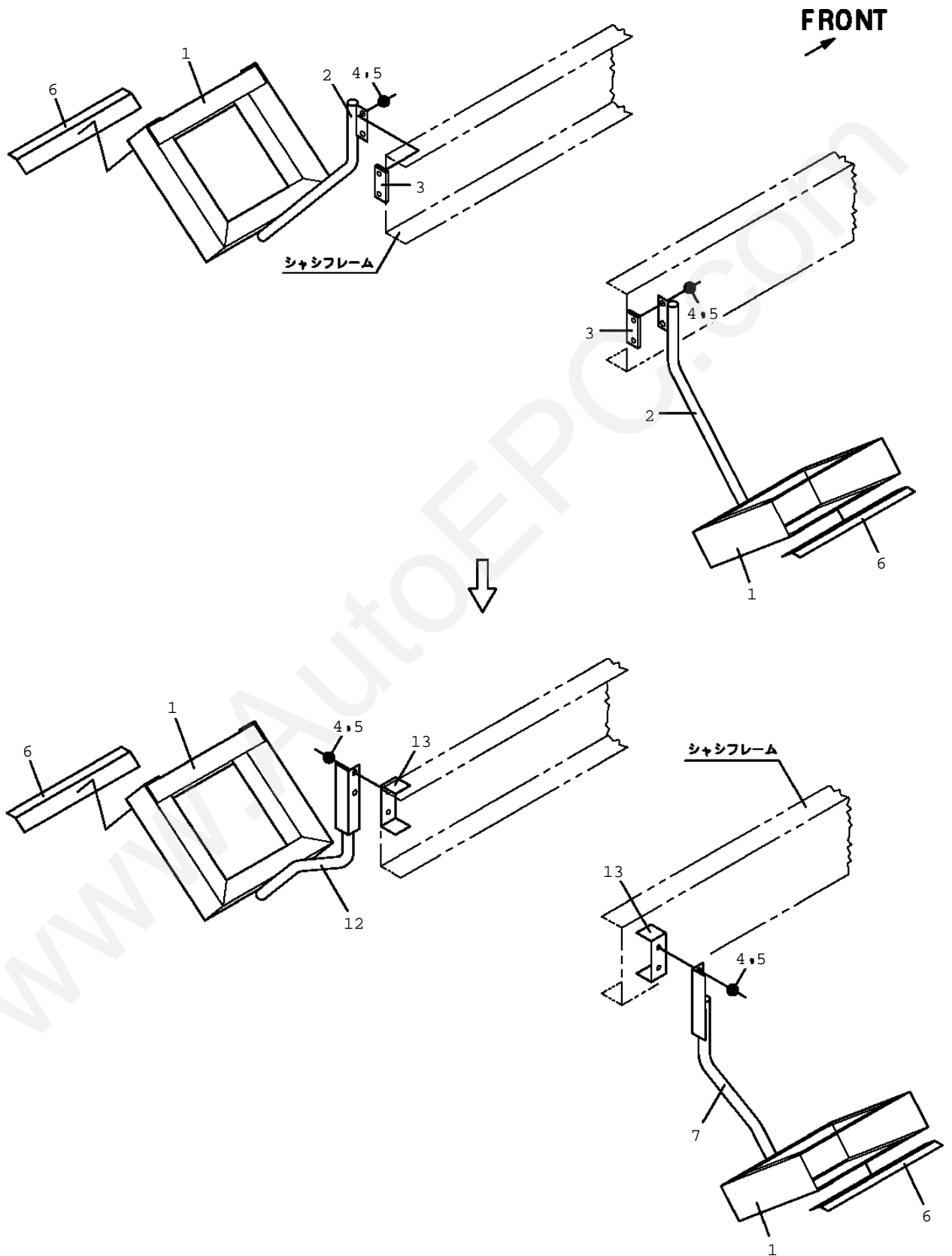


TM-ZE300 41044507044A FRAME/HOOK-IN(AWL)

Pos No.	Parts No	Parts Name	Qty	Unit	Technical Data	Serial No (Start)	Serial No
1	31361944100	SUPPORT	1				

www.AutoEPC.com

TM-ZE300 41044507044A FRAME/HOOK-IN(AWL)
PF1080286-01 SUPPORT

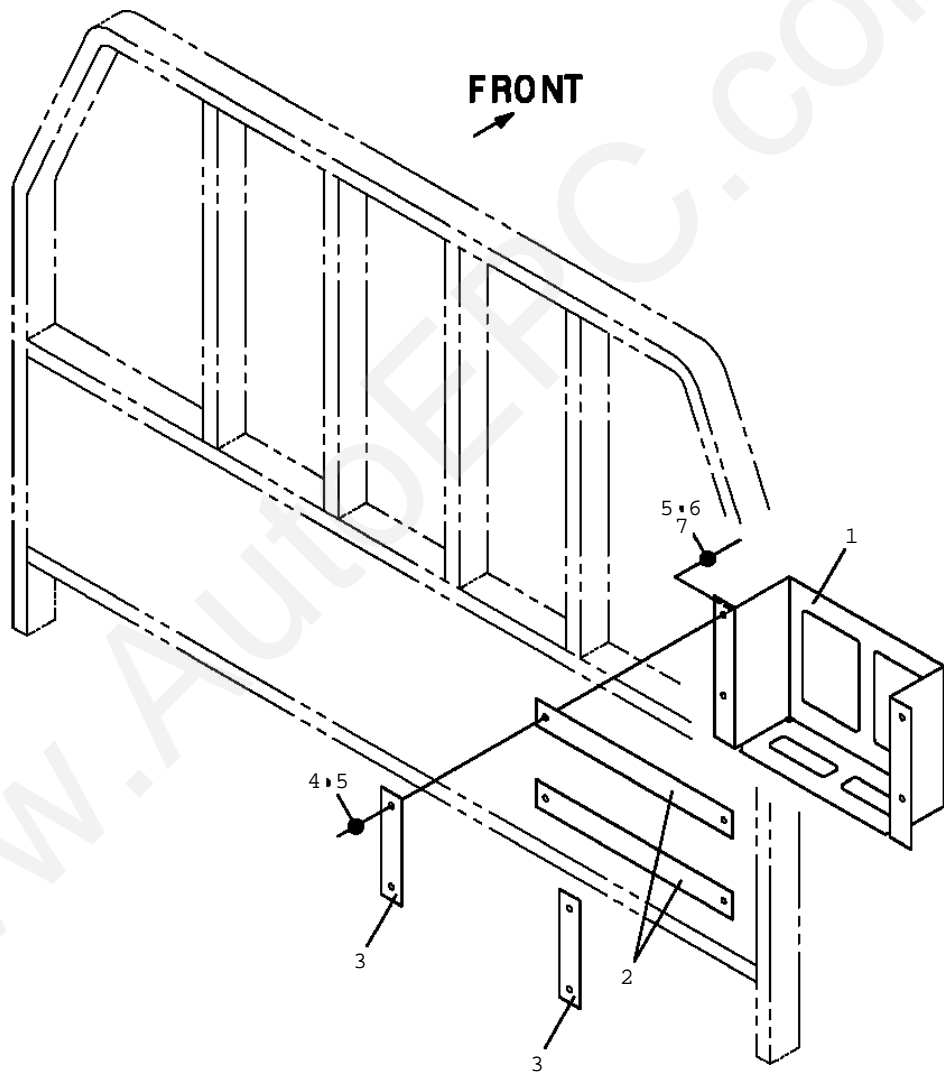


TM-ZE300 41044507044A FRAME/HOOK-IN(AWL)

Pos No.	Parts No	Parts Name	Qty	Unit	Technical Data	Serial No (Start)	Serial
1	31783090100	SUPPORT	2				
4	90101212025	BOLT	4		M12X25		
5	90302041201	WASHER, SPRING	4		12		
6	31783090300	SUPPORT	2				
7	31770770200	SUPPORT	1				
12	31770770100	SUPPORT	1				
13	37000519400	SUPPORT	2				

www.AutoEPC.com

TM-ZE300 41044507044A FRAME/HOOK-IN(AWL)
PF1080287-00 SUPPORT

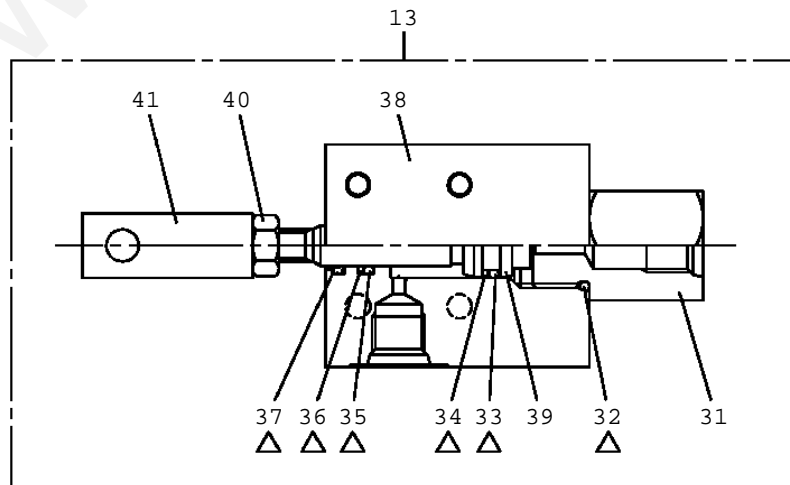
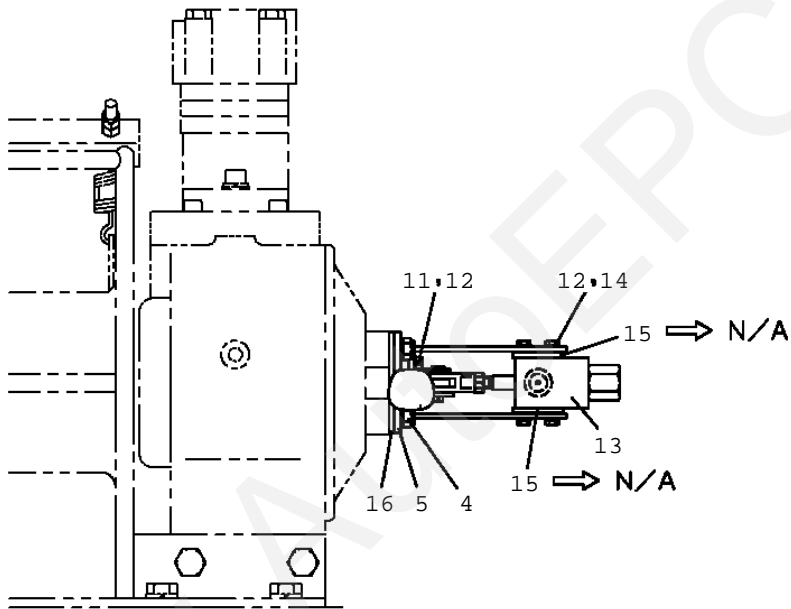
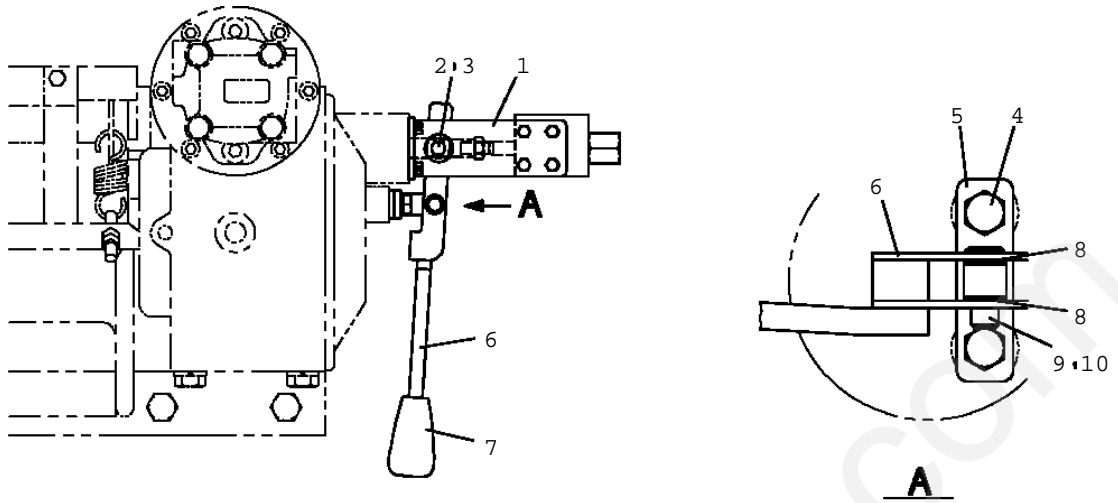


TM-ZE300 41044507044A FRAME/HOOK-IN(AWL)

Pos No.	Parts No	Parts Name	Qty	Unit	Technical Data	Serial No (Start)	Serial
1	31783100100	SUPPORT	1				
2	31783100200	PLATE	2				
3	31783100300	PLATE	2				
4	90102208045	BOLT	4		M8X45		
5	90303070801	WASHER, PLAIN	8		8		
6	90201200800	NUT	4		M8		
7	90302040801	WASHER, SPRING	4		8		

www.AutoEPC.com

TM-ZE300 41044507044A FRAME/HOOK-IN(AWL)
 PF1160071-01 OPE.ASSY,CLUTCH

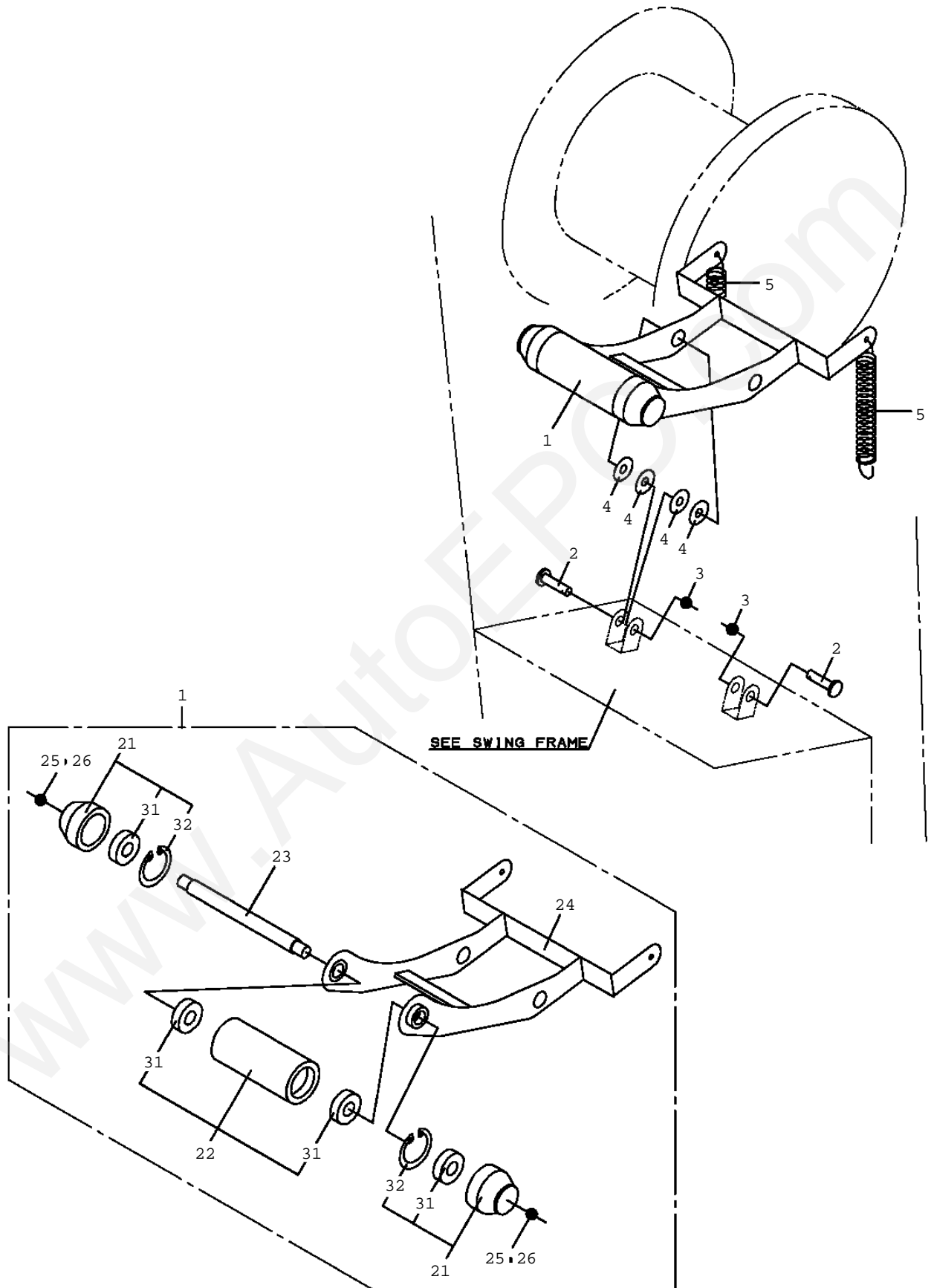


△:PACKING SET KEY NO.50 (KEY NO.32,33,34,35,36,37)

TM-ZE300 41044507044A FRAME/HOOK-IN(AWL)

Pos No.	Parts No	Parts Name	Qty	Unit	Technical Data	Serial No (Start)
1	31331420101	SUPPORT	1			
2	37000107210	PIN	1			
3	80620210080	PIN,SNAP	1			
4	90186210020	BOLT,FLANGE	2		M10X20	
5	31331420200	SUPPORT	1			
6	31331540100	LEVER	1			
7	31324860801	KNOB (BLACK)	1			
8	31322224200	PLATE	2		L=1	
9	37000105750	PIN	1			
10	80136332020	PIN,SPLIT	1		3.2X20	
11	90172106020	BOLT,HEXAGON SOCKET	4		M6X20	
12	90302040601	WASHER,SPRING	12		6	
13	36052750001	CYLINDER ASSY	1			
14	90171106012	BOLT	8		M6X12	
16	37000575690	PLATE	1			
31	37000928340	JOINT	1			
32	91002801800	O-RING	1		1B P18	
33	91002801200	O-RING	1		1B P12	
34	91411001200	RING,BACKUP	1		P12	
35	91002801000	O-RING	1		1B P10	
36	91411001000	RING,BACKUP	1		TIP10A	
37	91650001000	SEAL,DUST	1			
38	36052751001	CYLINDER	1			
39	36052752000	ROD	1			
40	90209200800	NUT	1		M8	
41	37005400270	END	1			
50	36052759900	PACKING SET	1		10X16	

TM-ZE300 41044507044A FRAME/HOOK-IN(AWL)
PF1180084-01 DETECTOR,DISORDERLY WIND

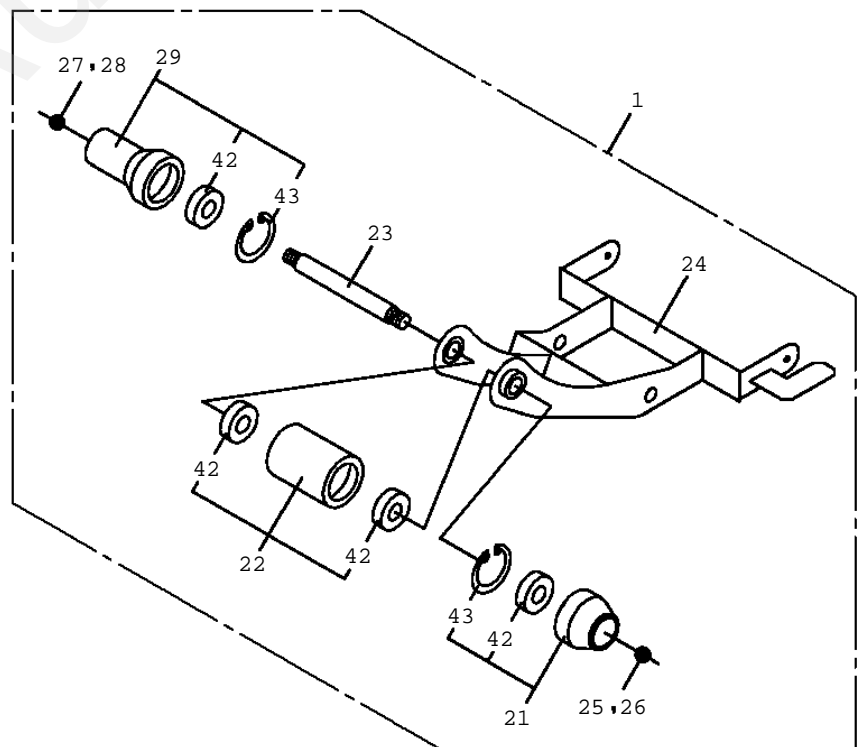
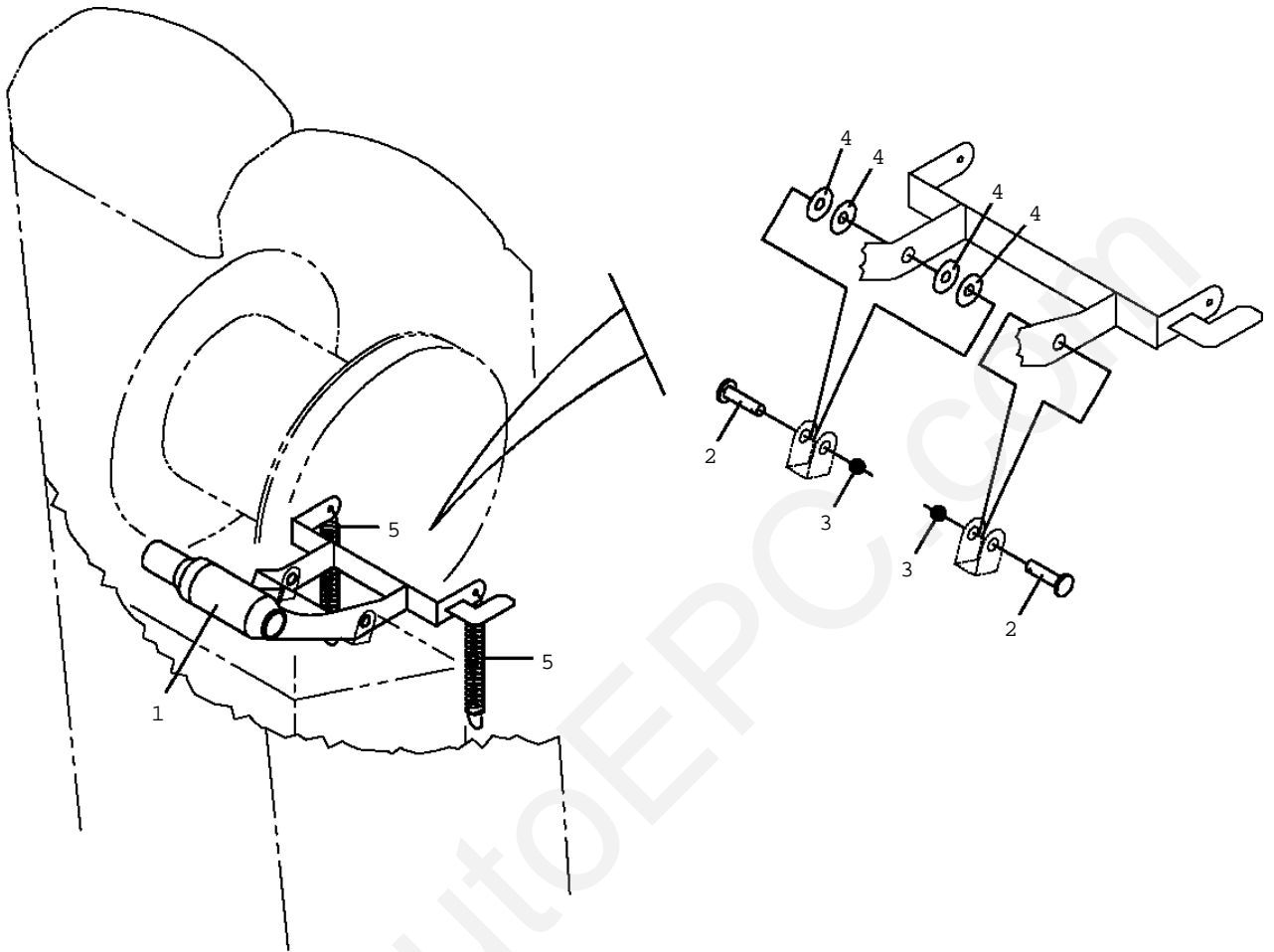


TM-ZE300 41044507044A FRAME/HOOK-IN(AWL)

Pos No.	Parts No	Parts Name	Qty	Unit	Technical Data	Serial No (Start)	Serial No (End)
1	31440740100	ROLLER ASSY	1				
2	37000105740	PIN	2				
3	80136332020	PIN,SPLIT	2		3.2X20		
4	90303071001	WASHER,PLAIN	4		10		
5	37001300000	SPRING	2				
21	37001107470	ROLLER ASSY	2				
22	37001107690	ROLLER ASSY	1				
23	31440220300	PIN	1				
24	31440740150	SUPPORT	1				
25	31440150350	WASHER,PLAIN	2				
26	90286001007	NUT	2		M10 P=1.25		
31	80516006001	BEARING,BALL	4				
32	80602110280	RING,RITAINING	2		R28		

www.AutoEPC.com

TM-ZE300 41044507044A FRAME/HOOK-IN(AWL)
PF1180089-00 DETECTOR,DISORDERLY WIND

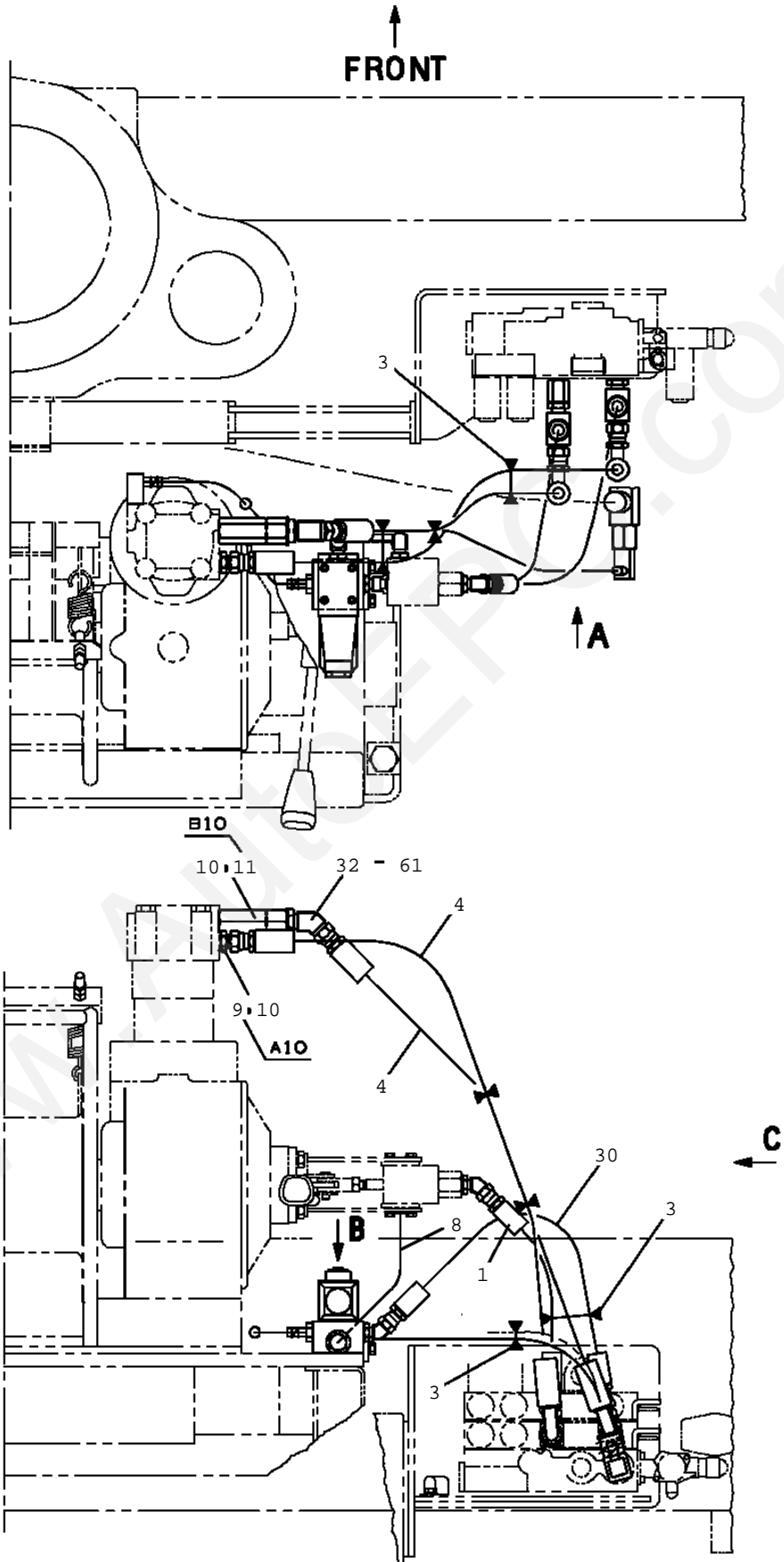


TM-ZE300 41044507044A FRAME/HOOK-IN(AWL)

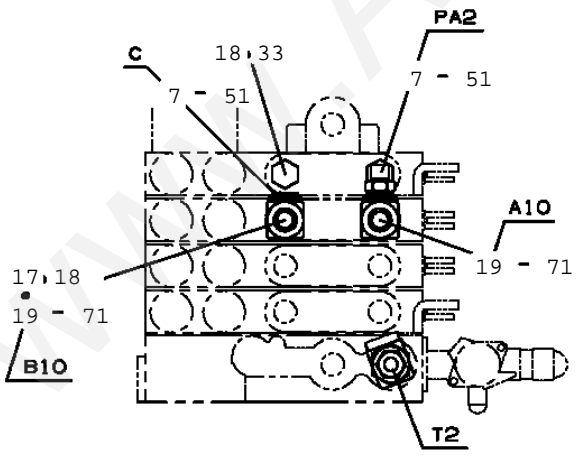
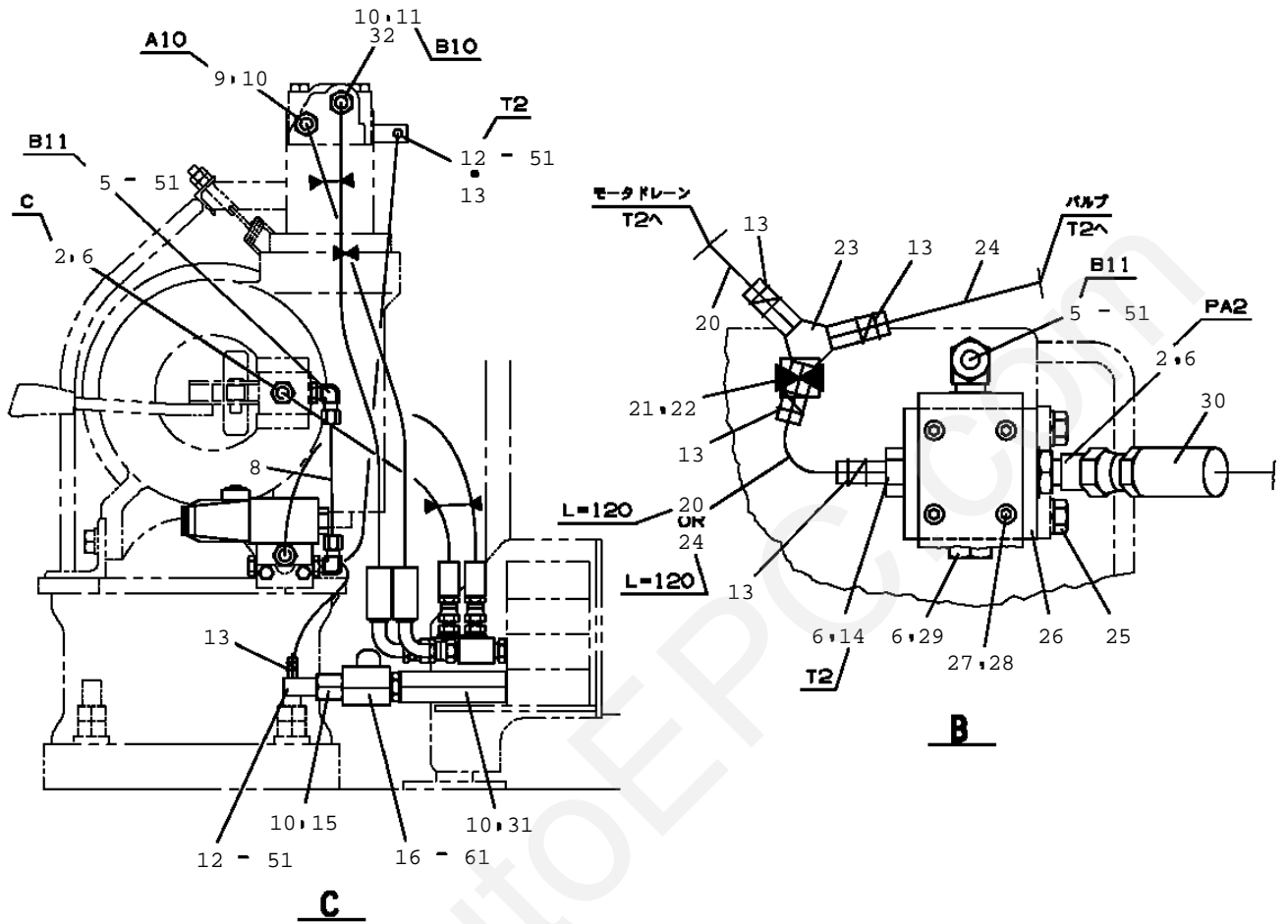
Pos No.	Parts No	Parts Name	Qty	Unit	Technical Data	Serial No (Start)	Serial No (End)
1	31440830100	ROLLER ASSY	1				
2	37000105740	PIN	2				
3	80136332020	PIN, SPLIT	2		3.2X20		
4	90303071001	WASHER, PLAIN	4		10		
5	37001300000	SPRING	2				
21	37001107470	ROLLER ASSY	1				
22	37001112450	ROLLER ASSY	1				
23	31440830300	PIN	1				
24	31440830150	SUPPORT	1				
25	31440150350	WASHER, PLAIN	1				
26	90286001007	NUT	1		M10 P=1.25		
27	90303070801	WASHER, PLAIN	1		8		
28	90267200800	NUT	1		M10		
29	37001112430	ROLLER ASSY	1				
42	80516006001	BEARING, BALL	4				
43	80602110280	RING, RETAINING	2		R28		

www.AutoEPC.com

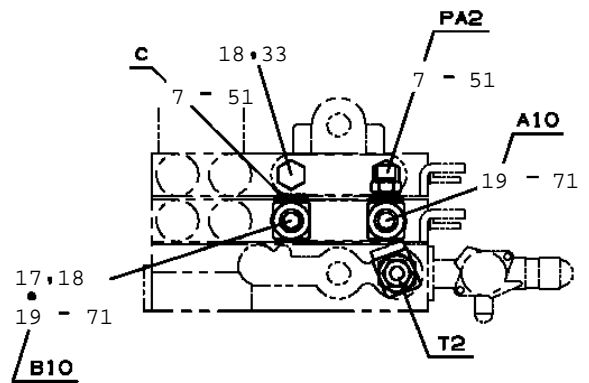
TM-ZE300 41044507044A FRAME/HOOK-IN(AWL)
PF1200436-01 PIPING,WINCH



TM-ZE300 41044507044A FRAME/HOOK-IN(AWL)
 PF1200436-01 PIPING,WINCH



(4連バルブ、リヤアウトリガ、セルフウインチの場合)



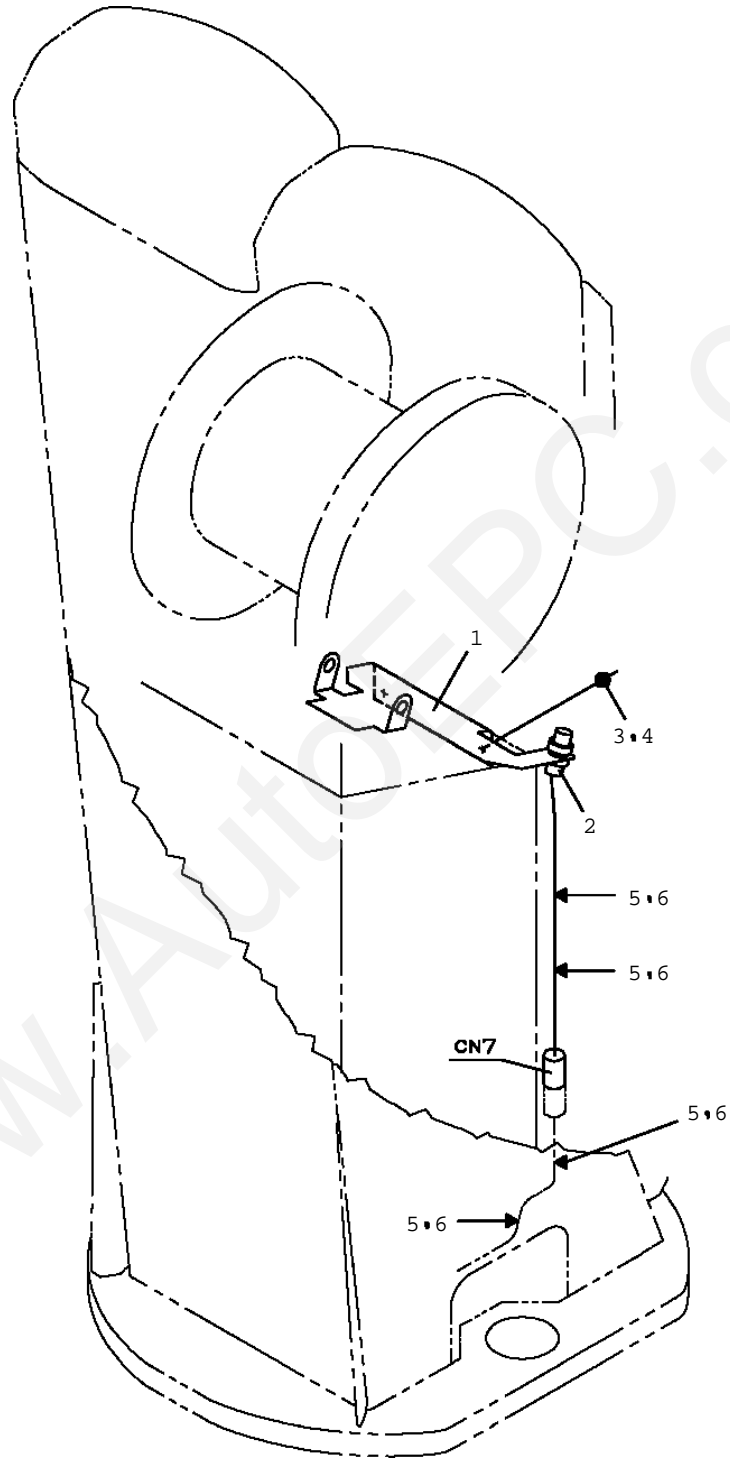
(2連バルブ、セルフウインチの場合)

A

TM-ZE300 41044507044A FRAME/HOOK-IN(AWL)

Pos No.	Parts No	Parts Name	Qty	Unit	Technical Data	Serial No (Start)
1	37002479800	HOSE	1		L=400	
2	80471020502	JOINT	2			
3	91810132530	FASTENER	7			
4	37002443100	HOSE	2		L=1000	
5	80303130081	FITTING, ELBOW	2		KLO08-020E	
6	91002801100	O-RING	4		1B P11	
7	80491002020	JOINT (WITH O-RING)	2			
8	31645690100	PIPE	1			
9	80400160130	JOINT	1		S, G1/2-G3/8	
10	91002801800	O-RING	4		1B P18	
11	36625150000	VALVE, CHECK	1			
12	80400160190	JOINT (WITH O-RING)	2			
13	91803880070	CLIP	6		D=13.1-16.2	
14	31644591300	JOINT	1			
15	37000923950	JOINT	1			
16	80400160205	JOINT (WITH O-RING)	1			
17	37000925680	JOINT	1		S, G3/8-G3/8	
18	91002801400	O-RING	3		1B P14	
19	80400160180	JOINT (WITH O-RING)	2			
20	37002510120	HOSE	1		L=1200	
21	91810130240	FASTENER	1			
22	91850310405	CLAMP (BLACK)	1			
23	37000805050	JOINT	1			
24	37002500780	HOSE	1		L=700	
25	90186208020	BOLT, FLANGE	2		M8X20	
26	31645691000	JOINT	1			
27	36645920000	VALVE, SOLENOID	1			
28	90172105045	BOLT, HEXAGON SOCKET	4		M5X45	
29	80316070040	PLUG	1		PF1/4	
30	37002464540	HOSE	1		L=600	
31	37000925800	JOINT	1		S, G1/2	
32	80481404030	JOINT (WITH O-RING)	1		G1/2-F3/8	
33	80316070060	PLUG	2		PF3/8	
51	91002801100	O-RING	6		1B P11	
61	91002801800	O-RING	2		1B P18	
71	91002801400	O-RING	2		1B P14	

TM-ZE300 41044507044A FRAME/HOOK-IN(AWL)
PF1260034-00 INDICATOR,DRUM

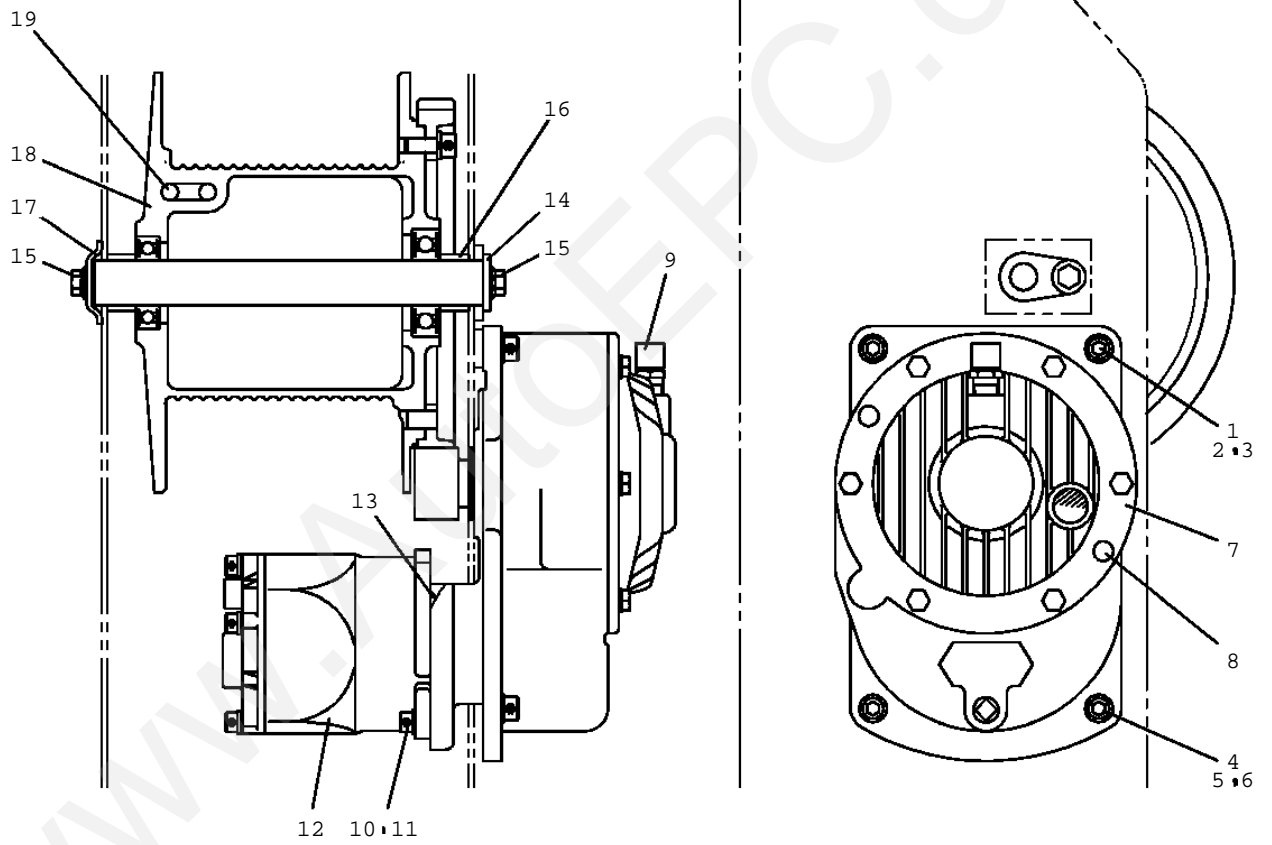


TM-ZE300 41044507044A FRAME/HOOK-IN(AWL)

Pos No.	Parts No	Parts Name	Qty	Unit	Technical Data	Serial No (Start)	Serial
1	31362166100	SUPPORT	1				
2	82108501090	SWITCH	1				
3	90201200600	NUT	2		M6		
4	90101206014	BOLT	2		M6X14		
5	91850310405	CLAMP (BLACK)	4				
6	91810130240	FASTENER	4				

www.AutoEPC.com

TM-ZE300 41044507044A FRAME/HOOK-IN(AWL)
PF1400303-03 MOUNT,WINCH

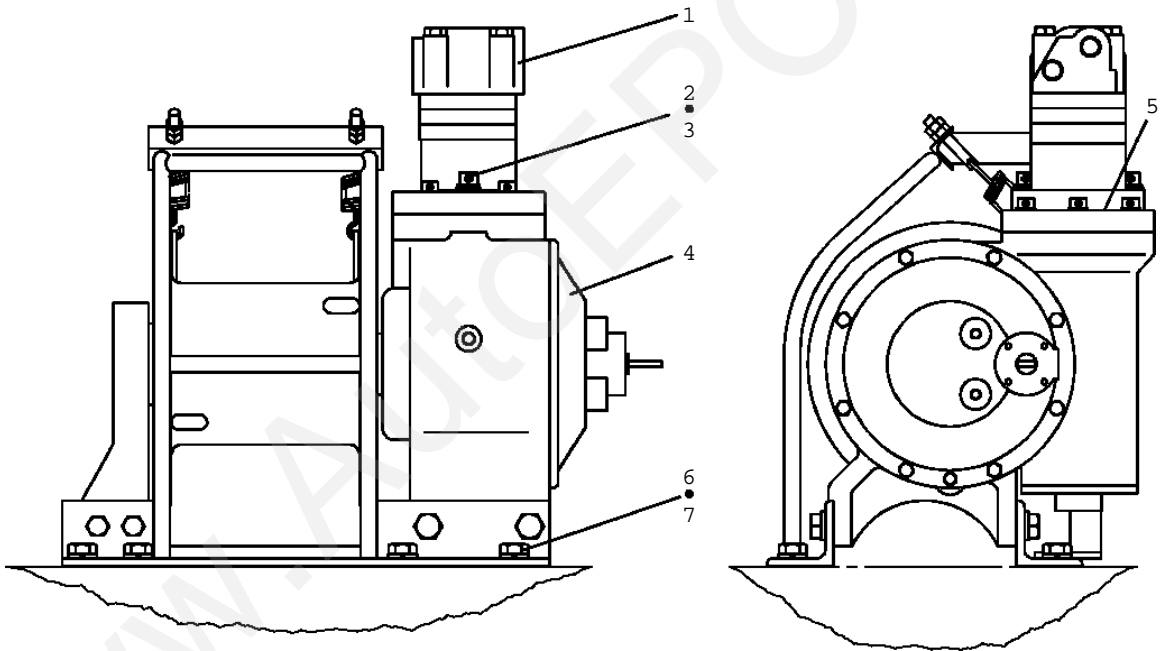


TM-ZE300 41044507044A FRAME/HOOK-IN(AWL)

Pos No.	Parts No	Parts Name	Qty	Unit	Technical Data	Serial No (Star
1	37001500000	BOLT	1			
2	90302041201	WASHER, SPRING	1		12	
3	90303101201	WASHER, PLAIN	1		12	
4	90172110028	BOLT, HEXAGON SOCKET	3		M10X28	
5	90302041001	WASHER, SPRING	3		10	
6	90303071001	WASHER, PLAIN	3		10	
7	36072620000	WINCH (HARTYS)	1			
	36073430000	WINCH (OOKUBO)	1			
	36073810000	WINCH ASSY (Y.G.TEC)	1			
8	82401800080	PLUG (FOR M8)	2			
9	31310610500	BREATHER, AIR	1			
10	90172108025	BOLT, HEXAGON SOCKET	2		M8X25	
11	90302040801	WASHER, SPRING	2		8	
12	36663100000	MOTOR, HYDRAULIC (WINCH)	1			
13	91001206000	O-RING	1		1A G60	
14	37000134390	PIN	1			
15	90186210014	BOLT, FLANGE	2		M10X14	
16	37000300350	SPACER	2		L=18.5	
17	31310391000	COVER	1			
18	31310610300	DRUM, WINCH	1			
	31310610100	DRUM, WINCH	1			
19	37002600190	WEDGE	1		8	

www.AutoEPC.com

TM-ZE300 41044507044A FRAME/HOOK-IN(AWL)
PF1400322-00 MOUNT,WINCH (3T SELF)



TM-ZE300 41044507044A FRAME/HOOK-IN(AWL)

Pos No.	Parts No	Parts Name	Qty	Unit	Technical Data	Serial No (Start)
1	36662290000	MOTOR, HYDRAULIC	1			
2	90302041201	WASHER, SPRING	2		12	
3	90172112035	BOLT, HEXAGON SOCKET	2		M12X35	
4	36072810000	WINCH (HARTYS)	1			
	36073290000	WINCH (YG.TEC)	1			
5	91000515200	O-RING	1		AS568-152	
6	90171116040	BOLT	8		M16X40	
7	90302041601	WASHER, SPRING	8		16	

www.AutoEPC.com

TM-ZE300 41044507044A FRAME/HOOK-IN(AWL)
PG1020005-00 GUIDE,ROPE (RETAINING WIRE ROPE)

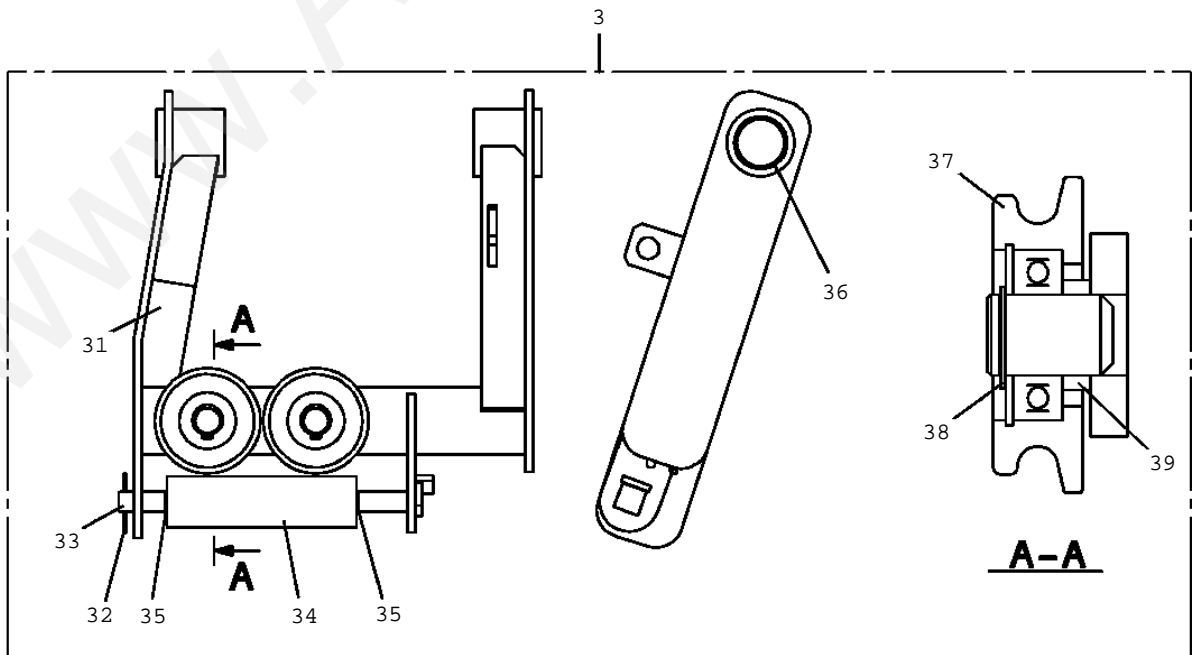
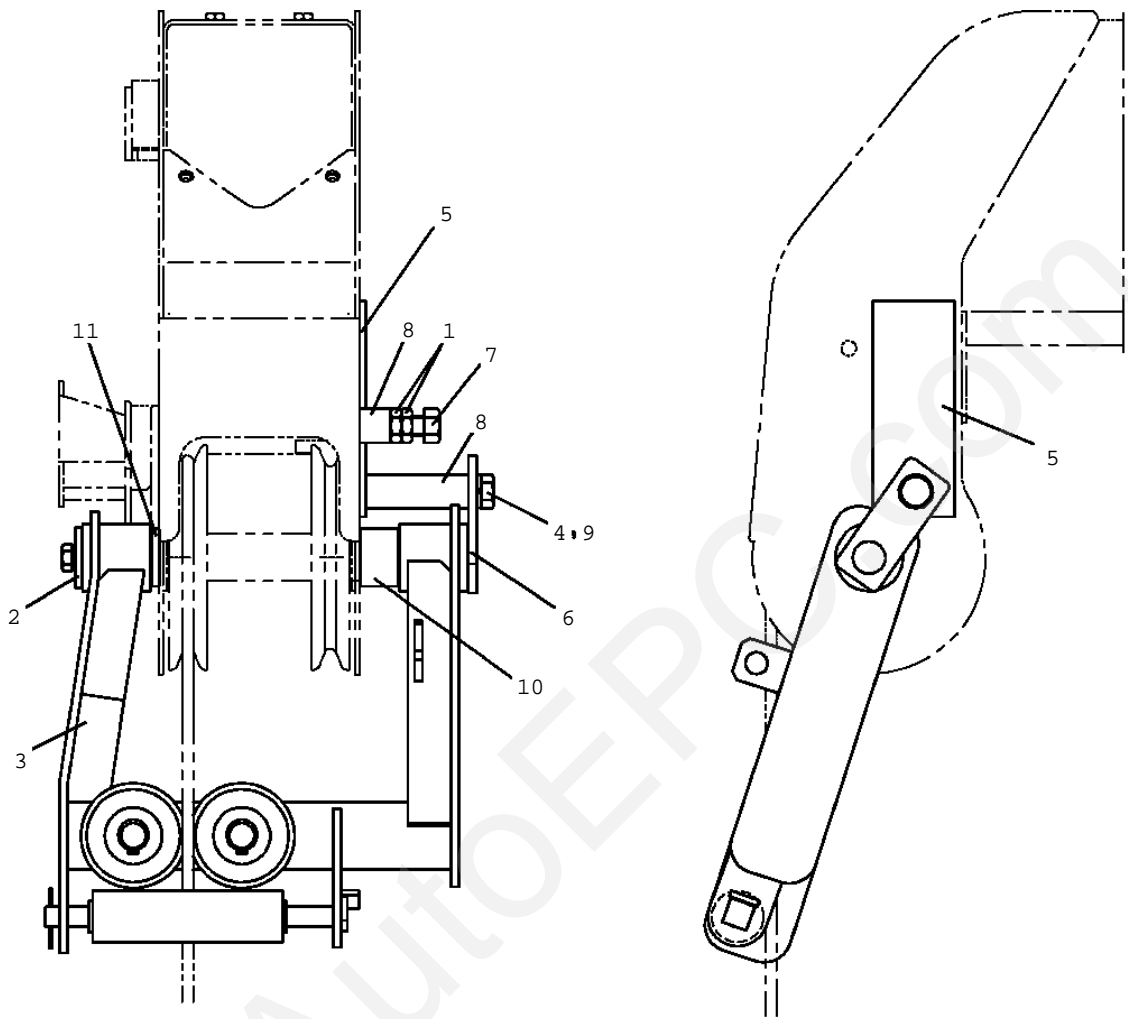
指示番号 KEY NO.	ガイド , ロープ (タツサクホウシ) GUIDE,ROPE (RETAINING WIRE ROPE)
1	ガイド ASSY GUIDE ASSY
2	フック HOOK
3	ディテクタ , オーバワインド DETECTOR,OVERWIND
4	プレートASSY , ネーム PLATE ASSY,NAME

TM-ZE300 41044507044A FRAME/HOOK-IN(AWL)

Pos No.	Parts No	Parts Name	Qty	Unit	Technical Data	Serial
1	(*****)	GUIDE, ROPE	1			
2	(*****)	HOOK (0.49T)	1			
3	(*****)	DETECTOR, OVERWIND	1			
4	(*****)	PLATE ASSY, NAME (WINCH CONTROL)	1			

www.AutoEPC.com

TM-ZE300 41044507044A FRAME/HOOK-IN(AWL)
 PG1020006-00 GUIDE, ROPE

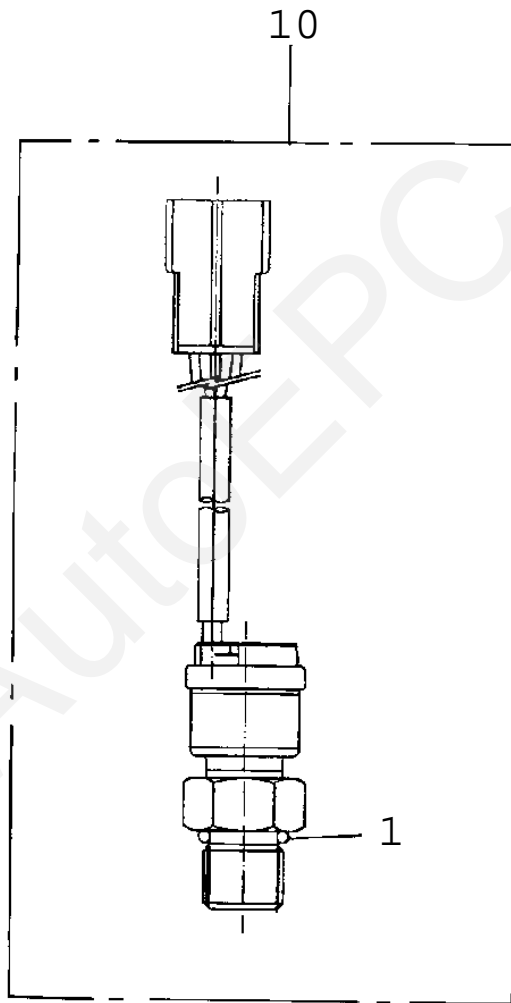


TM-ZE300 41044507044A FRAME/HOOK-IN(AWL)

Pos No.	Parts No	Parts Name	Qty	Unit	Technical Data	Serial No (Start)	Serial No (End)
1	90203201400	NUT	2		M14		
2	37000574030	PLATE	1				
3	31477171100	GUIDE ASSY	1				
4	90101214020	BOLT	1		M14X20		
5	37000532240	PLATE	1				
6	31471731600	PIN	1				
7	90101214035	BOLT	1		M14X35		
8	31477171500	SUPPORT	2				
9	90302041401	WASHER, SPRING	1		14		
10	37000303800	SPACER	1		L=48		
11	37000304020	SPACER	1		L=6		
31	31477171200	GUIDE	1				
32	80620210160	PIN, SNAP	1				
33	31471731200	PIN	1				
34	37001102960	ROLLER ASSY	1				
35	80601110150	RING, RITAINING	2		15		
36	80804035050	BUSH	2				
37	31471731500	SHEAVE ASSY	2				
38	80601110200	RING, RITAINING	2		S20		
39	37000300240	SPACER	2		L=7		

www.AutoEPC.com

TM-ZE300 41044507044A FRAME/HOOK-IN(AWL)
PH1010008-00 DETECTOR,LOAD

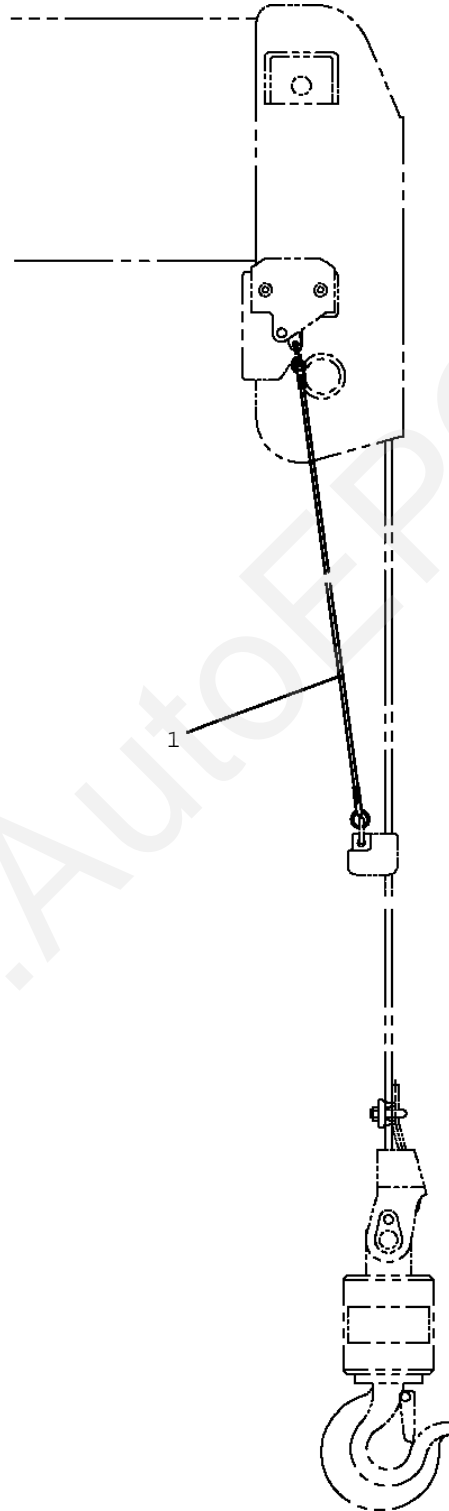


TM-ZE300 41044507044A FRAME/HOOK-IN(AWL)

Pos No.	Parts No	Parts Name	Qty	Unit	Technical Data	Serial No (Start)	Serial
1	91002801400	O-RING	1		1B P14		
10	36150070000	DETECTOR, LOAD	1				

www.AutoEPC.com

TM-ZE300 41044507044A FRAME/HOOK-IN(AWL)
PH1060338-00 DETECTOR,OVER WINDING



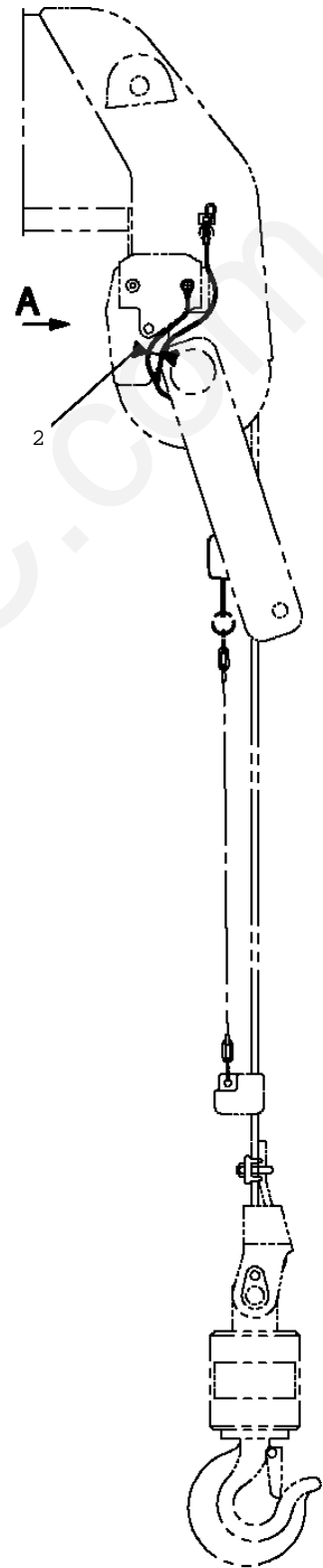
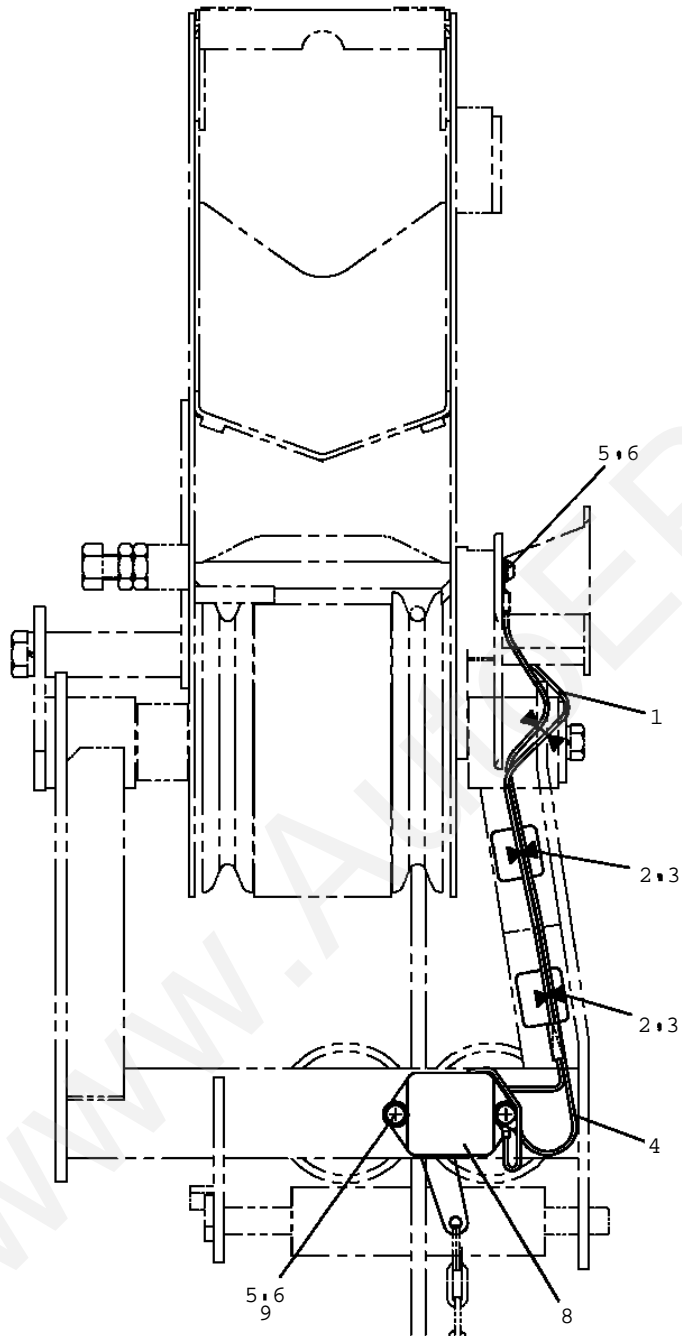
www.AutoPartC.com

TM-ZE300 41044507044A FRAME/HOOK-IN(AWL)

Pos No.	Parts No	Parts Name	Qty	Unit	Technical Data	Serial No (Start)	Serial No
1	31477172600	ROPE ASSY	1		L=1480		

www.AutoEPC.com

TM-ZE300 41044507044A FRAME/HOOK-IN(AWL)
PH1060491-00 DETECTOR,OVERWIND



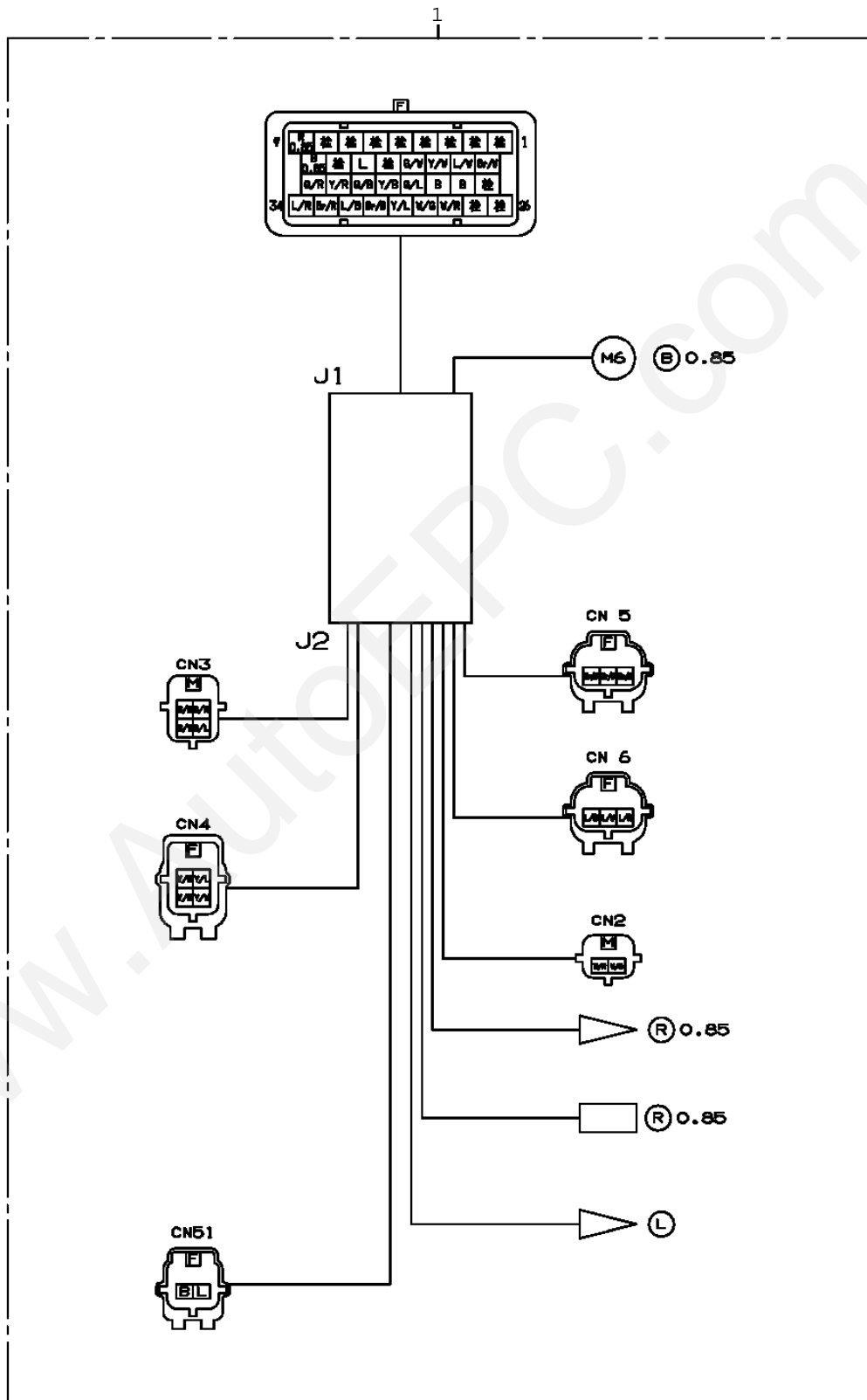
A

TM-ZE300 41044507044A FRAME/HOOK-IN(AWL)

Pos No.	Parts No	Parts Name	Qty	Unit	Technical Data	Serial No (Start)	Serial
1	31477172500	HARNES	1		L=440		
2	91810130240	FASTENER	3				
3	91850310405	CLAMP (BLACK)	2				
4	31477172400	HARNES	1		L=440		
5	80182306014	SCREW, MACHINE	3		M6X14		
6	90302040601	WASHER, SPRING	3		6		
8	31373350000	SWITCH ASSY	1				
9	90303070601	WASHER, PLAIN	2		6		

www.AutoEPC.com

TM-ZE300 41044507044A FRAME/HOOK-IN(AWL)
 PH5030529-00 HARNESS

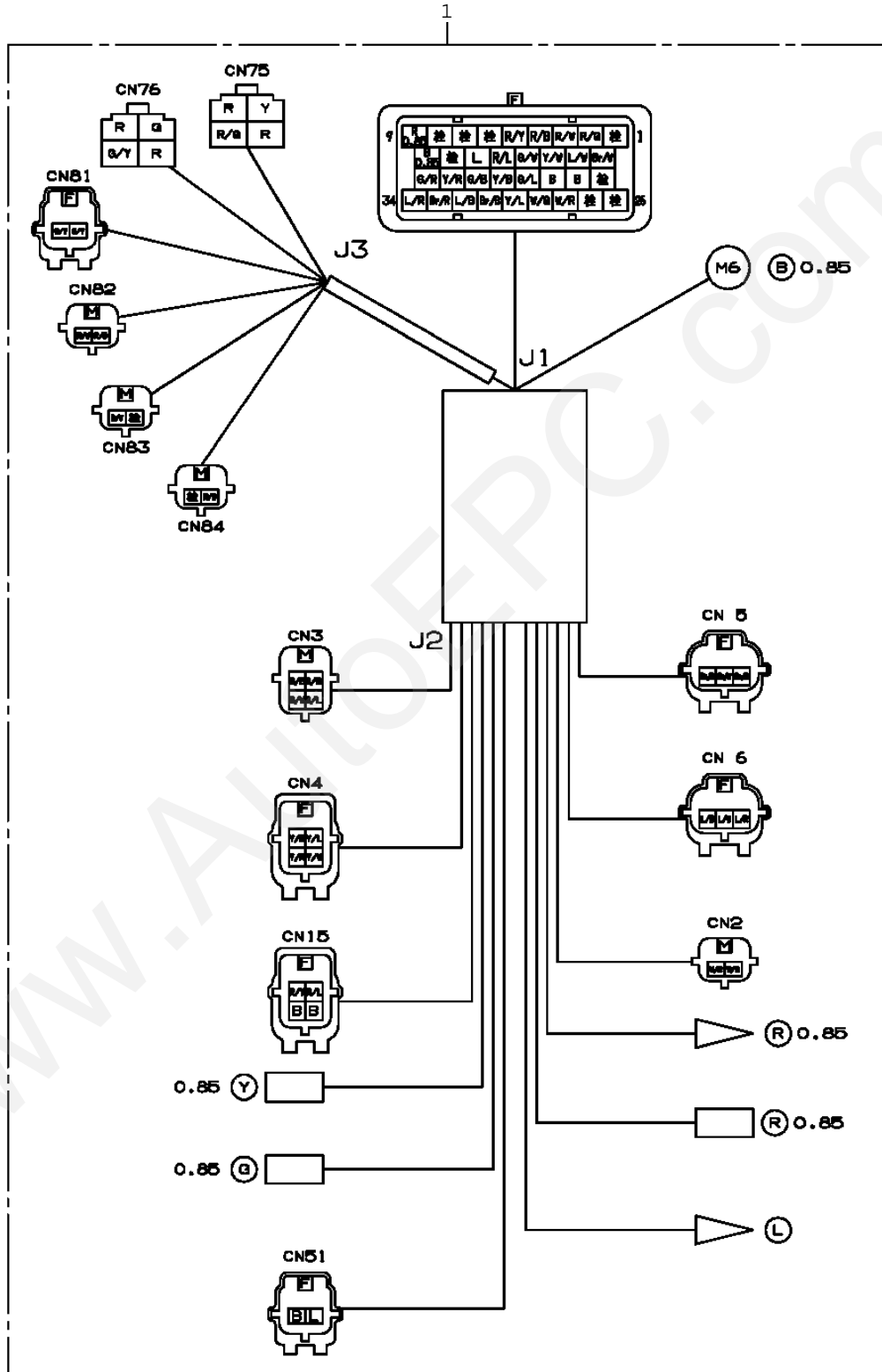


TM-ZE300 41044507044A FRAME/HOOK-IN(AWL)

Pos No.	Parts No	Parts Name	Qty	Unit	Technical Data	Serial No (Start)	Serial No
1	31361943101	HARNESS	1				

www.AutoEPC.com

TM-ZE300 41044507044A FRAME/HOOK-IN(AWL)
PH5030652-00 HARNESS

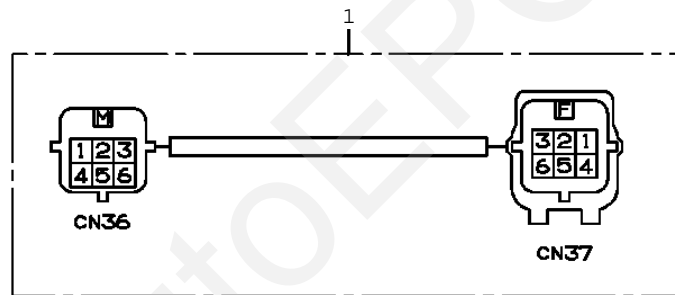


TM-ZE300 41044507044A FRAME/HOOK-IN(AWL)

Pos No.	Parts No	Parts Name	Qty	Unit	Technical Data	Serial No (Start)	Serial No
1	31501402102	HARNESS	1				

www.AutoEPC.com

TM-ZE300 41044507044A FRAME/HOOK-IN(AWL)
PH5030655-00 HARNESS

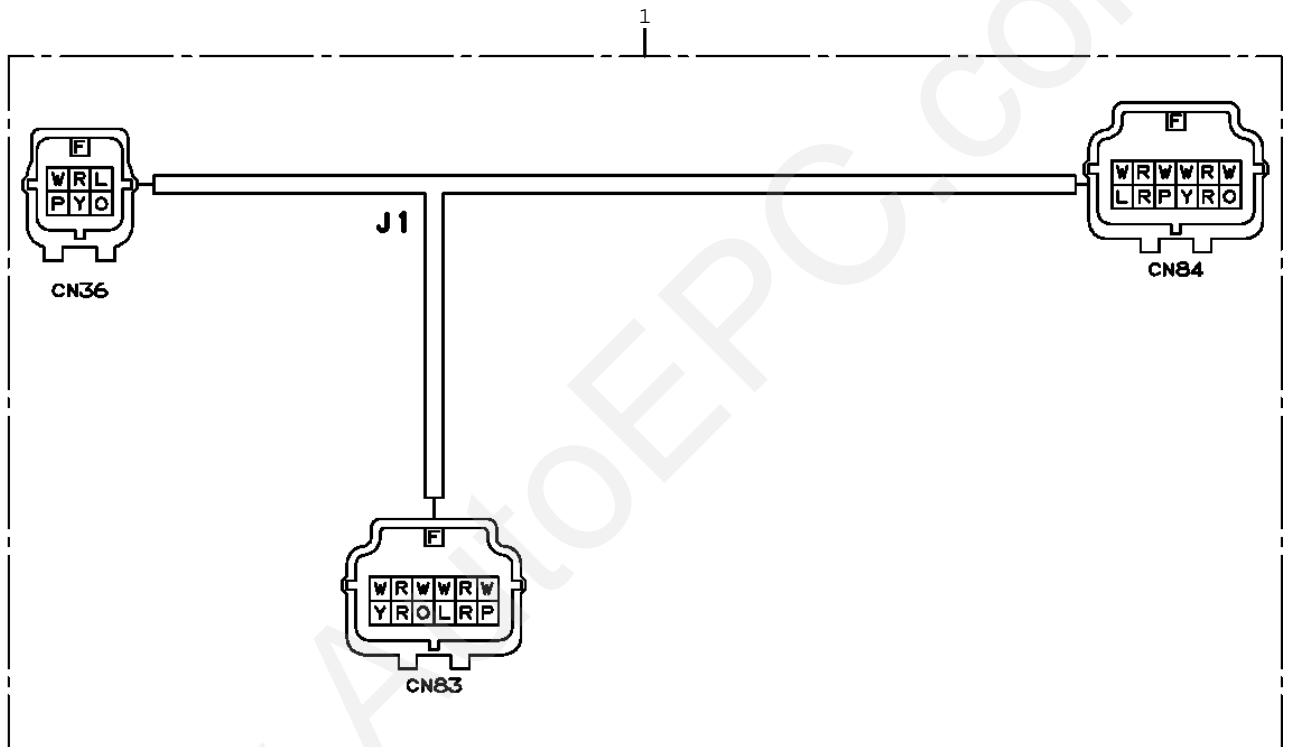


TM-ZE300 41044507044A FRAME/HOOK-IN(AWL)

Pos No.	Parts No	Parts Name	Qty	Unit	Technical Data	Serial No (Start)	Serial No
1	31653500300	HARNESS	1		L=5300		

www.AutoEPC.com

TM-ZE300 41044507044A FRAME/HOOK-IN(AWL)
PH5030657-00 HARNESS

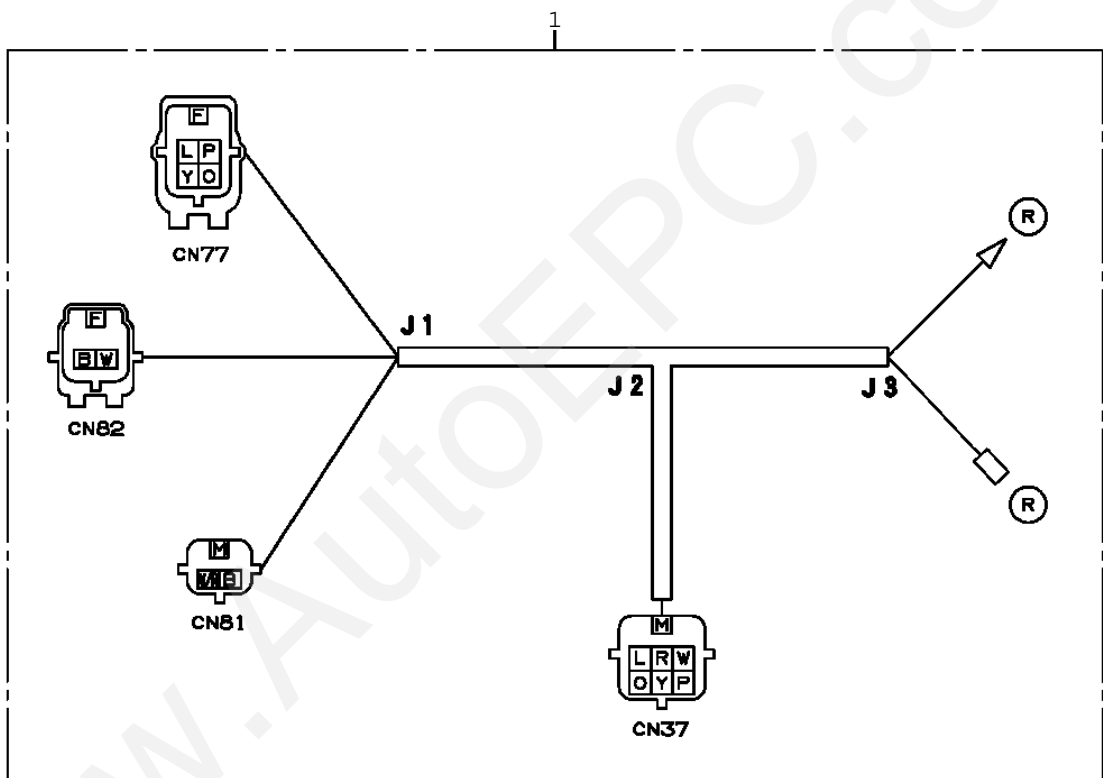


TM-ZE300 41044507044A FRAME/HOOK-IN(AWL)

Pos No.	Parts No	Parts Name	Qty	Unit	Technical Data	Serial No (Start)	Serial No
1	31656370100	HARNESS	1				

www.AutoEPC.com

TM-ZE300 41044507044A FRAME/HOOK-IN(AWL)
PH5030658-00 HARNESS

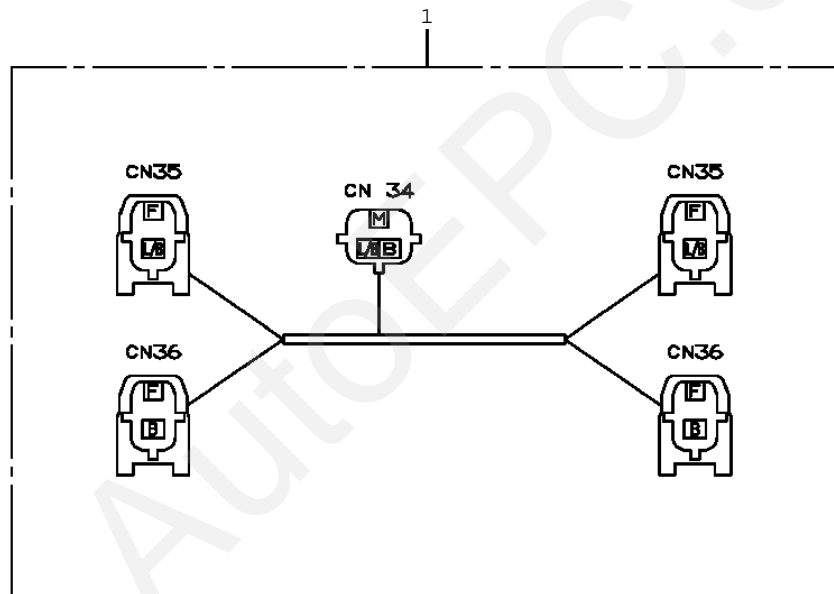


TM-ZE300 41044507044A FRAME/HOOK-IN(AWL)

Pos No.	Parts No	Parts Name	Qty	Unit	Technical Data	Serial No (Start)	Serial No
1	31656370200	HARNESS	1				

www.AutoEPC.com

TM-ZE300 41044507044A FRAME/HOOK-IN(AWL)
PH5030666-00 HARNESS

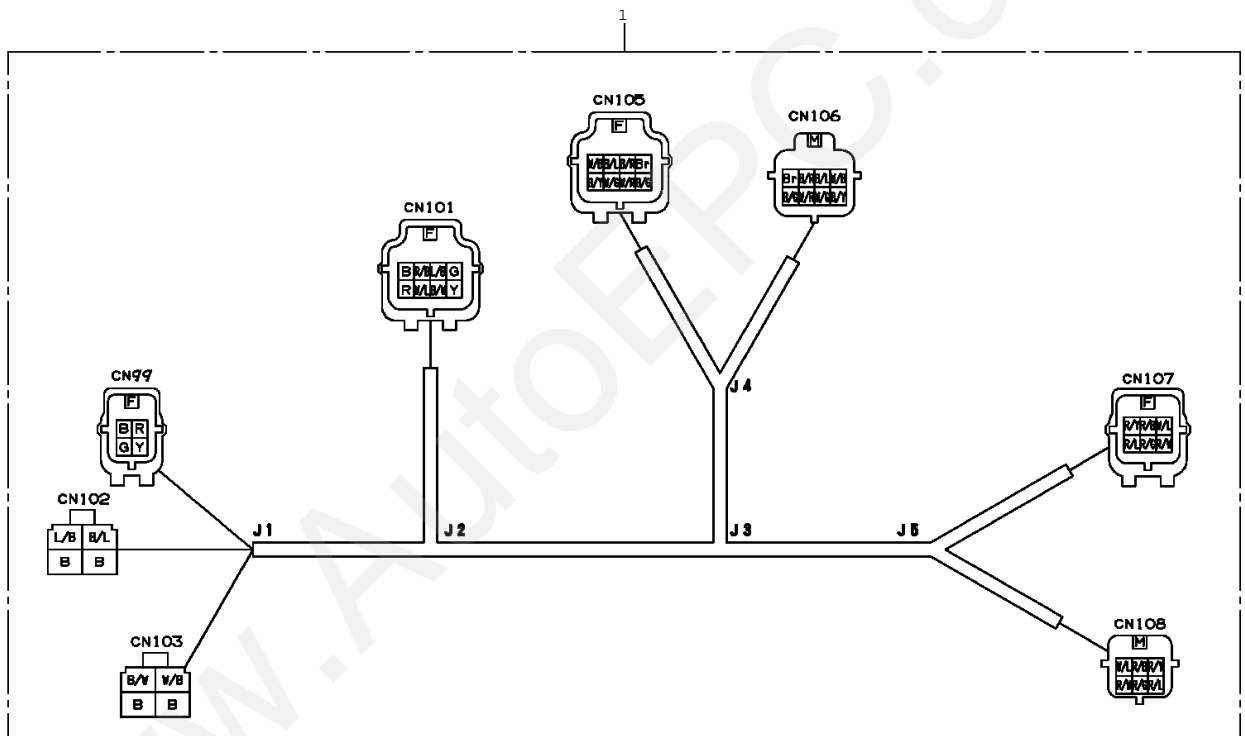


TM-ZE300 41044507044A FRAME/HOOK-IN(AWL)

Pos No.	Parts No	Parts Name	Qty	Unit	Technical Data	Serial No (Start)	Serial No
1	31730946200	HARNESS	1				

www.AutoEPC.com

TM-ZE300 41044507044A FRAME/HOOK-IN(AWL)
PH5030675-00 HARNESS

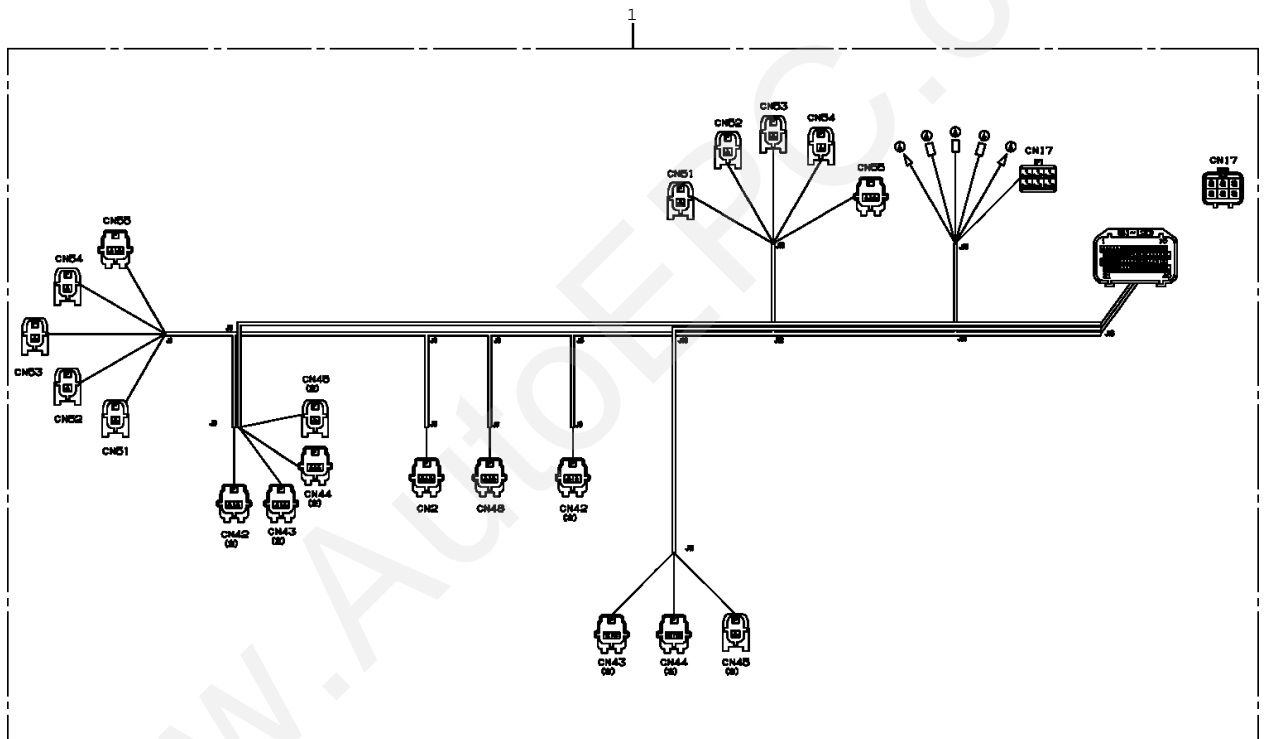


TM-ZE300 41044507044A FRAME/HOOK-IN(AWL)

Pos No.	Parts No	Parts Name	Qty	Unit	Technical Data	Serial No (Start)	Serial No
1	31656350100	HARNESS	1				

www.AutoEPC.com

TM-ZE300 41044507044A FRAME/HOOK-IN(AWL)
PH5030787-00 HARNESS

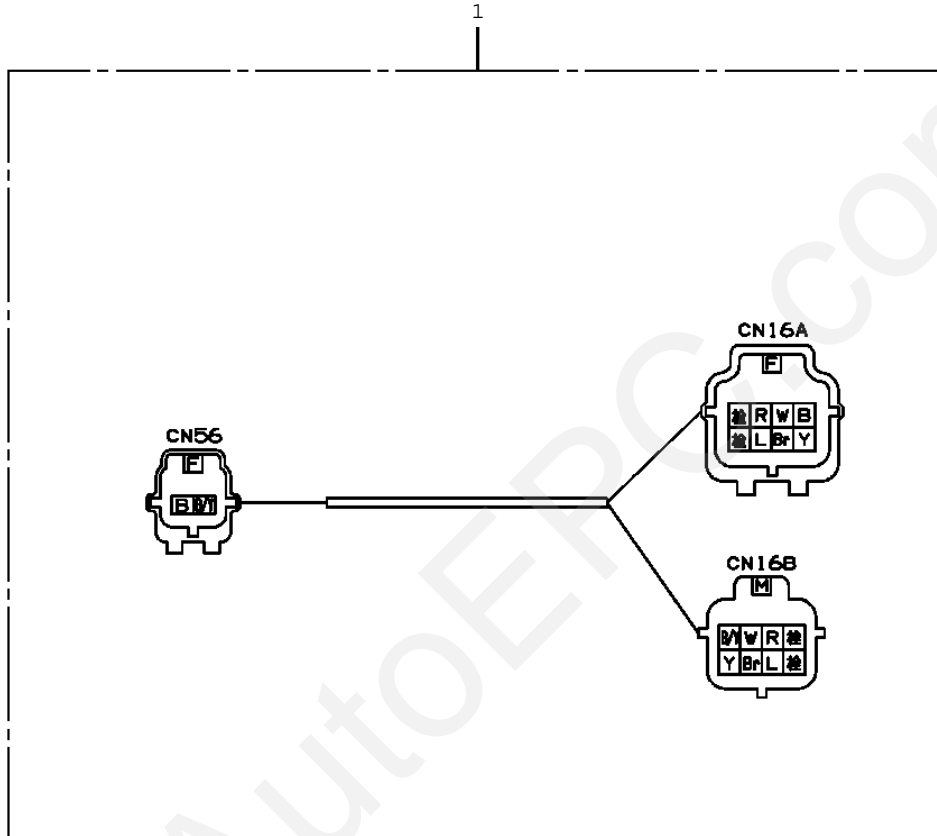


TM-ZE300 41044507044A FRAME/HOOK-IN(AWL)

Pos No.	Parts No	Parts Name	Qty	Unit	Technical Data	Serial No (Start)	Serial No
1	31361941101	HARNESS	1				

www.AutoEPC.com

TM-ZE300 41044507044A FRAME/HOOK-IN(AWL)
PH5030789-00 HARNESS

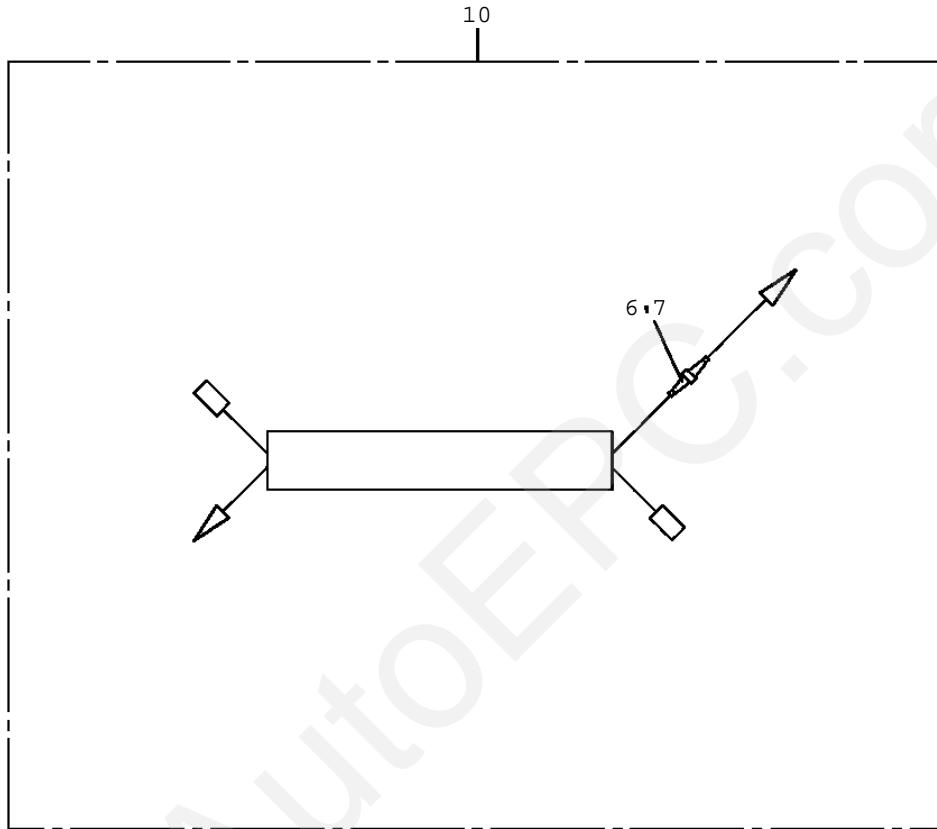


TM-ZE300 41044507044A FRAME/HOOK-IN(AWL)

Pos No.	Parts No	Parts Name	Qty	Unit	Technical Data	Serial No (Start)	Serial No
1	31460211100	HARNESS	1				

www.AutoEPC.com

TM-ZE300 41044507044A FRAME/HOOK-IN(AWL)
PH5030790-00 HARNESS

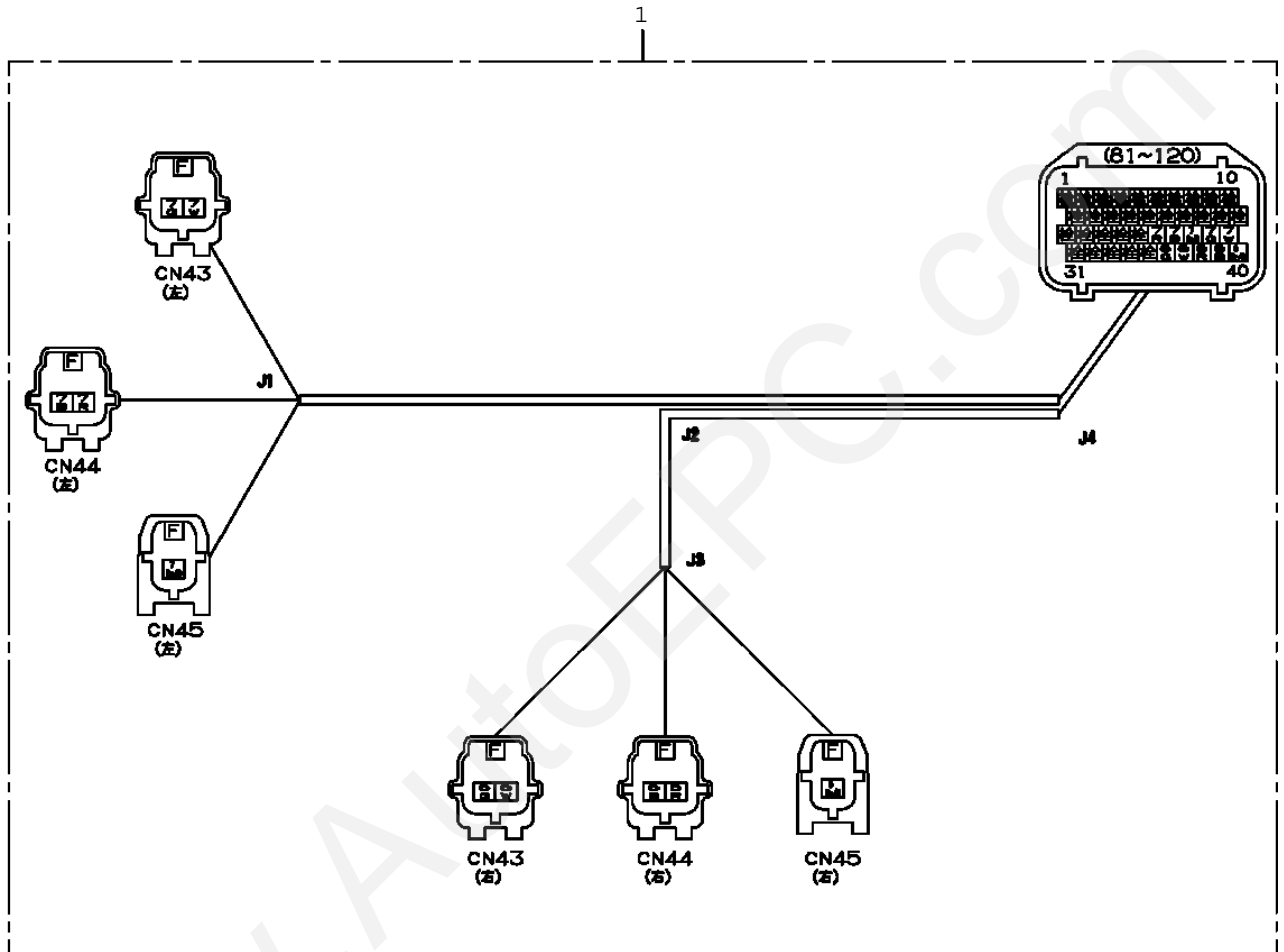


TM-ZE300 41044507044A FRAME/HOOK-IN(AWL)

Pos No.	Parts No	Parts Name	Qty	Unit	Technical Data	Serial No (Start)	Serial N
6	82100002832	HOLDER,FUSE	1				
7	82100000791	FUSE	1		5A,6.5X30		
10	31501191100	HARNESS	1				

www.AutoEPC.com

TM-ZE300 41044507044A FRAME/HOOK-IN(AWL)
PH5030791-00 HARNESS

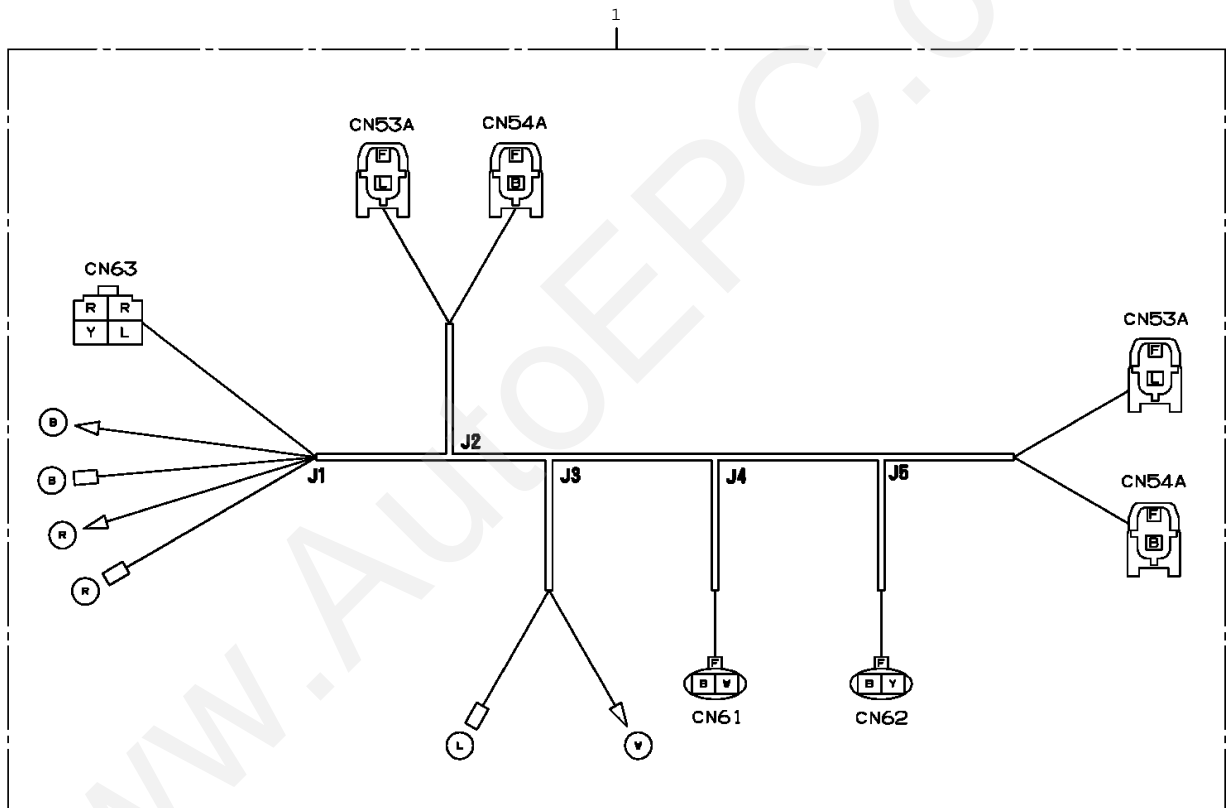


TM-ZE300 41044507044A FRAME/HOOK-IN(AWL)

Pos No.	Parts No	Parts Name	Qty	Unit	Technical Data	Serial No (Start)	Serial No
1	31501341100	HARNESS	1				

www.AutoEPC.com

TM-ZE300 41044507044A FRAME/HOOK-IN(AWL)
PH5030792-00 HARNESS

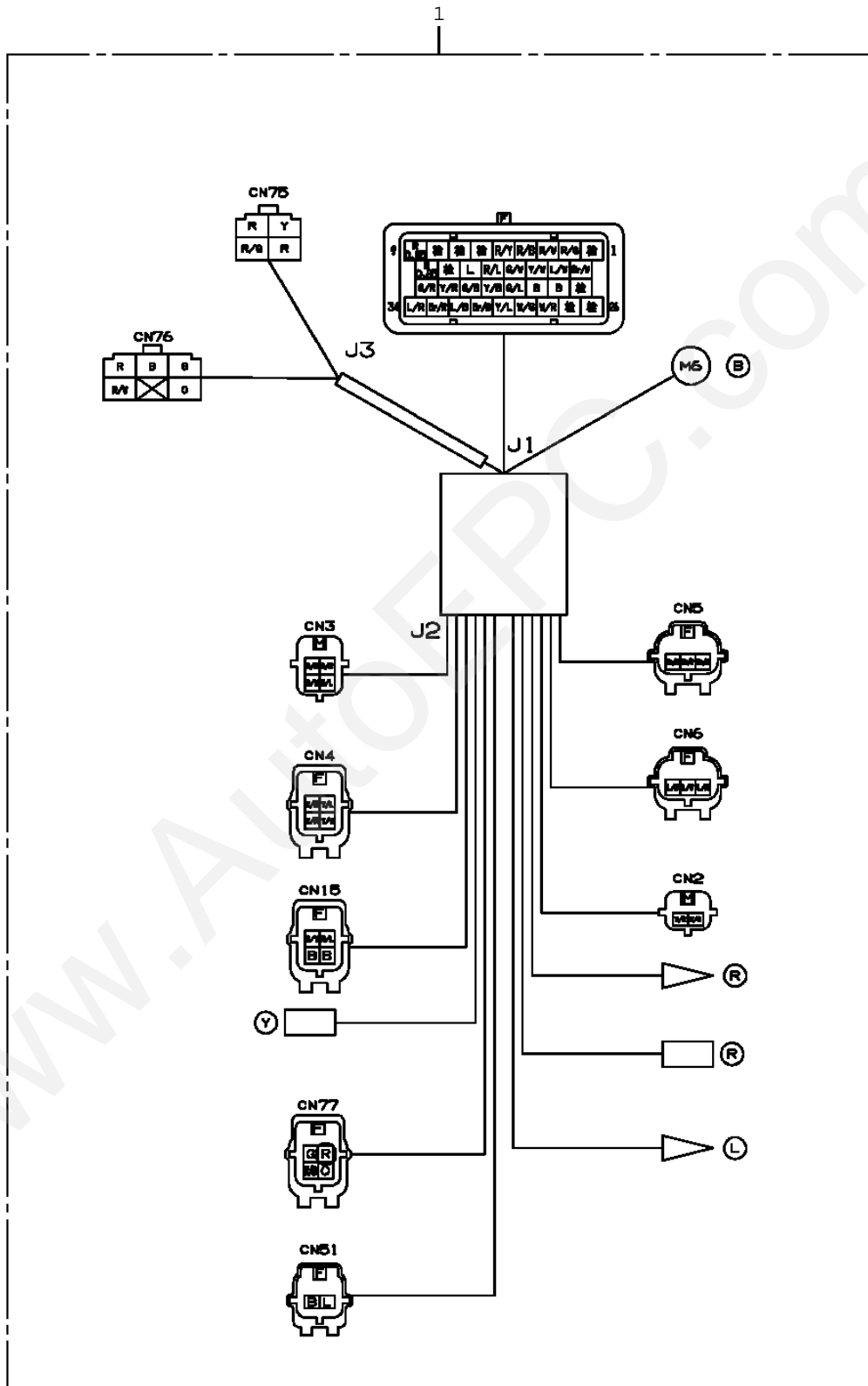


TM-ZE300 41044507044A FRAME/HOOK-IN(AWL)

Pos No.	Parts No	Parts Name	Qty	Unit	Technical Data	Serial No (Start)	Serial No
1	31501912100	HARNESS	1				

www.AutoEPC.com

TM-ZE300 41044507044A FRAME/HOOK-IN(AWL)
 PH5030793-00 HARNESS

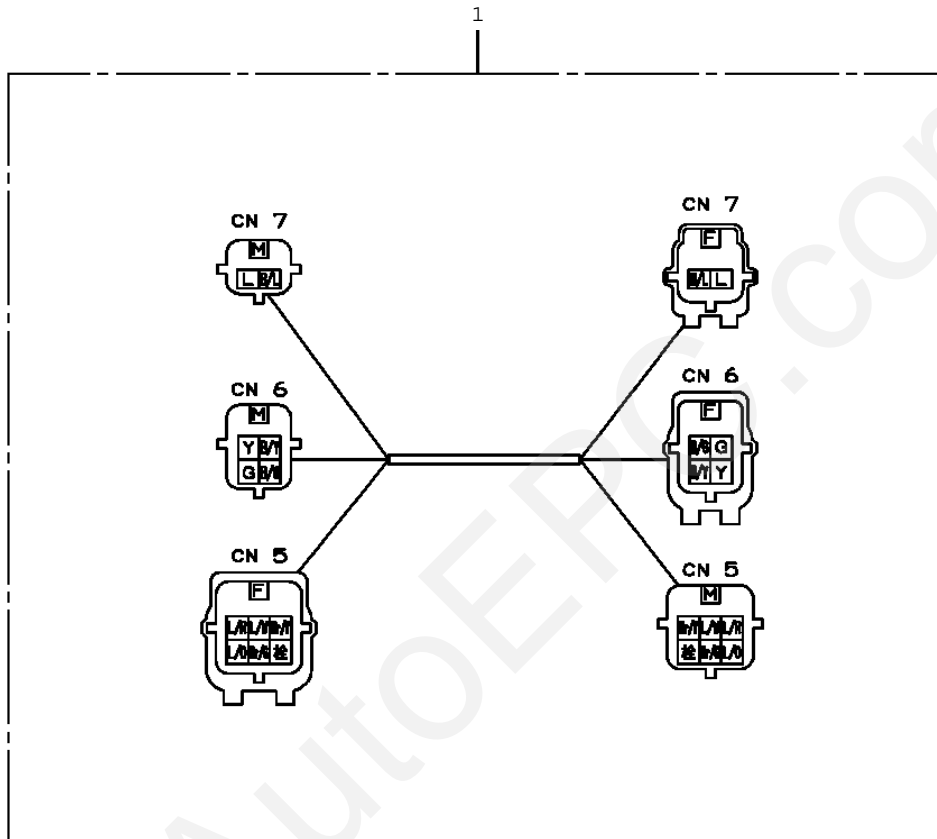


TM-ZE300 41044507044A FRAME/HOOK-IN(AWL)

Pos No.	Parts No	Parts Name	Qty	Unit	Technical Data	Serial No (Start)	Serial No
1	31502532100	HARNESS	1				

www.AutoEPC.com

TM-ZE300 41044507044A FRAME/HOOK-IN(AWL)
PH5030797-00 HARNESS

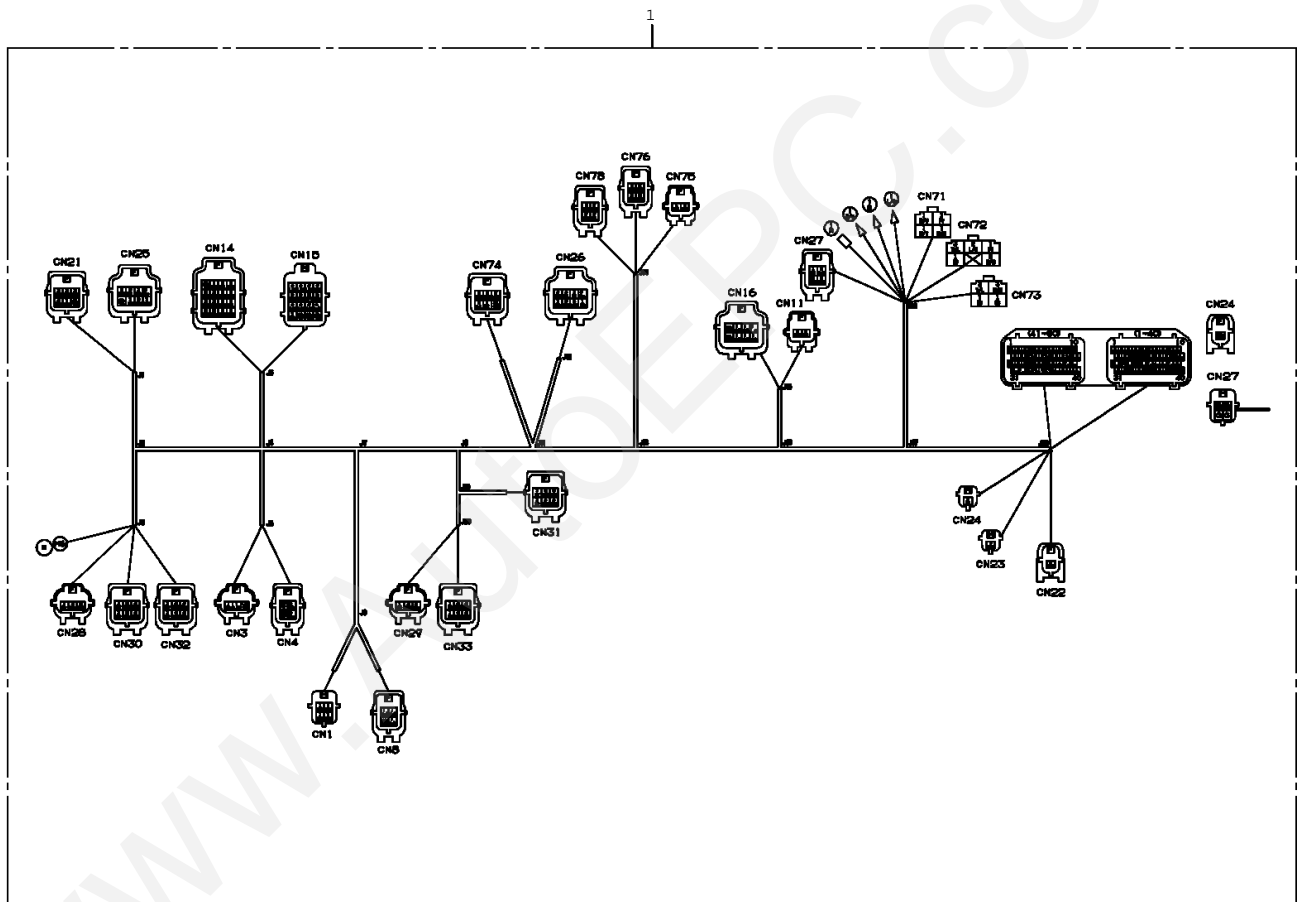


TM-ZE300 41044507044A FRAME/HOOK-IN(AWL)

Pos No.	Parts No	Parts Name	Qty	Unit	Technical Data	Serial No (Start)	Serial No
1	31730943100	HARNESS	1				

www.AutoEPC.com

TM-ZE300 41044507044A FRAME/HOOK-IN(AWL)
PH5030816-00 HARNESS

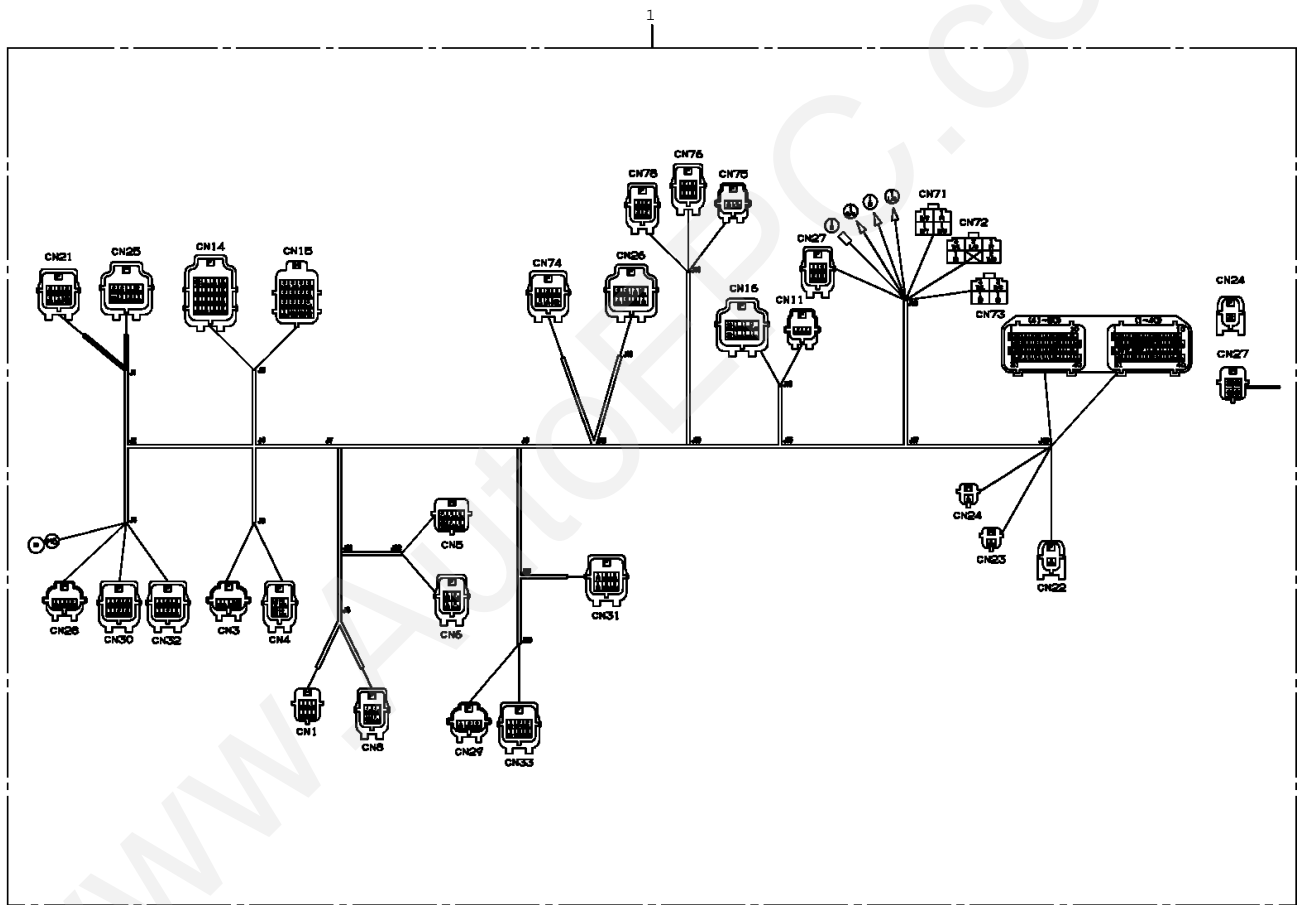


TM-ZE300 41044507044A FRAME/HOOK-IN(AWL)

Pos No.	Parts No	Parts Name	Qty	Unit	Technical Data	Serial No (Start)	Serial No
1	31656020100	HARNESS	1				

www.AutoEPC.com

TM-ZE300 41044507044A FRAME/HOOK-IN(AWL)
PH5030817-00 HARNESS

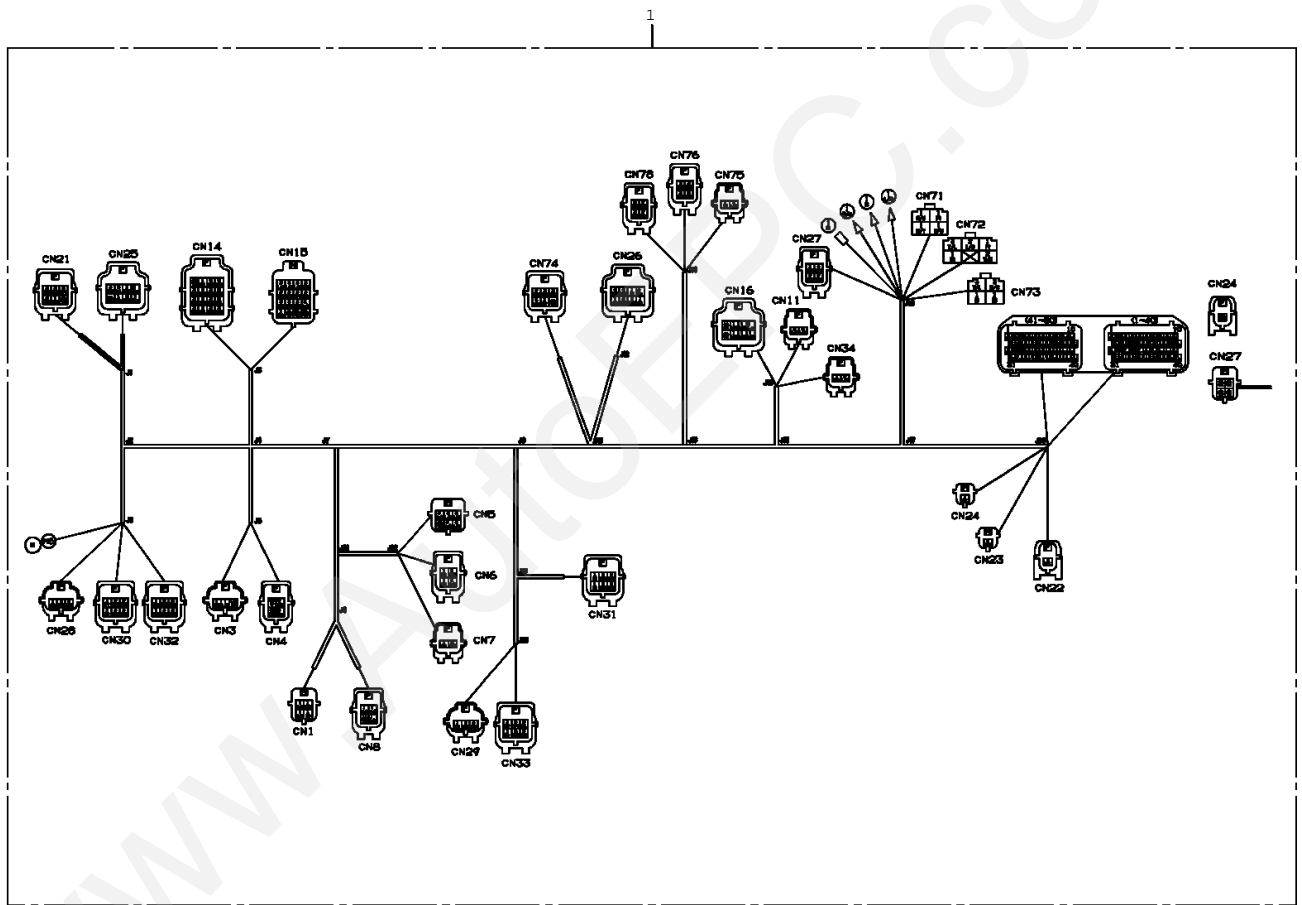


TM-ZE300 41044507044A FRAME/HOOK-IN(AWL)

Pos No.	Parts No	Parts Name	Qty	Unit	Technical Data	Serial No (Start)	Serial No
1	31656430100	HARNESS	1				

www.AutoEPC.com

TM-ZE300 41044507044A FRAME/HOOK-IN(AWL)
PH5030818-00 HARNESS



TM-ZE300 41044507044A FRAME/HOOK-IN(AWL)

Pos No.	Parts No	Parts Name	Qty	Unit	Technical Data	Serial No (Start)	Serial No
1	31730956100	HARNESS	1				

www.AutoEPC.com

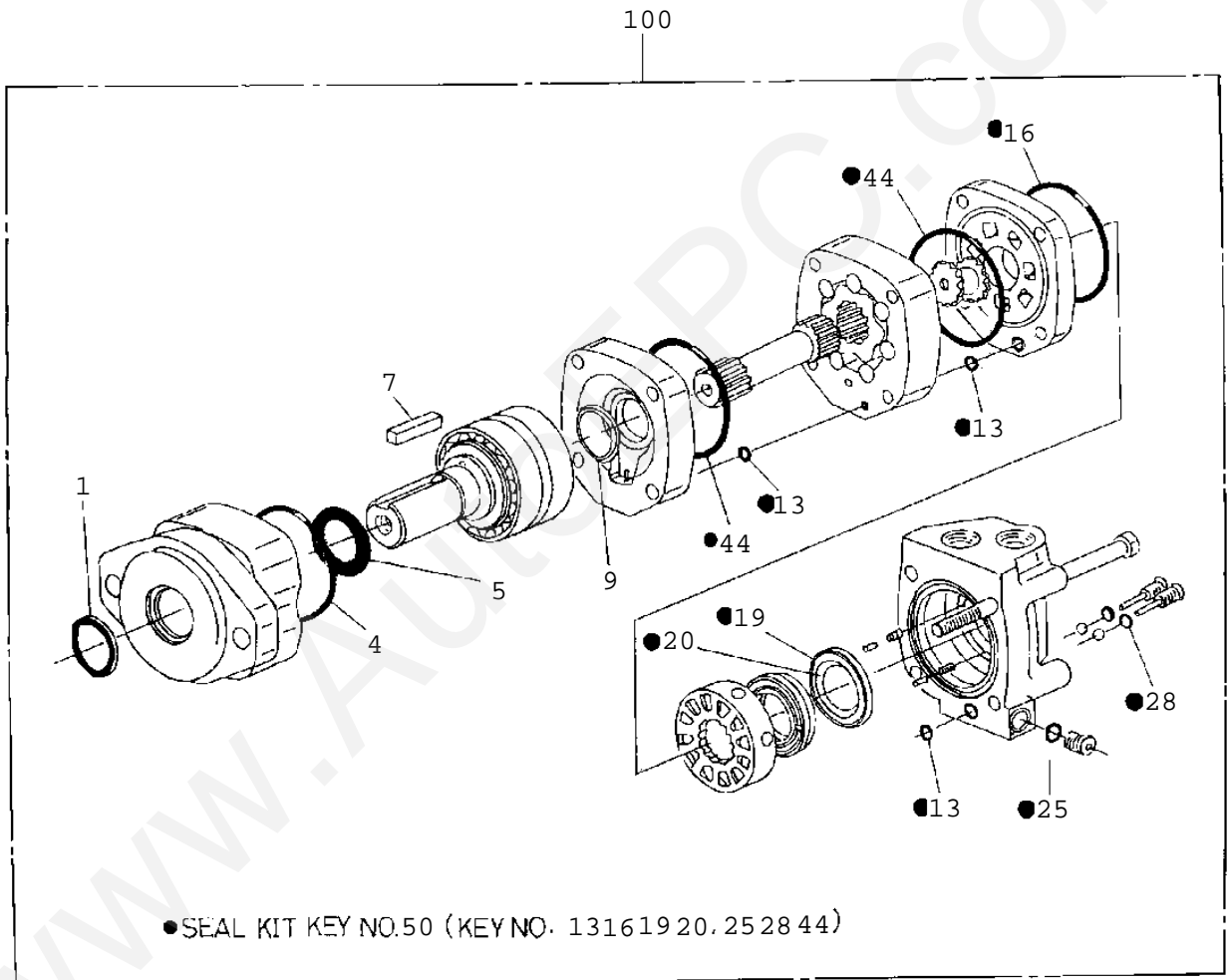
TM-ZE300 41044507044A FRAME/HOOK-IN(AWL)

Pos No.	Parts No	Parts Name	Qty	Unit	Technical Data	Serial No (Start)	Serial No
1	31362163101	HARNESS	1				

www.AutoEPC.com

TM-ZE300 41044507044A FRAME/HOOK-IN(AWL)
PI1010085-01 MOTOR, HYDRAULIC

Assembly Name MOTOR, HYDRAULIC (SELF WINCH 31)



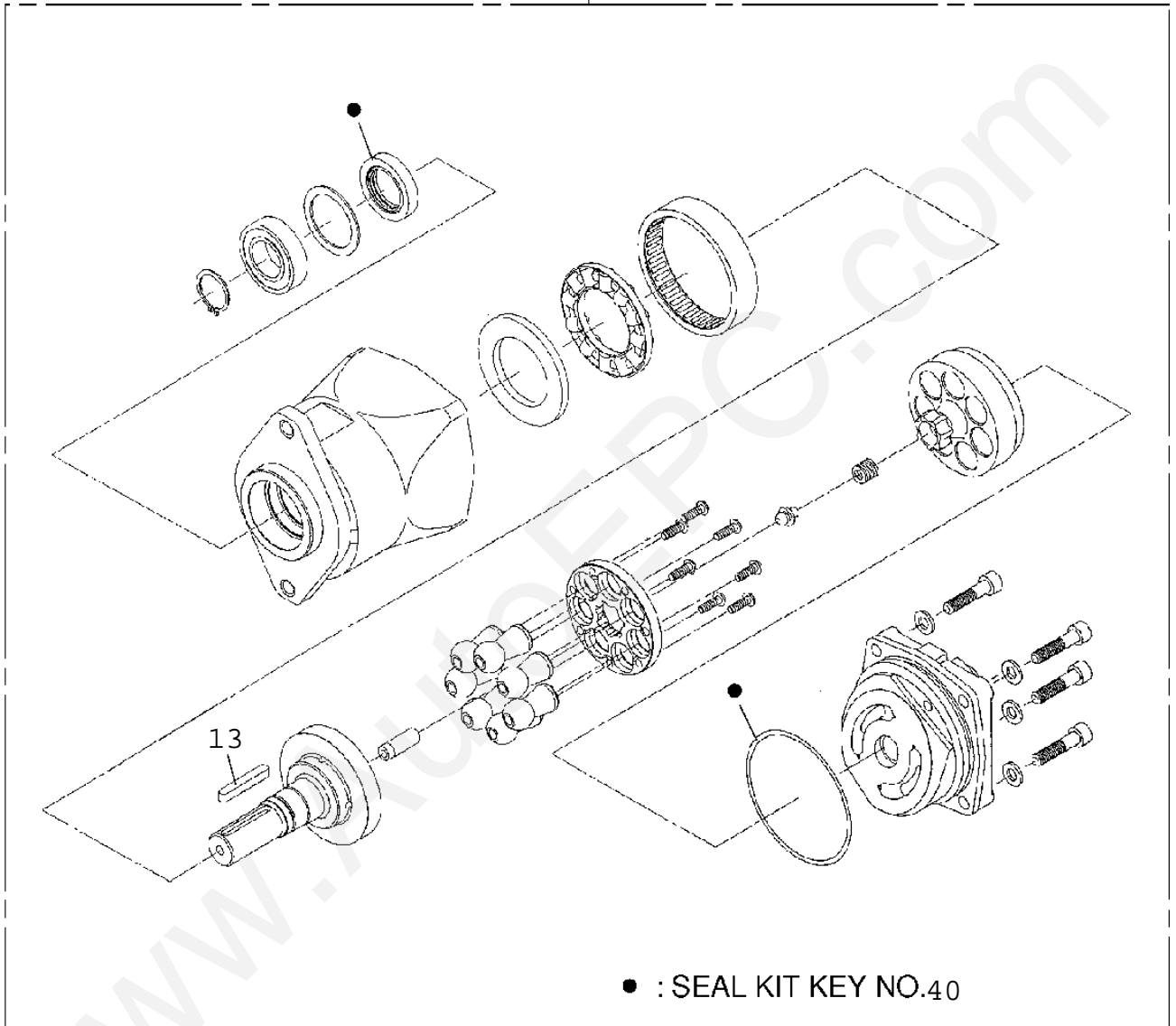
TM-ZE300 41044507044A FRAME/HOOK-IN(AWL)

Pos No.	Parts No	Parts Name	Qty	Unit	Technical Data	Serial No (Start)
1	36662295010	SEAL,DUST	1			
4	91000504100	O-RING	1			
5	36662295020	SEAL,OIL	1			
7	36660375070	KEY	1		7X7X31.5	
9	36662295030	SEAL,SHAFT	1			
13	91000501100	O-RING	3			
16	91000503800	O-RING	1			
19	36660645130	SEAL	1			
20	36660645140	SEAL	1			
25	91001101100	O-RING	1		1A P11	
28	91000590300	O-RING	2			
44	91000504100	O-RING	2			
50	36660645160	SEAL KIT (FOR MOTOR)	1			
100	36662290000	MOTOR,HYDRAULIC	1			

www.AutoEPC.com

TM-ZE300 41044507044A FRAME/HOOK-IN(AWL)
PI1010152-00 MOTOR, HYDRAULIC (WINCH)

50



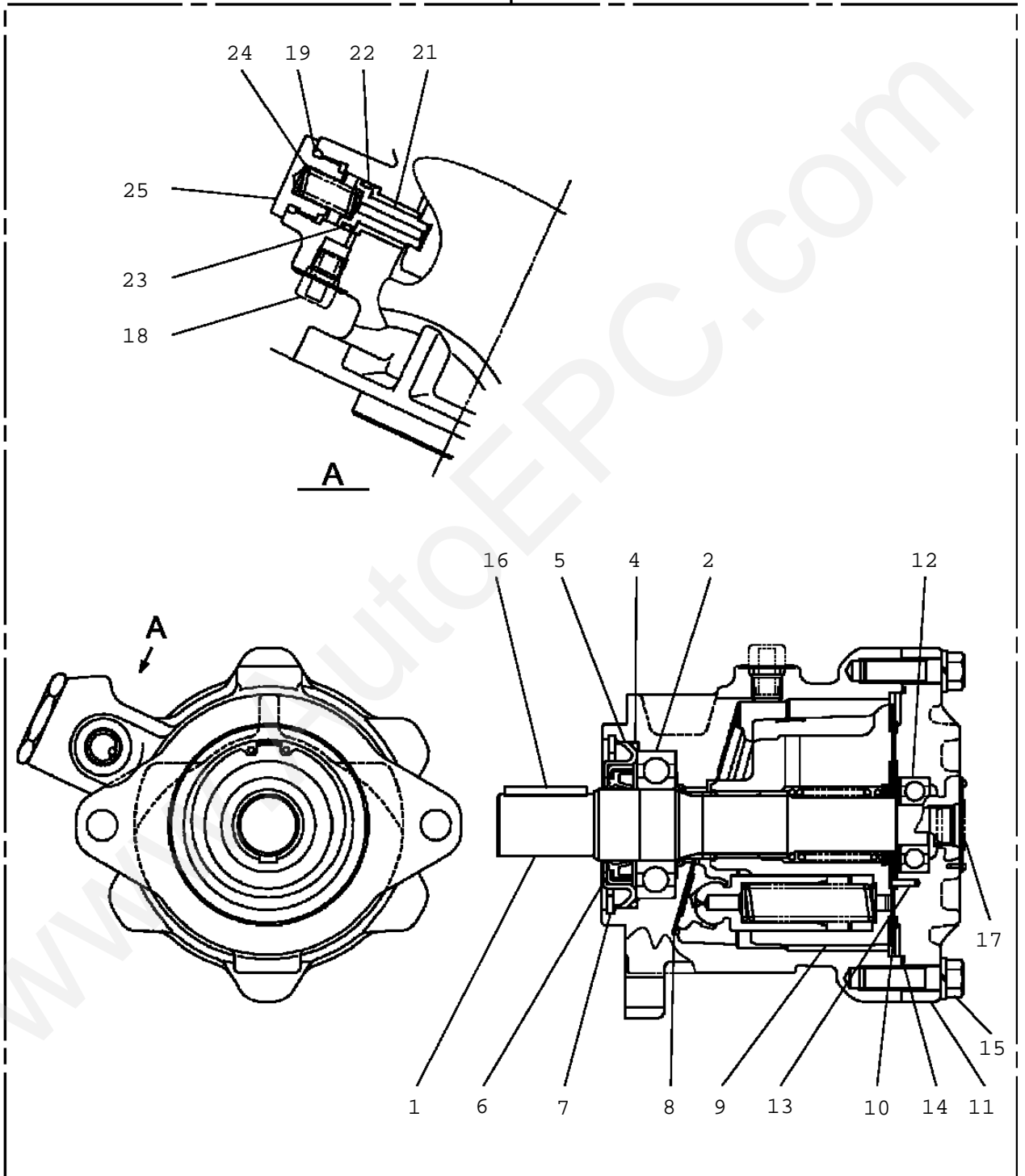
TM-ZE300 41044507044A FRAME/HOOK-IN(AWL)

Pos No.	Parts No	Parts Name	Qty	Unit	Technical Data	Serial No (Star
13	36662185010	KEY (FEATHER)	1			
40	36662415020	SEAL KIT	1			
50	36663100000	MOTOR, HYDRAULIC (WINCH)	1			

www.AutoEPC.com

TM-ZE300 41044507044A FRAME/HOOK-IN(AWL)
PI1010223-00 MOTOR, HYDRAULIC

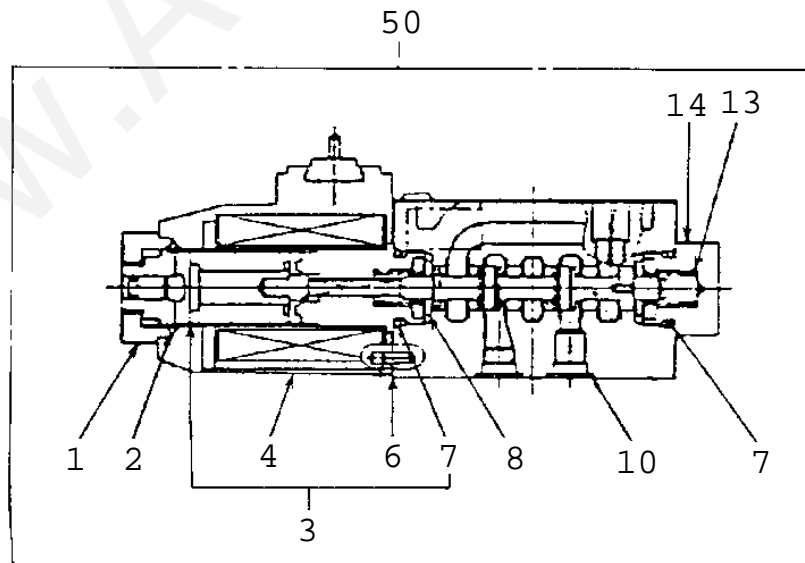
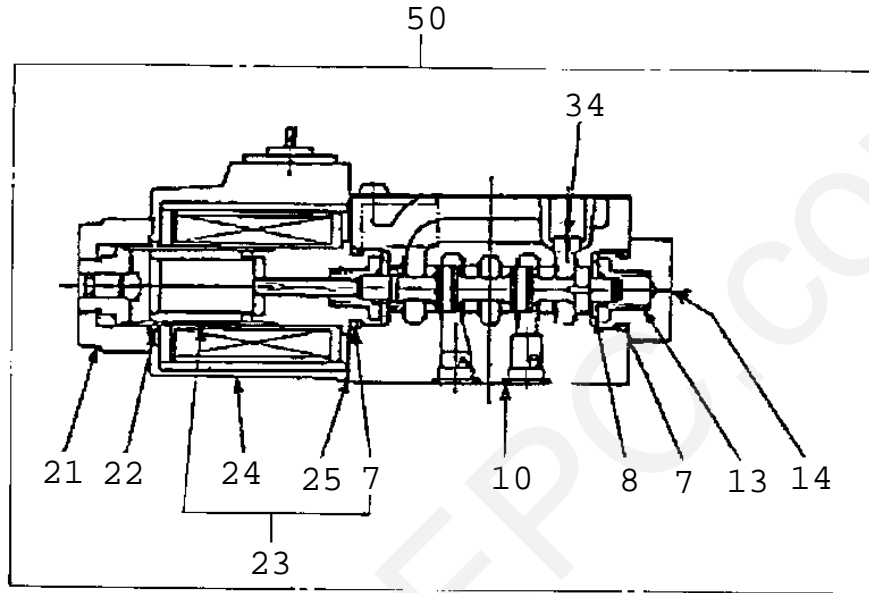
200



TM-ZE300 41044507044A FRAME/HOOK-IN(AWL)

Pos No.	Parts No	Parts Name	Qty	Unit	Technical Data	Serial No (Start
1	36663955100	SHAFT	1			
2	80500006206	BEARING,BALL	1			
4	91001106500	O-RING	1		1A P65	
5	36660025020	COVER (OIL SEAL)	1			
6	36660025140	SEAL,OIL	1			
7	80601210720	RING,RITAINING	1		R72	
8	36663955020	PLATE,THRUST	1			
9	36663955030	BARREL ASSY (CYLINDER)	1			
10	36663955040	PLATE (VALVE)	1			
11	36661925030	COVER (BOTTOM)	1			
12	80500006203	BEARING,BALL	1			
13	36662355110	PIN	2			
14	36663955050	O-RING	1			
15	36663955060	BOLT	6		M10X35	
16	14125151020	KEY	1			
17	36660125060	PLUG	2		PF3/8	
18	36081315130	PROTECTOR (THREAD)	2			
19	91001102201	O-RING	1		1A P22A	
21	36663955070	PISTON (LOCK)	1			
22	91002801800	O-RING	1		1B P18	
23	91410001800	RING,BACKUP	1		P18	
24	36663955080	SPRING (LOCK)	1			
25	36663955090	CAP (LOCK)	1			
200	36663950000	MOTOR,HYDRAULIC	1			

TM-ZE300 41044507044A FRAME/HOOK-IN(AWL)
PI1120142-01 VALVE,SOLENOID

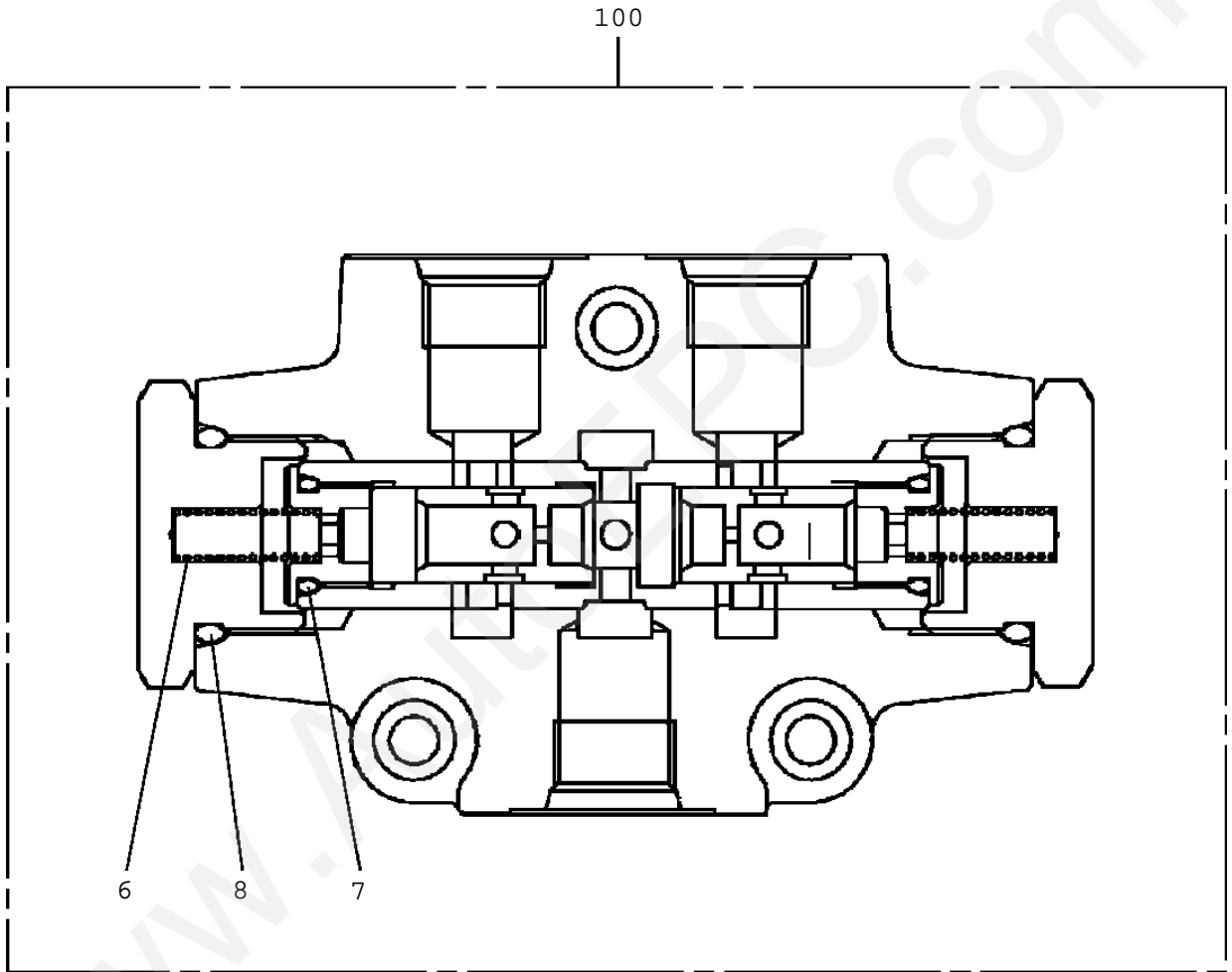


TM-ZE300 41044507044A FRAME/HOOK-IN(AWL)

Pos No.	Parts No	Parts Name	Qty	Unit	Technical Data	Serial No (Start)
7	36642765050	O-RING	2			
8	36642765060	WASHER (CENTER)	2			
10	91000501200	O-RING	4			
13	36643435020	SPRING	2			
14	36642765070	PLUG	1			
21	36643435030	NUT	1			
22	91000501900	O-RING	1			
23	36643435050	CORE ASSY (SOLENOID)	1			
24	36645925020	COIL,SOLENOID	1			
25	36643435070	PACKING	1			
34	36643435040	PIN,SPRING	4			
50	36645920000	VALVE,SOLENOID	1			

www.AutoEPC.com

TM-ZE300 41044507044A FRAME/HOOK-IN(AWL)
PI1160047-00 VALVE, FLOW CONTROL

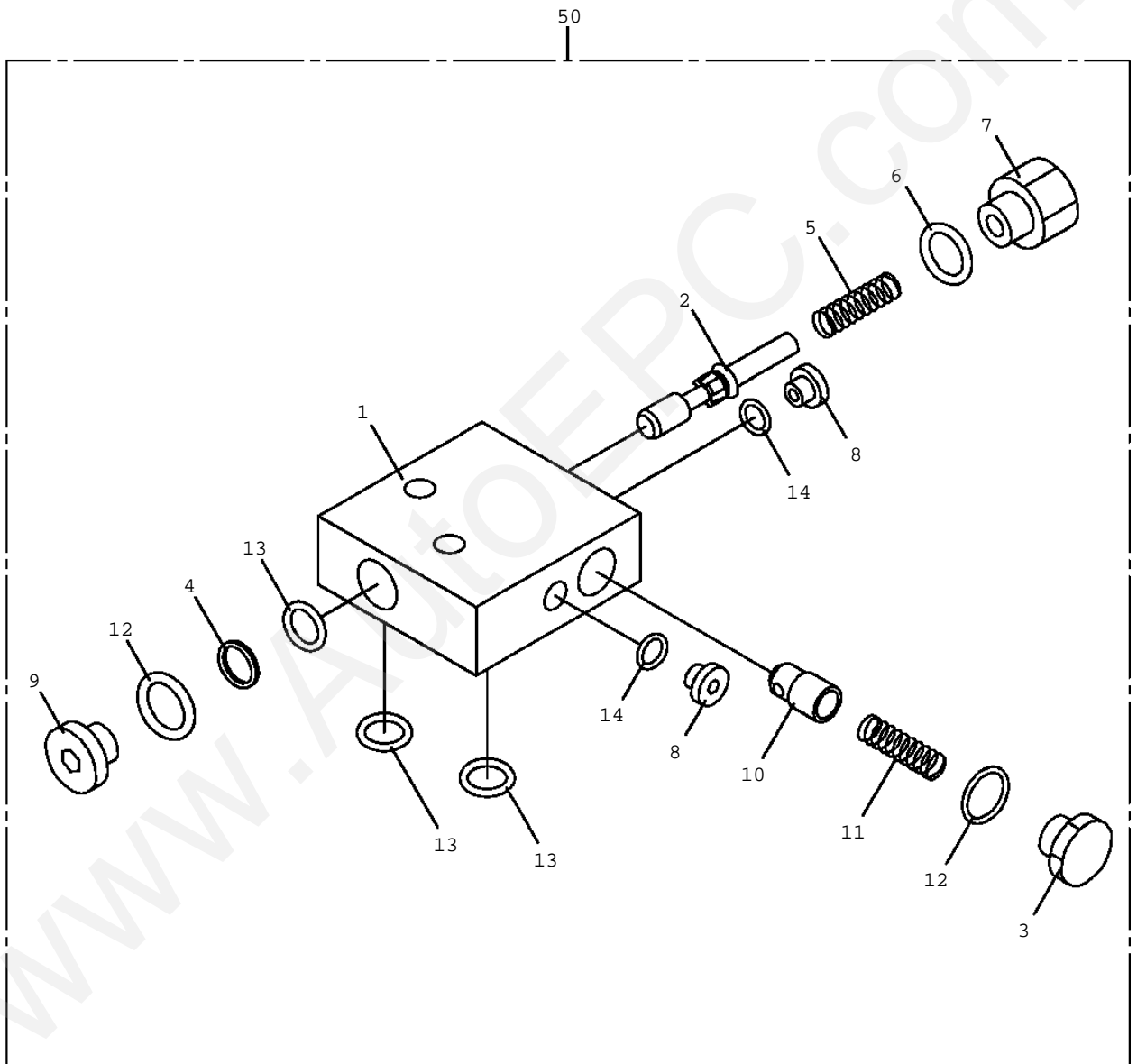


TM-ZE300 41044507044A FRAME/HOOK-IN(AWL)

Pos No.	Parts No	Parts Name	Qty	Unit	Technical Data	Serial No (Start)	S
6	36611675010	SPRING	2				
7	36611675020	O-RING	2		P12		
8	36611675030	O-RING	2		P24		
100	36611670000	VALVE, FLOW CONTROL	1				

www.AutoEPC.com

TM-ZE300 41044507044A FRAME/HOOK-IN(AWL)
PI1250160-00 VALVE,COUNTERBALANCE

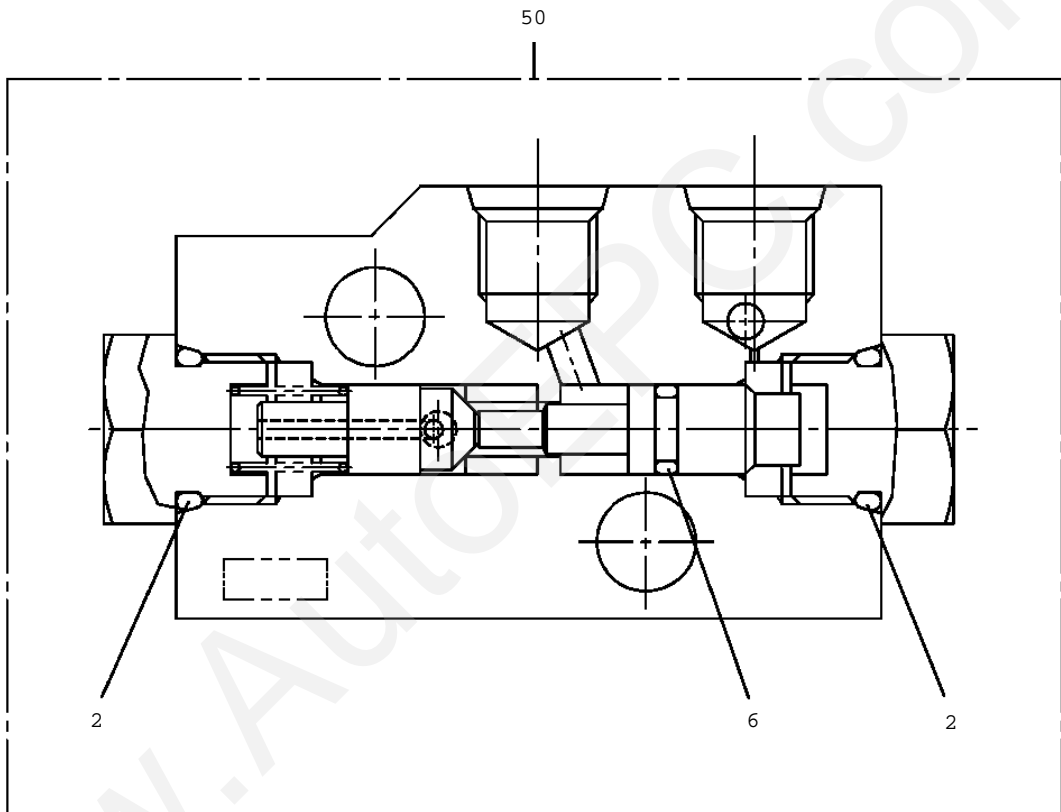


TM-ZE300 41044507044A FRAME/HOOK-IN(AWL)

Pos No.	Parts No	Parts Name	Qty	Unit	Technical Data	Serial No (Start)
1	36606510200	BODY	1			
2	36605200201	SPOOL	1			
3	36605200030	PLUG	1			
4	91411001100	RING, BACKUP	1			
5	37001201750	SPRING	1			
6	91002801800	O-RING	1		1B P18	
7	36605200010	PLUG	1			
8	80316100010	PLUG	2		GPF1/8	
9	36605200020	PLUG	1			
10	36605200300	POPPET	1			
11	37001201760	SPRING	1			
12	91002801400	O-RING	2		1B P14	
13	91002801100	O-RING	3		1B P11	
14	91002800800	O-RING	2		1B P8	
50	36606510002	VALVE, COUNTERBALANCE	1			

www.AutoEPC.com

TM-ZE300 41044507044A FRAME/HOOK-IN(AWL)
PI1280051-00 VALVE,PILOT CHECK

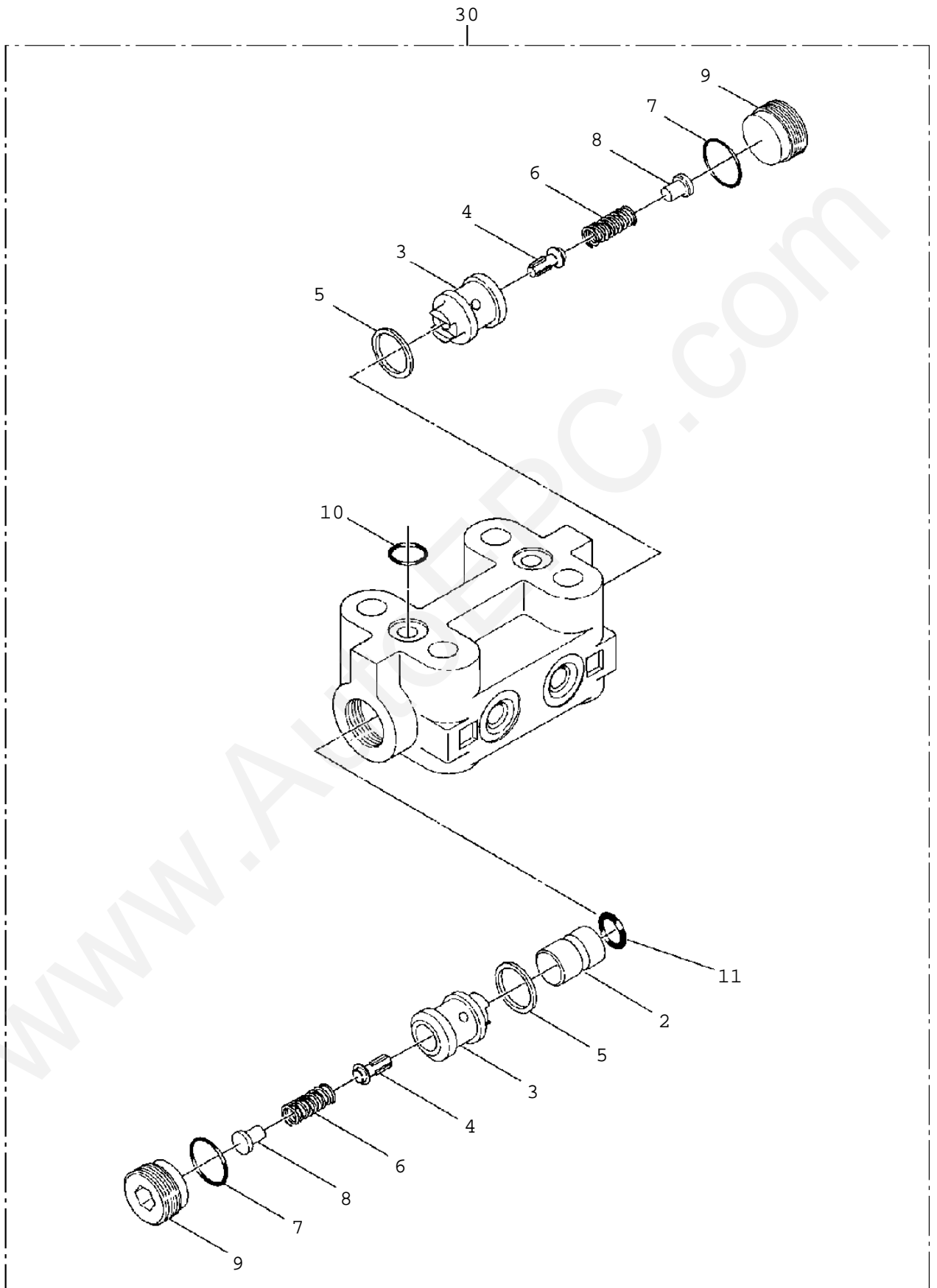


TM-ZE300 41044507044A FRAME/HOOK-IN(AWL)

Pos No.	Parts No	Parts Name	Qty	Unit	Technical Data	Serial No (Start)	Se
2	91002801400	O-RING	2		1B P14		
6	91002800700	O-RING	1		1B P7		
50	36623930000	VALVE,PILOT CHECK	1				

www.AutoEPC.com

TM-ZE300 41044507044A FRAME/HOOK-IN(AWL)
PI1280067-00 VALVE,PILOT CHECK



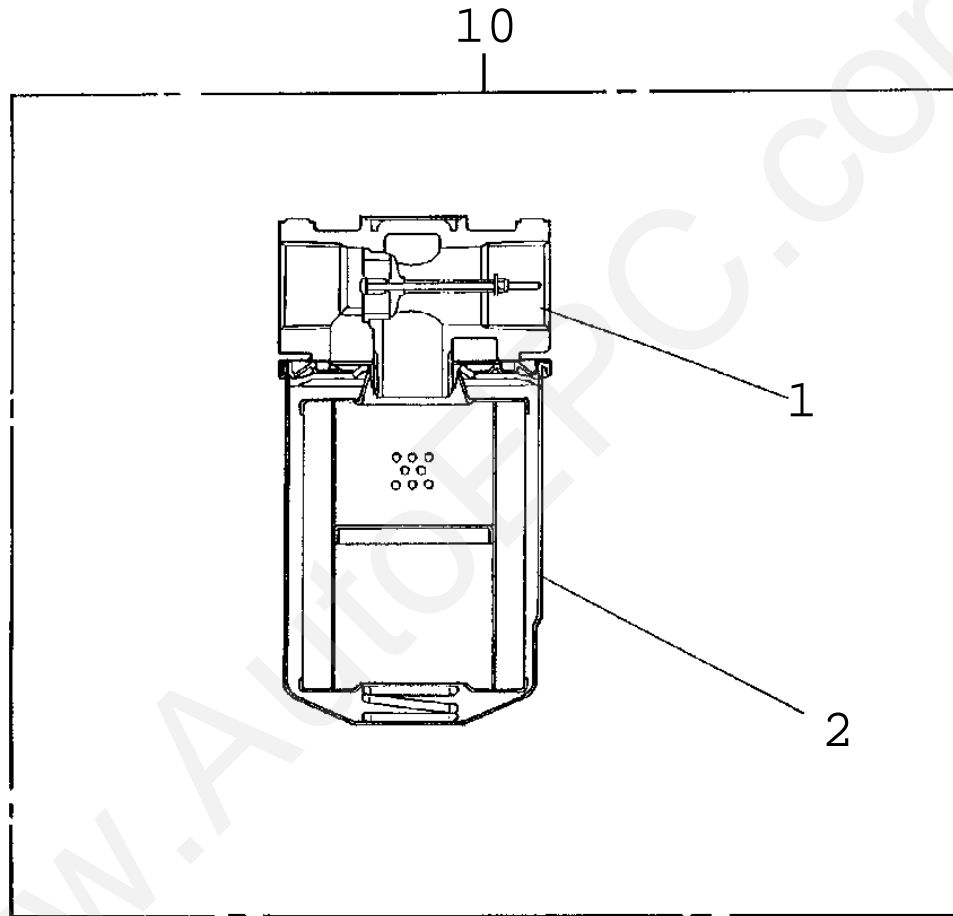
TM-ZE300 41044507044A FRAME/HOOK-IN(AWL)

Pos No.	Parts No	Parts Name	Qty	Unit	Technical Data	Serial No (Start)	Se
2	36624205200	PISTON	1				
3	36624690100	HOUSING	2				
4	36624205400	VALVE,PILOT	2				
5	50815054503	PACKING	2				
6	50815054603	SPRING	2				
7	91002801800	O-RING	2		1B P18		
8	50815054703	PIN (STOP)	2				
9	36623835900	PLUG	2				
10	91002801200	O-RING	2		1B P12		
11	36623825200	CAP (SEAL)	1				
30	36624690000	VALVE,PILOT CHECK	1				

www.AutoEPC.com

TM-ZE300 41044507044A FRAME/HOOK-IN(AWL)
PI1300061-02 FILTER,OIL (YAMASHIN)

Assembly Name FILTER, OIL

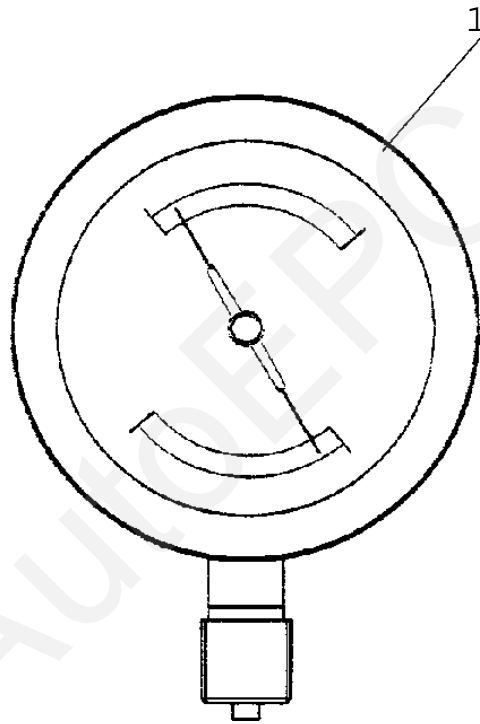


TM-ZE300 41044507044A FRAME/HOOK-IN(AWL)

Pos No.	Parts No	Parts Name	Qty	Unit	Technical Data	Serial No (Start)
1	36672285010	HEAD ASSY	1			
2	36670109511	FILTER,CARTRIDGE	1			
10	36672280000	FILTER,OIL (YAMASHIN)	1			

www.AutoEPC.com

TM-ZE300 41044507044A FRAME/HOOK-IN(AWL)
PI1440013-00 METER,LOAD (2.9TON KUSABA/JAPANESE)



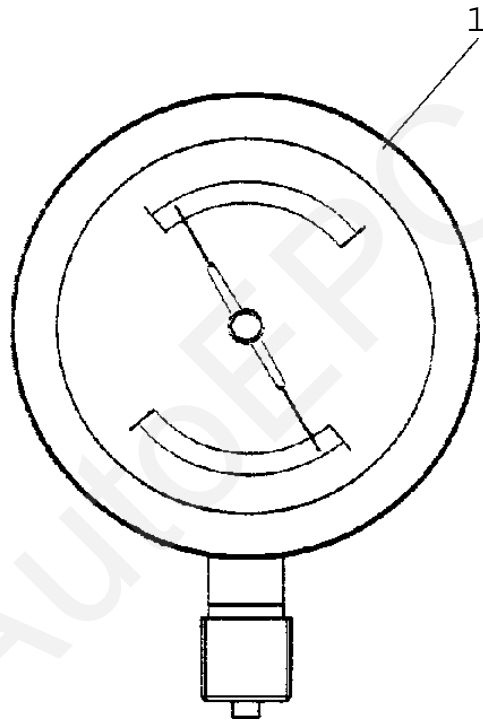
www.AutoEPC.com

TM-ZE300 41044507044A FRAME/HOOK-IN(AWL)

Pos No.	Parts No	Parts Name	Qty	Unit	Technical Data	Ser
1	36684040000	METER,LOAD (2.9TON KUSABA/JAPANESE)	1			

www.AutoEPC.com

TM-ZE300 41044507044A FRAME/HOOK-IN(AWL)
PI1440014-00 METER,LOAD (2.9TON NAGANO/JAPANESE)



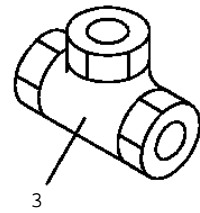
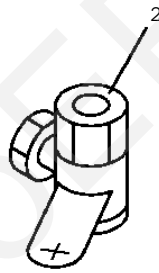
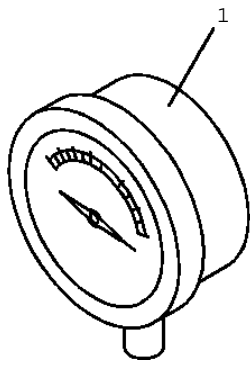
www.AutoEPC.com

TM-ZE300 41044507044A FRAME/HOOK-IN(AWL)

Pos No.	Parts No	Parts Name	Qty	Unit	Technical Data	Ser
1	36684030000	METER,LOAD (2.9TON NAGANO/JAPANESE)	1			

www.AutoEPC.com

TM-ZE300 41044507044A FRAME/HOOK-IN(AWL)
PI1440037-00 METER,LOAD (BOTH SIDE)



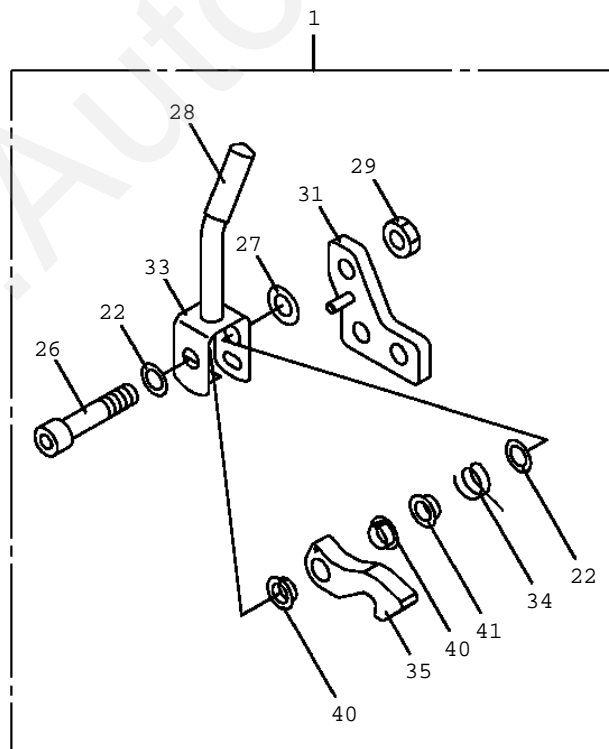
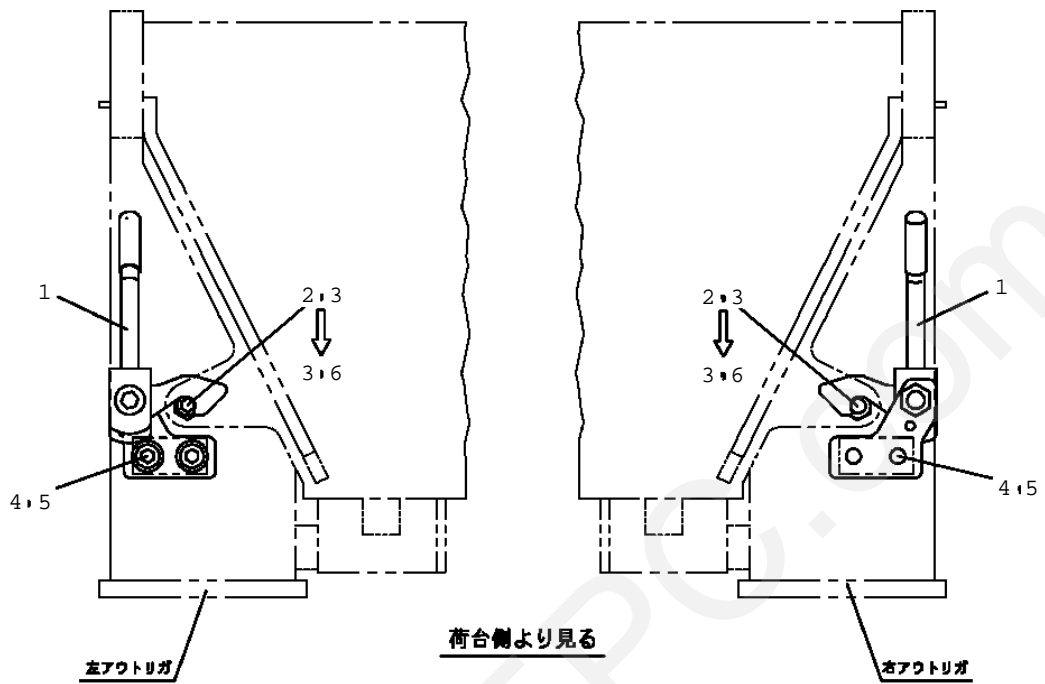
www.AutoPC.com

TM-ZE300 41044507044A FRAME/HOOK-IN(AWL)

Pos No.	Parts No	Parts Name	Qty	Unit	Technical Data	Ser
1	36684040000	METER,LOAD (2.9TON KUSABA/JAPANESE)	1			
	36684030000	METER,LOAD (2.9TON NAGANO/JAPANESE)	1			
2	31644592100	JOINT,ROTARY	1			
3	80305010080	FITTING,TEE	1		KTA10-000N	

www.AutoEPC.com

TM-ZE300 41044507044A FRAME/HOOK-IN(AWL)
PJ3410032-01 LOCK ASSY

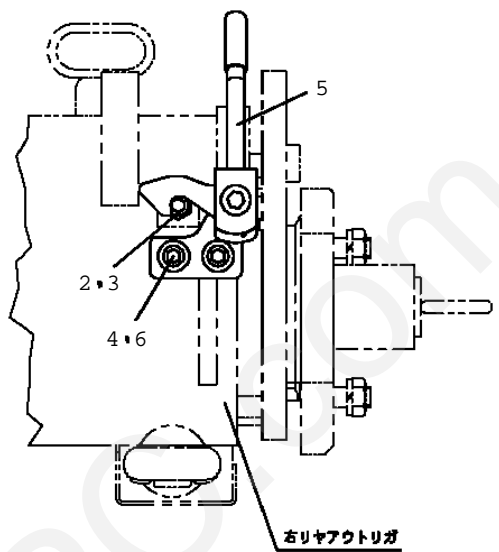
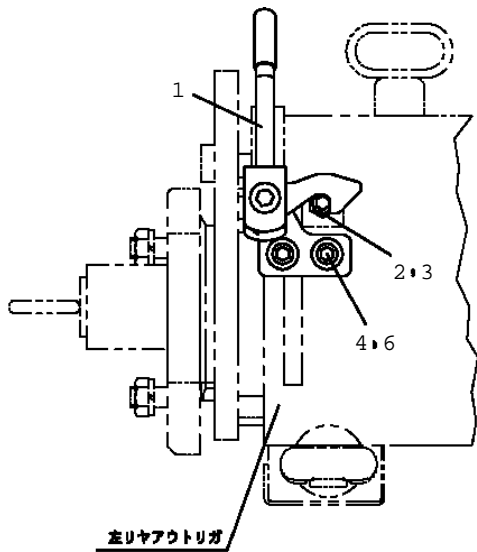


TM-ZE300 41044507044A FRAME/HOOK-IN(AWL)

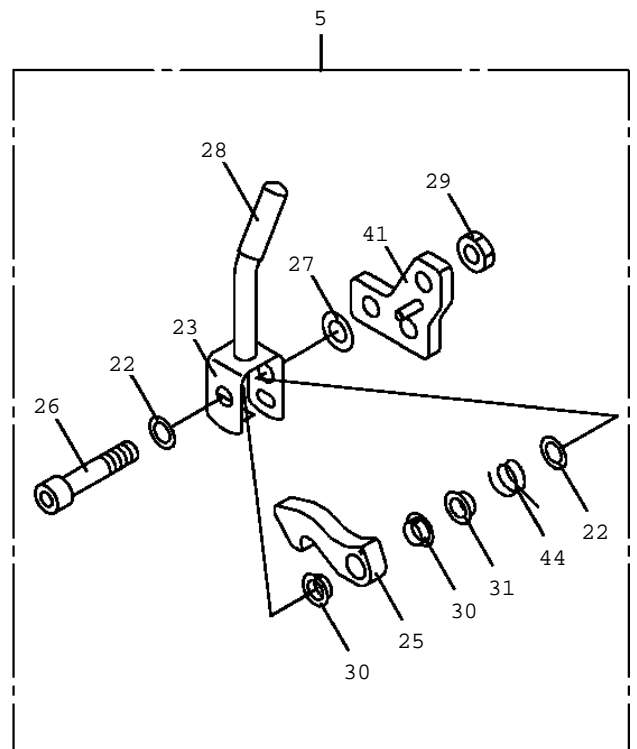
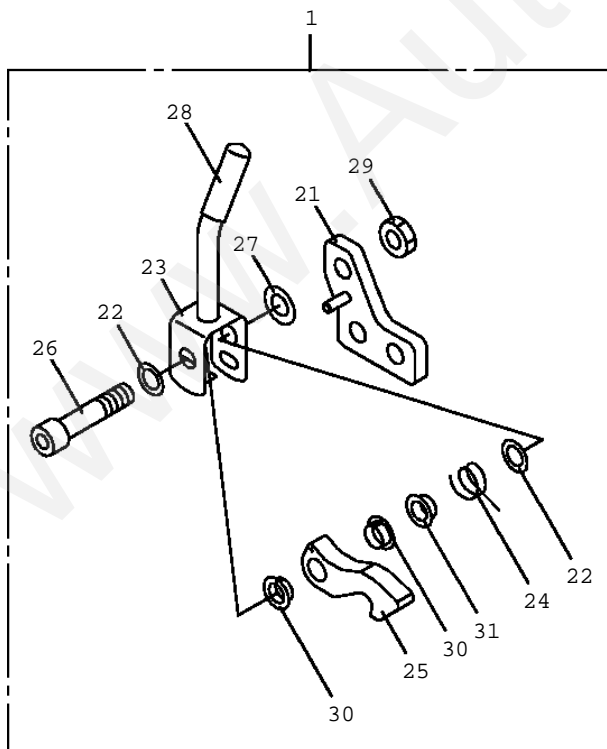
Pos No.	Parts No	Parts Name	Qty	Unit	Technical Data	Serial No (Start)
1	31950472000	LOCK ASSY	2			
3	90172110055	BOLT,HEXAGON SOCKET	2		M10X55	
4	90172110020	BOLT,HEXAGON SOCKET	4		M10X20	
5	90303071001	WASHER,PLAIN	4		10	
6	90203201000	NUT	2		M10	
22	37000537270	PLATE	4			
23	31950491100	LEVER	2			
26	37001510080	BOLT,HEXAGON SOCKET	2			
27	90303071201	WASHER,PLAIN	2		12	
28	82400000527	CAP	2			
29	90203201200	NUT	2		M12	
31	31950300460	SUPPORT (STEEL CAST)	2			
	31950300402	SUPPORT	2			
34	37001400341	SPRING	2			
35	31950300602	HOOK	2			
40	37000400510	BEARING,PLAIN	4			
41	80824001206	BEARING,PLAIN	2			

www.AutoEPC.com

TM-ZE300 41044507044A FRAME/HOOK-IN(AWL)
 PJ3410034-01 LOCK ASSY



車両後端より見る

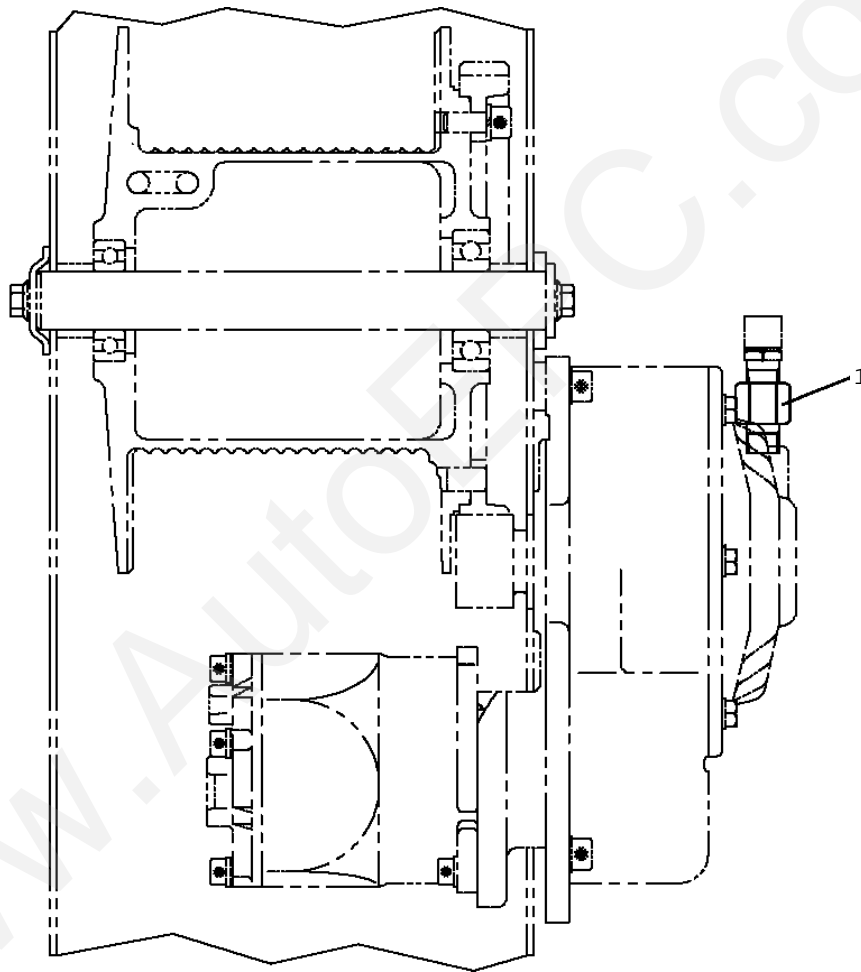


TM-ZE300 41044507044A FRAME/HOOK-IN(AWL)

Pos No.	Parts No	Parts Name	Qty	Unit	Technical Data	Serial No (Start)
1	31950472000	LOCK ASSY	1			
2	90203201000	NUT	2		M10	
3	90172110055	BOLT,HEXAGON SOCKET	2		M10X55	
4	90172110020	BOLT,HEXAGON SOCKET	4		M10X20	
5	31950492000	LOCK ASSY	1			
6	90303071001	WASHER,PLAIN	4		10	
21	31950300402	SUPPORT	1			
	31950300460	SUPPORT (STEEL CAST)	1			
22	37000537270	PLATE	4			
23	31950491100	LEVER	2			
24	37001400341	SPRING	1			
25	31950300602	HOOK	2			
26	37001510080	BOLT,HEXAGON SOCKET	2			
27	90303071201	WASHER,PLAIN	2		12	
28	82400000527	CAP	2			
29	90203201200	NUT	2		M12	
30	37000400510	BEARING,PLAIN	4			
31	80824001206	BEARING,PLAIN	2			
41	31950330720	SUPPORT (STEEL CAST)	1			
	31950330702	SUPPORT	1			
44	37001400351	SPRING	1			

www.AutoEPC.com

TM-ZE300 41044507044A FRAME/HOOK-IN(AWL)
PJ5080020-00 JOINT ASSY

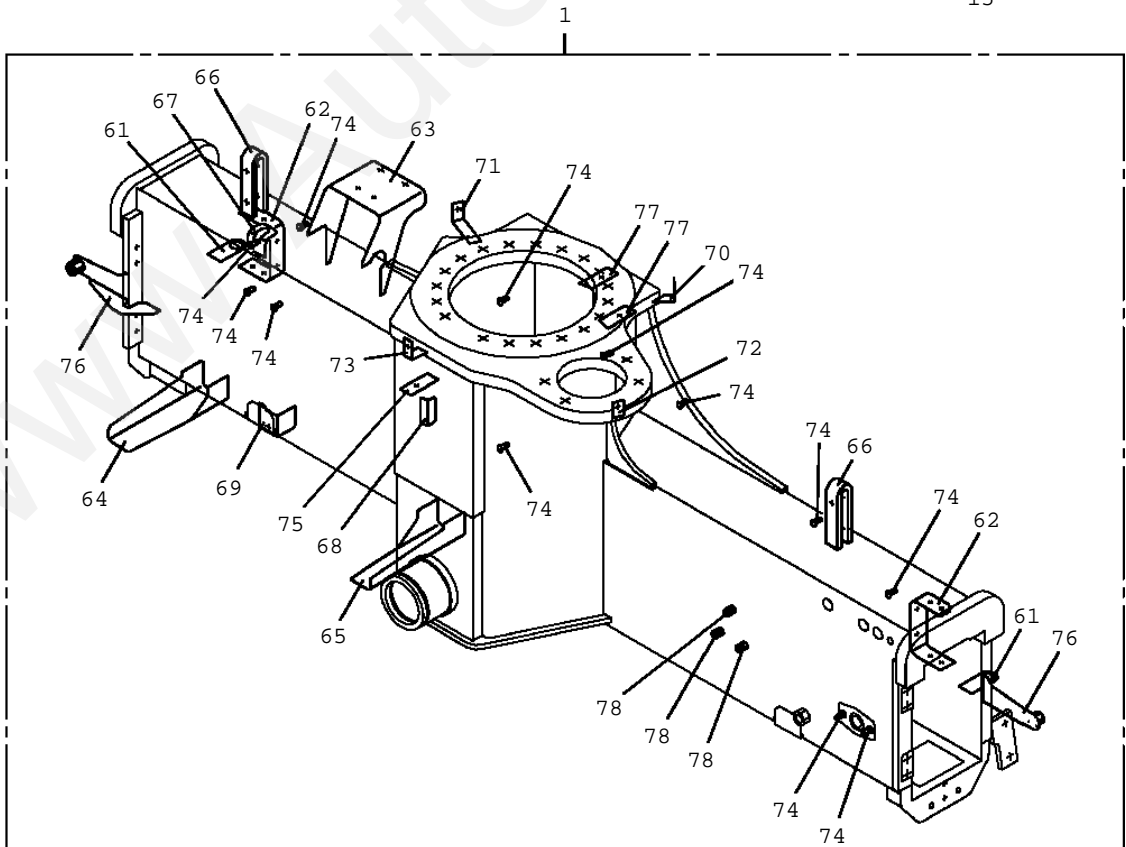
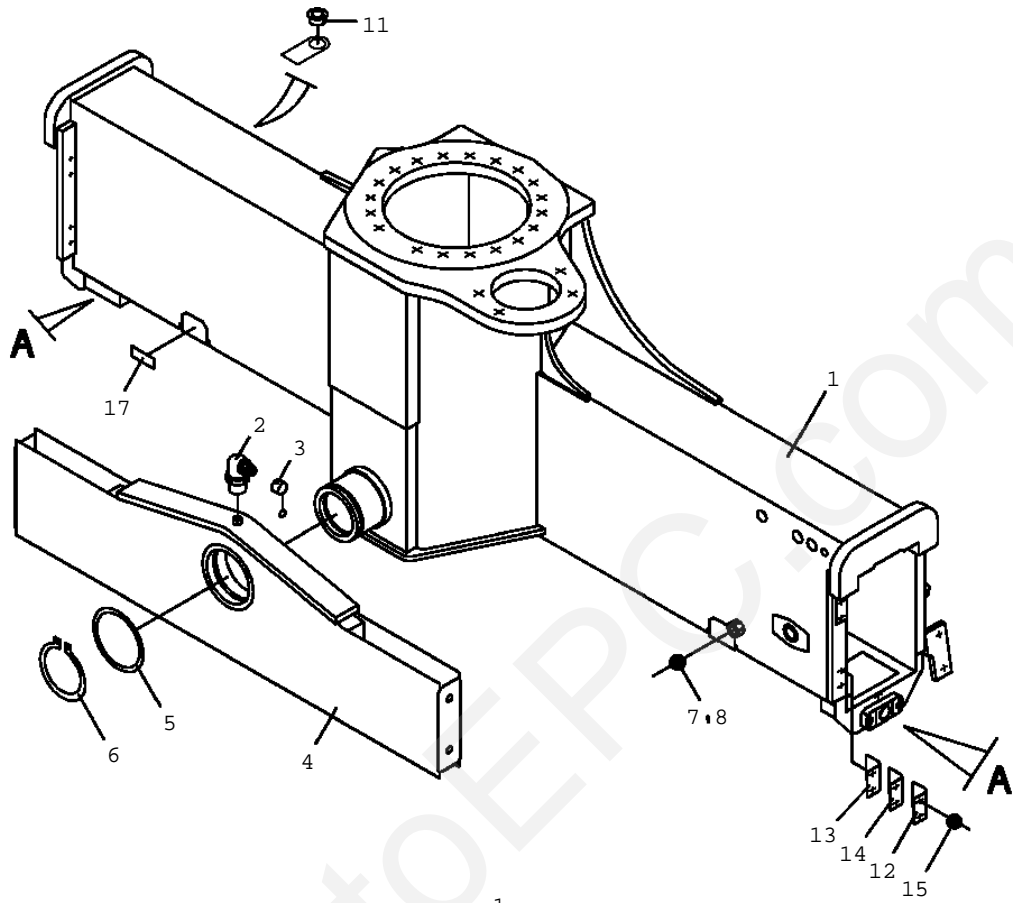


TM-ZE300 41044507044A FRAME/HOOK-IN(AWL)

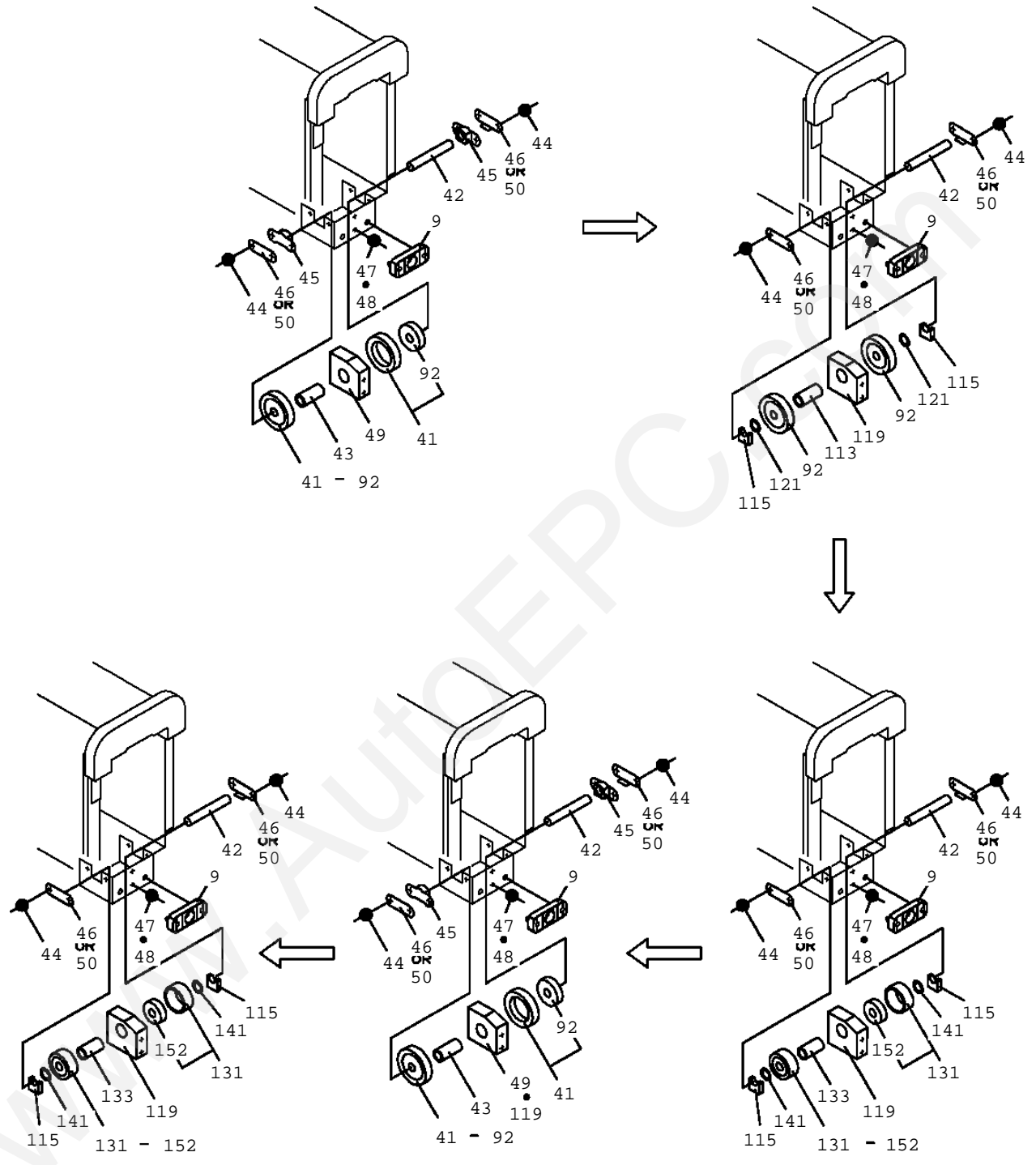
Pos No.	Parts No	Parts Name	Qty	Unit	Technical Data	Serial No (Start)	Serial No
1	37000928880	JOINT	1				

www.AutoEPC.com

TM-ZE300 41044507044A FRAME/HOOK-IN(AWL)
PK1011359-03 FRAME



TM-ZE300 41044507044A FRAME/HOOK-IN(AWL)
PK1011359-03 FRAME

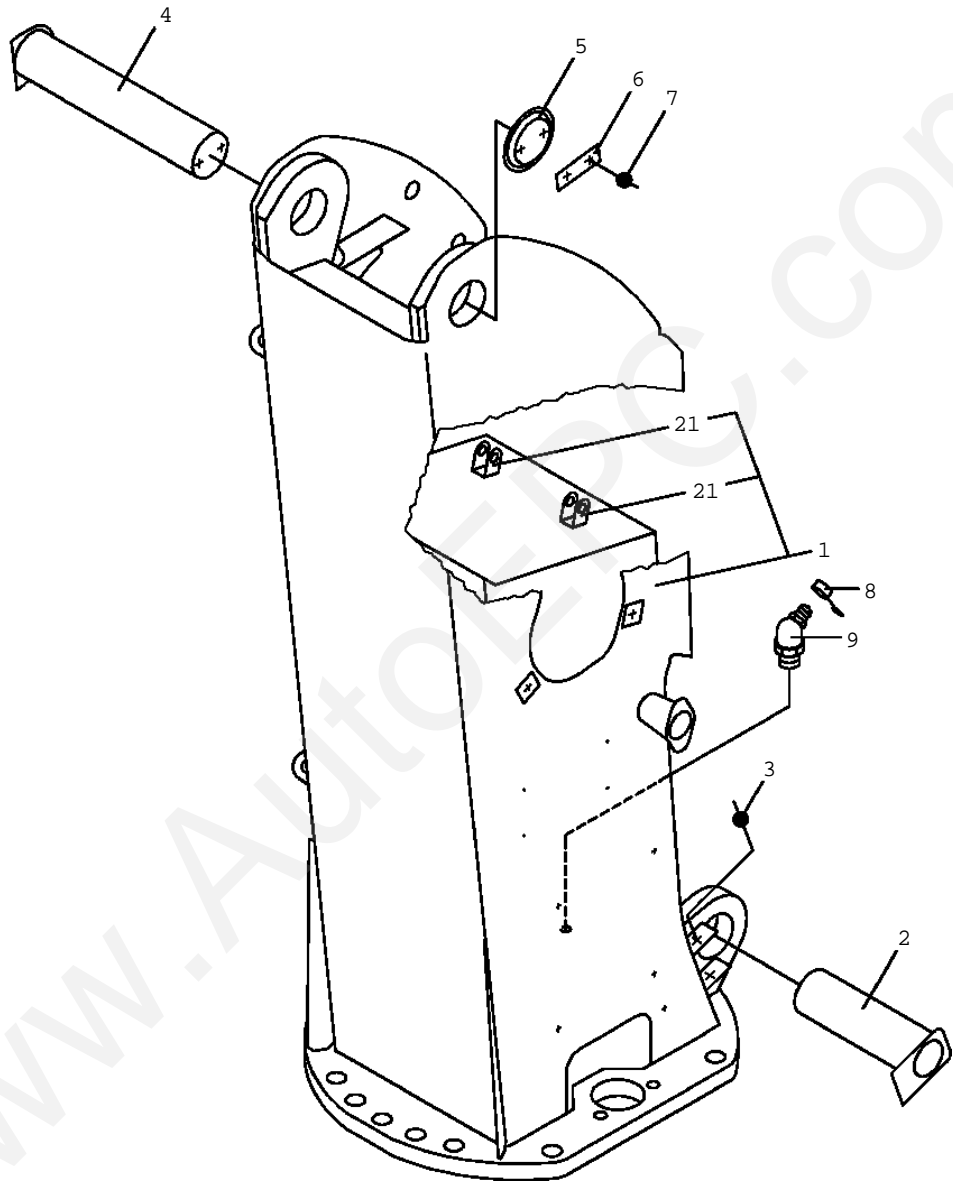


A

TM-ZE300 41044507044A FRAME/HOOK-IN(AWL)

Pos No.	Parts No	Parts Name	Qty	Unit	Technical Data	Serial No (Star
1	31625070101	FRAME ASSY	1			
2	82459103000	NIPPLE,GREASE	1		C-PT1/8	
3	82400000459	CAP	1			
4	31623080200	FRAME	1			
5	37000520580	PLATE	1			
6	80601110950	RING,RITAINING	1		S95	
7	90203201600	NUT	2		M16	
8	90102216050	BOLT	2		M16X50	
9	31624750200	INSULATOR	2			
11	82400000526	LEVEL	2			
12	31622042200	SPACER	4			
13	31622202200	SHIM	N		T=1.6	
14	31622042300	SHIM	N		T=0.5	
15	90186208020	BOLT,FLANGE	8		M8X20	
17	37000550890	PLATE	1			
42	37000183330	PIN	2			
44	90186208010	BOLT,FLANGE	8		M8X10	
46	31621962200	PLATE	4		T=0.5	
47	90303100801	WASHER,PLAIN	4		8	
48	90172108020	BOLT,HEXAGON SOCKET	4		M8X20	
50	31624750500	PLATE	8		T=1	
61	31624812300	SUPPORT	2			
62	31625002100	SUPPORT	2			
63	31625072050	SUPPORT	1			
64	31624812100	SUPPORT	1			
65	31624752300	SUPPORT	1			
66	31621964100	SUPPORT	2			
67	31621964700	SUPPORT	1			
68	31623142300	SUPPORT	1			
69	31624812150	SUPPORT	1			
70	31624752400	SUPPORT	1			
71	31624752460	SUPPORT	1			
72	31620580250	PLATE	1			
73	31624752470	SUPPORT	1			
74	90190000008	BOLT,STUD	16		M6X20	
75	37000572550	PLATE	1			
76	31624812200	SUPPORT	2			
77	37000587800	PLATE	2			
78	37001602170	NUT	3			
115	31624750390	SUPPORT	4			
119	31624750420	STOPPER (CUTTING PARTS)	2			
	31624750430	STOPPER (STEEL CAST)	2			
131	37001111050	ROLLER ASSY	4			
133	37000315540	SPACER	2			
141	37000315550	SPACER	4			
152	80516006302	BEARING,BALL	4			

TM-ZE300 41044507044A FRAME/HOOK-IN(AWL)
PK1100466-01 SWING FRAME

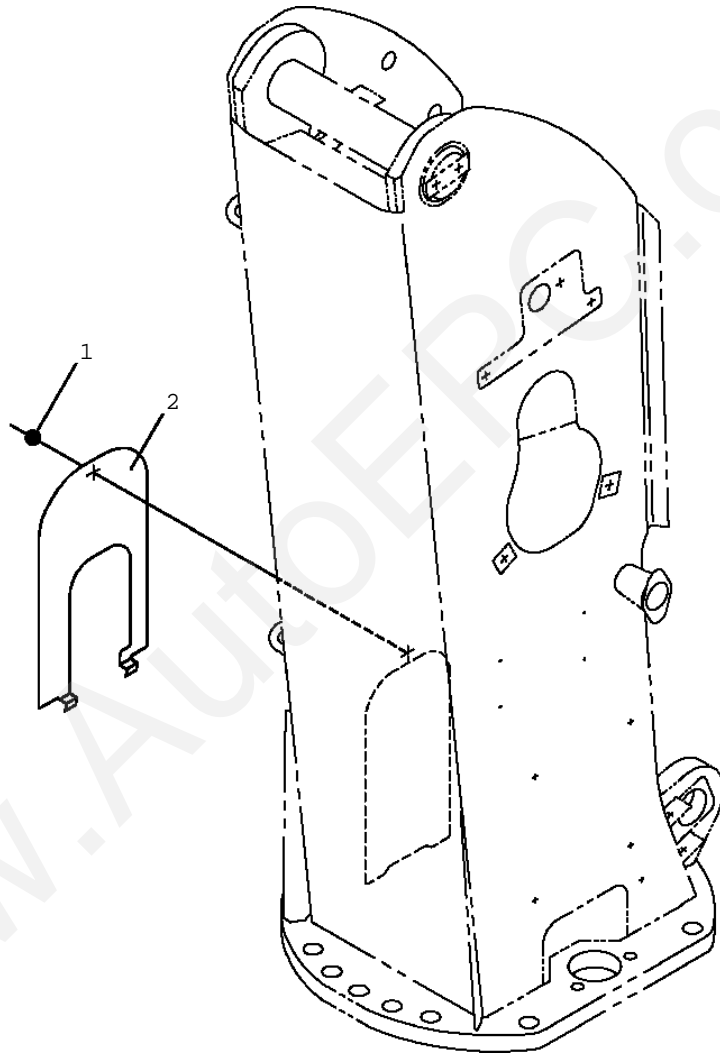


TM-ZE300 41044507044A FRAME/HOOK-IN(AWL)

Pos No.	Parts No	Parts Name	Qty	Unit	Technical Data	Serial No (Start)	Seri
1	31231579510	POST	1				
2	37000205240	PIN (MACHINING)	1				
	37000202780	PIN (WELDING)	1				
3	80136363080	PIN,SPLIT	1		6.3X80		
4	37000205260	PIN (MACHINING)	1				
	37000202270	PIN (WELDING)	1				
5	31230412000	COVER	1				
6	37000527860	PLATE	1				
7	90101210016	BOLT	2		M10X16		
8	82400000459	CAP	1				
9	82458102000	NIPPLE,GREASE	1		B-PT1/8		
21	31230580220	SUPPORT	2				

www.AutoEPC.com

TM-ZE300 41044507044A FRAME/HOOK-IN(AWL)
PK1330374-00 COVER (POST)

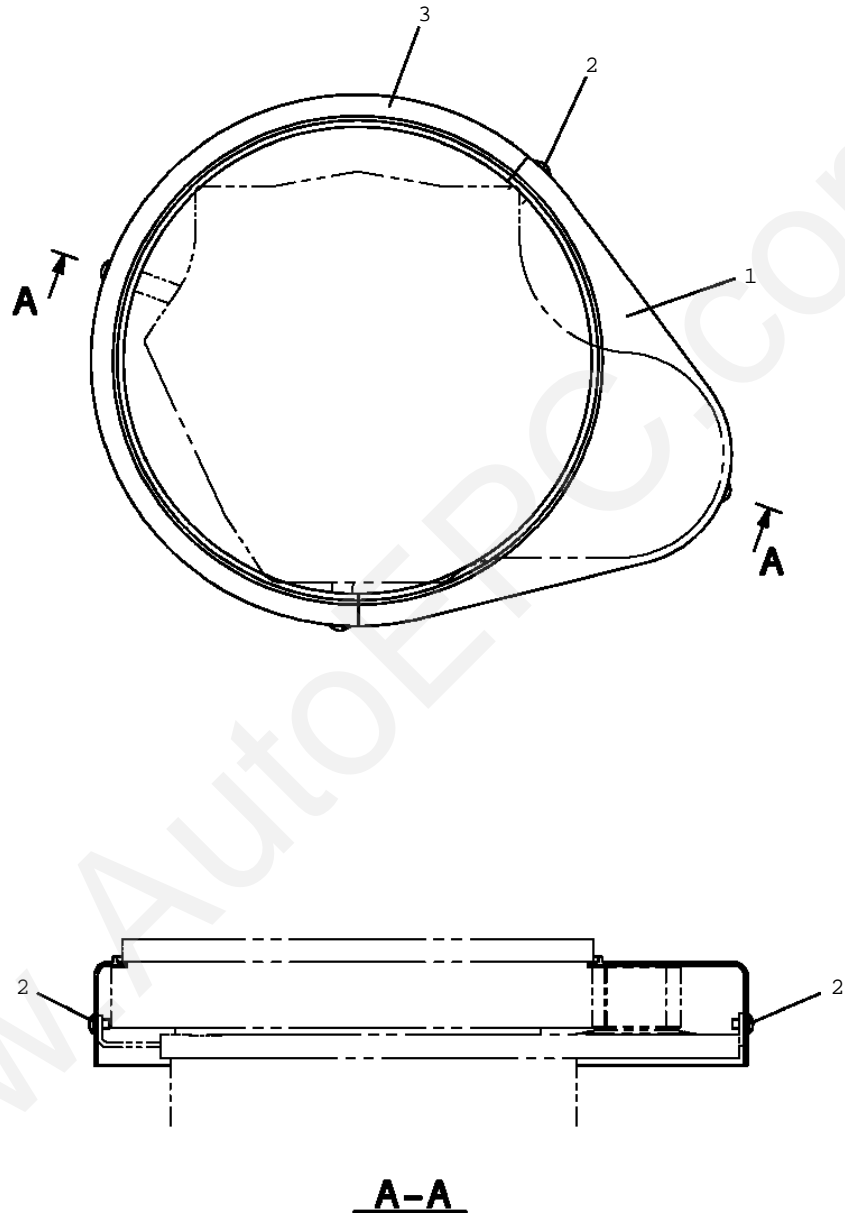


TM-ZE300 41044507044A FRAME/HOOK-IN(AWL)

Pos No.	Parts No	Parts Name	Qty	Unit	Technical Data	Serial No (Start)	Serial N
1	90186208014	BOLT, FLANGE	1		M8X14		
2	31270641100	COVER	1				

www.AutoEPC.com

TM-ZE300 41044507044A FRAME/HOOK-IN(AWL)
PK1330375-00 COVER (SWING)

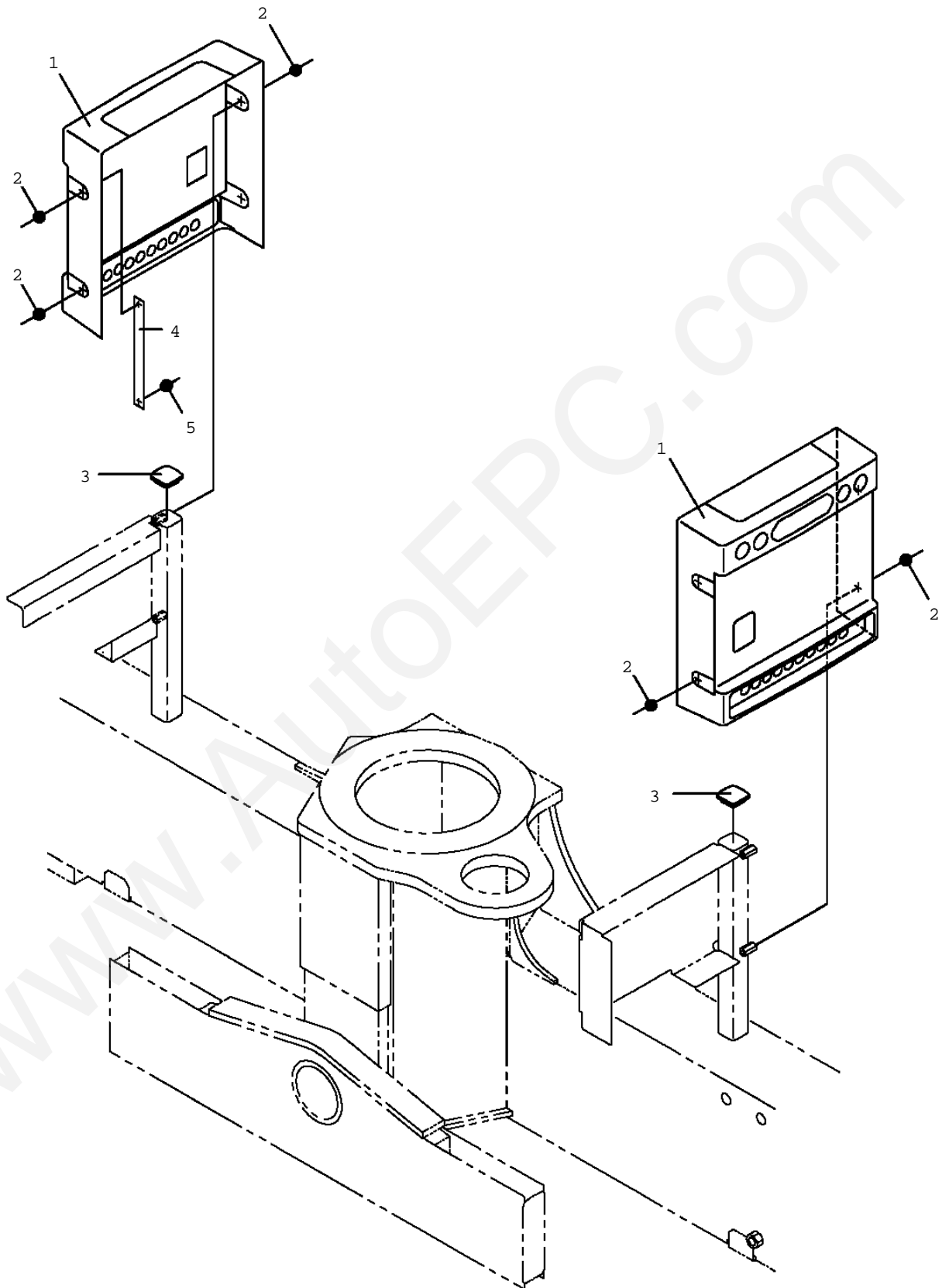


TM-ZE300 41044507044A FRAME/HOOK-IN(AWL)

Pos No.	Parts No	Parts Name	Qty	Unit	Technical Data	Serial No (Start)	Serial
1	31270642100	COVER (BLACK)	1				
2	90186208014	BOLT, FLANGE	4		M8X14		
3	31270642200	COVER (BLACK)	1				

www.AutoEPC.com

TM-ZE300 41044507044A FRAME/HOOK-IN(AWL)
PK1330382-01 COVER (SWITCH PANEL)

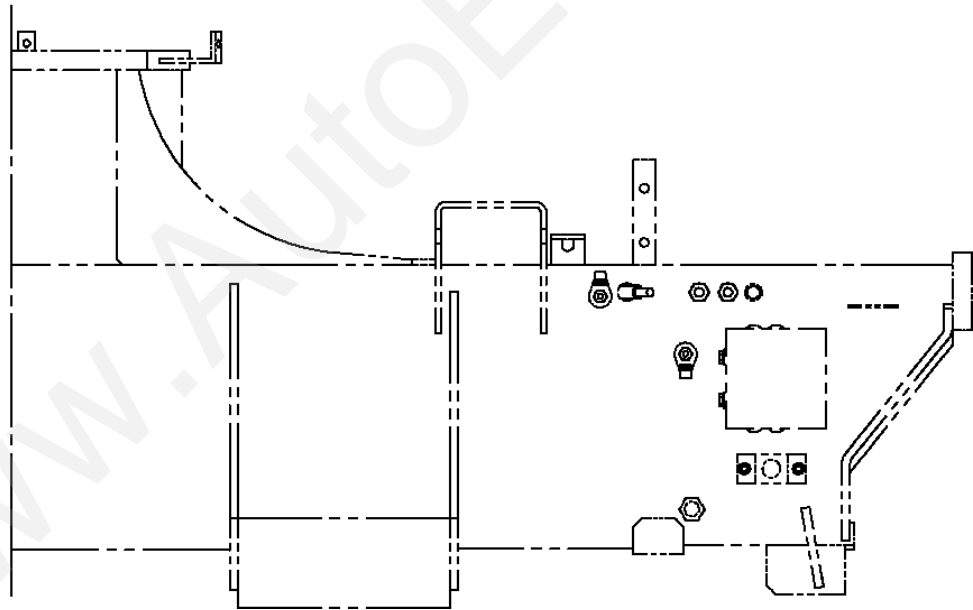
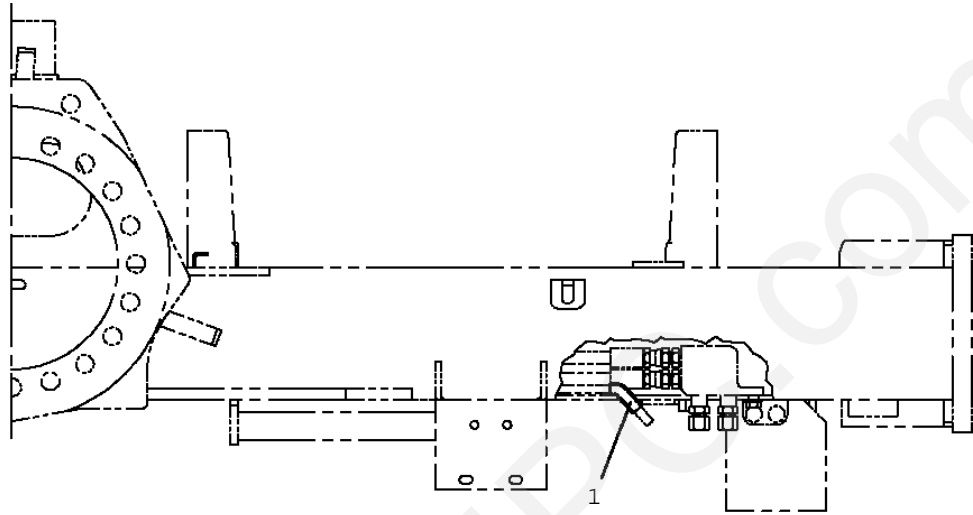


TM-ZE300 41044507044A FRAME/HOOK-IN(AWL)

Pos No.	Parts No	Parts Name	Qty	Unit	Technical Data	Serial No (Start)	Serial N
1	31270643200	COVER	2				
2	90186208014	BOLT, FLANGE	8		M8X14		
3	31270212000	CAP	2				
4	31270643300	PLATE	1				
5	90280200800	NUT, FLANGE	1		M8		

www.AutoEPC.com

TM-ZE300 41044507044A FRAME/HOOK-IN(AWL)
PK1330402-00 COVER (O/R HARNESS PROTECT)

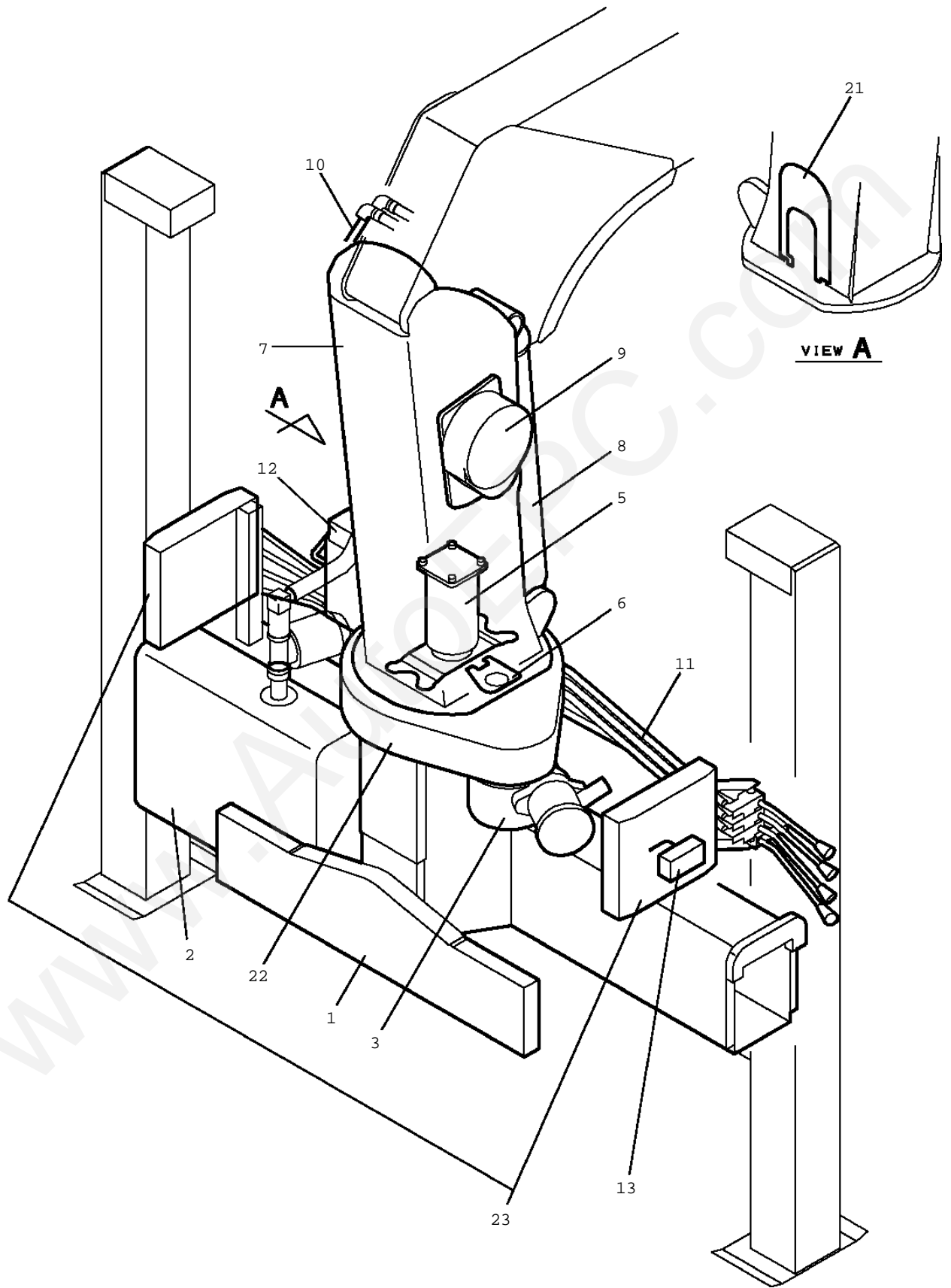


TM-ZE300 41044507044A FRAME/HOOK-IN(AWL)

Pos No.	Parts No	Parts Name	Qty	Unit	Technical Data	Serial No (Start)	Serial No
1	31361946100	COVER	2				

www.AutoEPC.com

TM-ZE300 41044507044A FRAME/HOOK-IN(AWL)
PK2000938-00 FRAME UNIT (1)

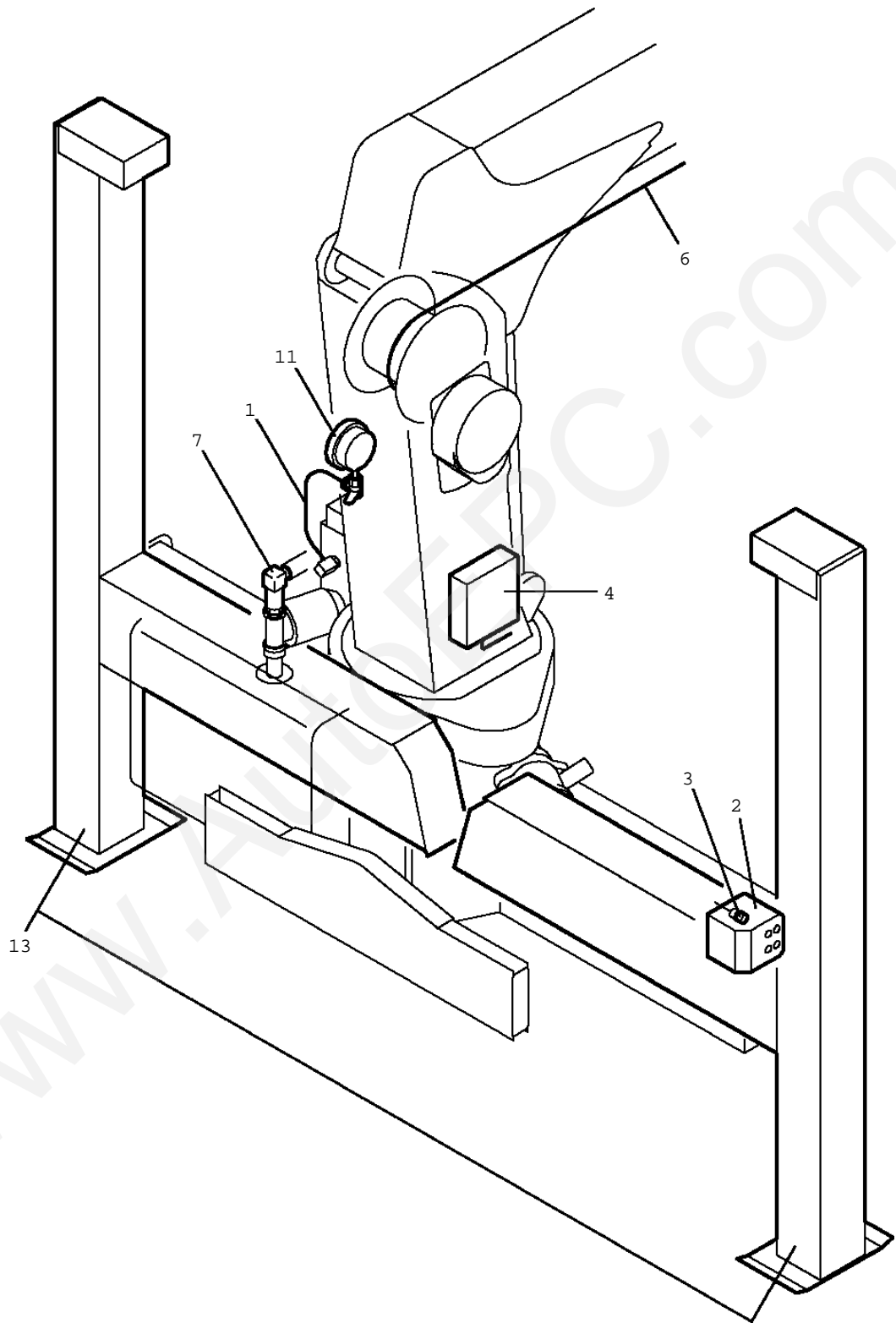


TM-ZE300 41044507044A FRAME/HOOK-IN(AWL)

Pos No.	Parts No	Parts Name	Qty	Unit	Technical Data	Serial No (St
1	(*****)	FRAME	1			
2	(*****)	TANK,OIL (MOUNT)	1			
3	(*****)	SWING UNIT	1			
5	31631770001	JOINT,ROTARY	1			
6	(*****)	STOPPER,ROTARY JOINT	1			
7	(*****)	SWING FRAME	1			
8	31241370002	DERRICK ASSY	1			
9	(*****)	MOUNT,WINCH	1			
10	(*****)	PIPING,UPPER	1			
11	(*****)	OPE.ASSY,CONT.VALVE	1			
12	(*****)	PIPING,LOWER	1			
13	(*****)	ELEC.ASSY (PANEL SWICH)	1			
21	(*****)	COVER (POST)	1			
22	(*****)	COVER (SWING)	1			
23	(*****)	COVER (SWITCH PANEL)	1			

www.AutoEPC.com

TM-ZE300 41044507044A FRAME/HOOK-IN(AWL)
PK2001369-00 FRAME UNIT (2)

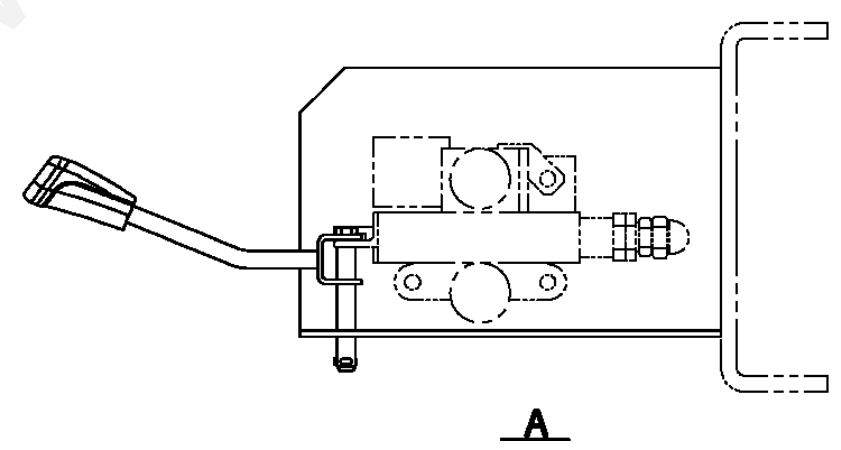
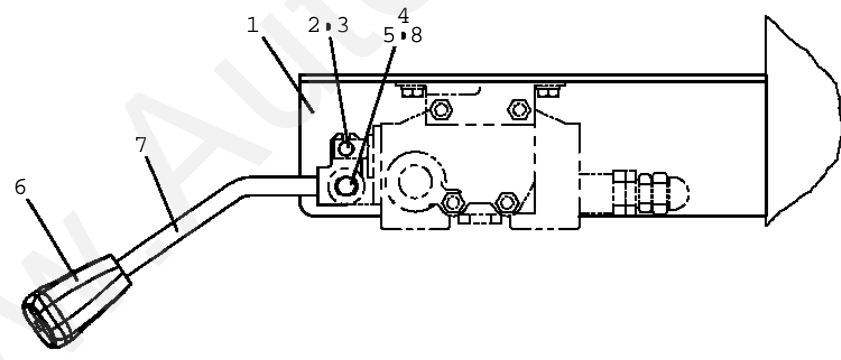
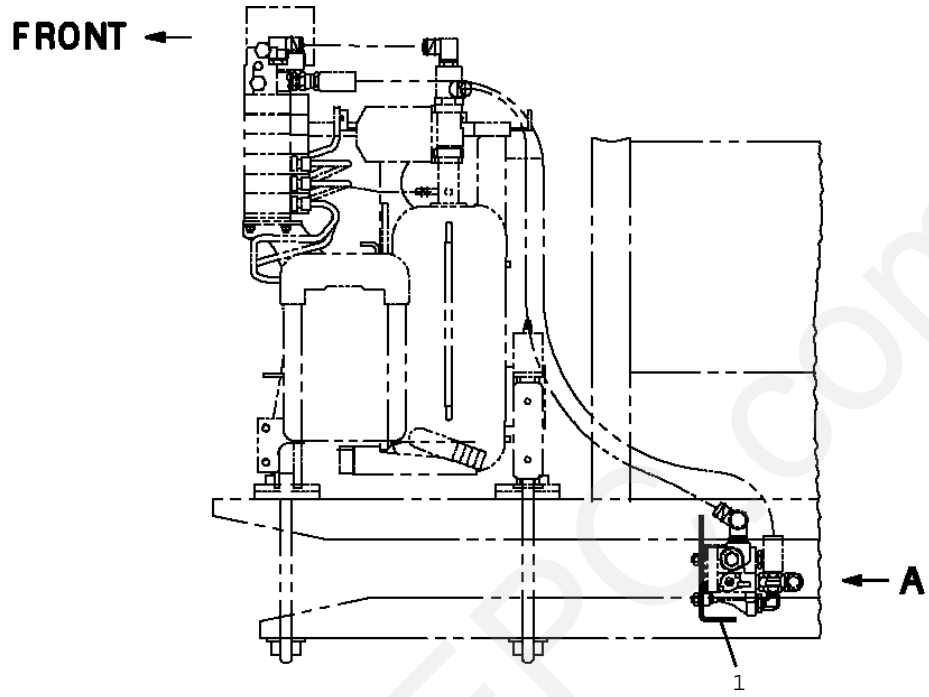


TM-ZE300 41044507044A FRAME/HOOK-IN(AWL)

Pos No.	Parts No	Parts Name	Qty	Unit	Technical Data
1	(*****)	PIPING,LOWER (FOR LOAD METER)	1		
2	(*****)	ELEC.ASSY (FRAME SWITCH)	1		
3	(*****)	ELEC.ASSY (SWITCH.PLUG/FRAME)	1		
4	(*****)	PARTS ASSY,BML (SAFETY DEVICES)	1		
6	37001804860	ROPE,WIRE (KISWIRE)	1		
7	(*****)	PIPING,LOWER (JOINT FOR RETURN FILTER)	1		
11	36684030000	METER,LOAD (2.9TON NAGANO/JAPANESE)	1		
	36684040000	METER,LOAD (2.9TON KUSABA/JAPANESE)	1		
13	(*****)	OUTRIGGER (L=471,CASE:L=1892/FOR 4TON)	1		
	(*****)	OUTRIGGER (L=601,MIN=1440/FOR 7TON)	1		

www.AutoEPC.com

TM-ZE300 41044507044A FRAME/HOOK-IN(AWL)
PL1011155-00 OPE.ASSY,CONT.VALVE

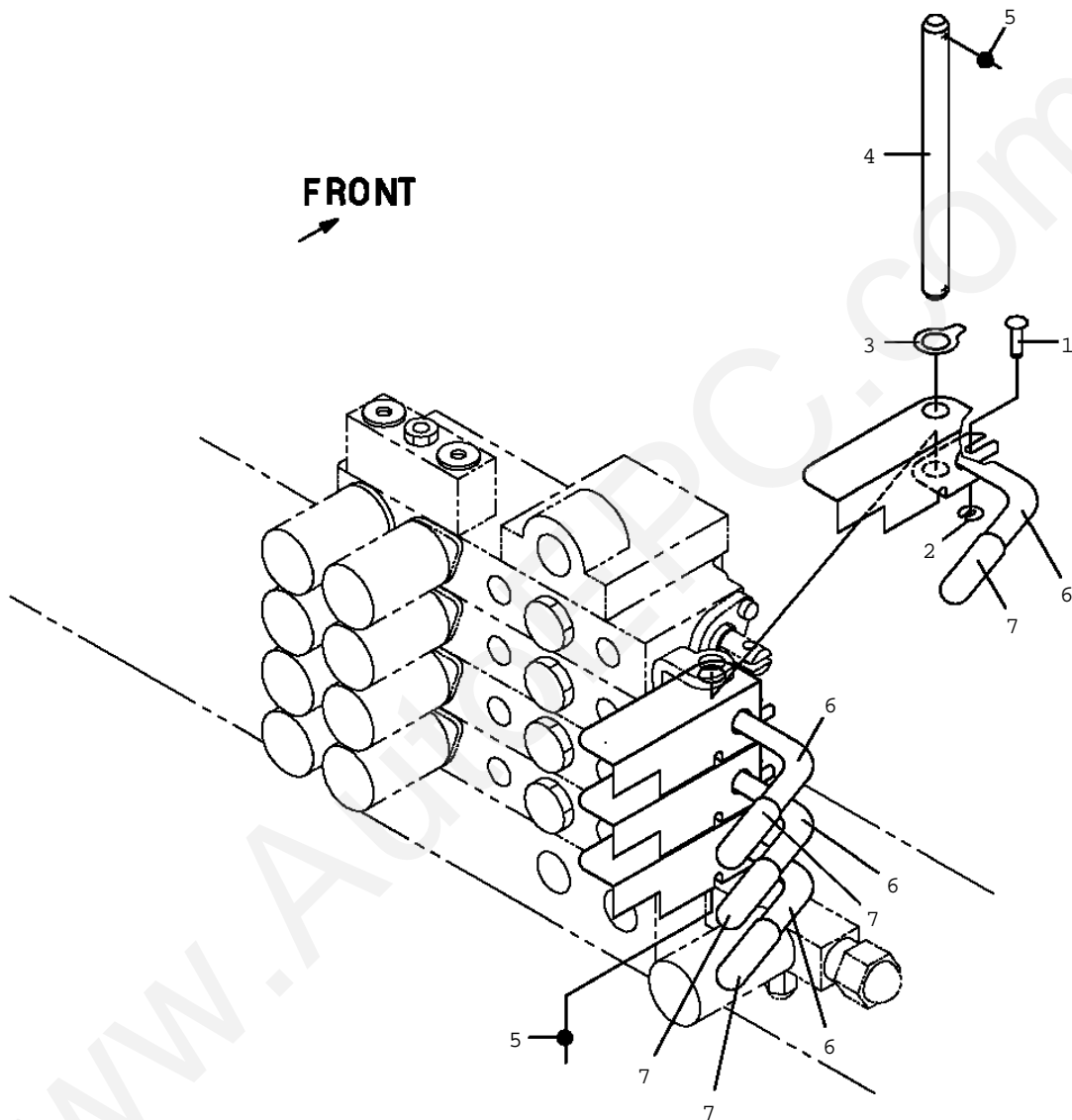


TM-ZE300 41044507044A FRAME/HOOK-IN(AWL)

Pos No.	Parts No	Parts Name	Qty	Unit	Technical Data	Serial No (Start)	Serial :
1	31703390100	SUPPORT	1				
2	37000147840	PIN	1				
3	80620210050	PIN,SNAP	1				
4	37000165020	PIN	1				
5	80136340020	PIN,SPLIT	1		4X20		
6	31324860801	KNOB (BLACK)	1				
7	31703390200	LEVER	1				
8	31322224200	PLATE	1		L=1		

www.AutoEPC.com

TM-ZE300 41044507044A FRAME/HOOK-IN(AWL)
PL1011156-00 OPE.ASSY,CONT.VALVE

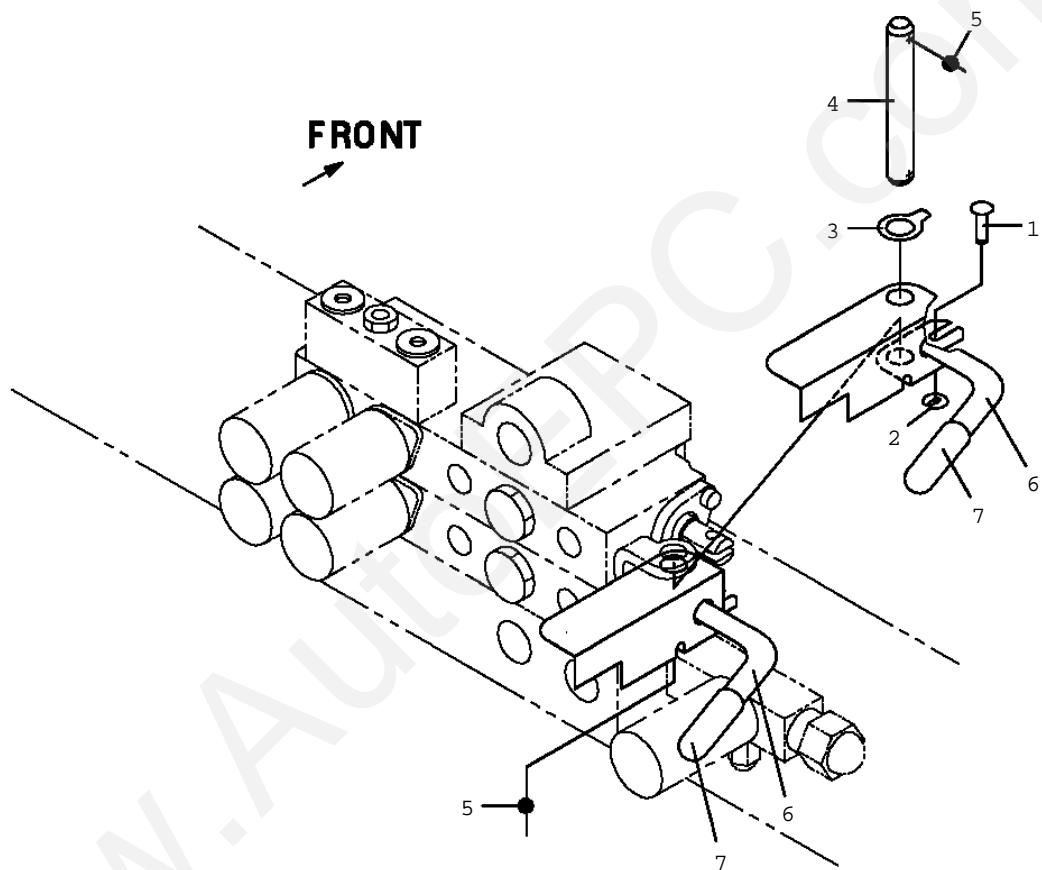


TM-ZE300 41044507044A FRAME/HOOK-IN(AWL)

Pos No.	Parts No	Parts Name	Qty	Unit	Technical Data	Serial No (Start)	Serial No (End)
1	37000105050	PIN	4				
2	80650100030	RING,RETAINING	4				
3	31322224200	PLATE	1		L=1		
4	37000157220	PIN	1				
5	80136840020	PIN,SPLIT	2		4X20		
6	31703400100	LEVER	4				
7	82400000527	CAP	4				

www.AutoEPC.com

TM-ZE300 41044507044A FRAME/HOOK-IN(AWL)
PL1011157-00 OPE.ASSY,CONT.VALVE

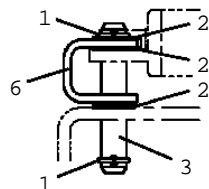
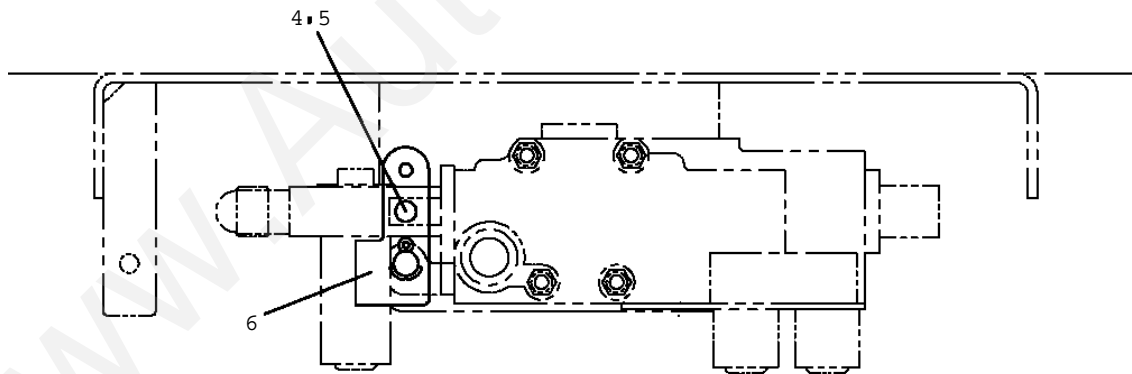
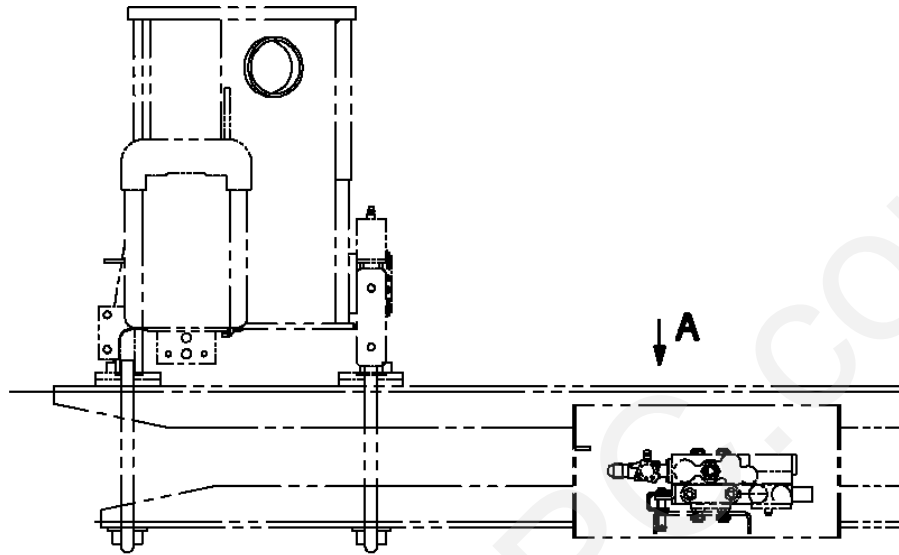


TM-ZE300 41044507044A FRAME/HOOK-IN(AWL)

Pos No.	Parts No	Parts Name	Qty	Unit	Technical Data	Serial No (Start)	Serial No (End)
1	37000105050	PIN	2				
2	80650100030	RING,RETAINING	2				
3	31322224200	PLATE	1		L=1		
4	37000110190	PIN	1				
5	80136840020	PIN,SPLIT	2		4X20		
6	31703400100	LEVER	2				
7	82400000527	CAP	2				

www.AutoEPC.com

TM-ZE300 41044507044A FRAME/HOOK-IN(AWL)
PL1011180-00 OPE.ASSY,CONT.VALVE



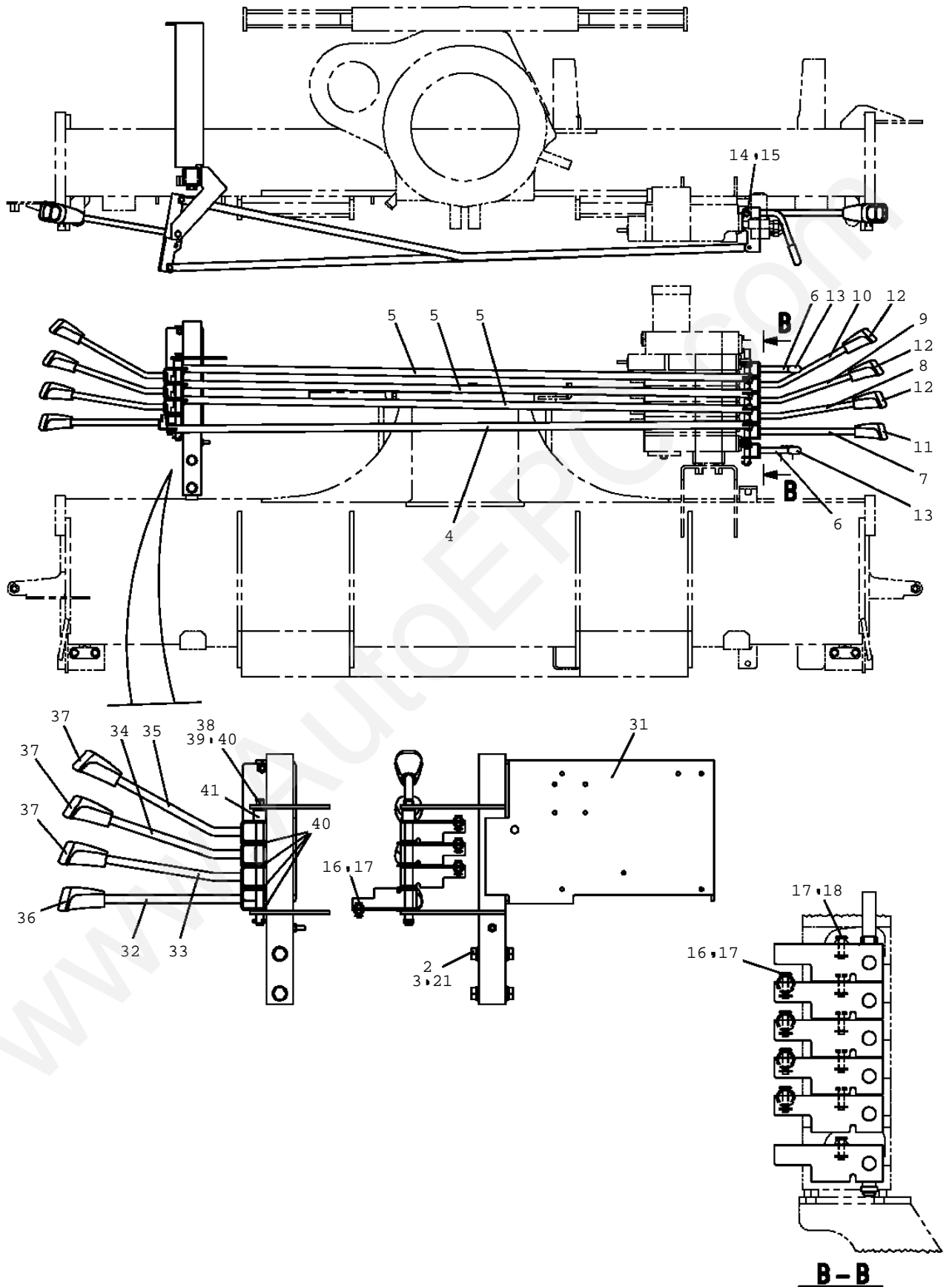
A

TM-ZE300 41044507044A FRAME/HOOK-IN(AWL)

Pos No.	Parts No	Parts Name	Qty	Unit	Technical Data	Serial No (Start)	Serial No
1	80136840020	PIN,SPLIT	2		4X20		
2	31322224200	PLATE	3		L=1		
3	37000119090	PIN	1				
4	37000105610	PIN	1		L=18		
5	80136820010	PIN,SPLIT	1				
6	31730933500	SUPPORT	1				

www.AutoEPC.com

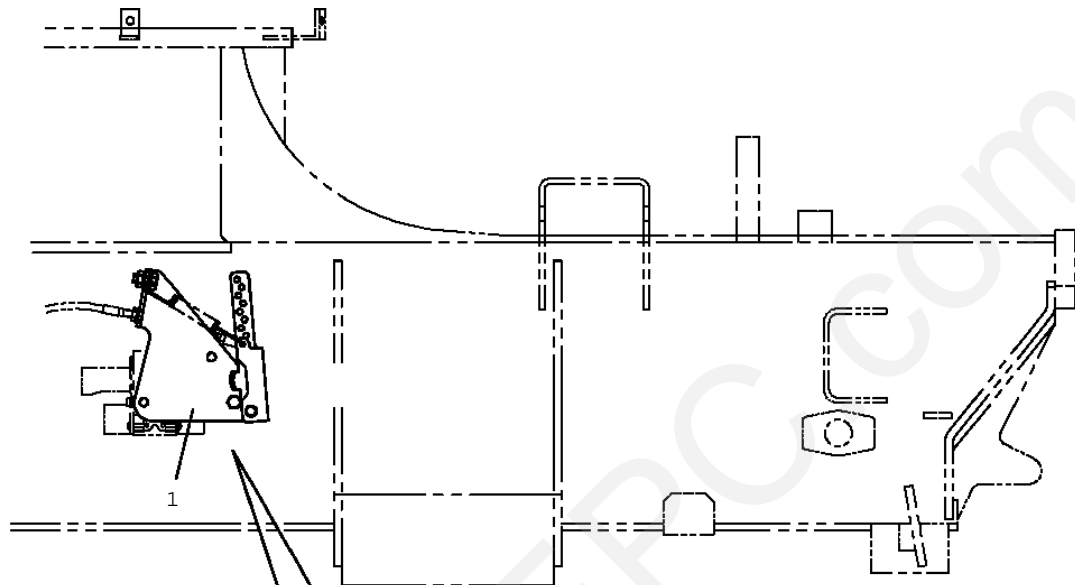
TM-ZE300 41044507044A FRAME/HOOK-IN(AWL)
PL1011223-00 OPE.ASSY,CONT.VALVE



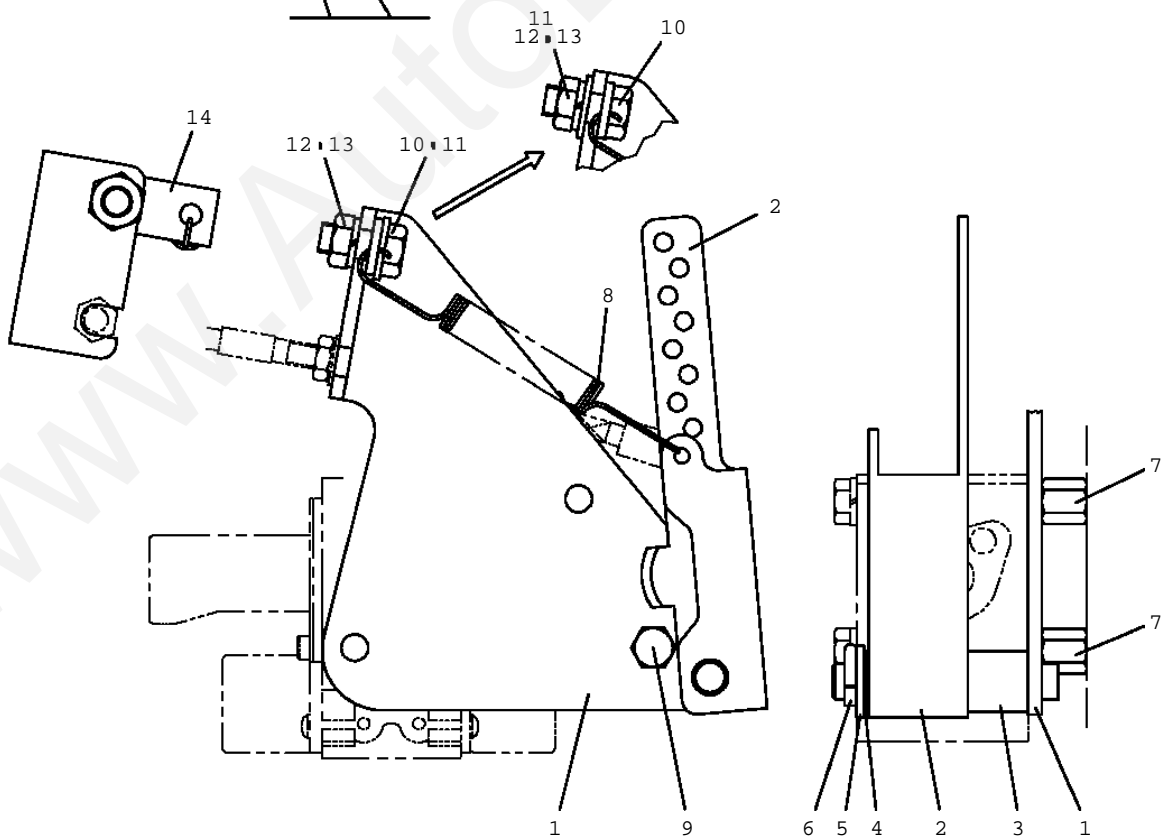
TM-ZE300 41044507044A FRAME/HOOK-IN(AWL)

Pos No.	Parts No	Parts Name	Qty	Unit	Technical Data	Serial No (Start)	Serial No (End)
2	90303071001	WASHER,PLAIN	4		10		
3	90171110018	BOLT	4		M10X18		
4	31324866000	ROD	1				
5	31324867000	ROD	3				
6	31324860101	LEVER	2				
7	31324860401	LEVER	1				
8	31324990300	LEVER	1				
9	31324990400	LEVER	1				
10	31324990500	LEVER	1				
11	31324860701	KNOB (RED)	1				
12	31324860801	KNOB (BLACK)	3				
13	82400000527	CAP	2				
14	37000164930	PIN	1				
15	80136840020	PIN,SPLIT	1		4X20		
16	37000105040	PIN	8				
17	80650100030	RING,RETAINING	14				
18	37000105050	PIN	6				
21	90302041001	WASHER,SPRING	4		10		
31	31324861101	SUPPORT	1				
32	31324860401	LEVER	1				
33	31324990300	LEVER	1				
34	31324990400	LEVER	1				
35	31324990500	LEVER	1				
36	31324860701	KNOB (RED)	1				
37	31324860801	KNOB (BLACK)	3				
38	37000100190	PIN	1				
39	80136840020	PIN,SPLIT	1		4X20		
40	31322224200	PLATE	4		L=1		
41	37000311190	SPACER	1		L=16		

TM-ZE300 41044507044A FRAME/HOOK-IN(AWL)
PL1031152-01 OPE.ASSY,ACCELERATOR



車両前方から見る

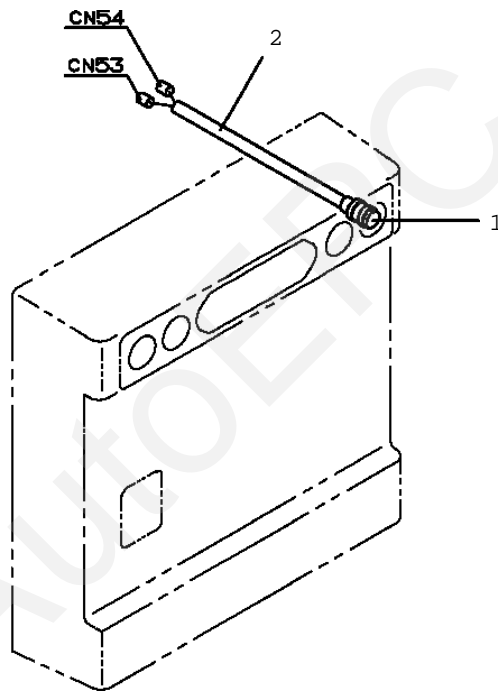


TM-ZE300 41044507044A FRAME/HOOK-IN(AWL)

Pos No.	Parts No	Parts Name	Qty	Unit	Technical Data	Serial No (Start)	Serial
1	31323144200	SUPPORT	1				
2	31323144300	LINK	1				
3	37000311490	SPACER	1		L=20		
4	3132224200	PLATE	1		L=1		
5	90303071201	WASHER, PLAIN	1		12		
6	80136840020	PIN, SPLIT	1		4X20		
7	37001600860	NUT	3		M8X15		
8	37001300530	SPRING	1				
9	90186208016	BOLT, FLANGE	1		M8X16		
10	90101210020	BOLT	1		M10X20		
11	90303071001	WASHER, PLAIN	1		10		
12	90201201000	NUT	1		M10		
13	90302041001	WASHER, SPRING	1		10		
14	31322490100	PLATE	1				

www.AutoEPC.com

TM-ZE300 41044507044A FRAME/HOOK-IN(AWL)
PL5020025-00 LAMP ASSY (ALARM/RED)



TM-ZE300 41044507044A FRAME/HOOK-IN(AWL)

Pos No.	Parts No	Parts Name	Qty	Unit	Technical Data	Serial No (Start)
1	31361942200	LAMP ASSY (LED:RED)	1			
2	31361942400	COVER	1		L=180	

www.AutoEPC.com

TM-ZE300 41044507044A FRAME/HOOK-IN(AWL)

PL5020033-00 LAMP ASSY(HEIGHT LIMIT/ OVERLOADING WARNING:JR

指示番号 KEY NO.	ランプ ASSY (タカサセイゲ ン/カフカケイコク:JRトウカイ) LAMP ASSY (HEIGHT LIMIT/OVERLOADING WARNING:JR TOUKAI)
1	ハイセンASSY (ホ ストフ) ELEC.ASSY (POST)
2	ハイセンASSY (ランプ フ) ELEC.ASSY (LAMP)

TM-ZE300 41044507044A FRAME/HOOK-IN(AWL)

Pos No.	Parts No	Parts Name	Qty	Unit	Technical Data	Serial No (Start)	S
1	(*****)	ELEC.ASSY (POST)	1				
2	(*****)	ELEC.ASSY (LAMP)	1				

www.AutoEPC.com

TM-ZE300 41044507044A FRAME/HOOK-IN(AWL)
PL5020046-00 LAMP ASSY (LED19W BOOM WORKING)

指示番号 KEY NO.	ランプ ASSY (LED19Wブームワーキング) LAMP ASSY (LED19W BOOM WORKING)
1	ハイセンASSY (フレーム) ELEC.ASSY (FRAME)
2	ハイセンASSY (ホーストブ / リレーボックス) ELEC.ASSY (POST/RELAY BOX)
3	ハイセンASSY (ブーム / LEDランプ) ELEC.ASSY (BOOM/LED LAMP)

TM-ZE300 41044507044A FRAME/HOOK-IN(AWL)

Pos No.	Parts No	Parts Name	Qty	Unit	Technical Data	Serial No
1	(*****)	ELEC.ASSY (FRAME)	1			
2	(*****)	ELEC.ASSY (POST/RELAY BOX)	1			
3	(*****)	ELEC.ASSY (BOOM/LED LAMP)	1			

www.AutoEPC.com

TM-ZE300 41044507044A FRAME/HOOK-IN(AWL)

PL5020069-00 LAMP ASSY (LED19W BOOM WORKING: W/O SAFETY DEV

ランプ ASSY

(LED19Wブームワーキング :アンセ ンソウチナシ)

LAMP ASSY

(LED19W BOOM WORKING:W/O SAFETY DEVICES)

【組立名称一覧】より選択してください。

SEE THE CORRESPONDING "ASSEMBLY NAME" LIST.

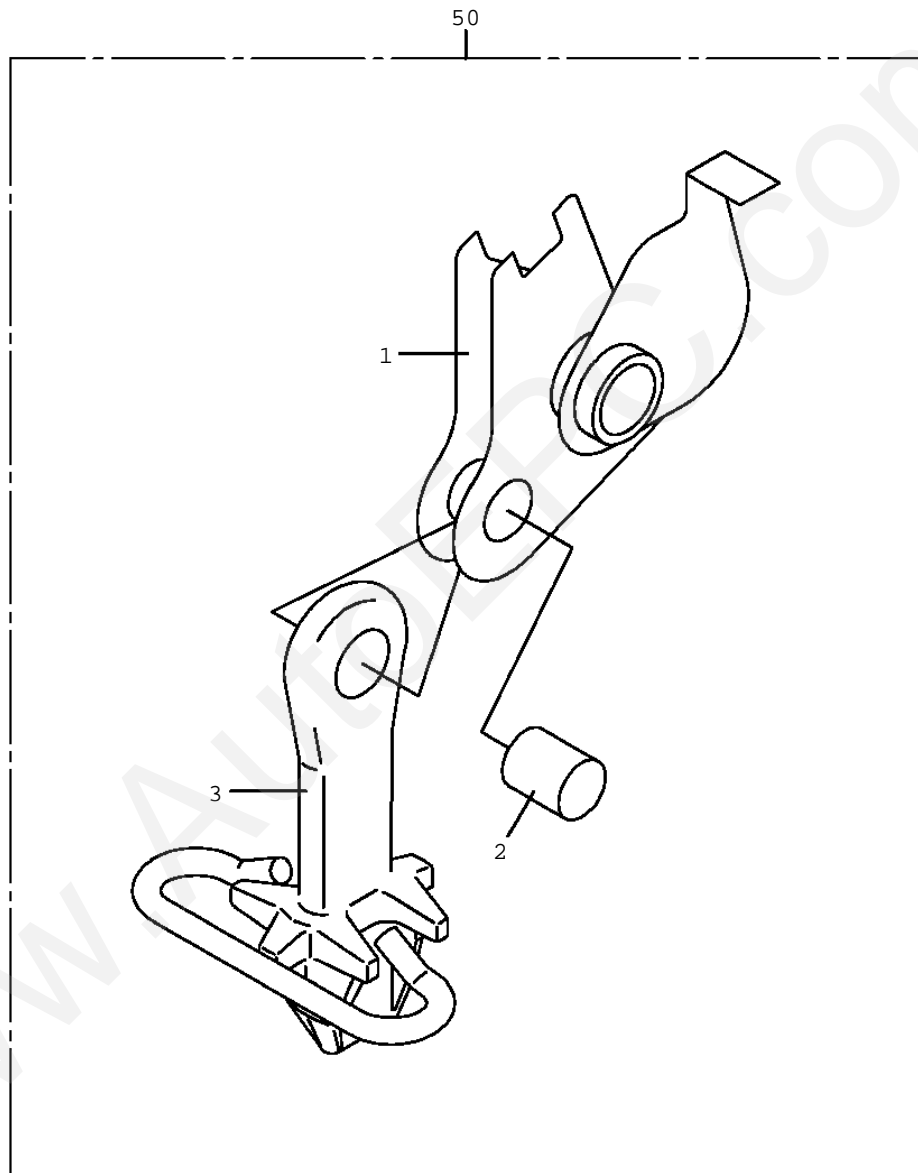
TM-ZE300 41044507044A FRAME/HOOK-IN(AWL)

Pos No.	Parts No	Parts Name	Qty	Unit	Technical Data	Serial No (
1	(*****)	ELEC.ASSY (LOWER)	1			
2	(*****)	ELEC.ASSY (BOOM/LED LAMP)	1			

www.AutoEPC.com

TM-ZE300 41044507044A FRAME/HOOK-IN(AWL)

PL5250017-01 LINK ASSY(PREVENTION OF WIRE LOSER/ZE3047H,305



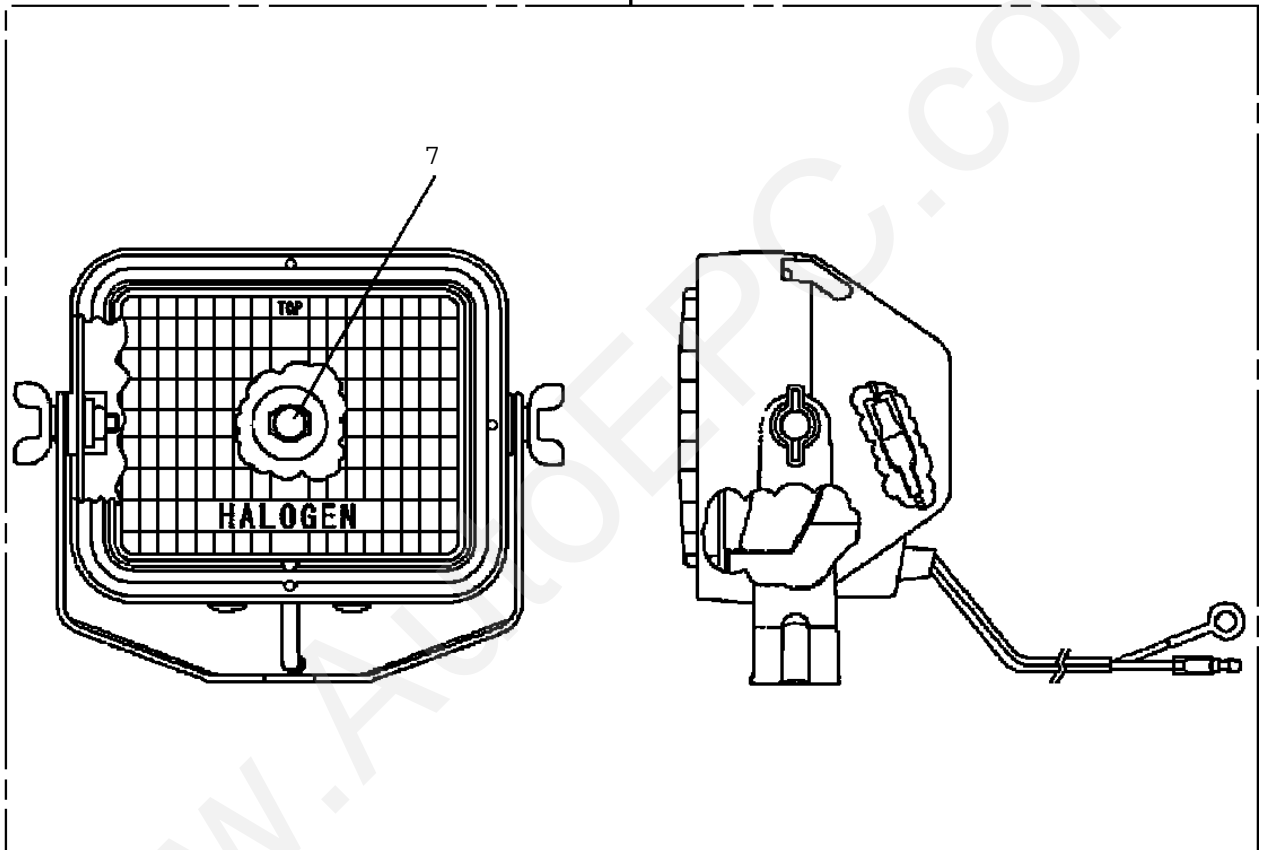
TM-ZE300 41044507044A FRAME/HOOK-IN(AWL)

Pos No.	Parts No	Parts Name	Qty	Unit	Techni
1	31503110200	SPACER	1		
2	31201565200	PIN	1		
3	31202515700	LINK	1		
50	31503110000	LINK ASSY(PREVENTION OF WIRE LOSER/ZE3047H,305H)	1		

www.AutoEPC.com

TM-ZE300 41044507044A FRAME/HOOK-IN(AWL)
PL5330004-00 LAMP

100

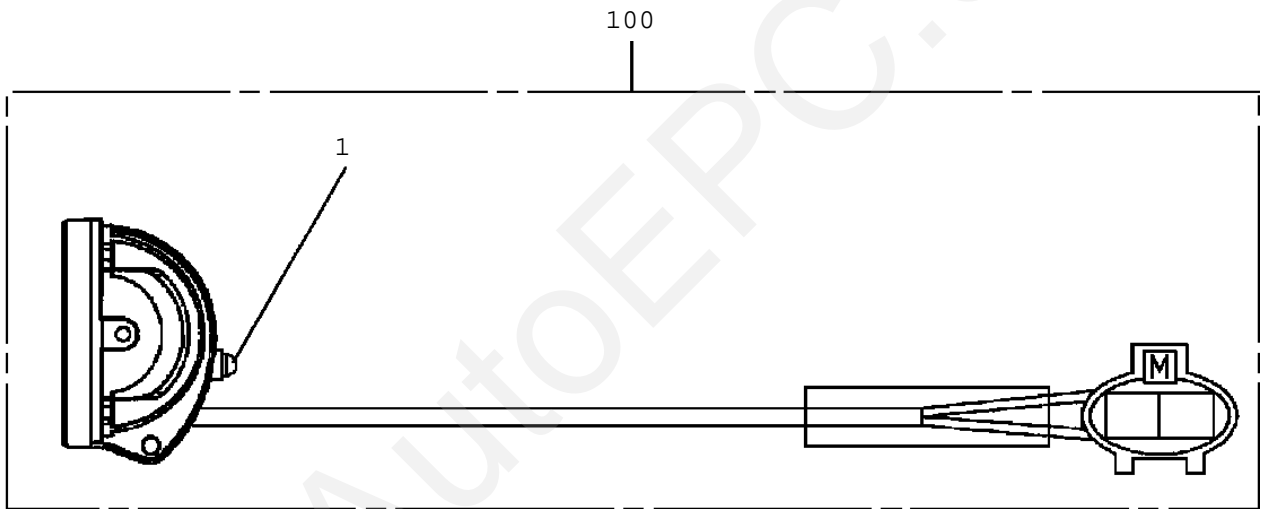


TM-ZE300 41044507044A FRAME/HOOK-IN(AWL)

Pos No.	Parts No	Parts Name	Qty	Unit	Technical Data	Serial No (Start)	Serial No (End)
7	82165904190	BULB,LAMP	1		HALOGEN 24V 55W H3		
100	82165904160	LAMP	1				

www.AutoEPC.com

TM-ZE300 41044507044A FRAME/HOOK-IN(AWL)
PL5330009-00 LAMP

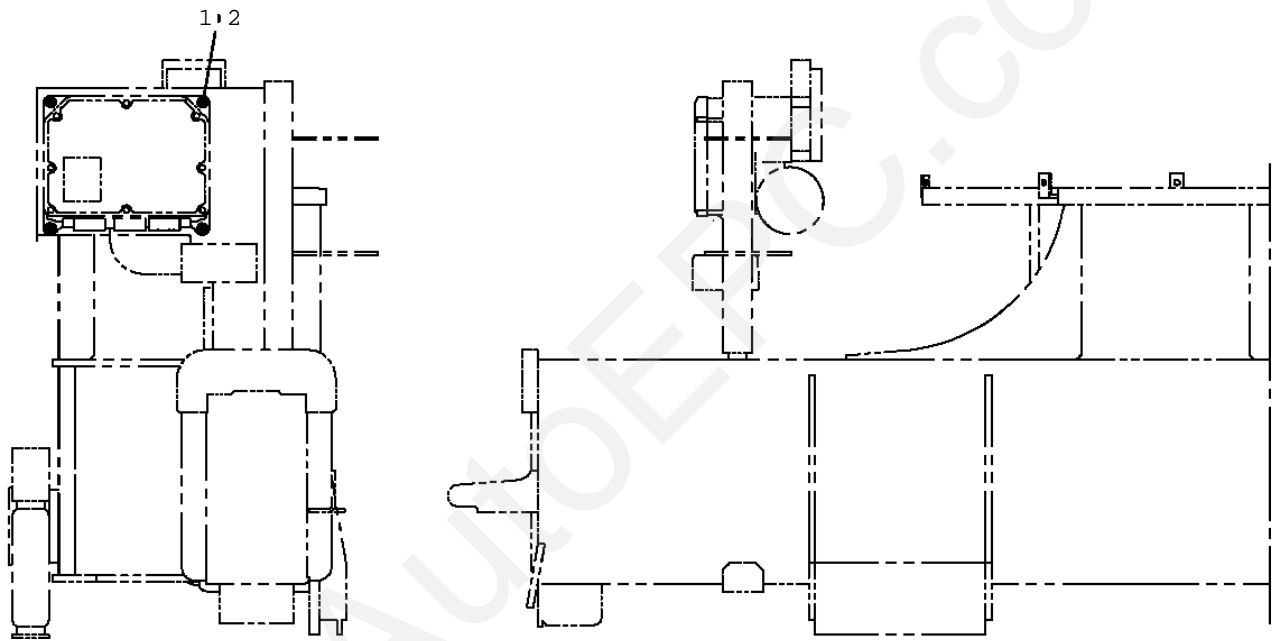


TM-ZE300 41044507044A FRAME/HOOK-IN(AWL)

Pos No.	Parts No	Parts Name	Qty	Unit	Technical Data	Serial No (Start)	Serial No
1	82165700015	CAP	1				
100	82165700010	LAMP	1				

www.AutoEPC.com

TM-ZE300 41044507044A FRAME/HOOK-IN(AWL)
PN1014534-00 ELEC.ASSY (CONTROL UNIT)

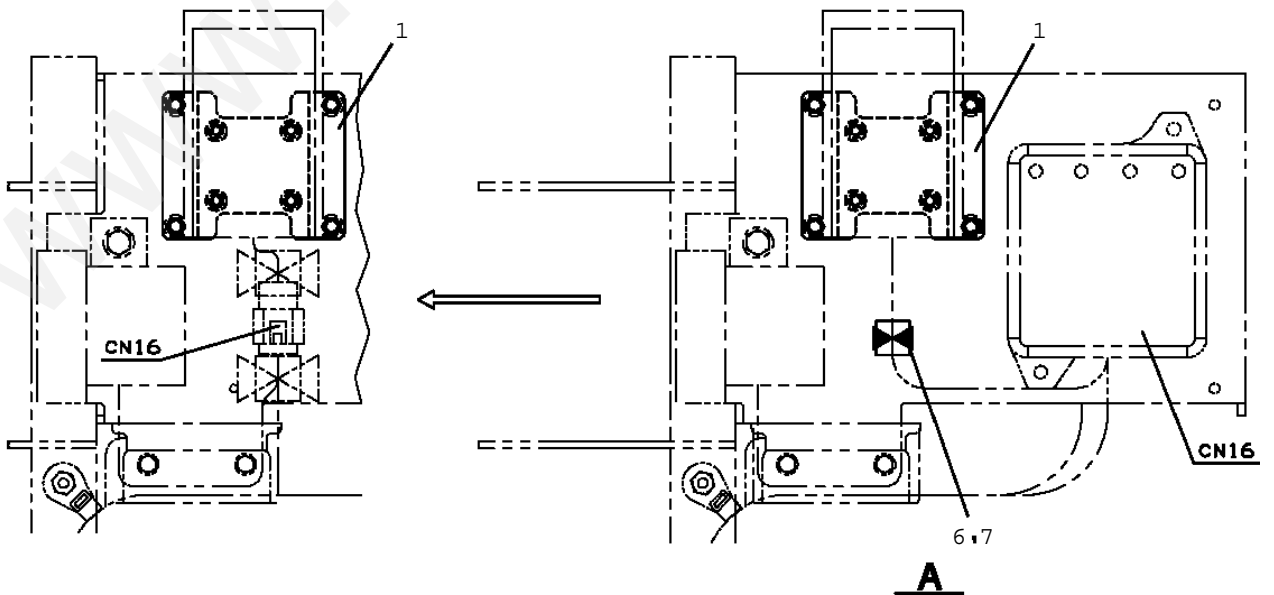
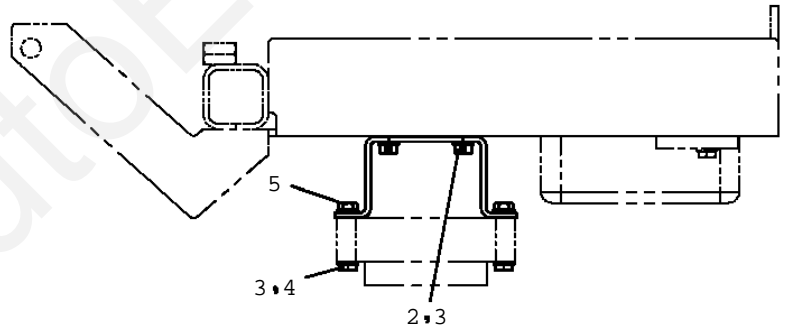
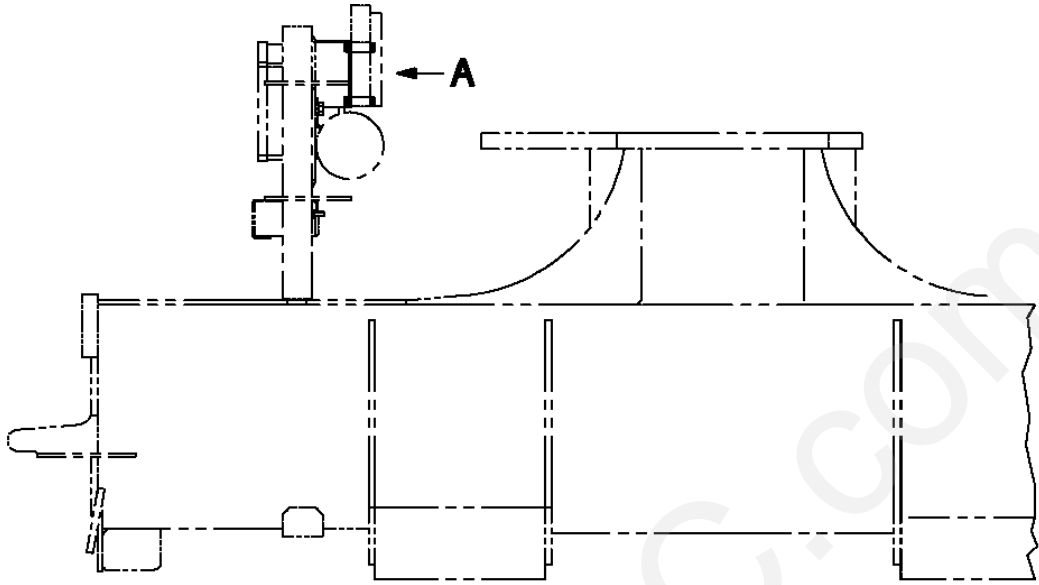


TM-ZE300 41044507044A FRAME/HOOK-IN(AWL)

Pos No.	Parts No	Parts Name	Qty	Unit	Technical Data	Serial No (Start)
1	90131506022	BOLT,HEXAGON SOCKET	4		M6X22	
2	90303070601	WASHER,PLAIN	4		6	

www.AutoEPC.com

TM-ZE300 41044507044A FRAME/HOOK-IN(AWL)
PN1014535-00 ELEC.ASSY (ANTENNA UNIT)

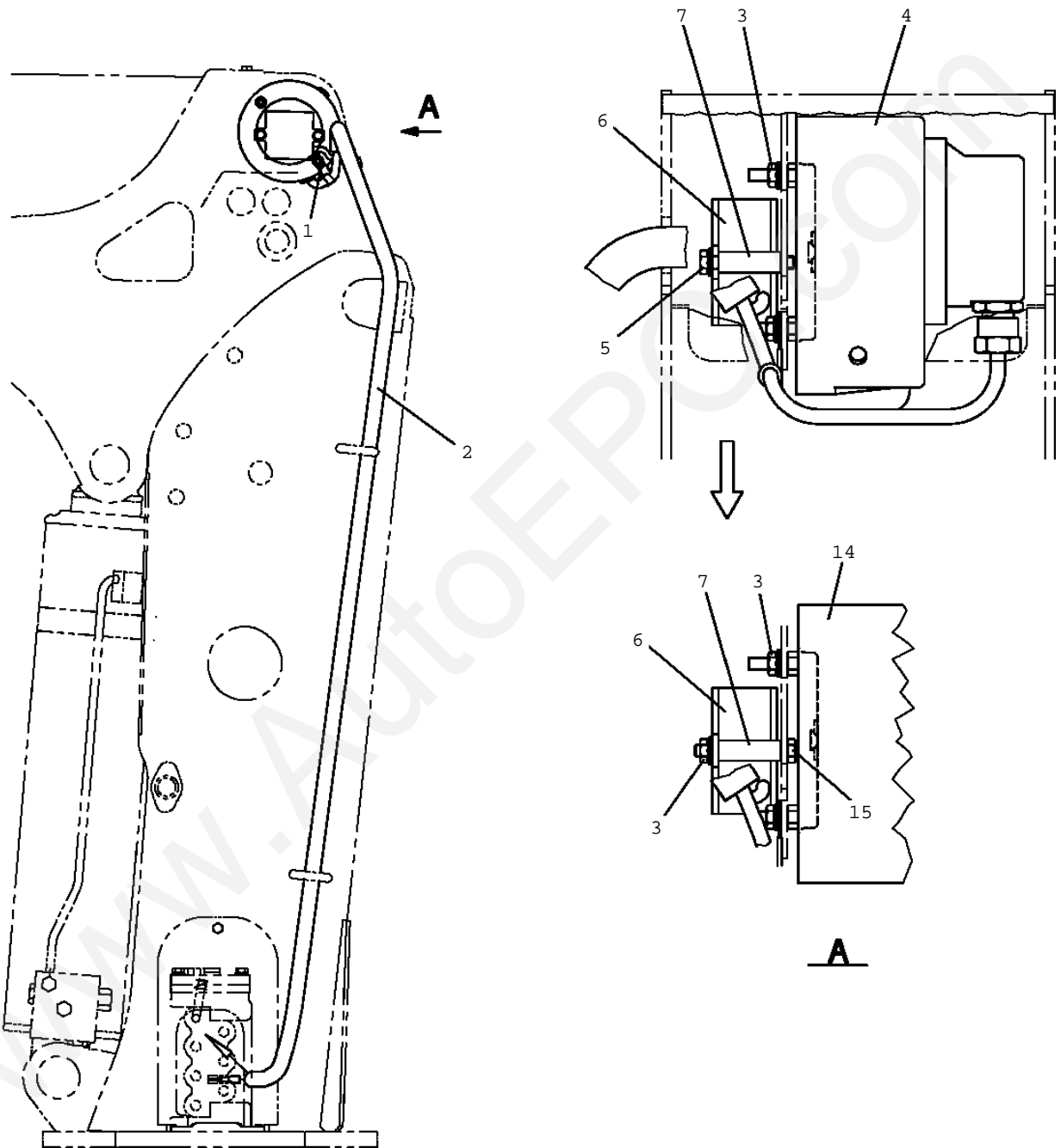


TM-ZE300 41044507044A FRAME/HOOK-IN(AWL)

Pos No.	Parts No	Parts Name	Qty	Unit	Technical Data	Serial No (Start)
1	36805825100	SUPPORT	1			
2	90131206010	BOLT,HEXAGON SOCKET	4		M6X10	
3	90303070601	WASHER,PLAIN	8		6	
4	90101206040	BOLT	4		M6X40	
5	90280200600	NUT,FLANGE	4		M6	

www.AutoEPC.com

TM-ZE300 41044507044A FRAME/HOOK-IN(AWL)
PN1014569-02 ELEC.ASSY (BOOM/DETECTOR ASSY)

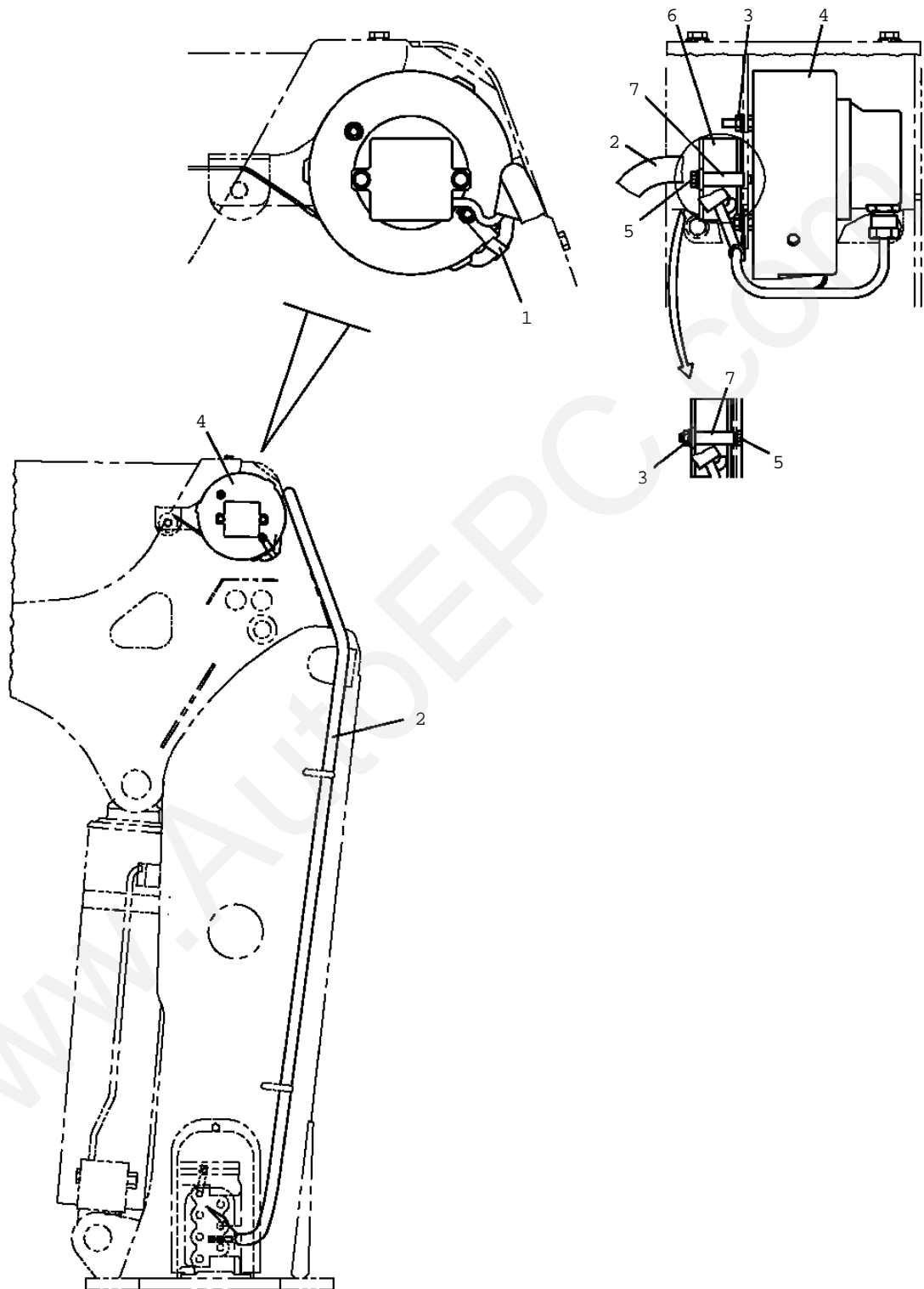


TM-ZE300 41044507044A FRAME/HOOK-IN(AWL)

Pos No.	Parts No	Parts Name	Qty	Unit	Technical Data	Serial No (
1	82100002052	CLAMP	1			
2	31360191010	COVER	1			
3	90280200600	NUT, FLANGE	4		M6	
6	36140660000	DETECTOR ASSY, ANGLE	1			
7	37000314890	SPACER	2		L=30	
14	36132380002	DETECTOR ASSY, LENGTH (BOOM)	1			
15	90101206045	BOLT	2		M6X45	

www.AutoEPC.com

TM-ZE300 41044507044A FRAME/HOOK-IN(AWL)
PN1014571-01 ELEC.ASSY (BOOM/DETECTOR ASSY)

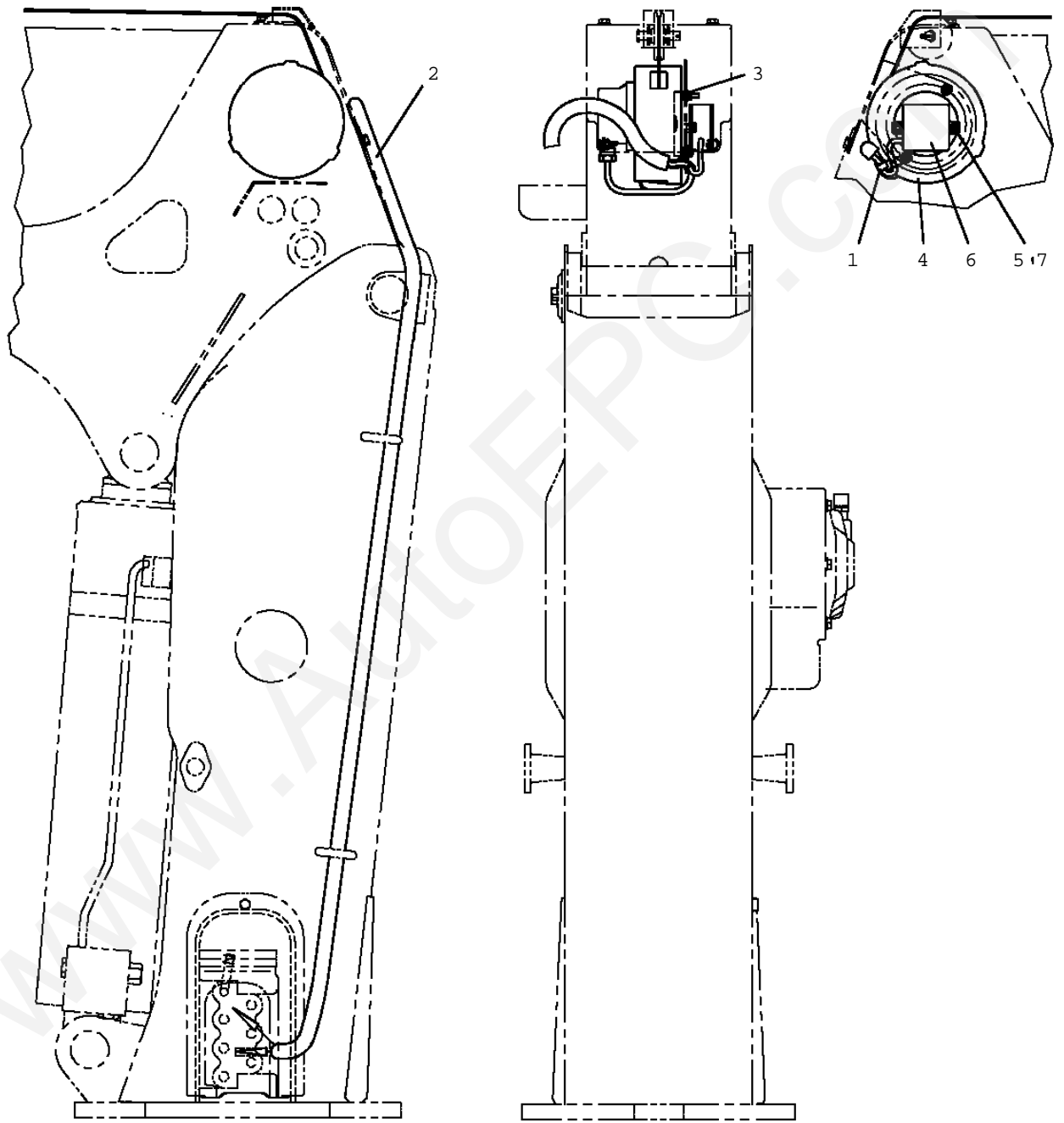


TM-ZE300 41044507044A FRAME/HOOK-IN(AWL)

Pos No.	Parts No	Parts Name	Qty	Unit	Technical Data	Serial No (
1	82100002052	CLAMP	1			
2	31360191010	COVER	1			
3	90280200600	NUT, FLANGE	4		M6	
4	36132390002	DETECTOR ASSY, LENGTH (BOOM)	1			
5	90101206045	BOLT	2		M6X45	
6	36140660000	DETECTOR ASSY, ANGLE	1			
7	37000314890	SPACER	2		L=30	

www.AutoEPC.com

TM-ZE300 41044507044A FRAME/HOOK-IN(AWL)
PN1014572-00 ELEC.ASSY (BOOM/DETECTOR ASSY)

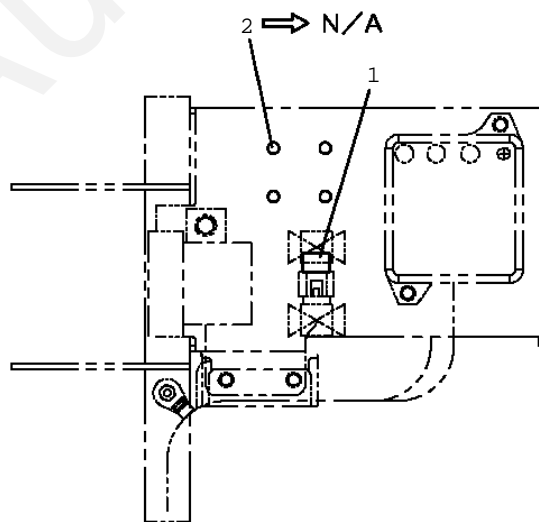
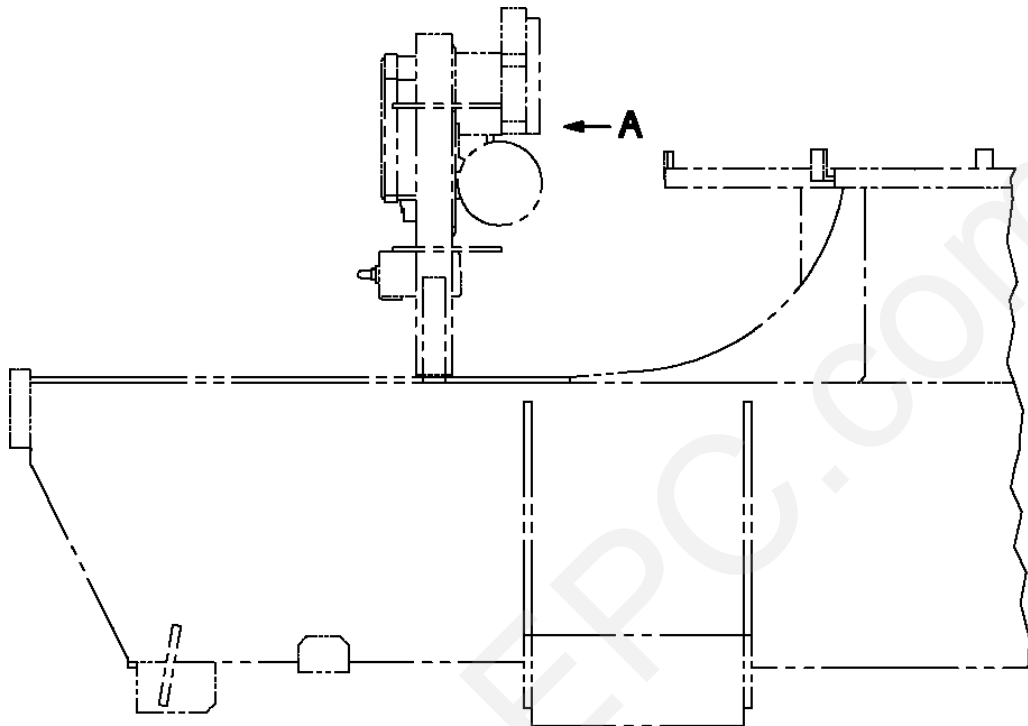


TM-ZE300 41044507044A FRAME/HOOK-IN(AWL)

Pos No.	Parts No	Parts Name	Qty	Unit	Technical Data	Serial No (
1	82100002052	CLAMP	1			
2	31360191010	COVER	1			
3	90280200600	NUT, FLANGE	2		M6	
4	36132390002	DETECTOR ASSY, LENGTH (BOOM)	1			
5	90101206010	BOLT	2		M6X1.0	
6	36140660000	DETECTOR ASSY, ANGLE	1			
7	90302040601	WASHER, SPRING	2		6	

www.AutoEPC.com

TM-ZE300 41044507044A FRAME/HOOK-IN(AWL)
PN1014576-01 ELEC.ASSY (PULG FOR ANTENNA UNIT)



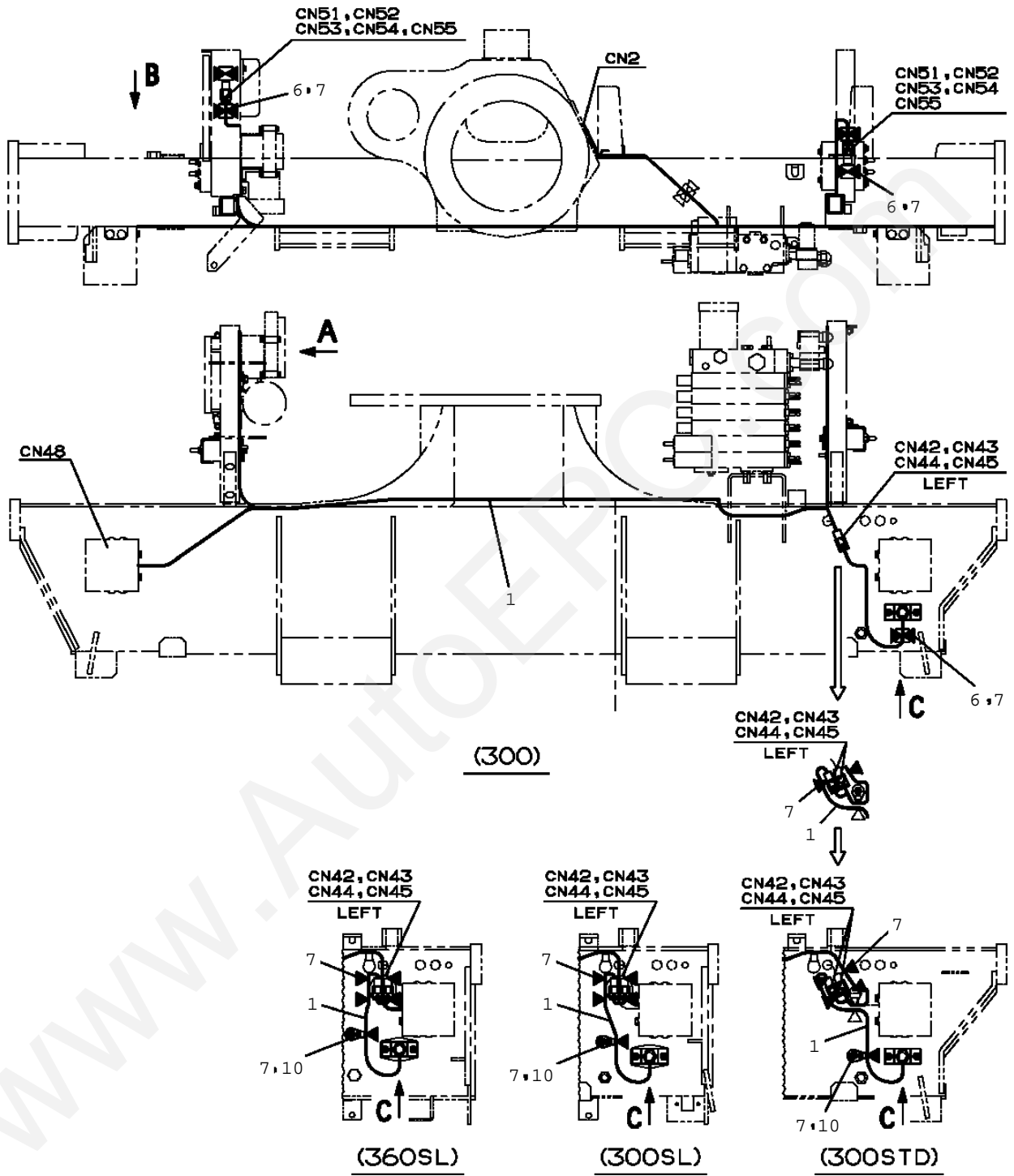
A

TM-ZE300 41044507044A FRAME/HOOK-IN(AWL)

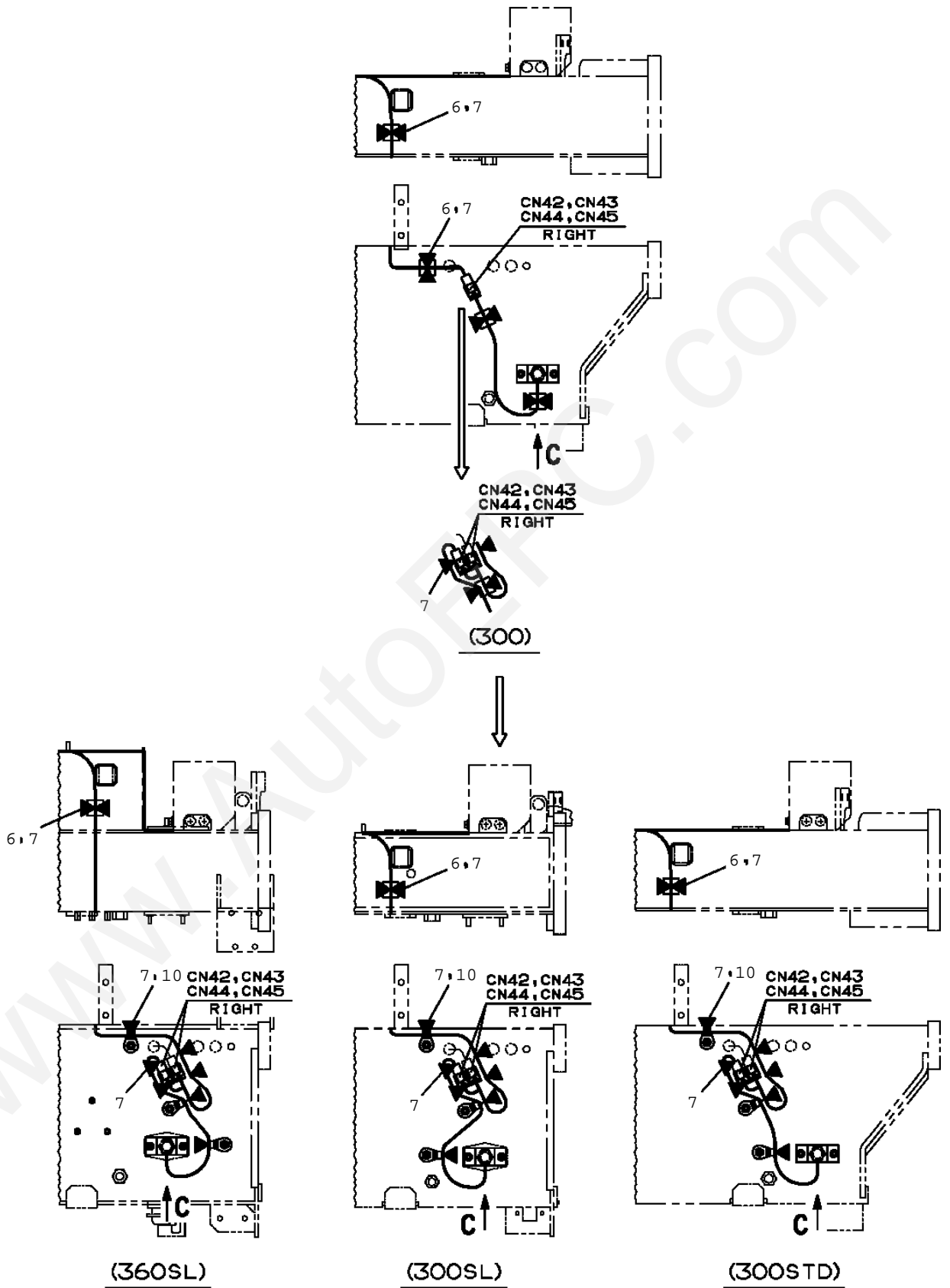
Pos No.	Parts No	Parts Name	Qty	Unit	Technical Data	Serial No (Start)	S
1	31653600500	PLUG (8POLES,MALE)	1				

www.AutoEPC.com

TM-ZE300 41044507044A FRAME/HOOK-IN(AWL)
 PN1014581-02 ELEC.ASSY (FRAME/SAFETY DEVICES)

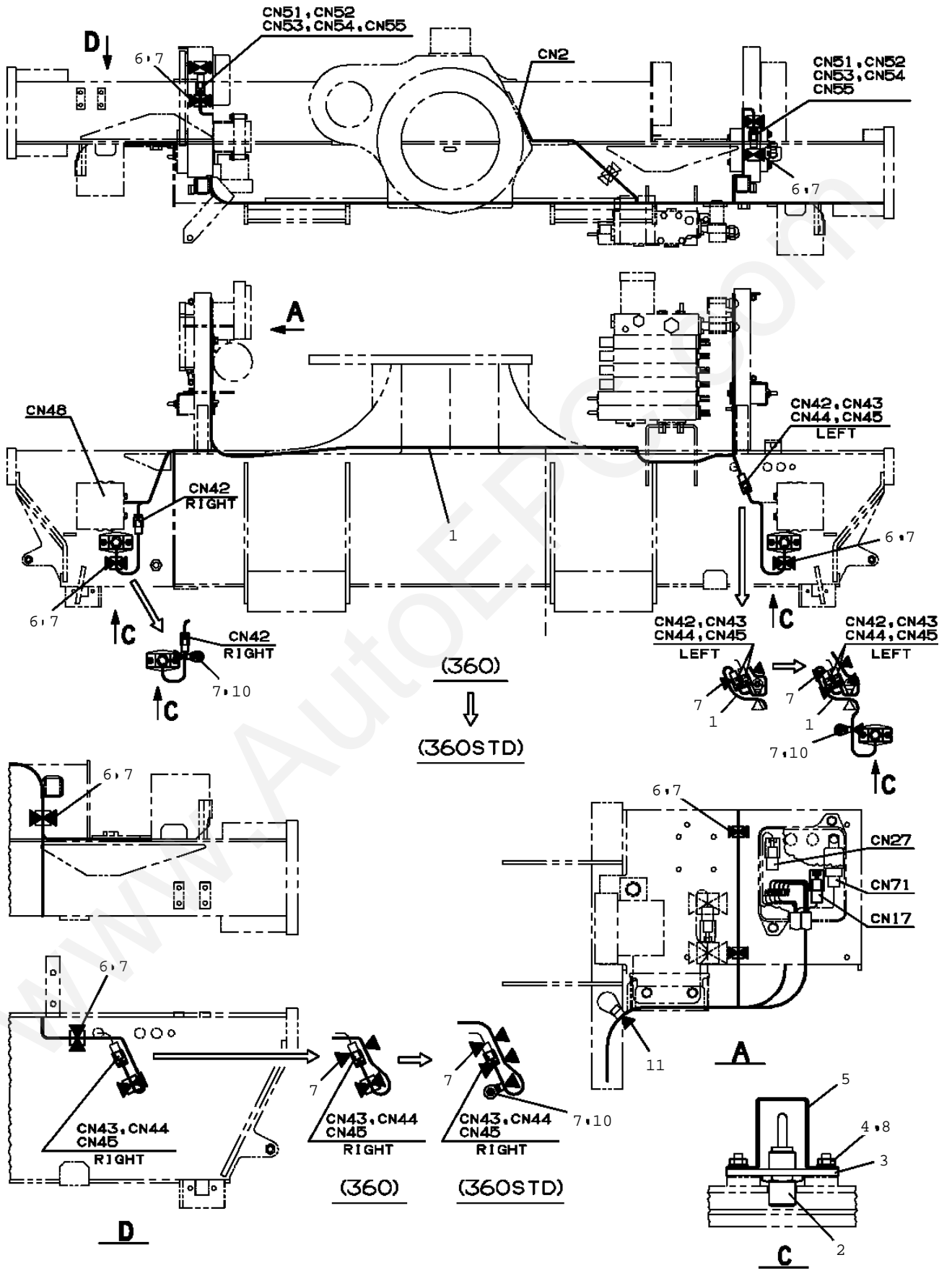


TM-ZE300 41044507044A FRAME/HOOK-IN(AWL)
 PN1014581-02 ELEC.ASSY (FRAME/SAFETY DEVICES)



B

TM-ZE300 41044507044A FRAME/HOOK-IN(AWL)
 PN1014581-02 ELEC.ASSY (FRAME/SAFETY DEVICES)

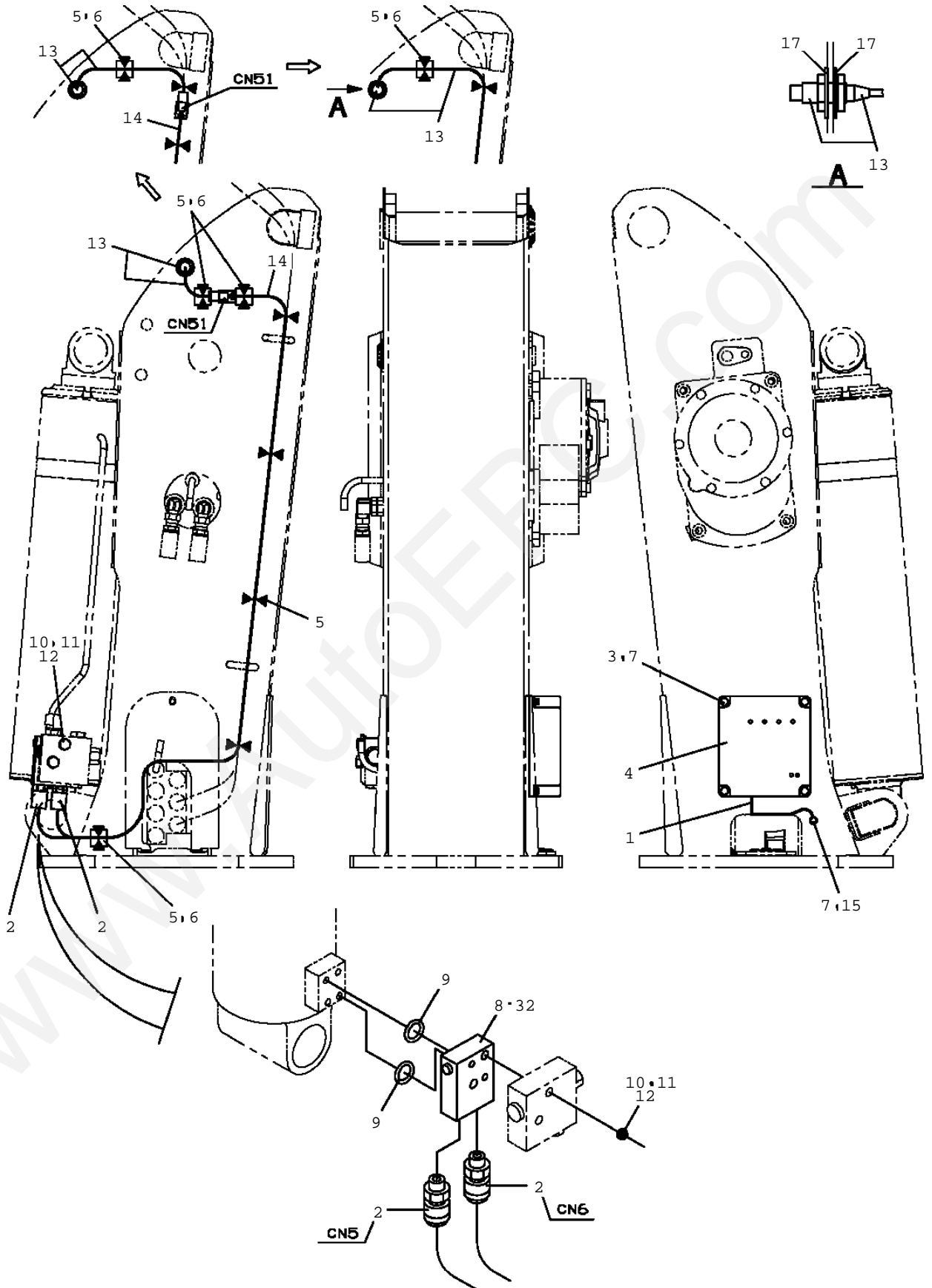


TM-ZE300 41044507044A FRAME/HOOK-IN(AWL)

Pos No.	Parts No	Parts Name	Qty	Unit	Technical Data	Serial No (Star
1	31361941101	HARNES	1			
2	82108501080	SWITCH	2			
3	31361941200	SUPPORT	2			
4	90201200600	NUT	4		M6	
5	31361941310	COVER	2			
6	91850310405	CLAMP (BLACK)	9			
7	91810130250	FASTENER	18			
8	90303070601	WASHER,PLAIN	4		6	
10	91850100802	CLAMP (STUD BOLT MOUNT)	4			
11	91810130270	FASTENER	1			

www.AutoEPC.com

TM-ZE300 41044507044A FRAME/HOOK-IN(AWL)
PN1014582-02 ELEC.ASSY (POST/SAFETY DEVICES)

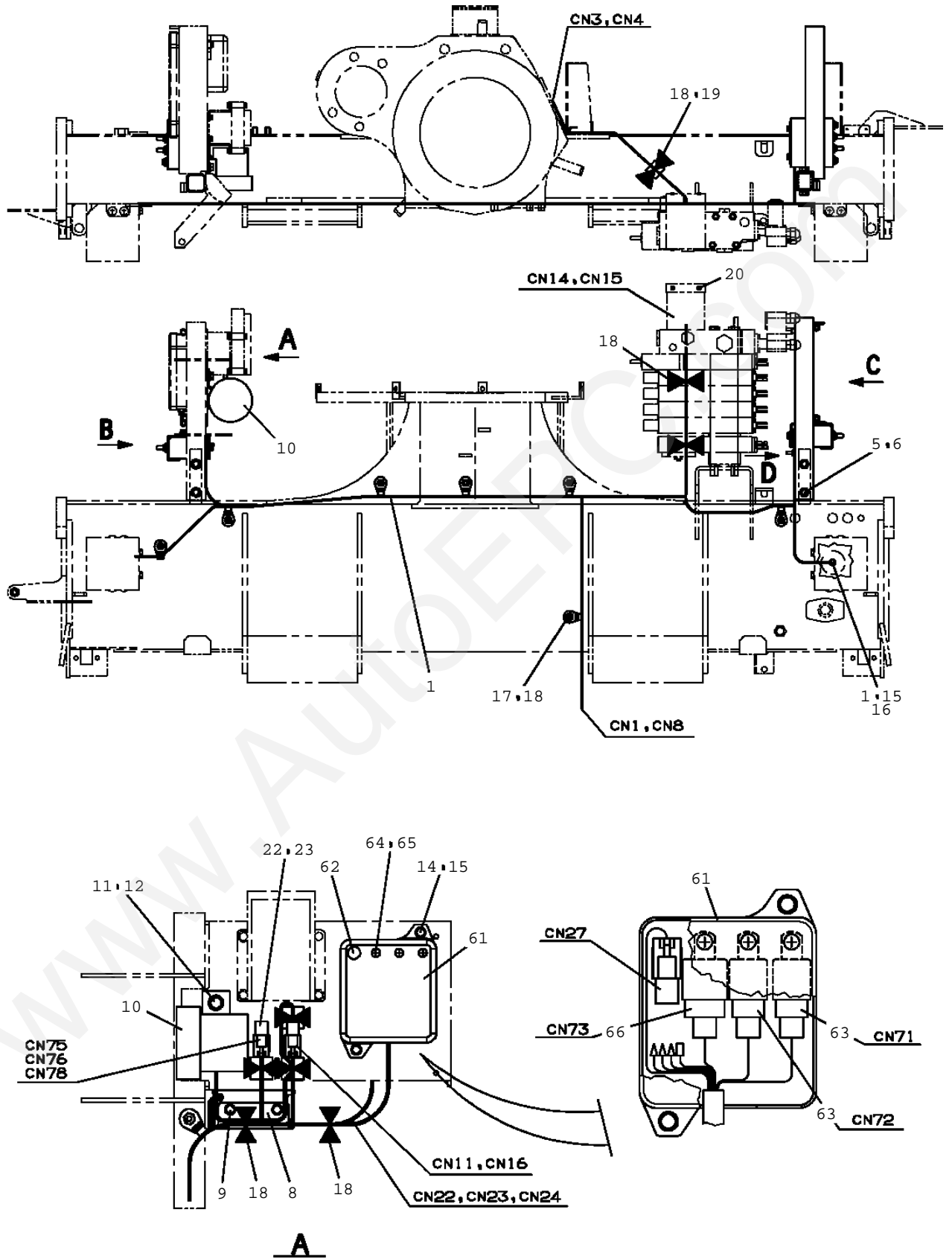


TM-ZE300 41044507044A FRAME/HOOK-IN(AWL)

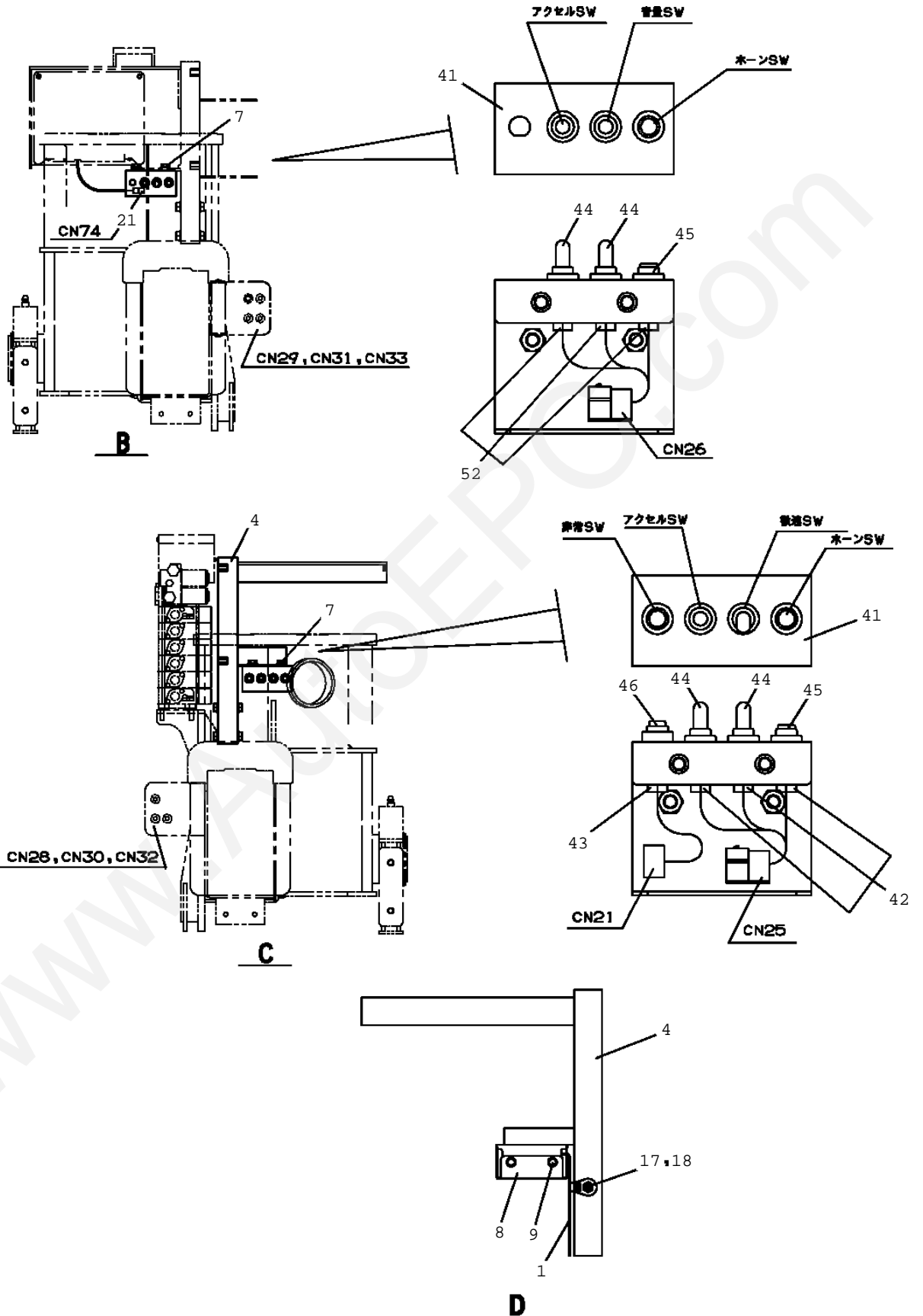
Pos No.	Parts No	Parts Name	Qty	Unit	Technical Data	Serial No (Start)
1	31361943101	HARNES	1			
2	36150070000	DETECTOR,LOAD	2			
3	90131506020	BOLT,HEXAGON SOCKET	4		M6X20	
4	36120580000	TRANSMITTER, SIGNAL	1			
5	91810130250	FASTENER	10			
6	91850310405	CLAMP (BLACK)	2			
7	90303070601	WASHER,PLAIN	5		6	
8	31361943200	JOINT	1			
9	91002801100	O-RING	2		1B P11	
10	90171110070	BOLT	2		M10X70	
11	90302041001	WASHER,SPRING	2		10	
12	90303071001	WASHER,PLAIN	2		10	
13	82108501340	SWITCH	1			
15	90101206014	BOLT	1		M6X14	
17	31860960300	SPACER	2		T=1.6	
32	80316030020	PLUG	1		PT1/8	

www.AutoEPC.com

TM-ZE300 41044507044A FRAME/HOOK-IN(AWL)
 PN1014610-00 ELEC.ASSY (PANEL SWICH)



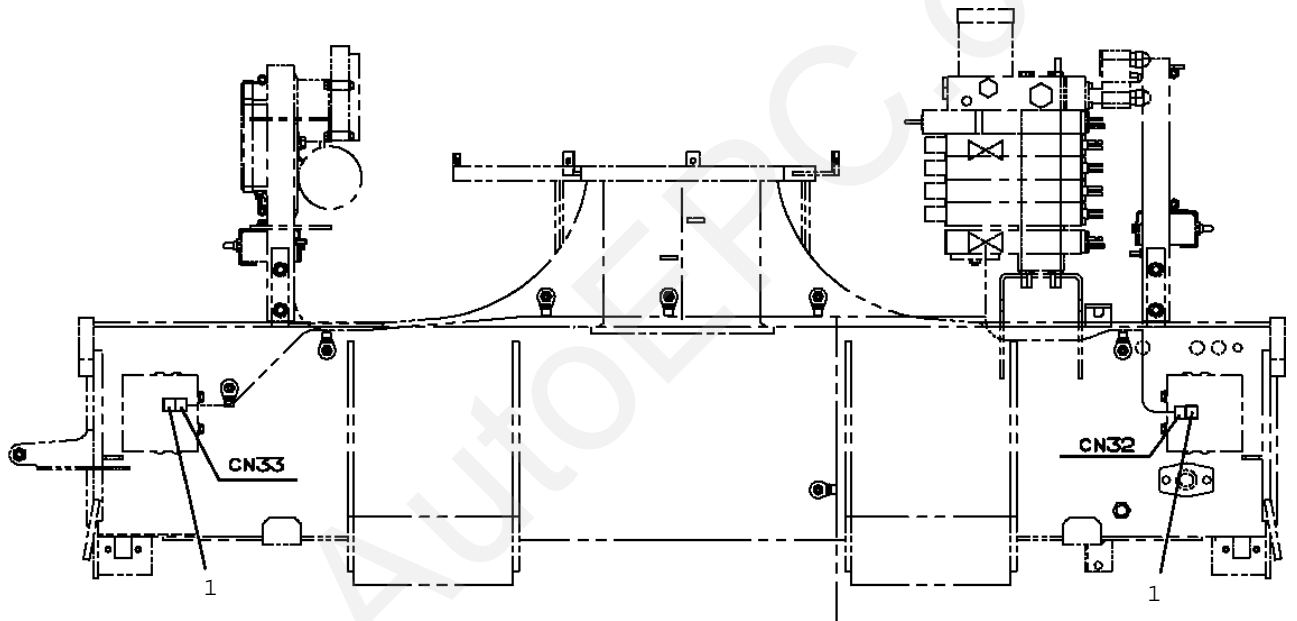
TM-ZE300 41044507044A FRAME/HOOK-IN(AWL)
 PN1014610-00 ELEC.ASSY (PANEL SWICH)



TM-ZE300 41044507044A FRAME/HOOK-IN(AWL)

Pos No.	Parts No	Parts Name	Qty	Unit	Technical Data
1	31656020100	HARNES	1		
4	31656010201	SUPPORT	1		
5	90171110018	BOLT	4		M10X18
6	90302041001	WASHER,SPRING	4		10
7	90186208014	BOLT,FLANGE	4		M8X14
8	31653241300	COVER	2		
9	90186206010	BOLT,FLANGE	4		M6X10
10	31657170700	SPEAKER	1		
11	90186210020	BOLT,FLANGE	1		M10X20
12	90280201000	NUT,FLANGE	1		M10
14	90101206014	BOLT	2		M6X14
15	90303070601	WASHER,PLAIN	3		6
16	90280200600	NUT,FLANGE	1		M6
17	91850100802	CLAMP (STUD BOLT MOUNT)	9		
18	91810130250	FASTENER	17		
19	91850310405	CLAMP (BLACK)	3		
20	80192483006	SCREW,MACHINE	4		M3X6
21	31656020200	CONNECTOR	1		
22	31474661600	PLUG (2-POES,MALE)	1		
23	31476751010	CONNECTOR	2		
41	31653243100	SUPPORT	2		
42	31656012120	SWITCH ASSY (GREEN:PANASONIC)	1		
	31656012111	SWITCH ASSY (PLATING:NACC)	1		
43	31656012211	SWITCH ASSY (PLATING:NACC)	1		
44	82197518119	CAP (PLUS ONE MFG./BLACK)	4		
	82197518114	CAP (MATSUSHITA/BLACK)	4		
45	82197600101	CAP (BLACK)	2		
46	82197600103	CAP (RED)	1		
52	31656013111	SWITCH ASSY (WITH HARNESS:PLATING/NACC)	1		
	31656013120	SWITCH ASSY (WITH HARNESS/PANASONIC)	1		
61	31656011200	COVER	1		
62	37002227560	PLATE,NAME (BLACK)	1		D=16
63	82100002596	RELAY	2		
64	90280200600	NUT,FLANGE	3		M6
65	80192486014	SCREW,MACHINE (WITH WASHER)	3		M6X14
66	82161201010	RELAY	1		

TM-ZE300 41044507044A FRAME/HOOK-IN(AWL)
PN1014612-00 ELEC.ASSY (SWITCH.PLUG/FRAME)

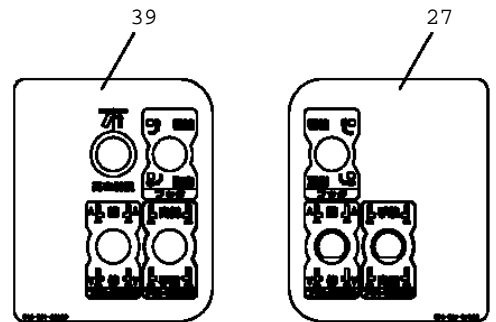
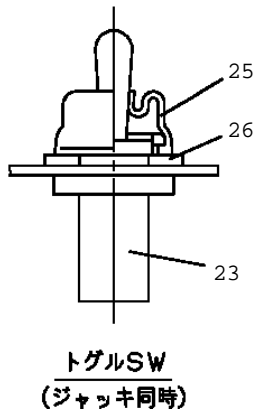
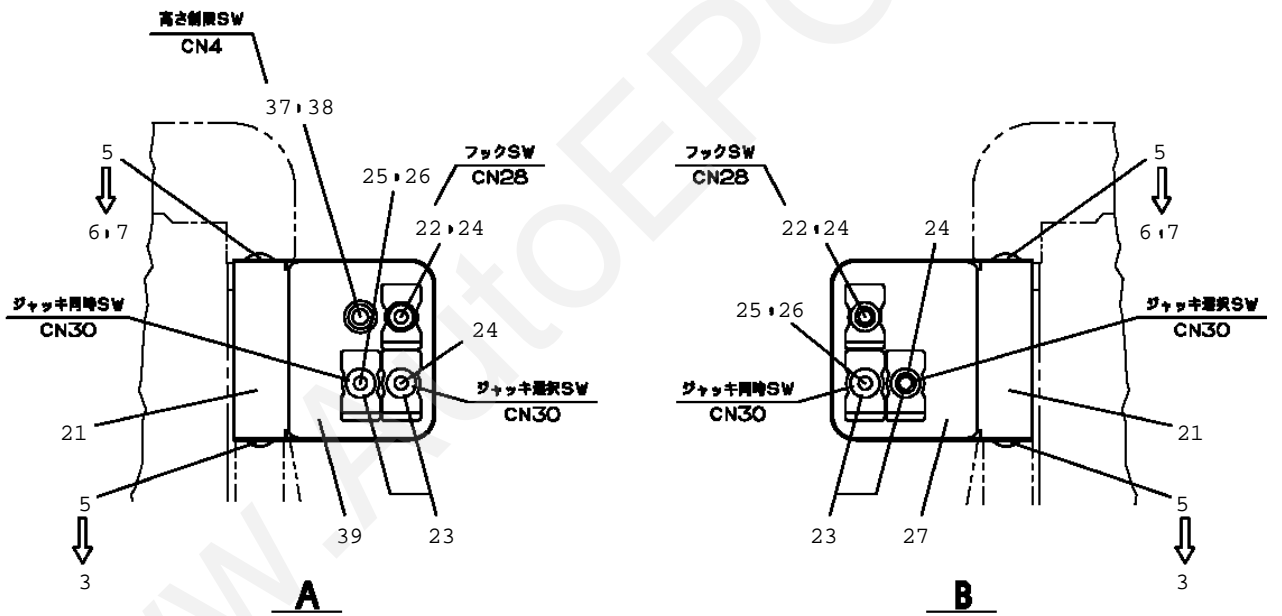
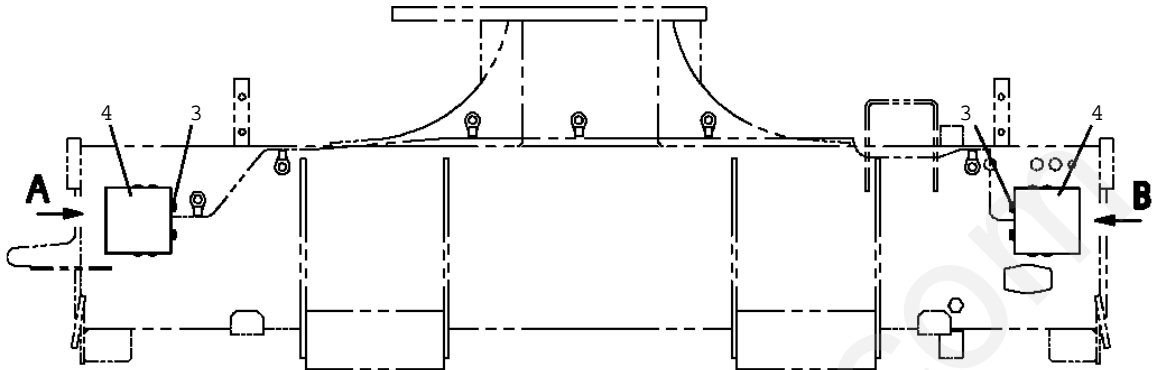


TM-ZE300 41044507044A FRAME/HOOK-IN(AWL)

Pos No.	Parts No	Parts Name	Qty	Unit	Technical Data	Serial No (Start)	S
1	31654010100	PLUG (6POLES,MALE)	2				

www.AutoEPC.com

TM-ZE300 41044507044A FRAME/HOOK-IN(AWL)
 PN1014617-02 ELEC.ASSY (FRAME SWITCH)

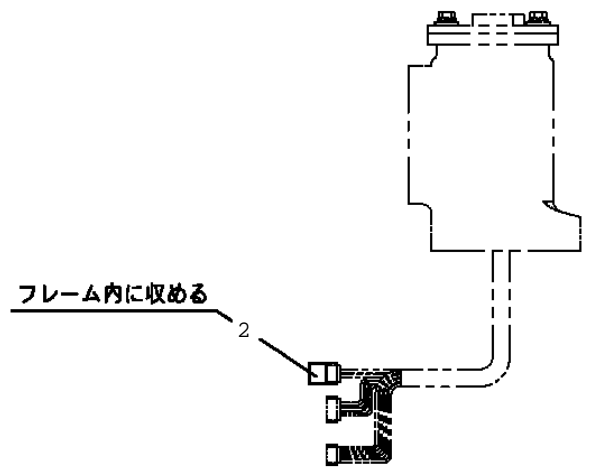
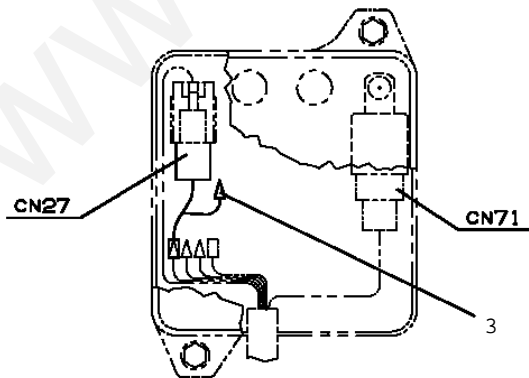
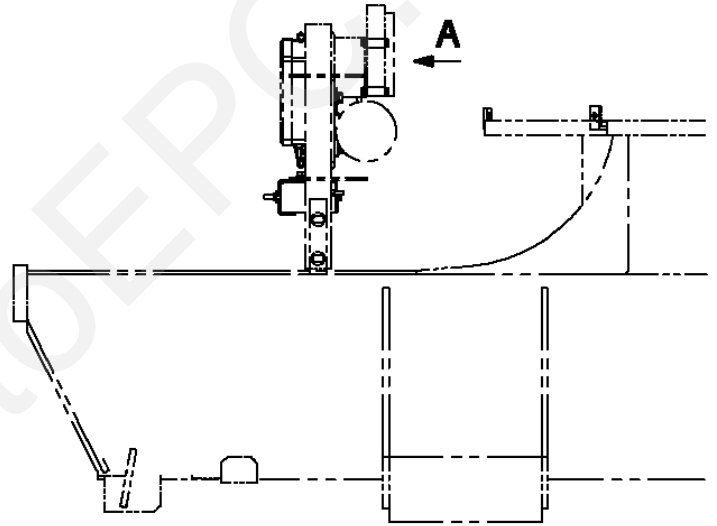
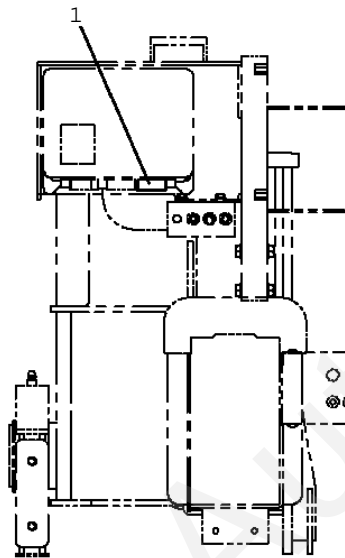
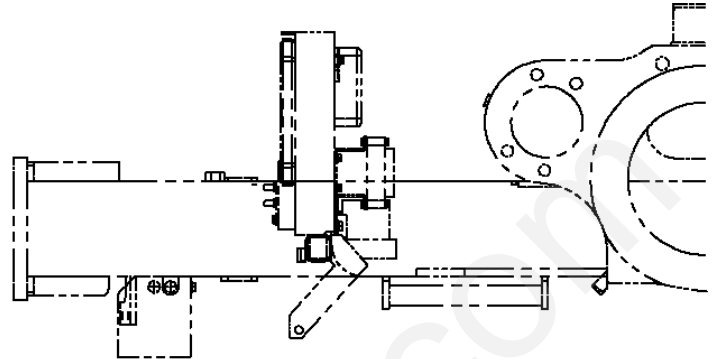


TM-ZE300 41044507044A FRAME/HOOK-IN(AWL)

Pos No.	Parts No	Parts Name	Qty	Unit	Technical Data
3	90186208014	BOLT, FLANGE	8		M8X14
4	31656140201	COVER	2		
6	90101208014	BOLT	4		M8X14
7	90303070801	WASHER, PLAIN	4		8
21	31656141100	SUPPORT	2		
22	31656141210	SWITCH ASSY(WITH HARNESS:PLATING/NACC)	2		
	31656141220	SWITCH ASSY(WITH HARNESS/PANASONIC)	2		
23	31656141320	SWITCH ASSY (PANASONIC)	2		
	31656141310	SWITCH ASSY (PLATING:NACC)	2		
24	82197518114	CAP (MATSUSHITA/BLACK)	4		
	82197518119	CAP (PLUS ONE MFG./BLACK)	4		
25	82199514013	CAP	2		
26	82199504017	NUT	2		AT-401N
27	31656181100	PLATE, NAME	1		
37	31653303300	SWITCH ASSY (MATSUSHITA)	1		
	31653303200	SWITCH ASSY (NIHON AUTOMATIC)	1		
38	82197600101	CAP (BLACK)	1		
39	31656182100	PLATE, NAME	1		
52	82420100813	TRIM	2	M	

www.AutoEPC.com

TM-ZE300 41044507044A FRAME/HOOK-IN(AWL)
PN1014675-01 ELEC.ASSY (PLUG:FRAME/INTERLOCK)



A

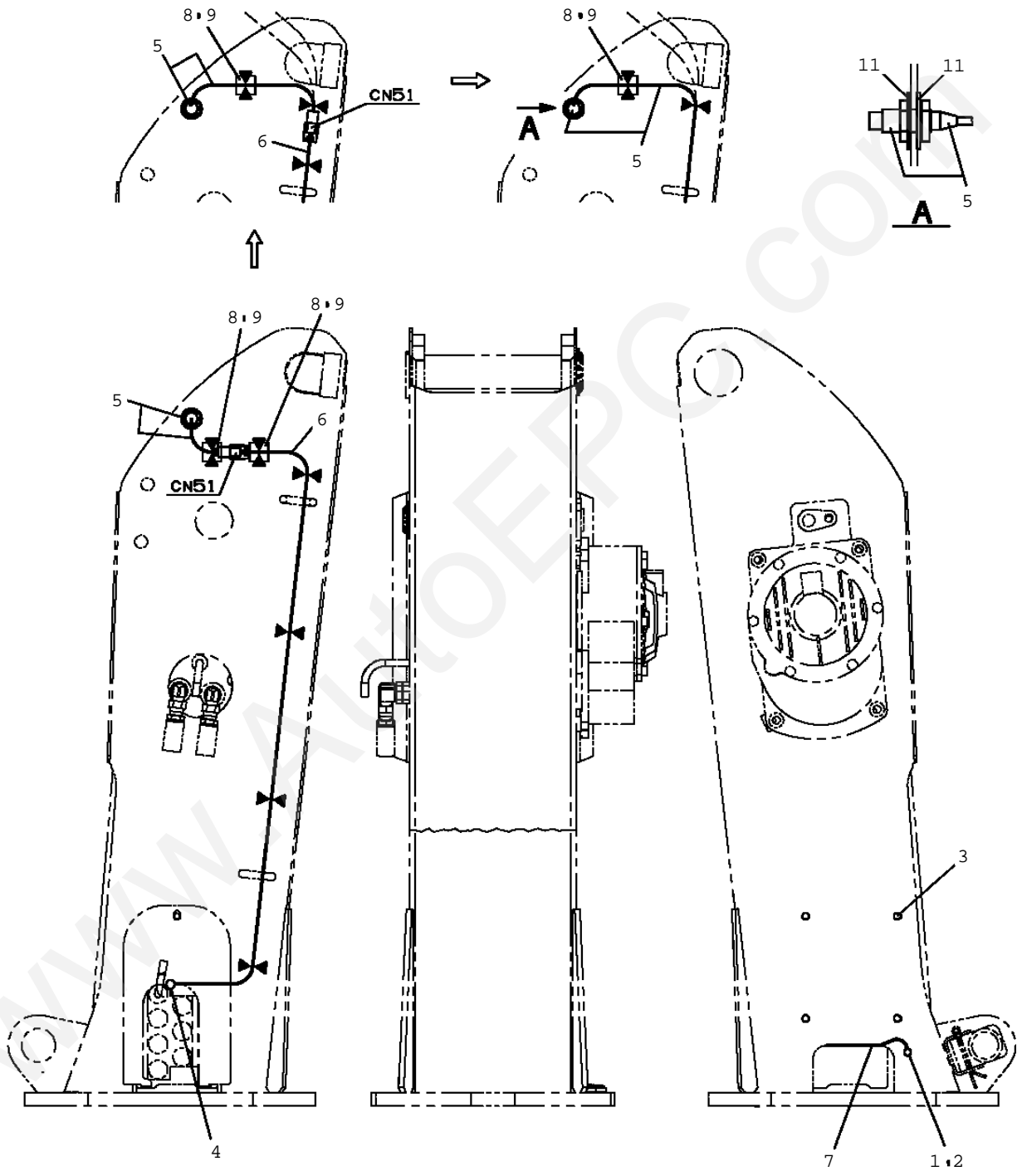
JOINT, ROTARY

TM-ZE300 41044507044A FRAME/HOOK-IN(AWL)

Pos No.	Parts No	Parts Name	Qty	Unit	Technical Data	Serial No (Start)
1	31656311200	CAP	1			
2	31656101200	PLUG (2-POLES,FEMALE)	1			
3	31656311100	HARNESS	1		L=110	

www.AutoEPC.com

TM-ZE300 41044507044A FRAME/HOOK-IN(AWL)
PN1014676-02 ELEC.ASSY (PLUG:POST/BOOM ELEV.STOWING)



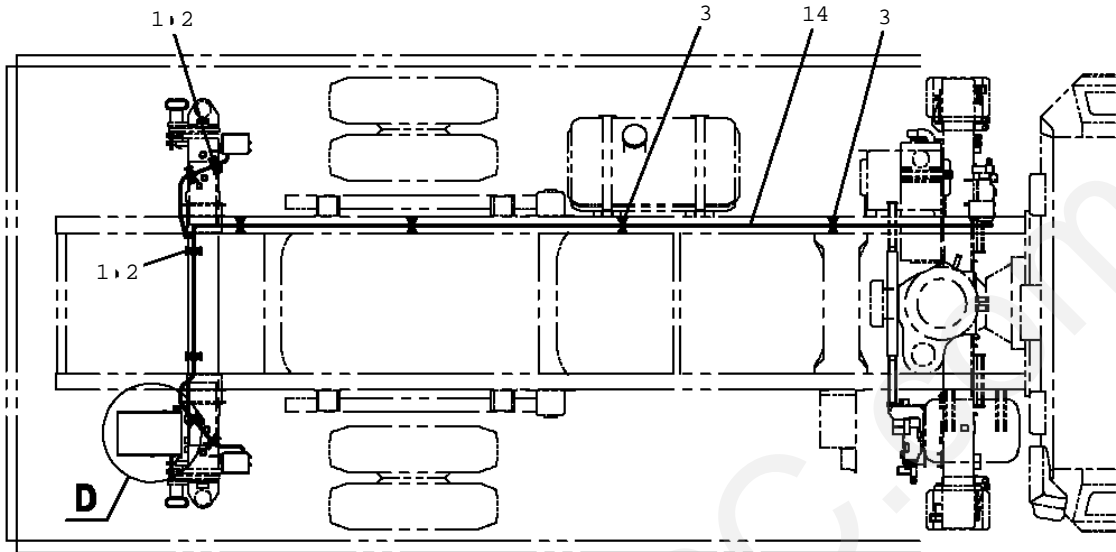
ポスト部

TM-ZE300 41044507044A FRAME/HOOK-IN(AWL)

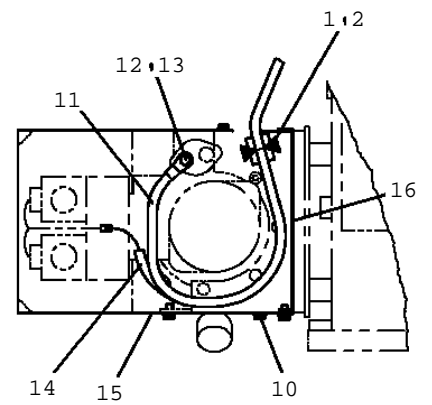
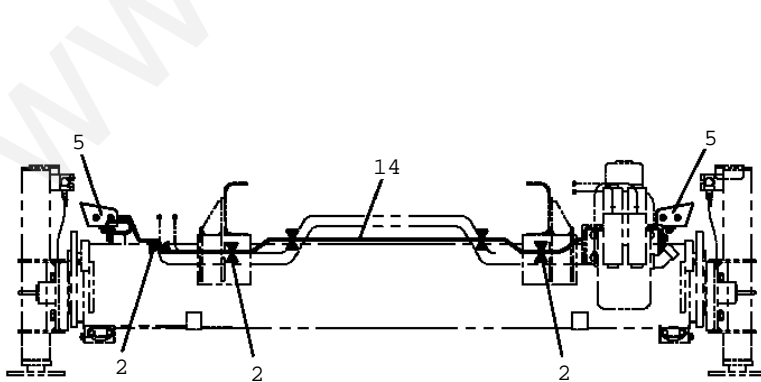
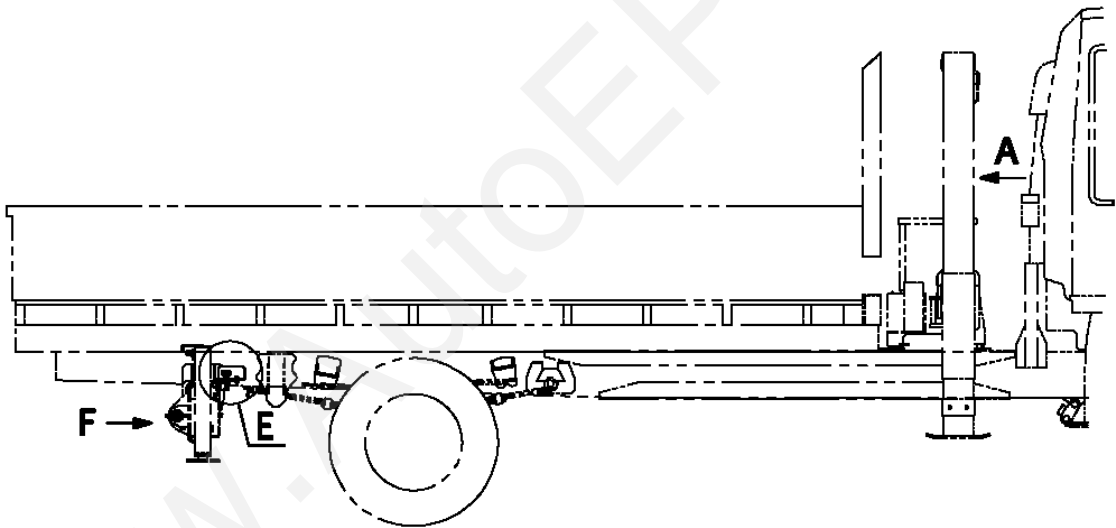
Pos No.	Parts No	Parts Name	Qty	Unit	Technical Data	Serial No (Start)	S
1	90101206014	BOLT	1		M6X14		
2	90303070601	WASHER, PLAIN	1		6		
3	82401800060	PLUG (FOR M6)	4				
4	31474661600	PLUG (2-POES, MALE)	1				
5	82108501340	SWITCH	1				
7	31656312100	HARNES	1		L=580		
8	91810130250	FASTENER	9				
9	91850310405	CLAMP (BLACK)	1				
11	31860960300	SPACER	2		T=1.6		

www.AutoEPC.com

TM-ZE300 41044507044A FRAME/HOOK-IN(AWL)
PN1014685-02 ELEC.ASSY

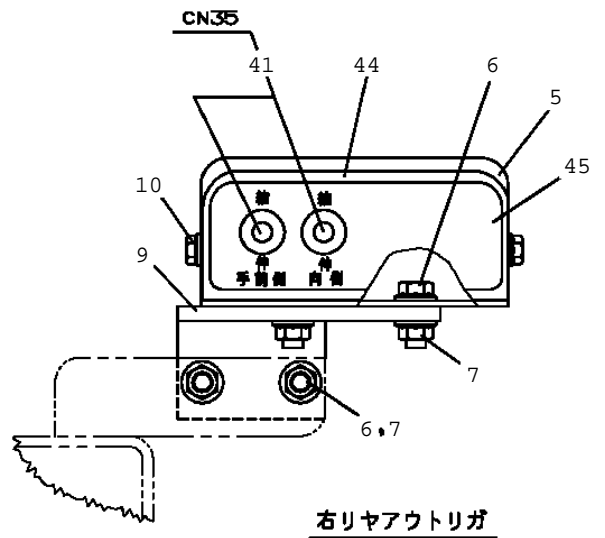
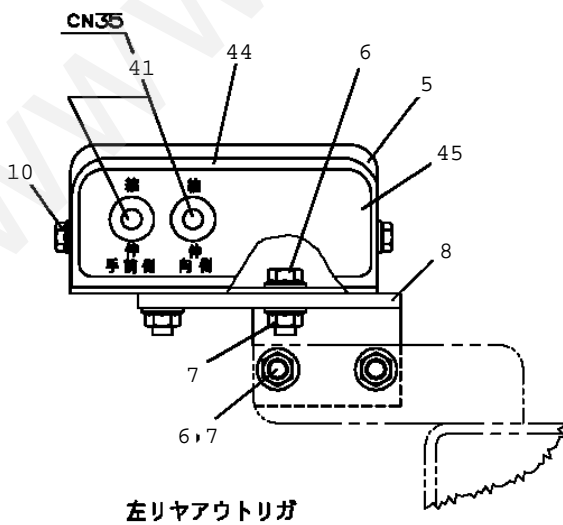
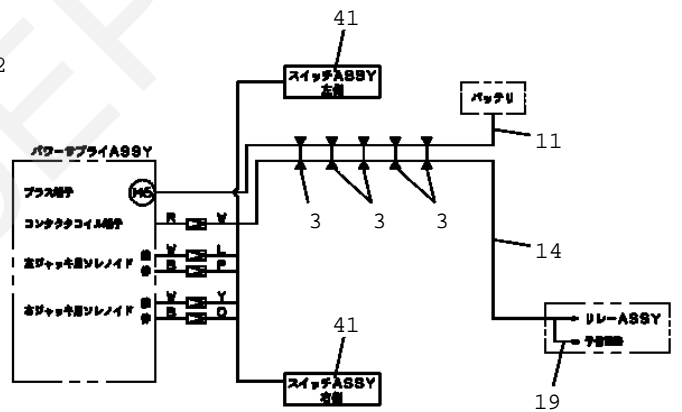
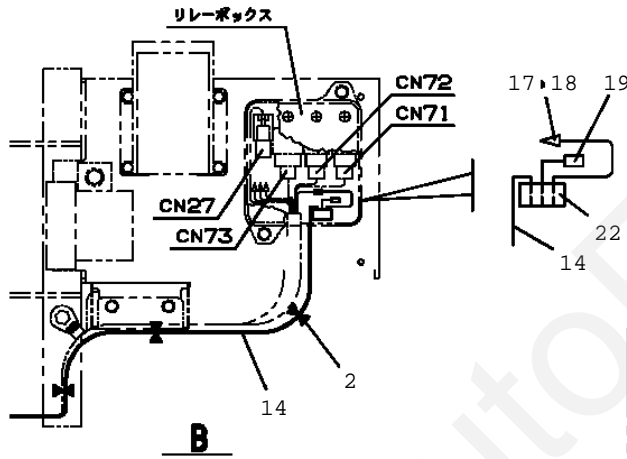
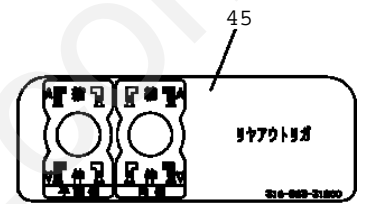
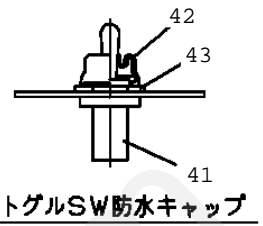
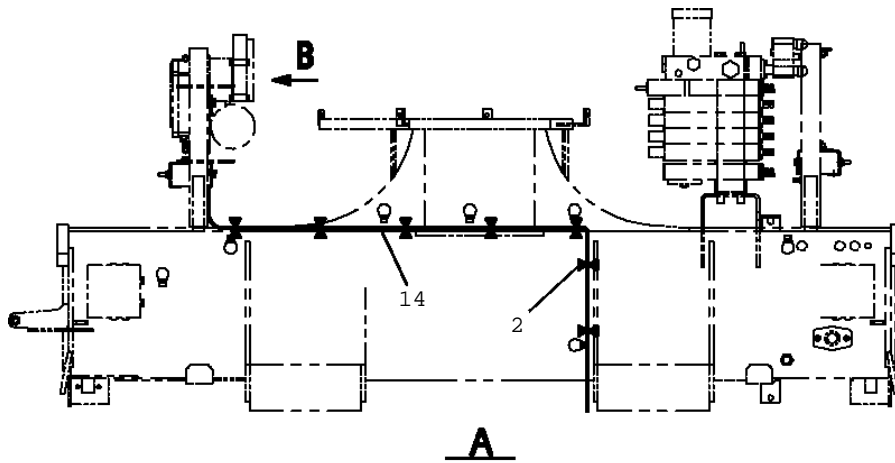


→ FRONT



F

D

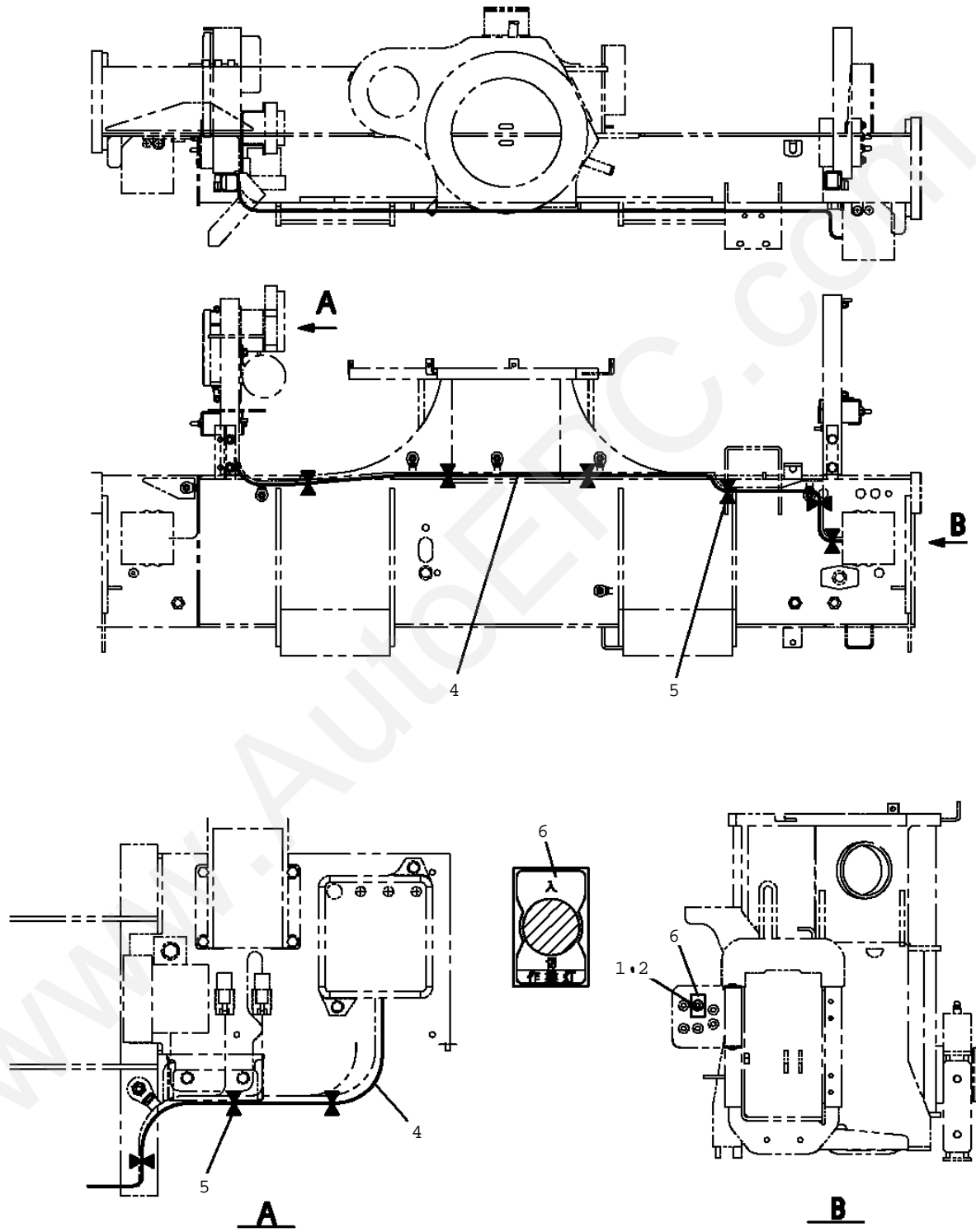


E

TM-ZE300 41044507044A FRAME/HOOK-IN(AWL)

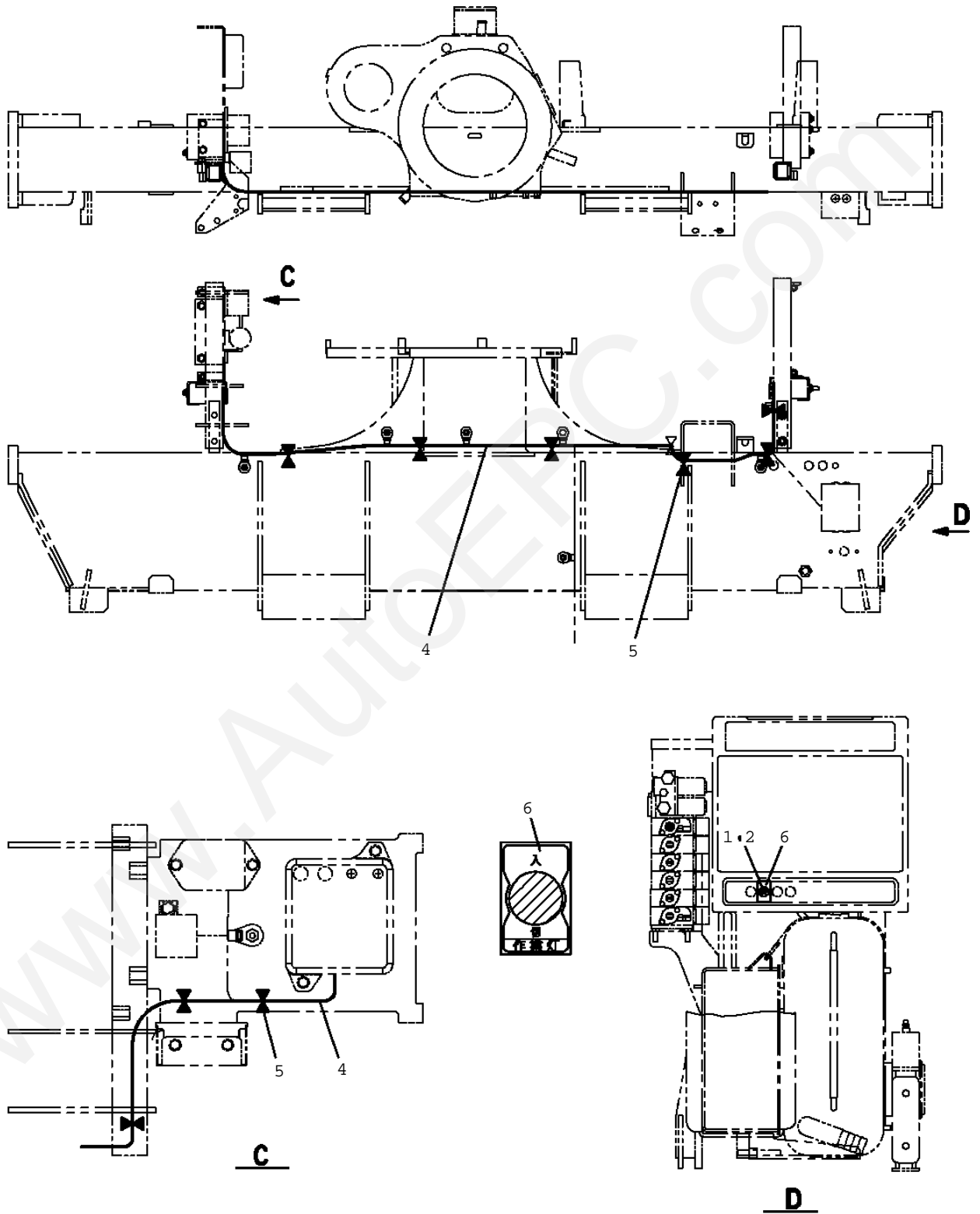
Pos No.	Parts No	Parts Name	Qty	Unit	Technical Data	Serial
1	91850310405	CLAMP (BLACK)	7			
2	91810130240	FASTENER	20			
3	91810130250	FASTENER	5			
5	31657280200	COVER	2			
6	90186208020	BOLT, FLANGE	8		M8X20	
7	90280200800	NUT, FLANGE	8		M8	
8	31653470100	SUPPORT	1			
9	31653470200	SUPPORT	1			
10	90186206010	BOLT, FLANGE	12		M6X10	
11	31611614300	HARNESS	1		L=10000	
12	82100002503	TERMINAL	1			
13	82100001226	INSULATOR	1			
14	31656330200	HARNESS	1			
15	31611614500	COVER	1			
16	31611614400	COVER	1			
17	82100000192	TERMINAL	1			
18	82100000182	INSULATOR	1			
19	31478092200	HARNESS	1		L=100	
22	82115001005	CONNECTOR	1			
41	31653322200	SWITCH ASSY (WITH HARNESS, 2-SW)	2			
42	82199514013	CAP	4			
43	82199504017	NUT	4		AT-401N	
44	31657282100	SUPPORT	2			
45	31656331200	PLATE, NAME	2			

TM-ZE300 41044507044A FRAME/HOOK-IN(AWL)
PN1014686-03 ELEC.ASSY (LOWER)



ラジコンバルブの場合

TM-ZE300 41044507044A FRAME/HOOK-IN(AWL)
PN1014686-03 ELEC.ASSY (LOWER)



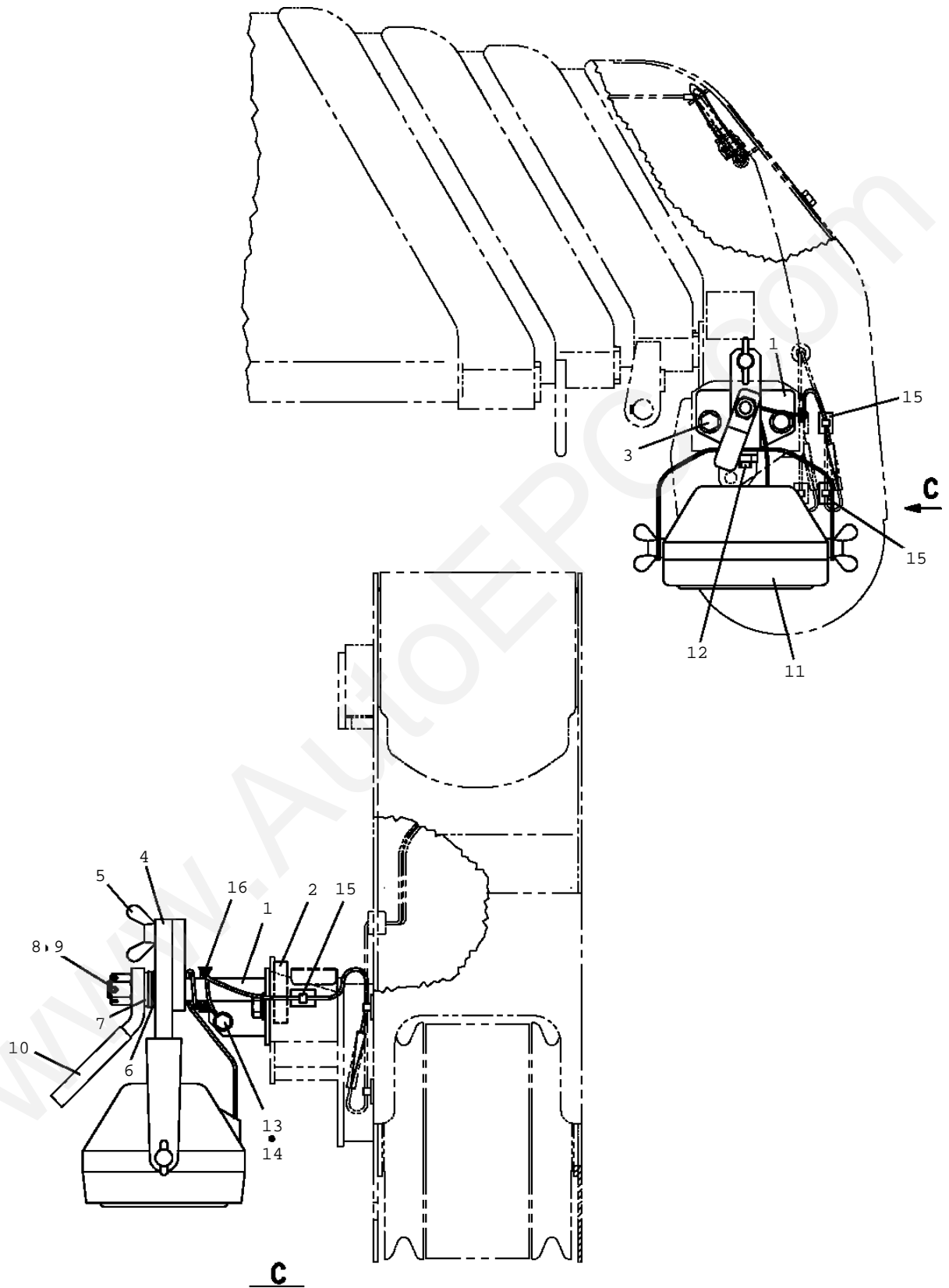
マニュアルバルブの場合

TM-ZE300 41044507044A FRAME/HOOK-IN(AWL)

Pos No.	Parts No	Parts Name	Qty	Unit	Technical Data	Serial No (S
1	31477311200	SWITCH ASSY (PLATING:NACC)	1			
	31477311500	SWITCH ASSY (PANASONIC)	1			
2	82197518119	CAP (PLUS ONE MFG./BLACK)	1			
	82197518114	CAP (MATSUSHITA/BLACK)	1			
4	31501191100	HARNESS	1			
5	91810130240	FASTENER	9			
6	31501191200	PLATE,NAME	1			

www.AutoEPC.com

TM-ZE300 41044507044A FRAME/HOOK-IN(AWL)
PN1014687-01 ELEC.ASSY (UPPER/WORKING LAMP)

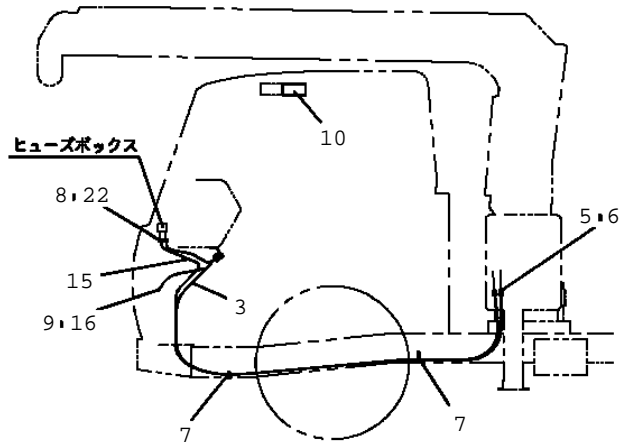


TM-ZE300 41044507044A FRAME/HOOK-IN(AWL)

Pos No.	Parts No	Parts Name	Qty	Unit	Technical Data	Serial No (Start)
1	31501192100	SUPPORT	1			
2	31501192200	PLATE	1			
3	90186210016	BOLT, FLANGE	2		M10X16	
4	31650690400	SUPPORT	1			
5	90813108020	BOLT, WING	1		M8X20	
6	90309331205	WASHER, CONICAL SPRING	2		L12	
7	90303071201	WASHER, PLAIN	1		12	
8	90236201200	NUT, CASTLE	1		2H M12	
9	80136325025	PIN, SPLIT	1		2.5X25	
10	31650690500	LEVER	1			
11	82165904160	LAMP	1			
12	90280201000	NUT, FLANGE	1		M10	
13	90186206010	BOLT, FLANGE	1		M6X10	
14	90280200600	NUT, FLANGE	1		M6	
15	82401600504	CLAMP	3			
16	91810130240	FASTENER	1			

www.AutoEPC.com

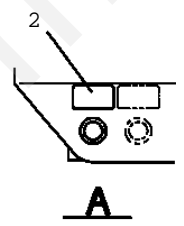
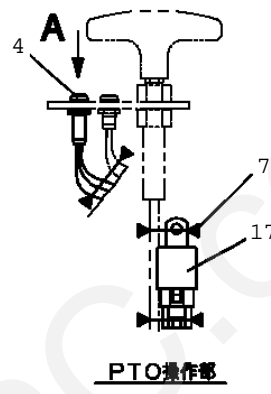
PTOレバーがハンドル横にある場合 (Aタイプ)



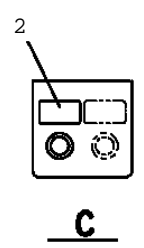
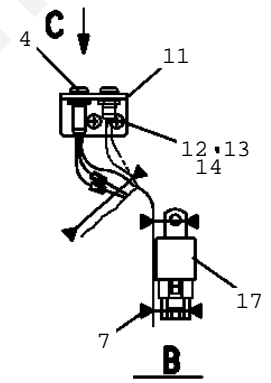
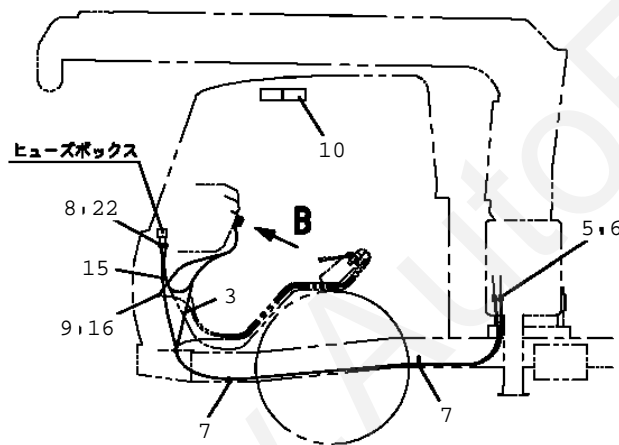
2
 アウトリガ準備
 202-032-1202

10

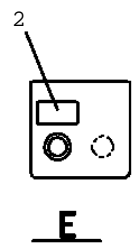
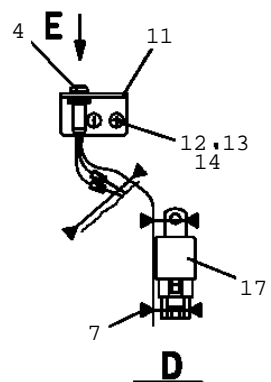
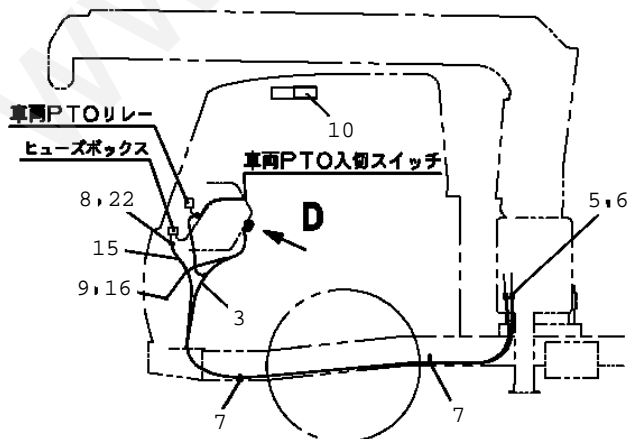
注 記	
●	PTOレバーがハンドル横にある場合、PTOレバーの配線は、PTOレバーの配線と別配線とする。
●	PTOレバーが座席横にある場合、PTOレバーの配線は、PTOレバーの配線と別配線とする。
●	純正PTO付きの場合、PTOレバーの配線は、PTOレバーの配線と別配線とする。



PTOレバーが座席横にある場合 (Bタイプ)



純正PTO付きの場合 (Cタイプ)



パーキングランプの下流にパーキングスイッチがある場合 (Dタイプ)

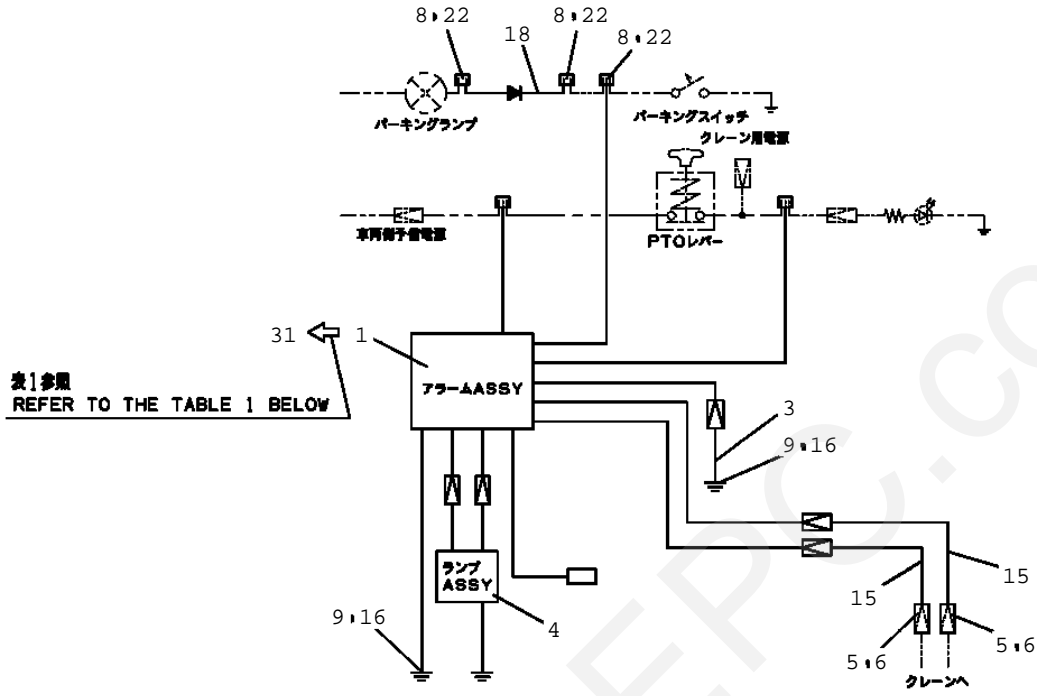


表1参照
 REFER TO THE TABLE 1 BELOW

パーキングランプの上流にパーキングスイッチがある場合 (Eタイプ)

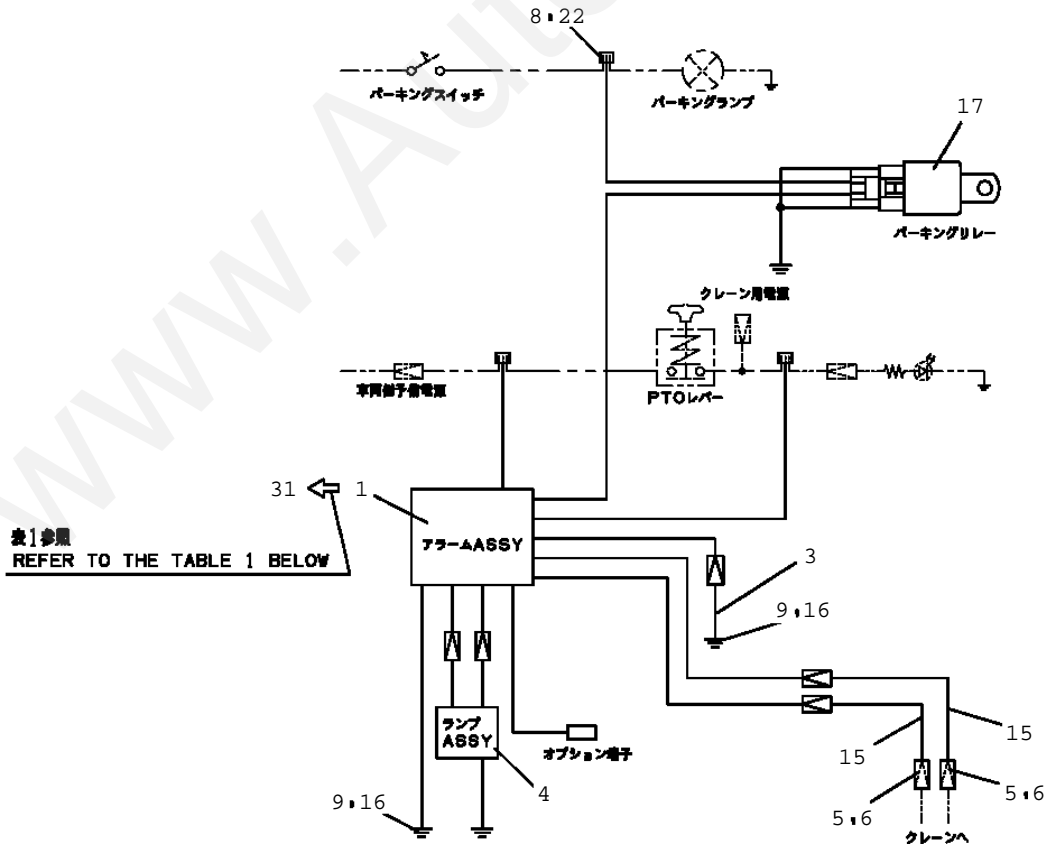
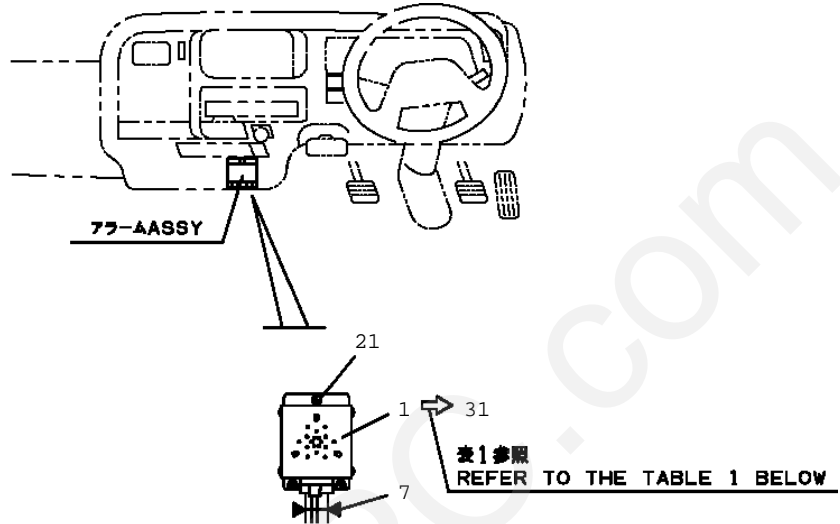


表1参照
 REFER TO THE TABLE 1 BELOW

TM-ZE300 41044507044A FRAME/HOOK-IN(AWL)
 PN1014690-03 ELEC.ASSY (CARRIER)



モデル番号 MODEL	実施号機 APPLICABLE SERIAL NO.	モデル番号 MODEL	実施号機 APPLICABLE SERIAL NO.
TM-25Z-2	~#ET4545	TM-25Z-2	#ET4546~
TM-26Z-4	~#LA0109	TM-26Z-4	#LA0110~
TM-29Z-5	~#LA0109	TM-29Z-5	#LA0110~
TM-30Z-5	~#KB2389	TM-30Z-5	#KB2390~
TM-30Z-6	~#KB2389	TM-30Z-6	#KB2390~
TM-36Z-4	~#KB2389	TM-36Z-4	#KB2390~
TM-36Z-5	~#KB2389	TM-36Z-5	#KB2390~
TM-50Z-5	~#EW8313	TM-50Z-5	#EW8314~
TM-58Z-3	~#NA0204	TM-58Z-3	#NA0205~
TM-60Z-5	~#NA0204	TM-60Z-5	#NA0205~

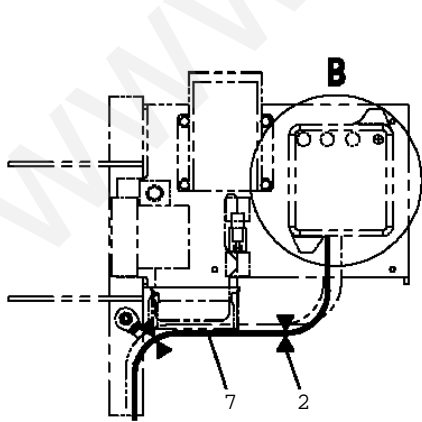
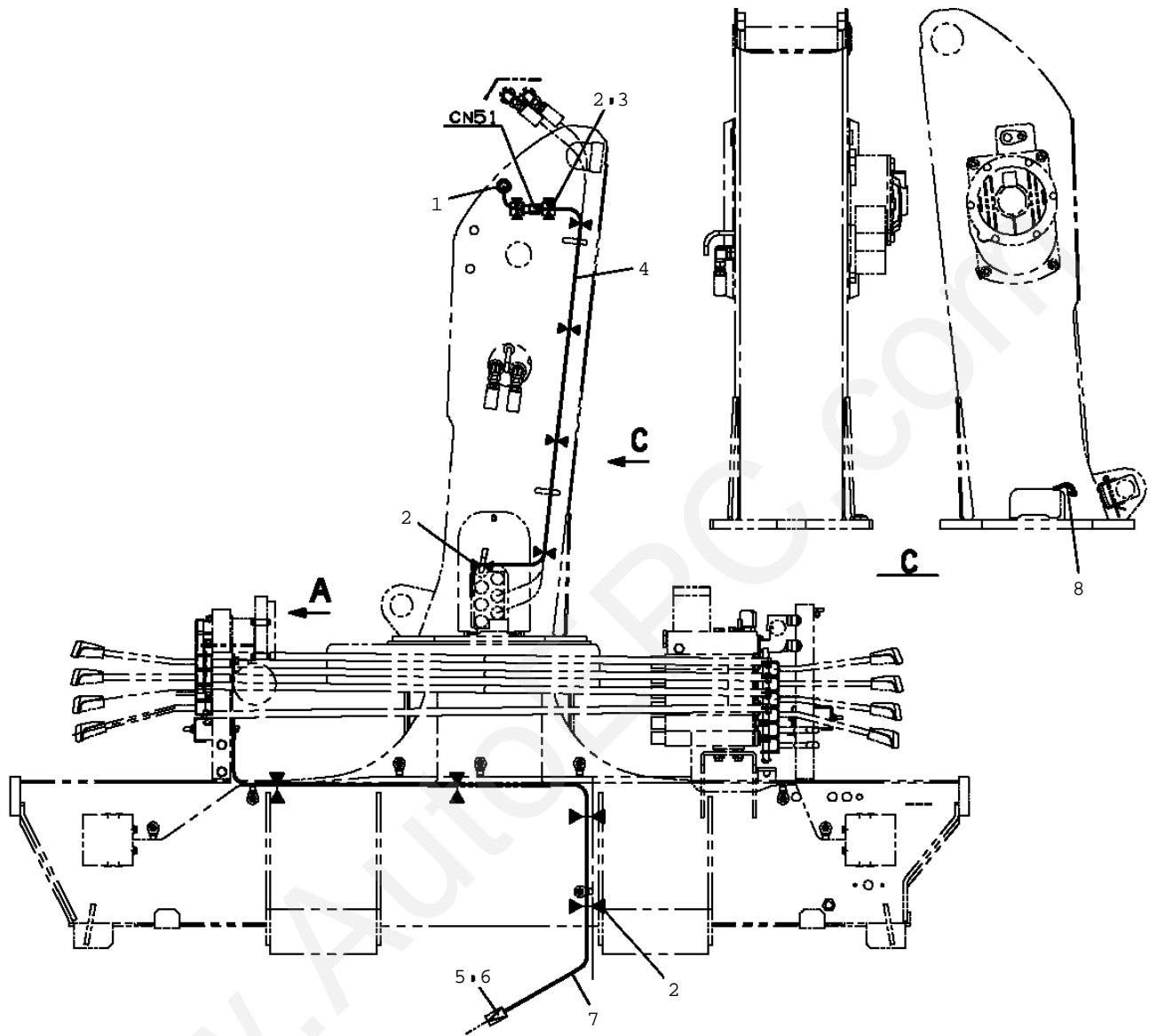
表1
 TABLE 1

TM-ZE300 41044507044A FRAME/HOOK-IN(AWL)

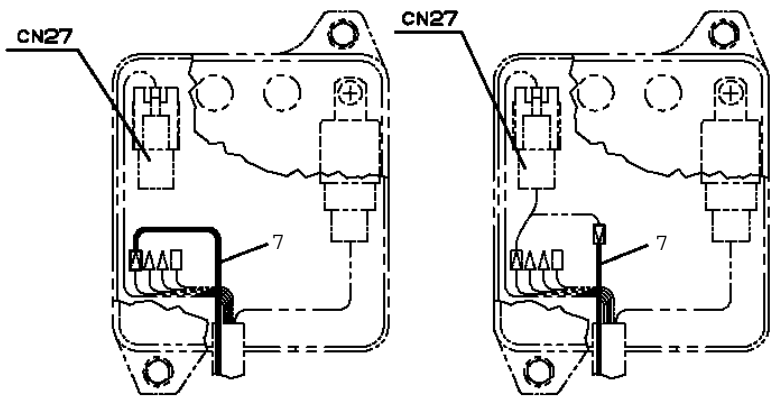
Pos No.	Parts No	Parts Name	Qty	Unit	Technical Data	Serial No (Start)	Serial
1	31476362102	ALARM ASSY	1				
2	31501313100	PLATE,NAME	1				
3	31477472100	HARNESS (RED)	1		L=1000		
4	31380174000	LAMP ASSY	1				
5	82100000191	TERMINAL	2				
6	82100000183	INSULATOR	2				
7	91810130240	FASTENER	10				
8	82115001002	CONNECTOR	6				
9	82100001400	TERMINAL	4				
10	31476362700	PLATE, CAUTION	1				
11	31380292600	SUPPORT	1				
12	80172305020	SCREW, MACHINE	2		M5X20		
13	90302040501	WASHER, SPRING	2		5		
14	90303070501	WASHER, PLAIN	2		5		
15	31476362400	HARNESS (RED)	2		L=6000		
16	82100001220	INSULATOR	4				
17	31476362300	RELAY ASSY	1				
18	31475982400	DIODE ASSY	1				
21	90928040101	SCREW, TAPPING	3		M4X10		
22	82115001005	CONNECTOR	6				
31	31476362103	ALARM ASSY	1				

www.AutoEPC.com

TM-ZE300 41044507044A FRAME/HOOK-IN(AWL)
 PN1014691-00 ELEC.ASSY (BOOM)



A



ブームインターロック無仕様の場合 ブームインターロック有仕様の場合

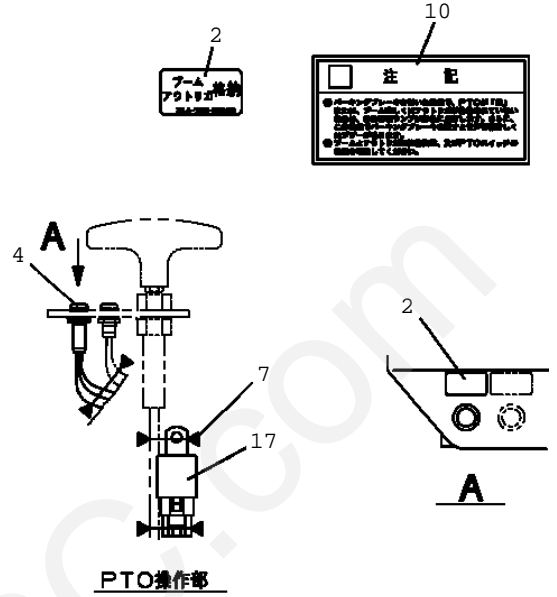
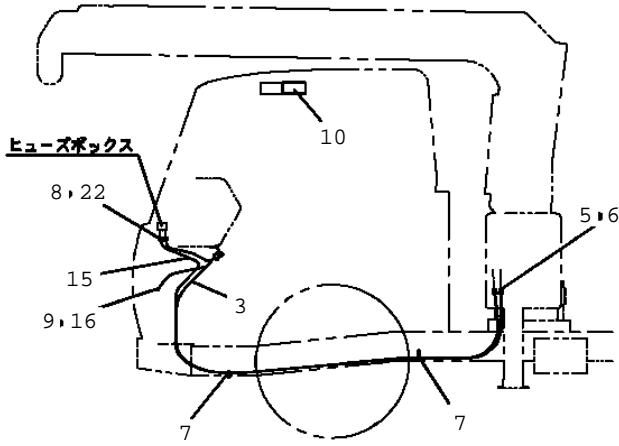
B

TM-ZE300 41044507044A FRAME/HOOK-IN(AWL)

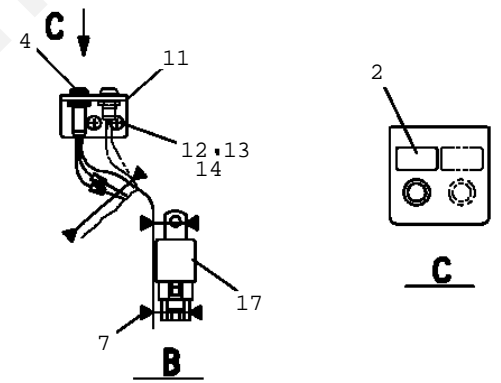
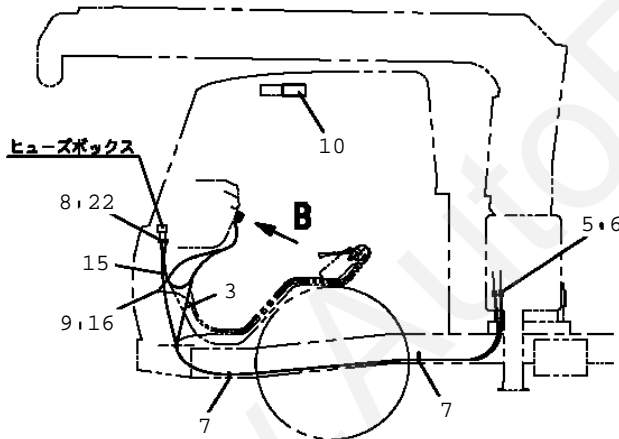
Pos No.	Parts No	Parts Name	Qty	Unit	Technical Data	Serial No (Start)	Seri
1	82108501310	SWITCH	1				
2	91810130250	FASTENER	17				
3	91850310405	CLAMP (BLACK)	2				
4	31361943300	HARNESS	1		L=1460		
5	82100000192	TERMINAL	1				
6	82100000182	INSULATOR	1				
7	31476361200	HARNESS (WHITE)	1		L=2000		
8	31656312100	HARNESS	1		L=580		

www.AutoEPC.com

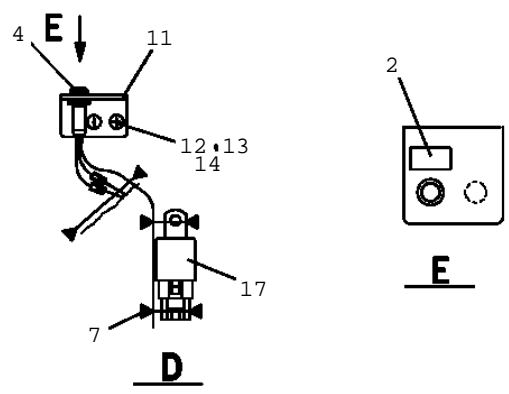
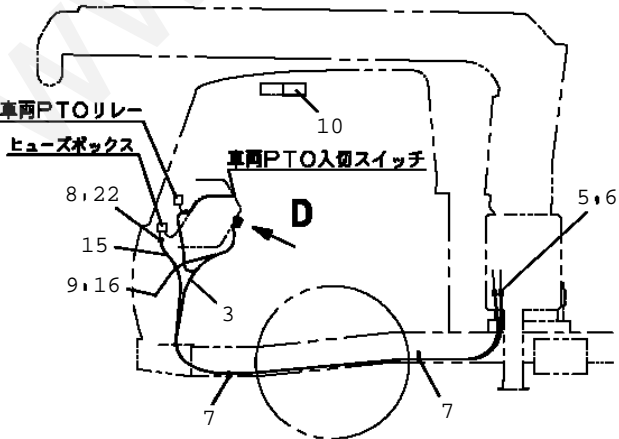
PTOレバーがハンドル横にある場合 (Aタイプ)



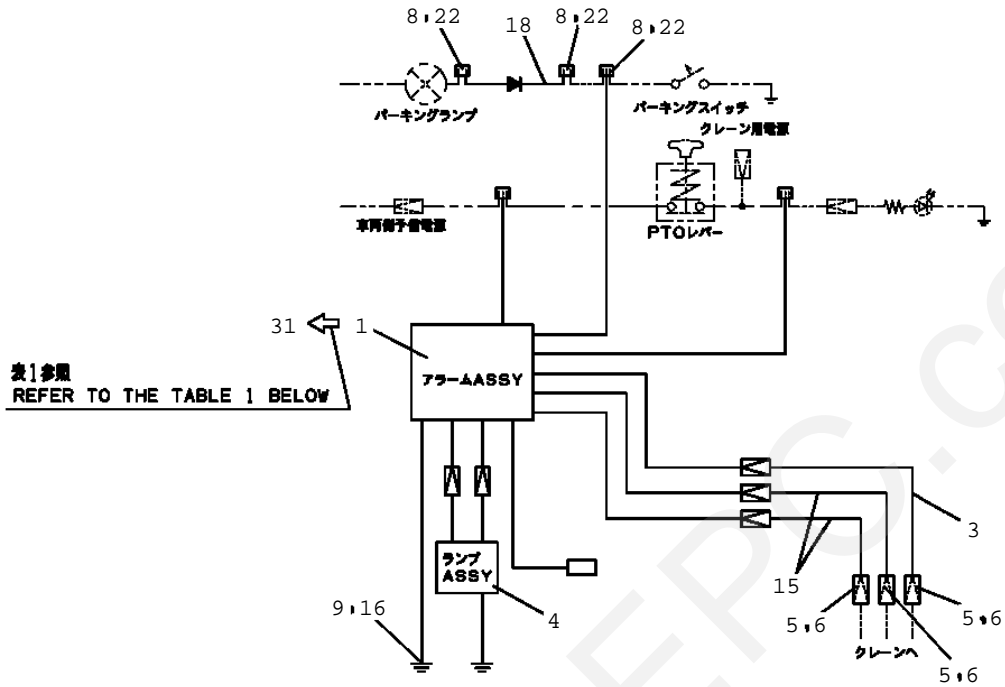
PTOレバーが座席横にある場合 (Bタイプ)



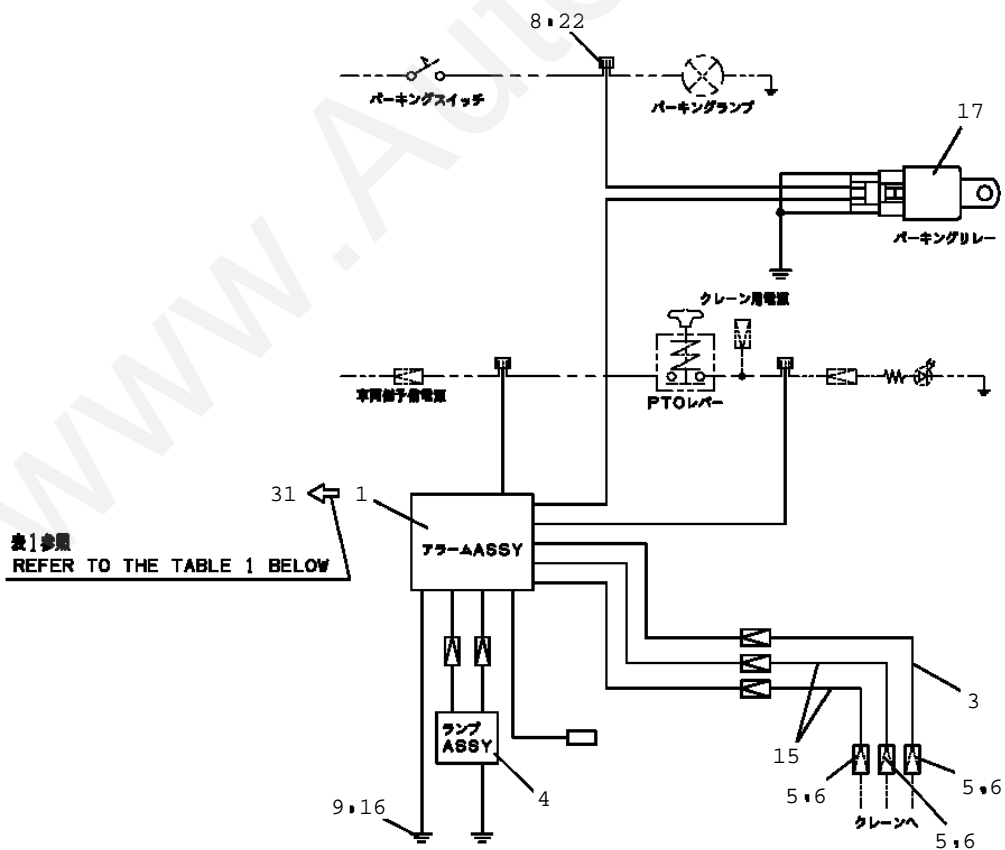
純正PTO付きの場合 (Cタイプ)



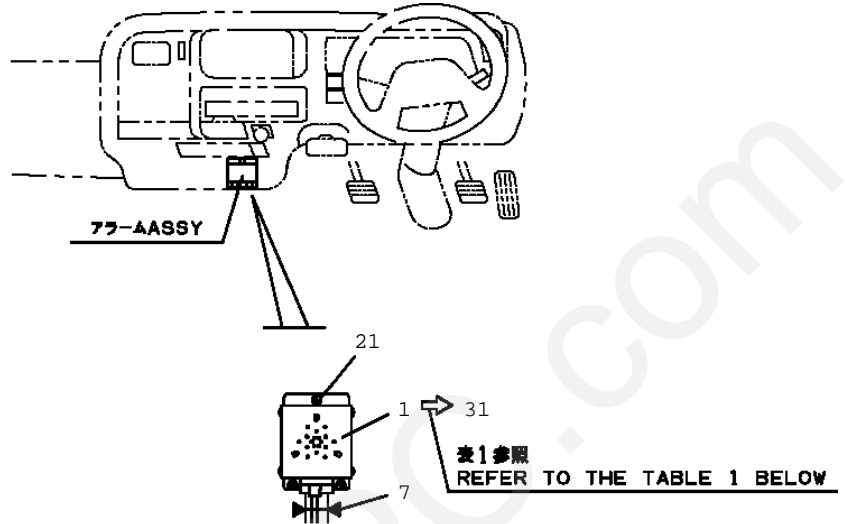
パーキングランプの下流にパーキングスイッチがある場合 (Dタイプ)



パーキングランプの上流にパーキングスイッチがある場合 (Eタイプ)



TM-ZE300 41044507044A FRAME/HOOK-IN(AWL)
 PN1014692-03 ELEC.ASSY (CARRIER)



モデル番号 MODEL	実施号機 APPLICABLE SERIAL NO.	モデル番号 MODEL	実施号機 APPLICABLE SERIAL NO.
TM-25Z-2	~#ET4545	TM-25Z-2	#ET4546~
TM-26Z-4	~#LA0109	TM-26Z-4	#LA0110~
TM-29Z-5	~#LA0109	TM-29Z-5	#LA0110~
TM-30Z-5	~#KB2389	TM-30Z-5	#KB2390~
TM-30Z-6	~#KB2389	TM-30Z-6	#KB2390~
TM-36Z-4	~#KB2389	TM-36Z-4	#KB2390~
TM-36Z-5	~#KB2389	TM-36Z-5	#KB2390~
TM-50Z-5	~#EW8313	TM-50Z-5	#EW8314~
TM-58Z-3	~#NA0204	TM-58Z-3	#NA0205~
TM-60Z-5	~#NA0204	TM-60Z-5	#NA0205~

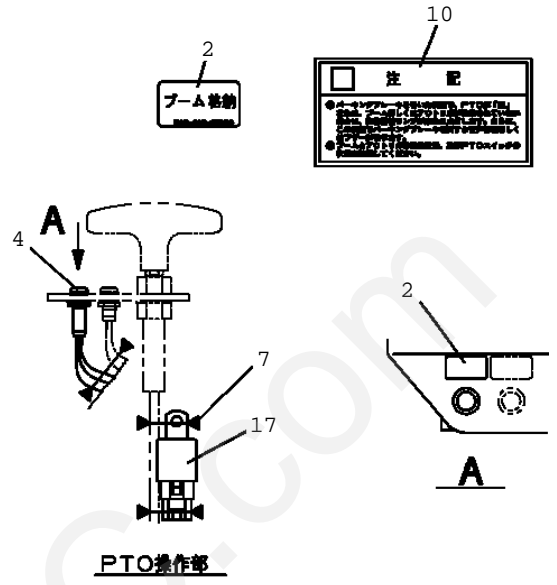
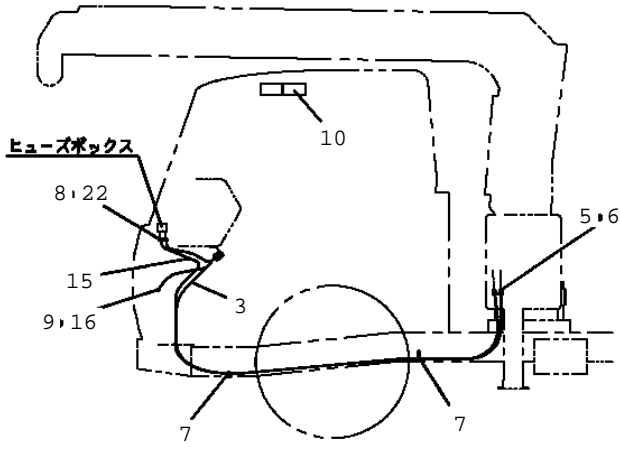
表1
TABLE 1

TM-ZE300 41044507044A FRAME/HOOK-IN(AWL)

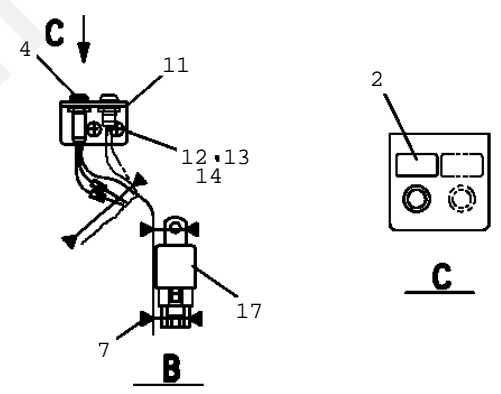
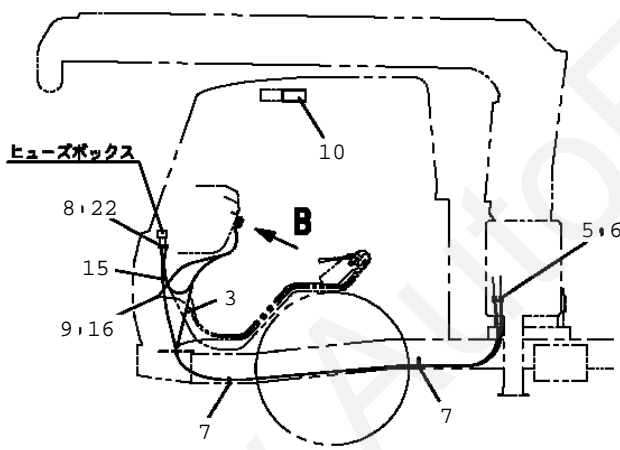
Pos No.	Parts No	Parts Name	Qty	Unit	Technical Data	Serial No (Start)	Seri
1	31476362102	ALARM ASSY	1				
2	31475352100	PLATE,NAME	1				
3	31476362200	HARNESS (WHITE)	1		L=6000		
4	31380174000	LAMP ASSY	1				
5	82100000191	TERMINAL	3				
6	82100000183	INSULATOR	3				
7	91810130240	FASTENER	10				
8	82115001002	CONNECTOR	6				
9	82100001400	TERMINAL	3				
10	31476362700	PLATE, CAUTION	1				
11	31380292600	SUPPORT	1				
12	80172305020	SCREW, MACHINE	2		M5X20		
13	90302040501	WASHER, SPRING	2		5		
14	90303070501	WASHER, PLAIN	2		5		
15	31476362400	HARNESS (RED)	2		L=6000		
16	82100001220	INSULATOR	3				
17	31476362300	RELAY ASSY	1				
18	31475982400	DIODE ASSY	1				
21	90928040101	SCREW, TAPPING	3		M4X10		
22	82115001005	CONNECTOR	6				
31	31476362103	ALARM ASSY	1				

www.AutoEPC.com

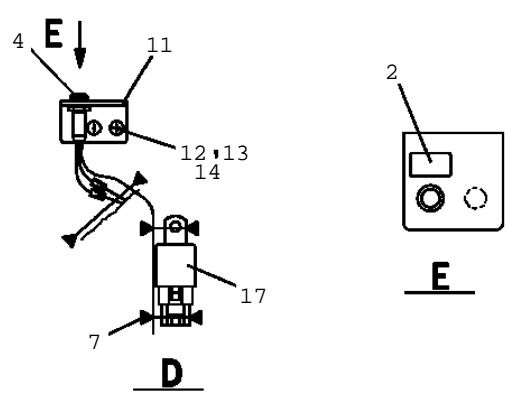
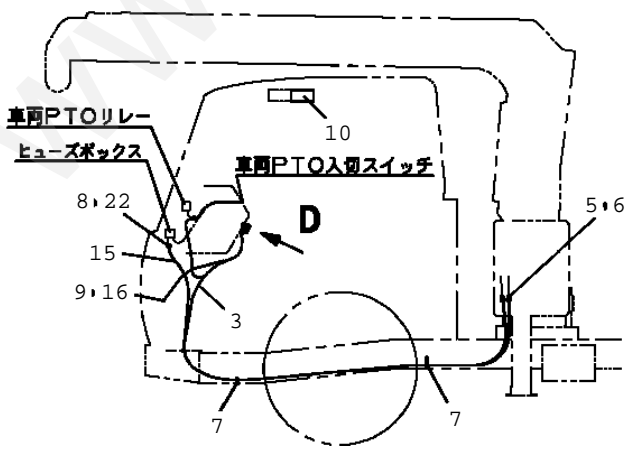
PTOレバーがハンドル横にある場合 (Aタイプ)



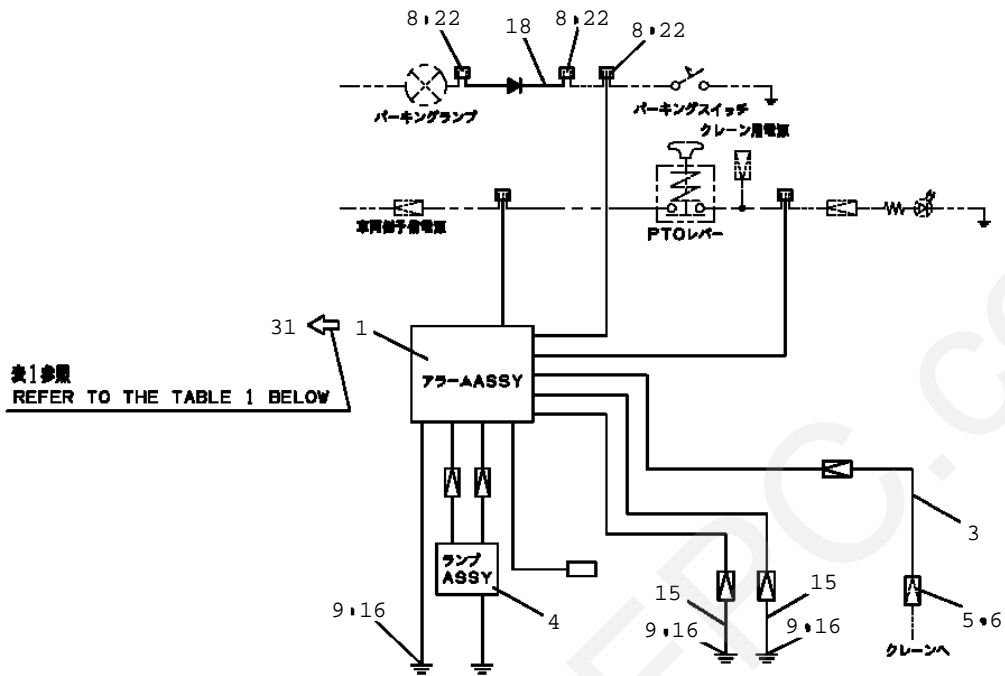
PTOレバーが座席横にある場合 (Bタイプ)



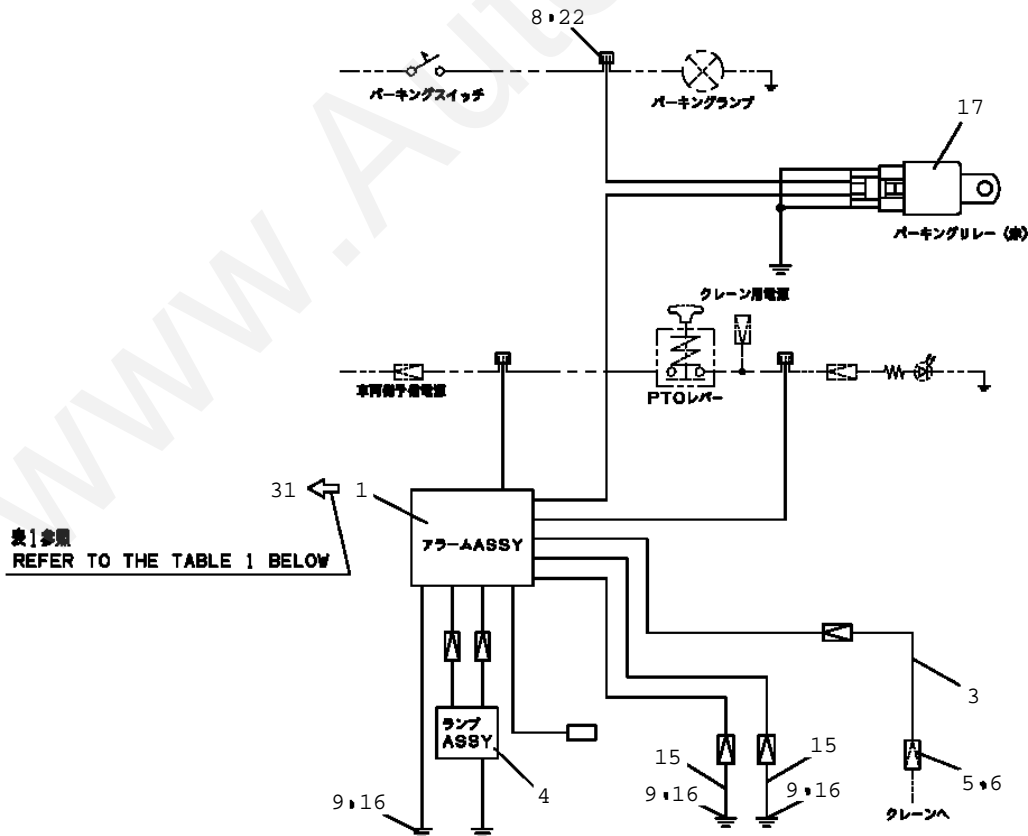
純正PTO付きの場合 (Cタイプ)



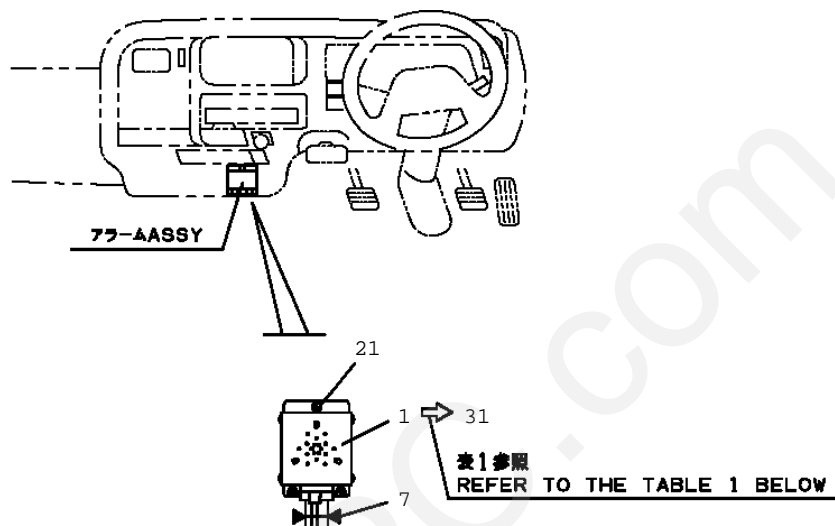
パーキングランプの下流にパーキングスイッチがある場合 (Dタイプ)



パーキングランプの上流にパーキングスイッチがある場合 (Eタイプ)



TM-ZE300 41044507044A FRAME/HOOK-IN(AWL)
 PN1014693-03 ELEC.ASSY (CARRIER/ALARM)



モデル番号 MODEL	実施号機 APPLICABLE SERIAL NO.	モデル番号 MODEL	実施号機 APPLICABLE SERIAL NO.
TM-25Z-2	~#ET4545	TM-25Z-2	#ET4546~
TM-26Z-4	~#LA0109	TM-26Z-4	#LA0110~
TM-29Z-5	~#LA0109	TM-29Z-5	#LA0110~
TM-30Z-5	~#KB2389	TM-30Z-5	#KB2390~
TM-30Z-6	~#KB2389	TM-30Z-6	#KB2390~
TM-36Z-4	~#KB2389	TM-36Z-4	#KB2390~
TM-36Z-5	~#KB2389	TM-36Z-5	#KB2390~
TM-50Z-5	~#EW8313	TM-50Z-5	#EW8314~
TM-58Z-3	~#NA0204	TM-58Z-3	#NA0205~
TM-60Z-5	~#NA0204	TM-60Z-5	#NA0205~

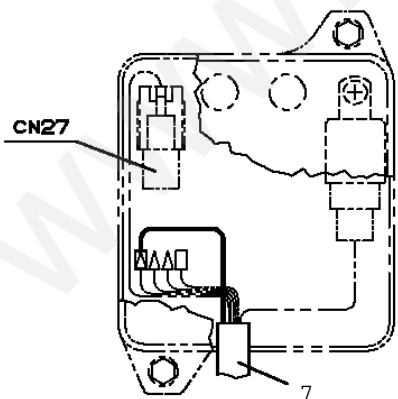
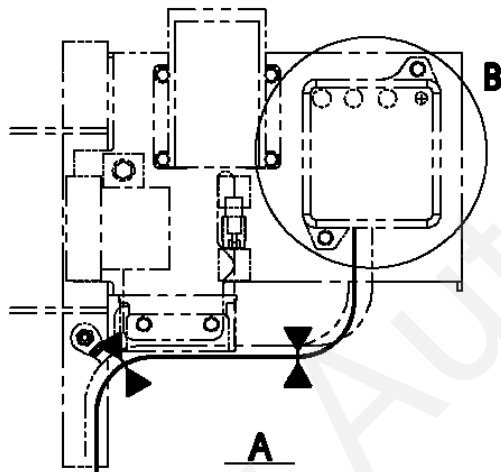
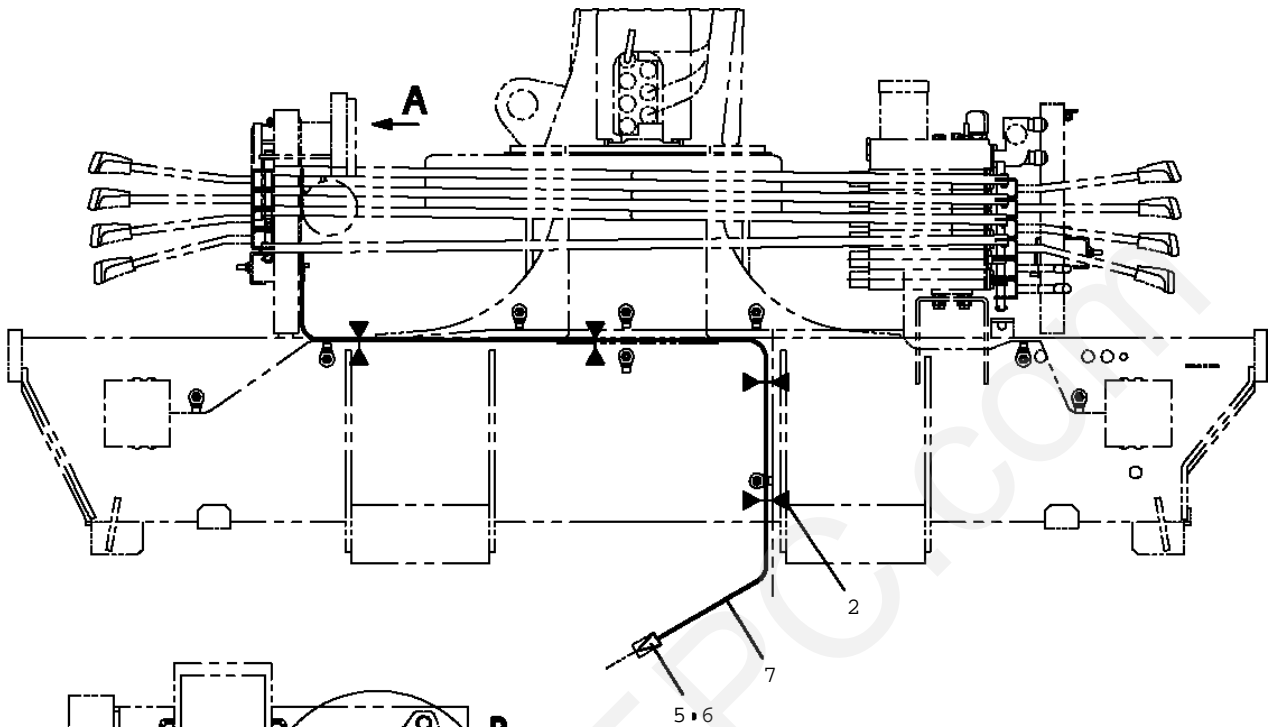
表1
 TABLE 1

TM-ZE300 41044507044A FRAME/HOOK-IN(AWL)

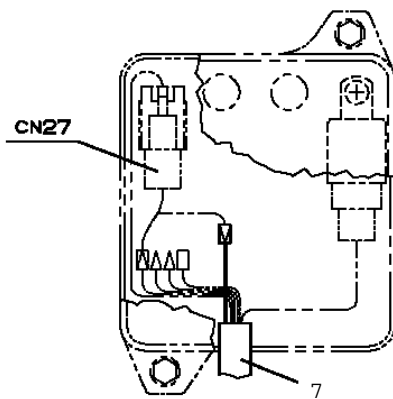
Pos No.	Parts No	Parts Name	Qty	Unit	Technical Data	Serial No (Start)	Seri
1	31476362102	ALARM ASSY	1				
2	31501323100	PLATE,NAME	1				
3	31476362200	HARNESS (WHITE)	1		L=6000		
4	31380174000	LAMP ASSY	1				
5	82100000191	TERMINAL	1				
6	82100000183	INSULATOR	1				
7	91810130240	FASTENER	10				
8	82115001002	CONNECTOR	6				
9	82100001400	TERMINAL	5				
10	31476362700	PLATE, CAUTION	1				
11	31380292600	SUPPORT	1				
12	80172305020	SCREW, MACHINE	2		M5X20		
13	90302040501	WASHER, SPRING	2		5		
14	90303070501	WASHER, PLAIN	2		5		
15	31477472100	HARNESS (RED)	2		L=1000		
16	82100001220	INSULATOR	5				
17	31476362300	RELAY ASSY	1				
18	31475982400	DIODE ASSY	1				
21	90928040101	SCREW, TAPPING	3		M4X10		
22	82115001005	CONNECTOR	6				
31	31476362103	ALARM ASSY	1				

www.AutoEPC.com

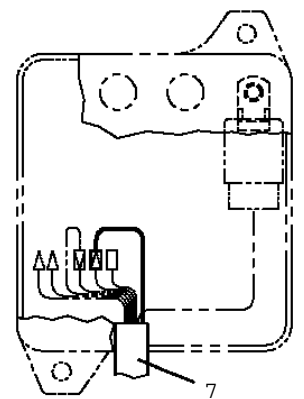
TM-ZE300 41044507044A FRAME/HOOK-IN(AWL)
 PN1014694-03 ELEC.ASSY (BOOM ELEVATING/FRAME)



セーフティアイズ仕様
 ナビ仕様
 ブームインターロック無仕様
 ZE500MH仕様



セーフティアイズ仕様以外
 ナビ仕様以外
 ブームインターロック付仕様



ZE500HR仕様
 ZE500SLHR仕様

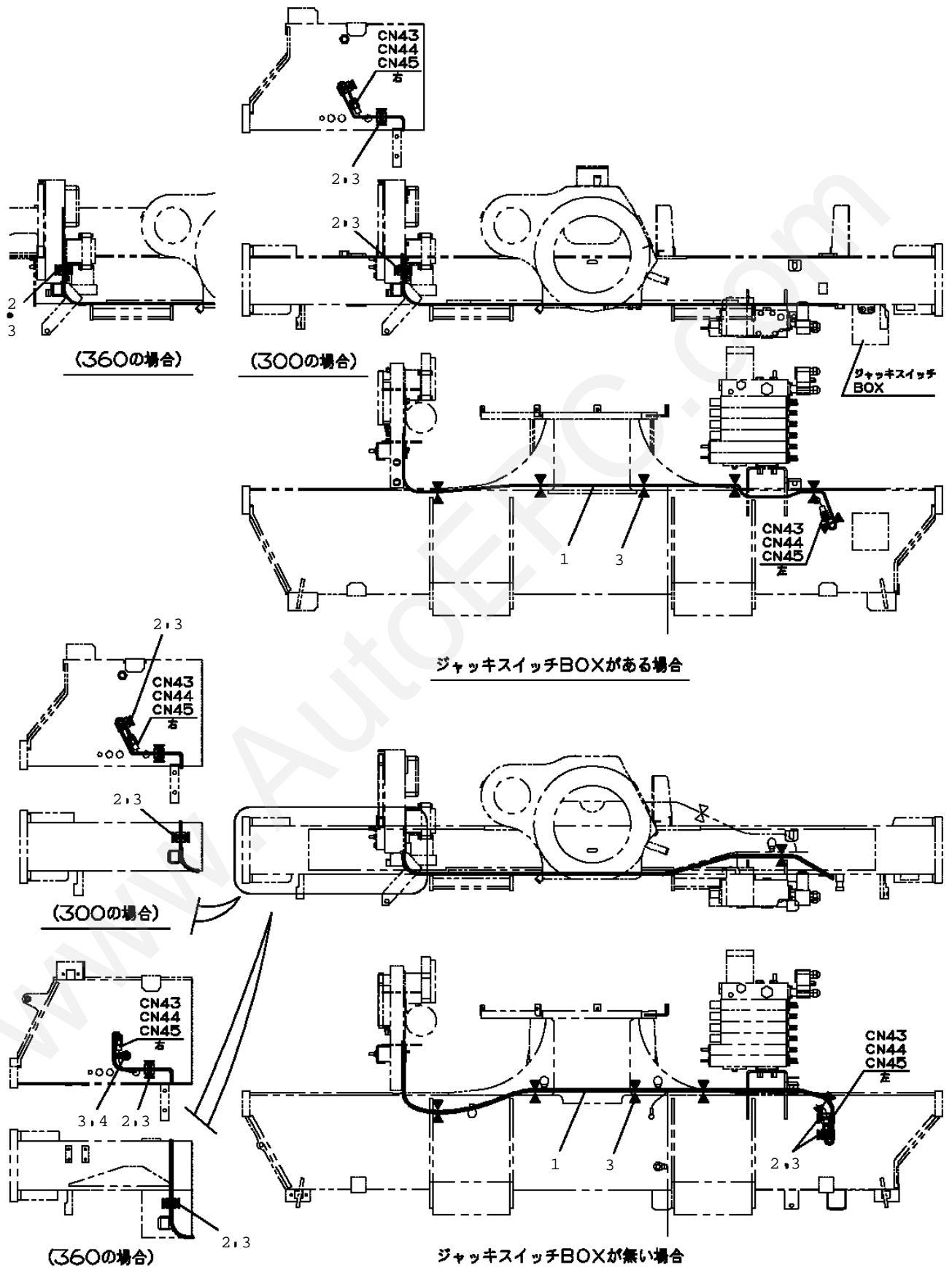
B

TM-ZE300 41044507044A FRAME/HOOK-IN(AWL)

Pos No.	Parts No	Parts Name	Qty	Unit	Technical Data	Serial No (Start)	Seri
2	91810130250	FASTENER	10				
5	82100000192	TERMINAL	1				
6	82100000182	INSULATOR	1				
7	31476361200	HARNESS (WHITE)	1		L=2000		

www.AutoEPC.com

TM-ZE300 41044507044A FRAME/HOOK-IN(AWL)
 PN1014701-01 ELEC.ASSY (JACK INTERLOCK)

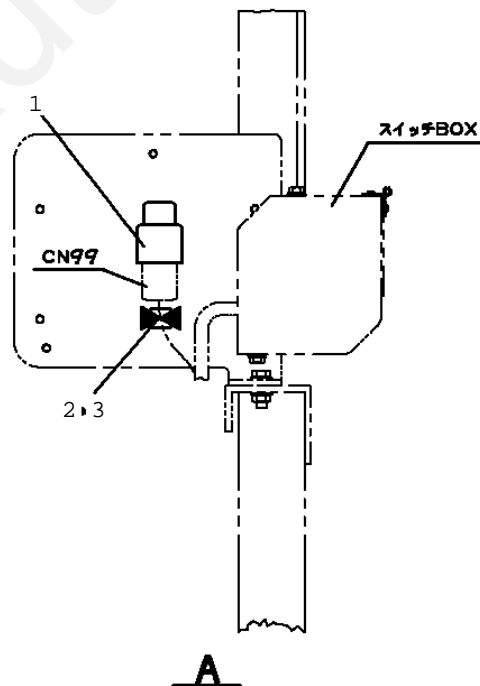
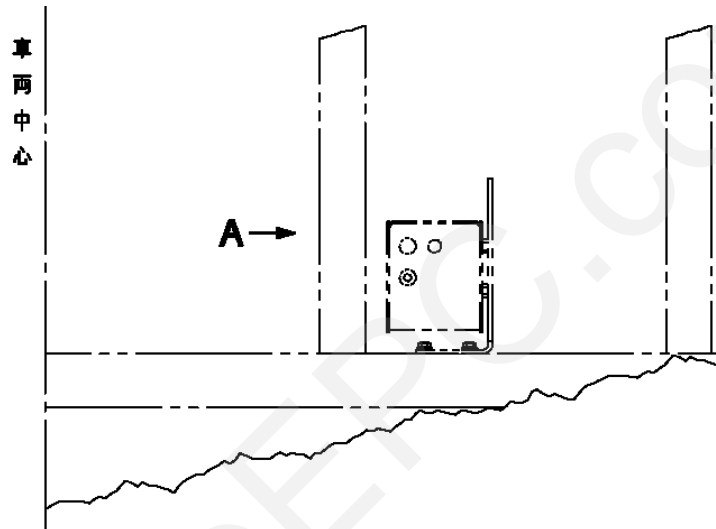


TM-ZE300 41044507044A FRAME/HOOK-IN(AWL)

Pos No.	Parts No	Parts Name	Qty	Unit	Technical Data	Serial No (Star
1	31501341100	HARNES	1			
2	91850310405	CLAMP (BLACK)	5			
3	91810130250	FASTENER	12			
4	91850100802	CLAMP (STUD BOLT MOUNT)	1			

www.AutoEPC.com

TM-ZE300 41044507044A FRAME/HOOK-IN(AWL)
PN1014707-00 ELEC.ASSY (CN99/PLUG)

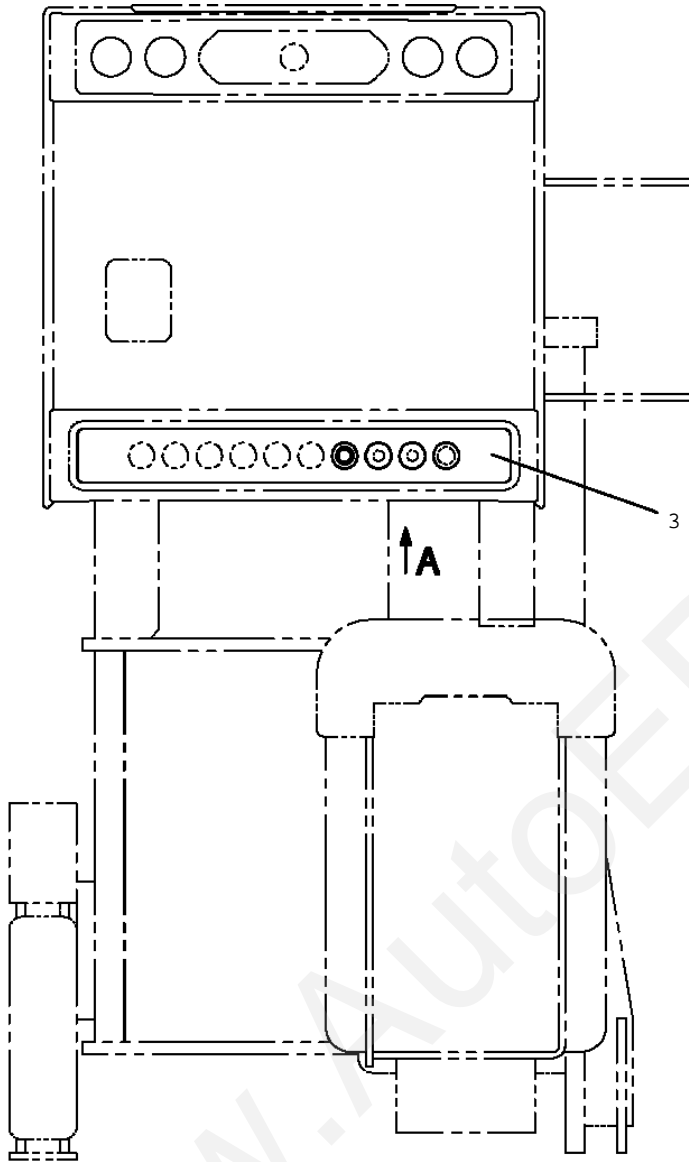


TM-ZE300 41044507044A FRAME/HOOK-IN(AWL)

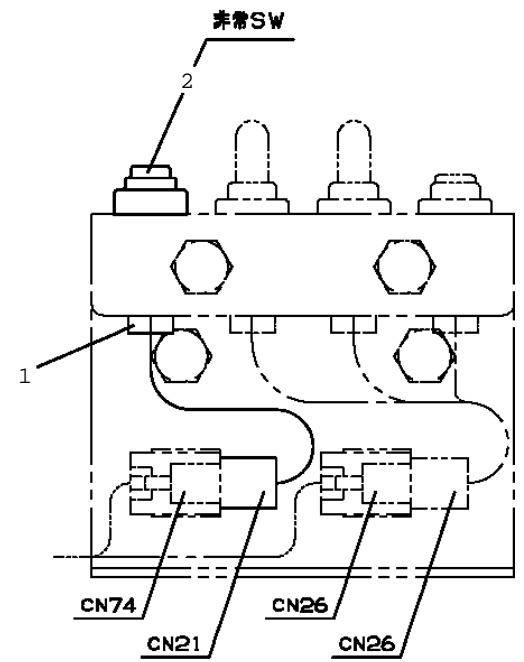
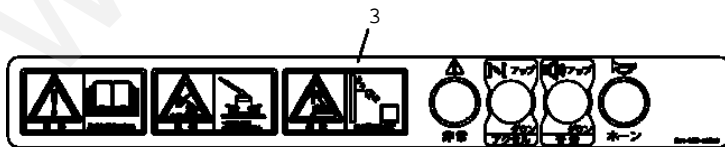
Pos No.	Parts No	Parts Name	Qty	Unit	Technical Data	Serial No (Start)
1	31652991700	PLUG (4-POLES,FEMALE)	1			
2	91810130240	FASTENER	1			
3	91850310405	CLAMP (BLACK)	1			

www.AutoEPC.com

TM-ZE300 41044507044A FRAME/HOOK-IN(AWL)
 PN1014714-01 ELEC.ASSY (EMERGENCY SWITCH)



運転席側



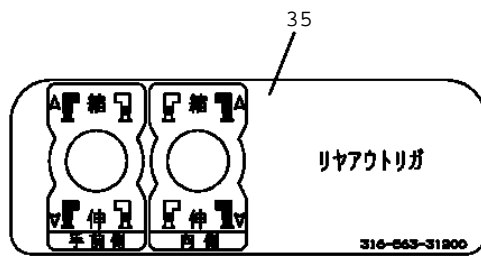
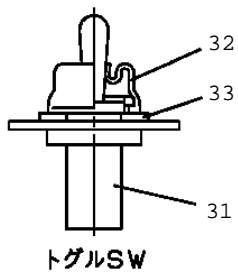
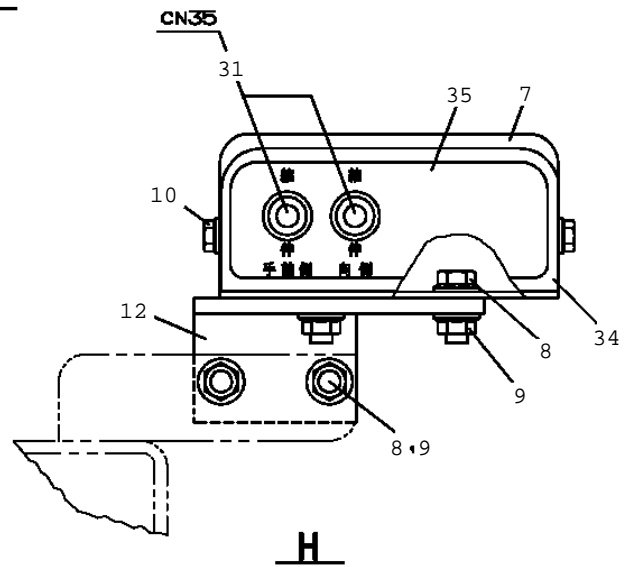
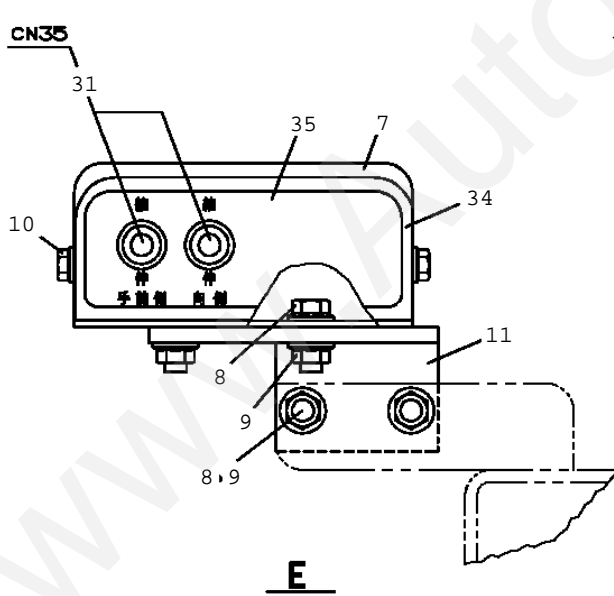
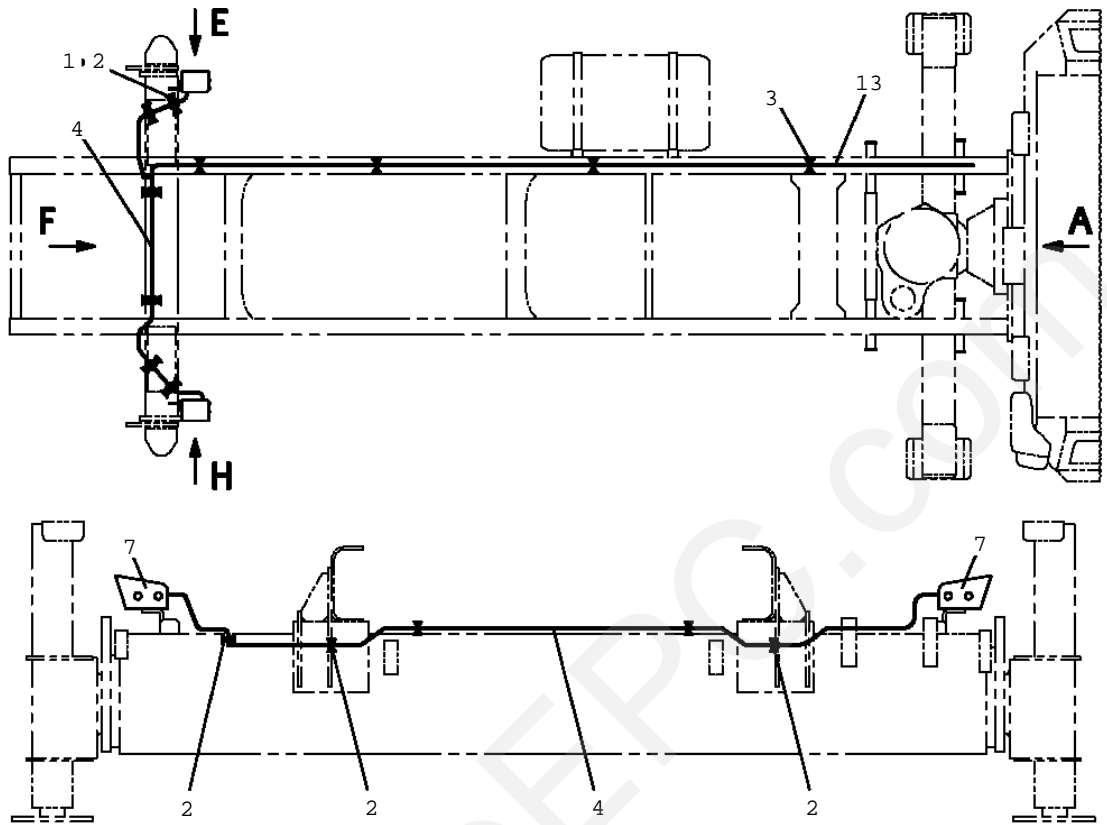
A

TM-ZE300 41044507044A FRAME/HOOK-IN(AWL)

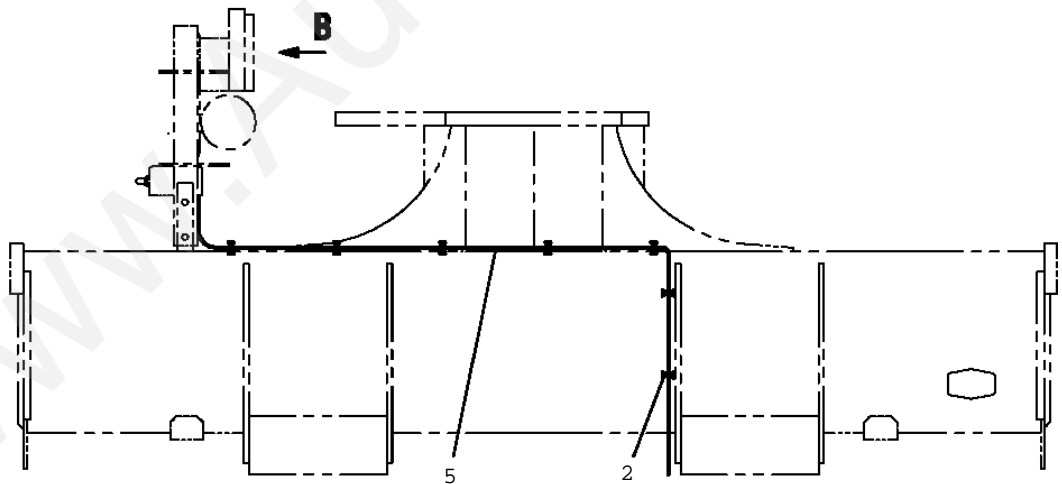
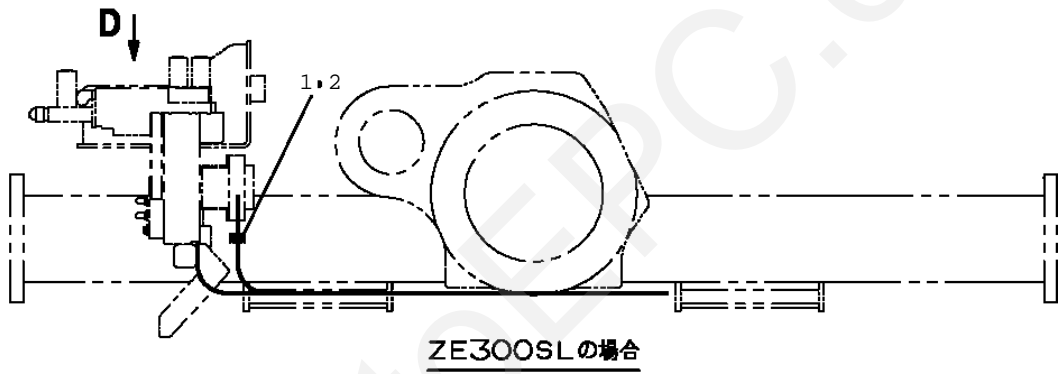
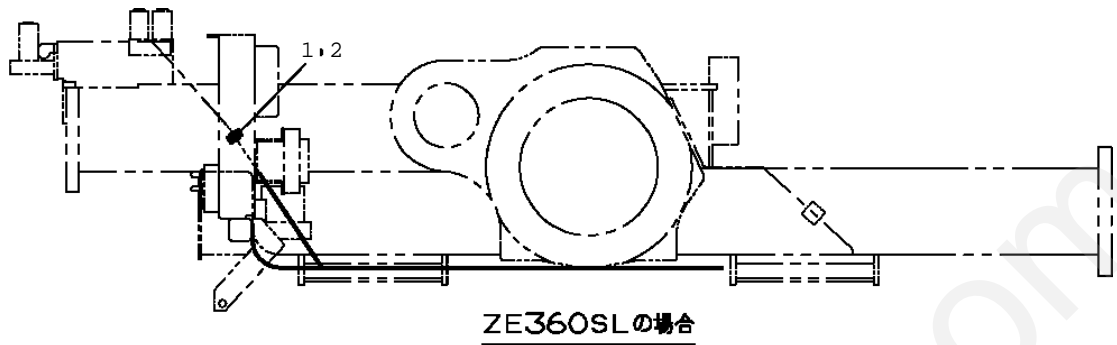
Pos No.	Parts No	Parts Name	Qty	Unit	Technical Data	Serial No (S
1	31656012211	SWITCH ASSY (PLATING:NACC)	1			
2	82197600103	CAP (RED)	1			
3	31497310310	PLATE,CAUTION	1			

www.AutoEPC.com

TM-ZE300 41044507044A FRAME/HOOK-IN(AWL)
 PN1014715-02 ELEC.ASSY (FOR REAR OUTRIGGER)

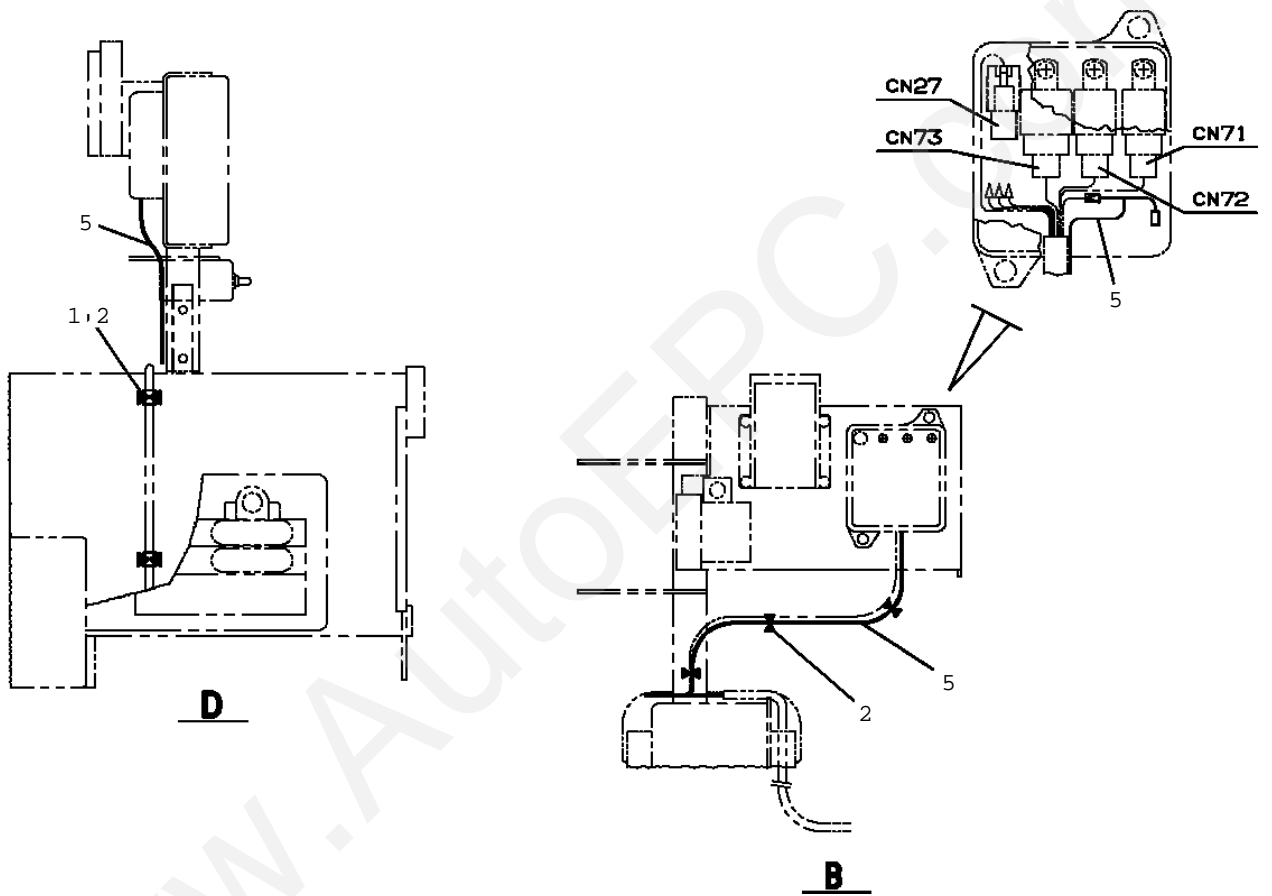


TM-ZE300 41044507044A FRAME/HOOK-IN(AWL)
PN1014715-02 ELEC.ASSY (FOR REAR OUTRIGGER)



A

TM-ZE300 41044507044A FRAME/HOOK-IN(AWL)
PN1014715-02 ELEC.ASSY (FOR REAR OUTRIGGER)

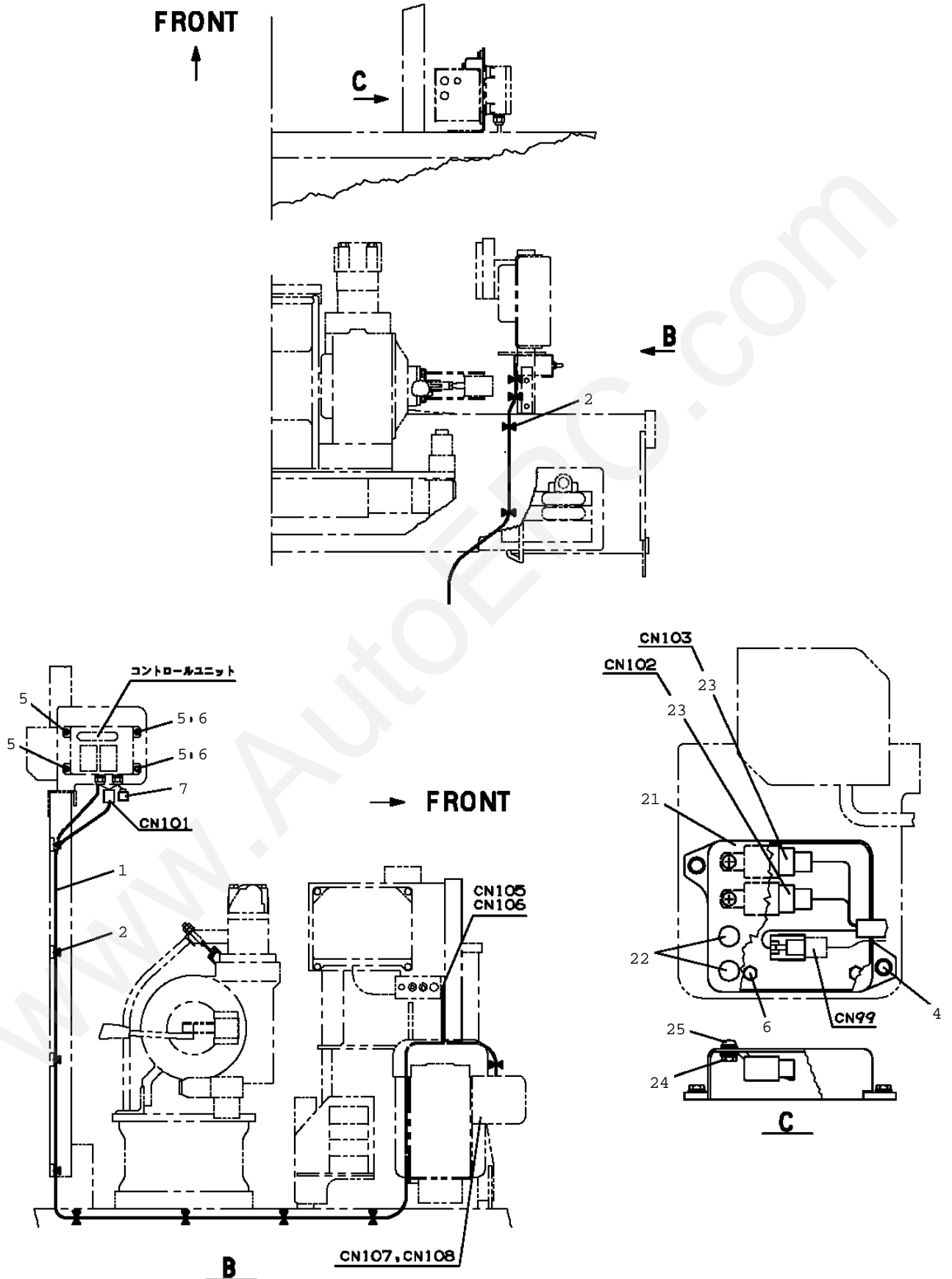


TM-ZE300 41044507044A FRAME/HOOK-IN(AWL)

Pos No.	Parts No	Parts Name	Qty	Unit	Technical Data	Serial
1	91850310405	CLAMP (BLACK)	9			
2	91810130240	FASTENER	22			
3	91810130250	FASTENER	5			
4	31656370100	HARNESS	1			
5	31656370200	HARNESS	1			
7	31657280200	COVER	2			
8	90186208020	BOLT, FLANGE	8		M8X20	
9	90280200800	NUT, FLANGE	8		M8	
10	90186206010	BOLT, FLANGE	6		M6X10	
11	31653470100	SUPPORT	1			
12	31653470200	SUPPORT	1			
13	31653500300	HARNESS	1		L=5300	
31	31653322200	SWITCH ASSY (WITH HARNESS, 2-SW)	2			
32	82199514013	CAP	4			
33	82199504017	NUT	4		AT-401N	
34	31657282100	SUPPORT	2			
35	31656331200	PLATE, NAME	2			

www.AutoEPC.com

TM-ZE300 41044507044A FRAME/HOOK-IN(AWL)
 PN1014717-01 ELEC.ASSY (HARNESS FOR SR)

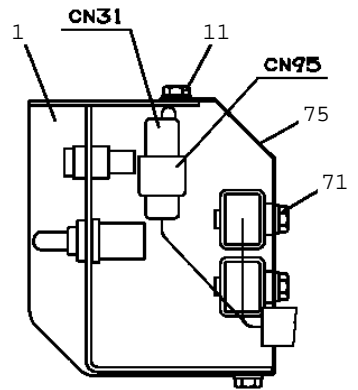
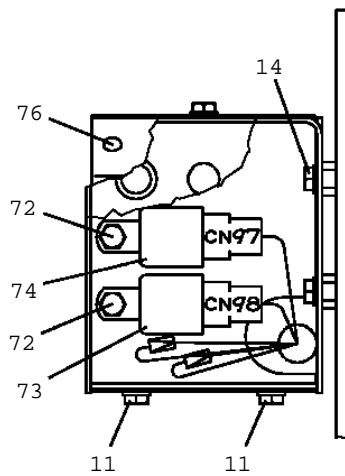
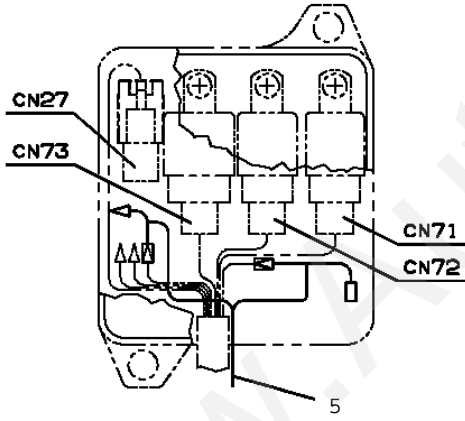
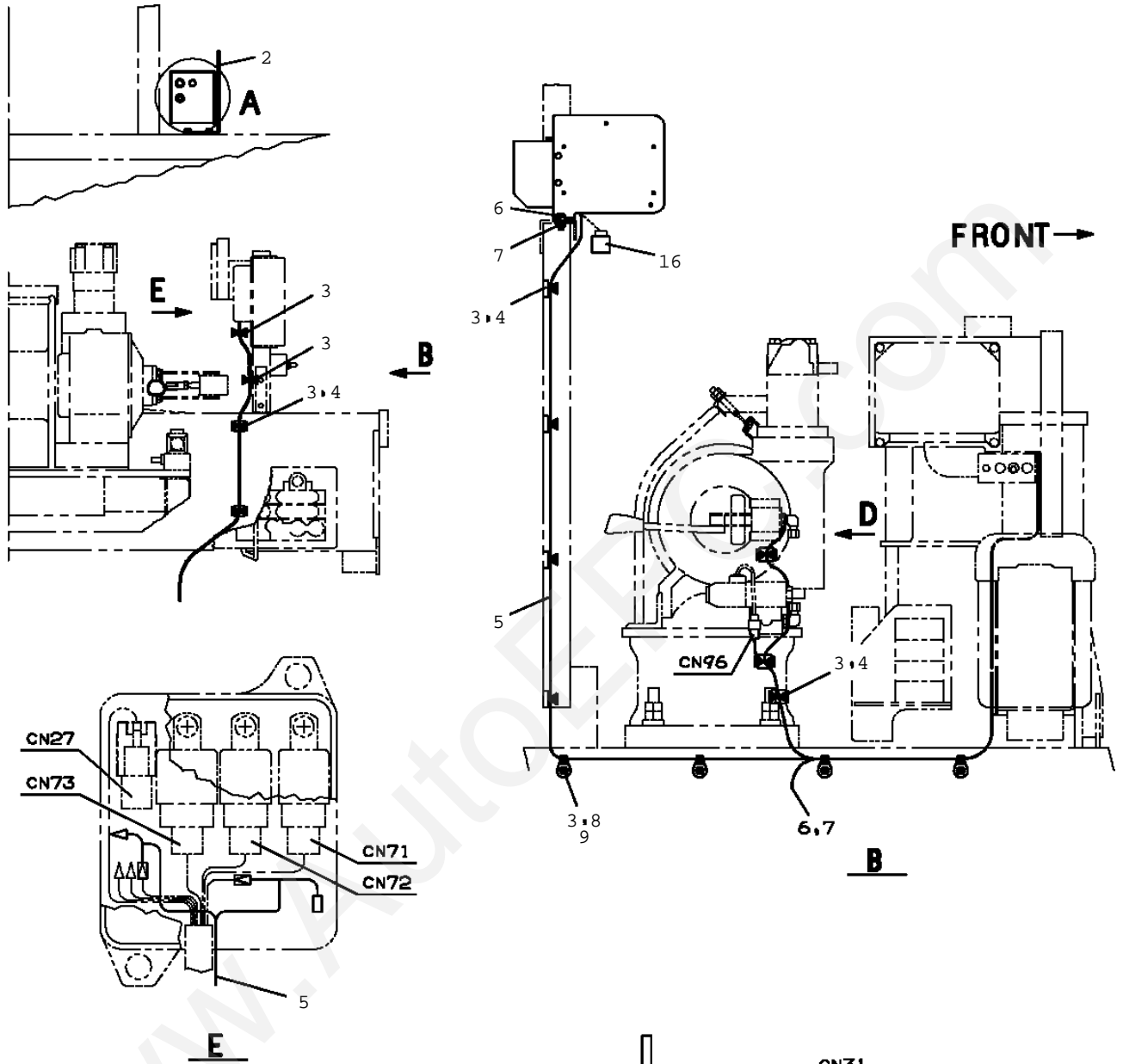


TM-ZE300 41044507044A FRAME/HOOK-IN(AWL)

Pos No.	Parts No	Parts Name	Qty	Unit	Technical Data	Serial No (
1	31656350100	HARNES	1			
2	91810130240	FASTENER	15			
4	90186206014	BOLT, FLANGE	2		M6X14	
5	90186206016	BOLT, FLANGE	4		M6X16	
6	90240200600	NUT, CAP	2		M6	
7	31500931200	PLUG (2POLES, FEMALE)	1			
21	31656011200	COVER	1			
22	37002227560	PLATE, NAME (BLACK)	2		D=16	
23	82100002596	RELAY	2			
24	90280200600	NUT, FLANGE	2		M6	
25	80192486014	SCREW, MACHINE (WITH WASHER)	2		M6X14	

www.AutoEPC.com

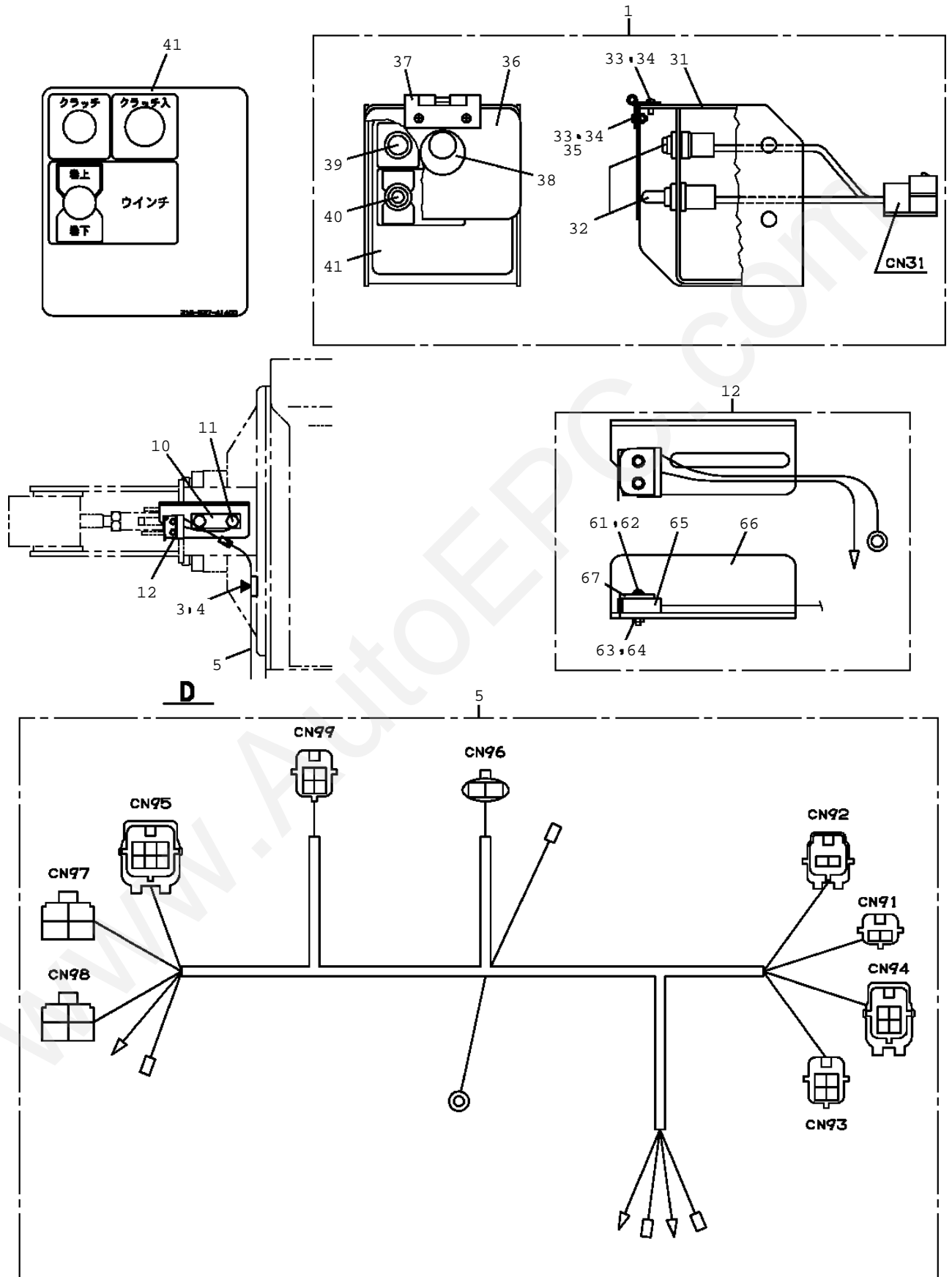
TM-ZE300 41044507044A FRAME/HOOK-IN(AWL)
 PN1014718-02 ELEC.ASSY



展開図有
 ILLUSTRATED BREAKDOWN NO.1,5.

A

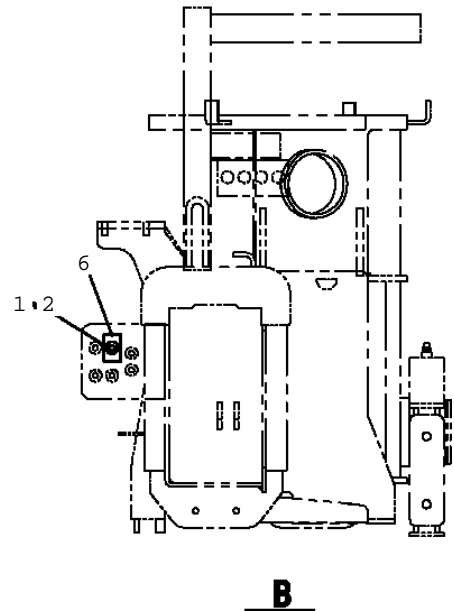
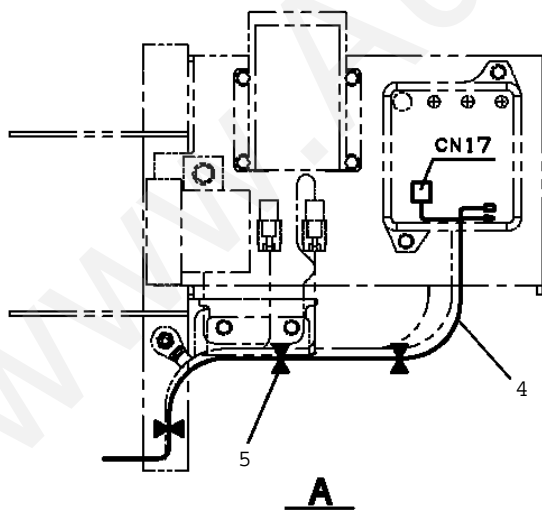
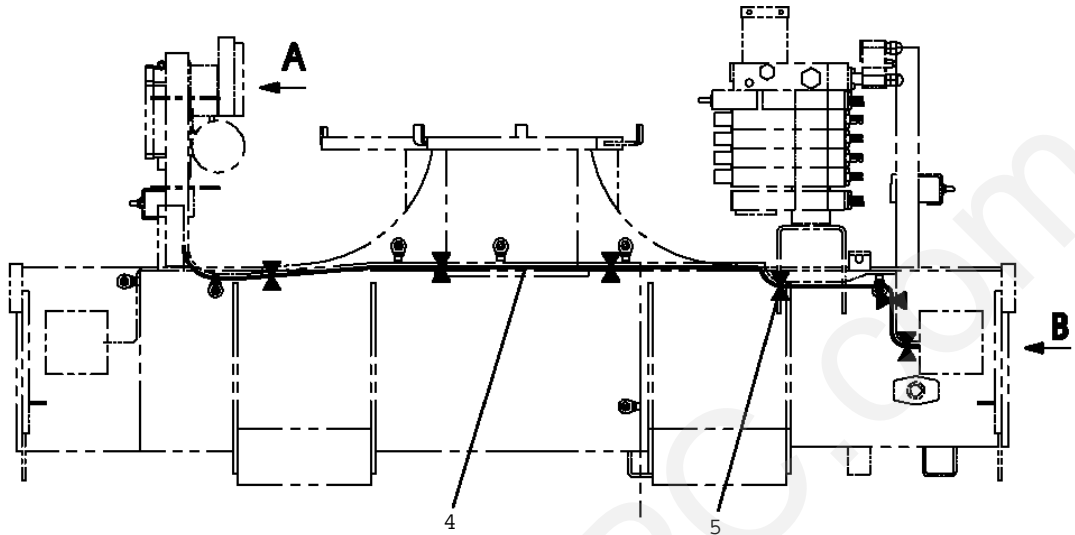
TM-ZE300 41044507044A FRAME/HOOK-IN(AWL)
 PN1014718-02 ELEC.ASSY



TM-ZE300 41044507044A FRAME/HOOK-IN(AWL)

Pos No.	Parts No	Parts Name	Qty	Unit	Technical Data	Serial No
1	31653741000	SWITCH ASSY	1			
2	31656340100	SUPPORT	1			
3	91810130240	FASTENER	20			
4	91850310405	CLAMP (BLACK)	10			
5	31656340200	HARNESS	1			
6	90186208025	BOLT, FLANGE	3		M8X25	
7	90280200800	NUT, FLANGE	3		M8	
8	91850100802	CLAMP (STUD BOLT MOUNT)	4			
9	90101206025	BOLT	4		M6X25	
10	37000576020	PLATE	1			
11	90186206016	BOLT, FLANGE	5		M6X16	
12	31653740500	SWITCH ASSY	1			
14	90186208016	BOLT, FLANGE	2		M8X16	
16	31500931200	PLUG (2POLES, FEMALE)	1			
31	31653741100	PANEL	1			
32	31653741600	SWITCH ASSY (GREEN: PANASONIC)	1			
	31653741200	SWITCH ASSY (PLATING: NACC)	1			
33	80171303008	SCREW, MACHINE	4		M3X8	
34	90302040301	WASHER, SPRING	4		3	
35	90201200300	NUT	2		M3	
36	31653741300	COVER	1			
37	82464104601	HINGE	1			
38	42650551130	LAMP ASSY (GREEN)	1			
39	82197600103	CAP (RED)	1			
40	82197518119	CAP (PLUS ONE MFG./BLACK)	1			
	82197518114	CAP (MATSUSHITA/BLACK)	1			
41	31653741400	PLATE, NAME	1			
61	80161302014	SCREW, MACHINE	2		M2X14	
62	90303070201	WASHER, PLAIN	2		2	
63	90302040201	WASHER, SPRING (2)	2			
64	90201200200	NUT	2		M2	
65	31652231120	SWITCH	1			
66	31653740510	SUPPORT	1			
67	31653740520	SUPPORT	1			
71	90186206014	BOLT, FLANGE	2		M6X14	
72	90201200600	NUT	2		M6	
73	82100002596	RELAY	1			
74	82100002597	RELAY	1			
75	31653742100	COVER	1			
76	37002227560	PLATE, NAME (BLACK)	1		D=16	

TM-ZE300 41044507044A FRAME/HOOK-IN(AWL)
PN1014756-02 ELEC.ASSY (FRAME)

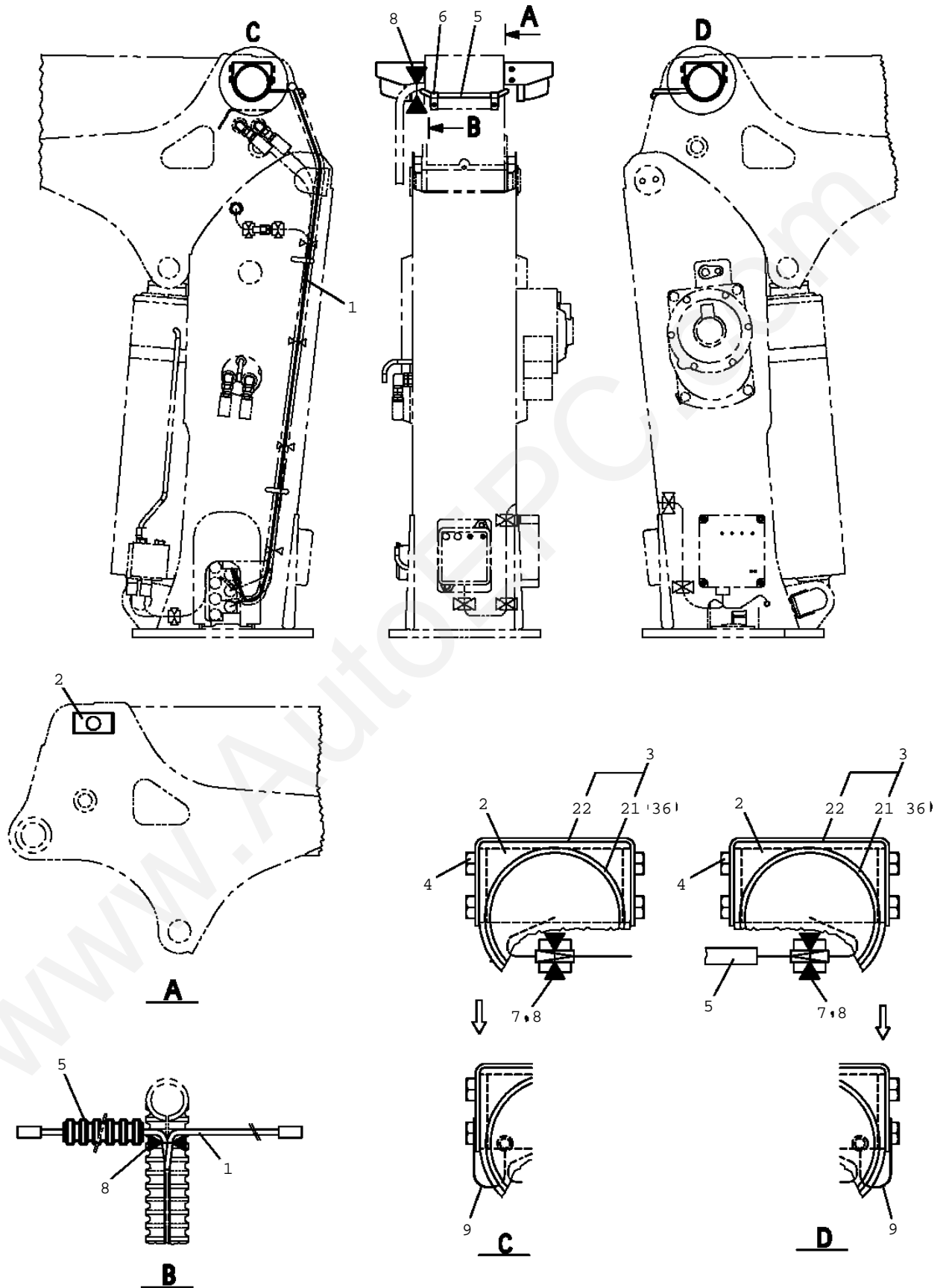


TM-ZE300 41044507044A FRAME/HOOK-IN(AWL)

Pos No.	Parts No	Parts Name	Qty	Unit	Technical Data	Serial No (S
1	31477311500	SWITCH ASSY (PANASONIC)	1			
	31477311200	SWITCH ASSY (PLATING:NACC)	1			
2	82197518119	CAP (PLUS ONE MFG./BLACK)	1			
	82197518114	CAP (MATSUSHITA/BLACK)	1			
4	31501401100	HARNESS	1		L=2250	
5	91810130240	FASTENER	9			
6	31501191200	PLATE,NAME	1			

www.AutoEPC.com

TM-ZE300 41044507044A FRAME/HOOK-IN(AWL)
PN1014758-02 ELEC.ASSY (LAMP)

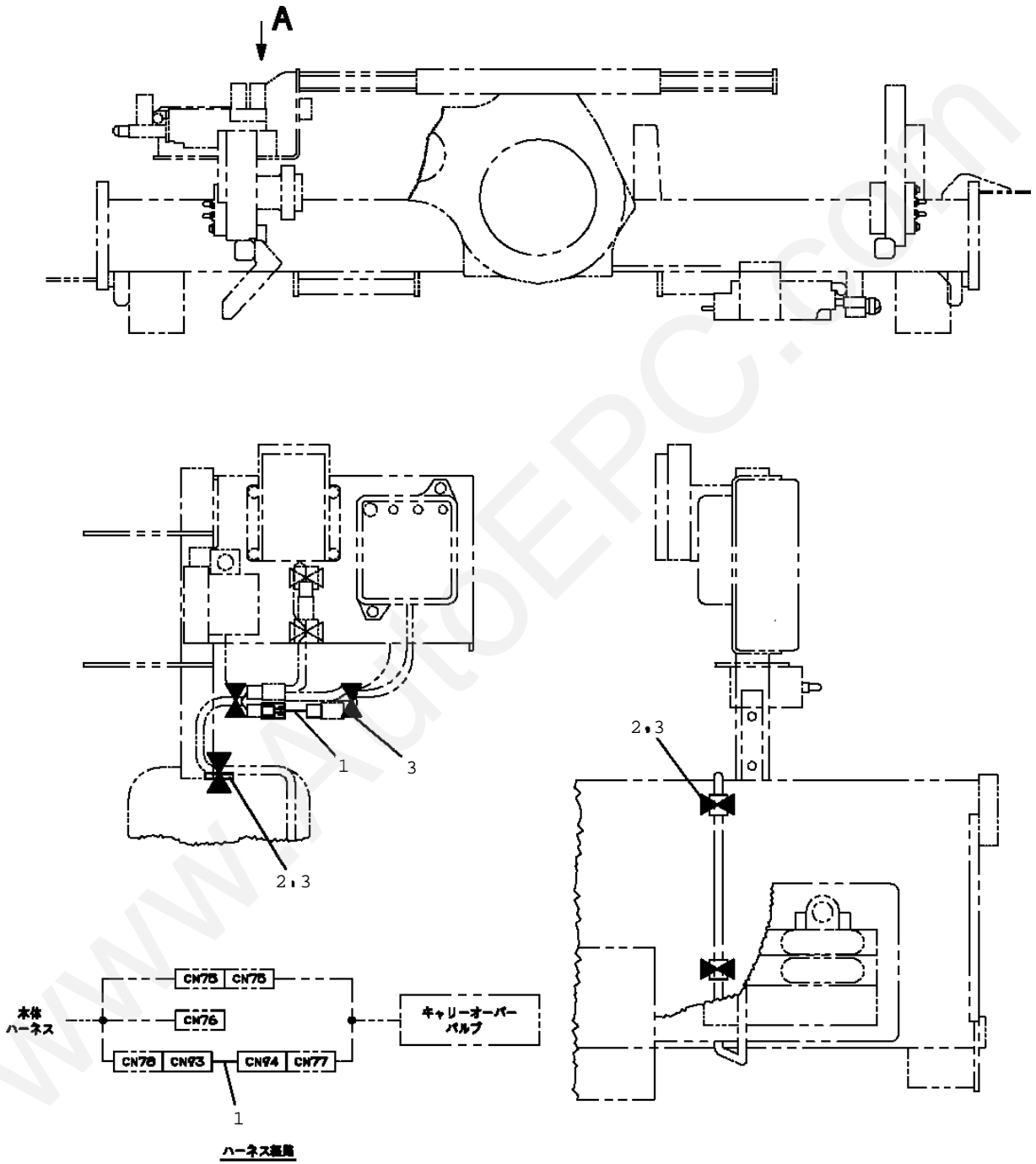


TM-ZE300 41044507044A FRAME/HOOK-IN(AWL)

Pos No.	Parts No	Parts Name	Qty	Unit	Technical Data	Serial No (Star
1	31360741200	HARNES	1			
2	31360202500	SUPPORT	2			
3	31501491100	LAMP ASSY	2			
4	90186206010	BOLT, FLANGE	8		M6X10	
5	31501491200	COVER	1			
6	82100002007	CLAMP	2		WRC10	
7	91850310305	CLAMP	2			
8	91810130240	FASTENER	3			
9	31350700300	HARNES	2		L=50	
21	82199444326	LAMP (YELLOW) <24V 12W)	2			
22	31501491110	SUPPORT	2			
36	82166136411	BULB, LAMP	2		24V/12W	

www.AutoEPC.com

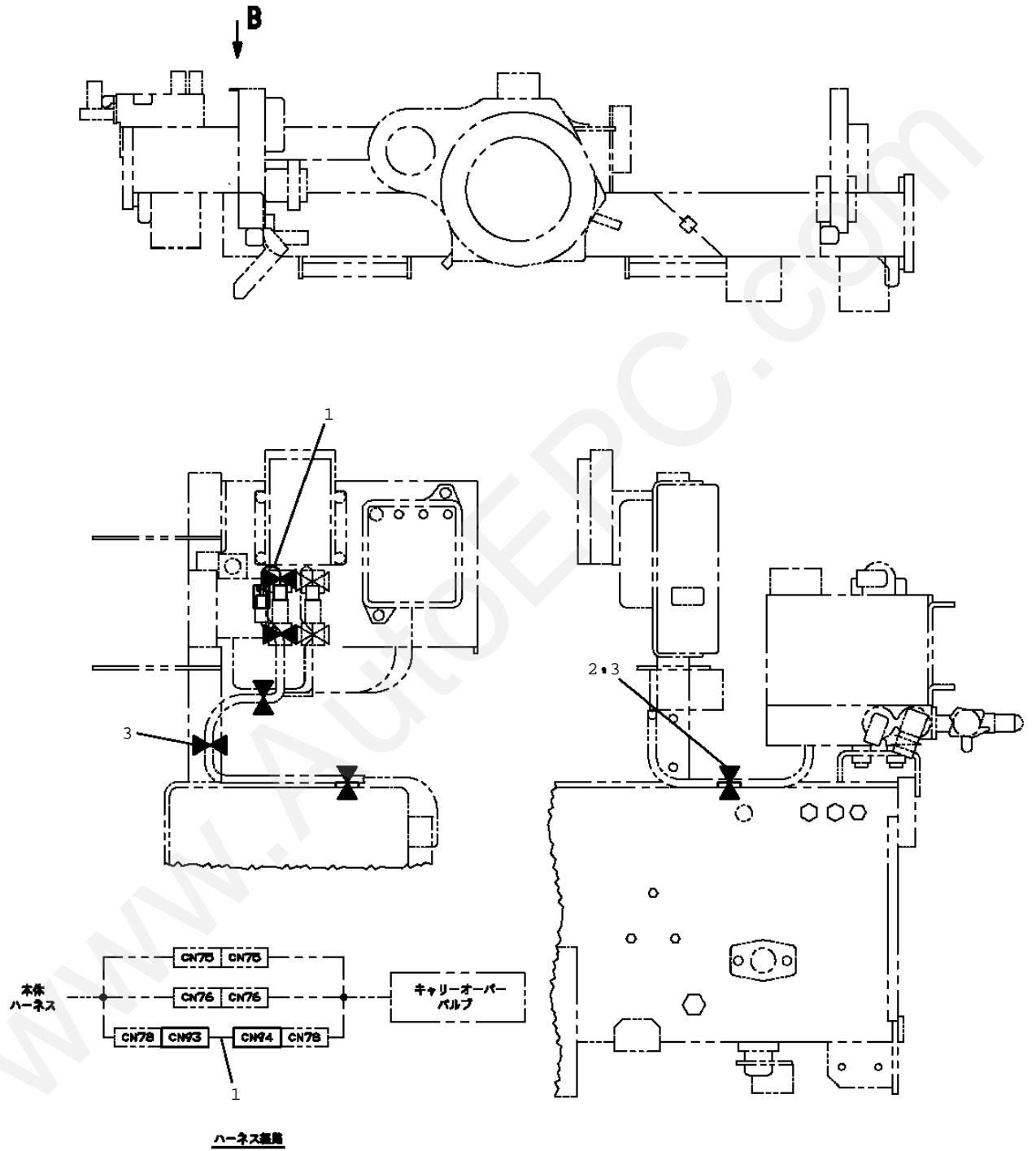
TM-ZE300 41044507044A FRAME/HOOK-IN(AWL)
 PN1014761-00 ELEC.ASSY (CONNECTED HARNESS)



A

ZE300SLの場合

TM-ZE300 41044507044A FRAME/HOOK-IN(AWL)
 PN1014761-00 ELEC.ASSY (CONNECTED HARNESS)



B

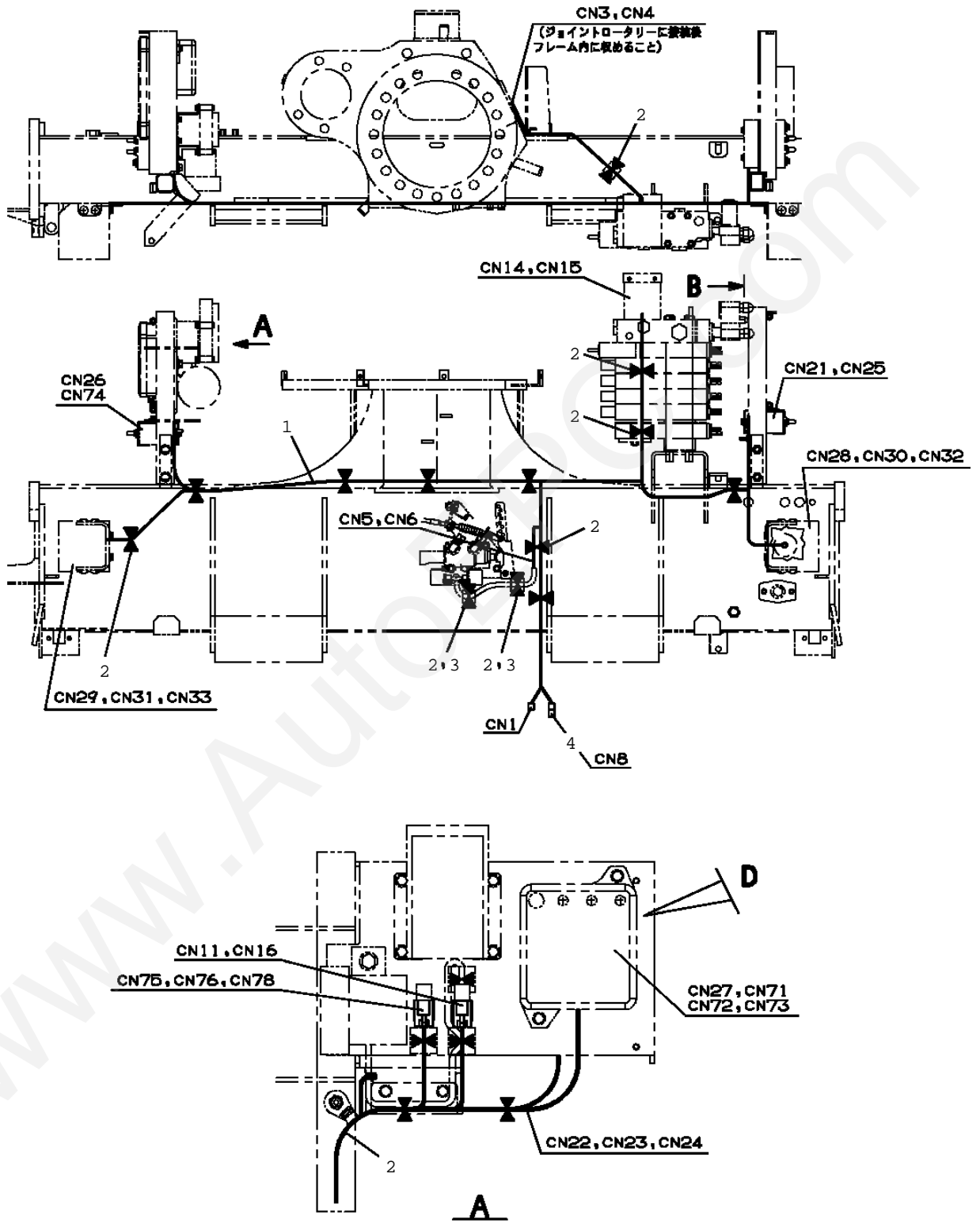
ZE360SLの場合

TM-ZE300 41044507044A FRAME/HOOK-IN(AWL)

Pos No.	Parts No	Parts Name	Qty	Unit	Technical Data	Serial No (Start)	Serial
1	31656420100	HARNES	1		L=70		
2	91850310405	CLAMP (BLACK)	3				
3	91810130240	FASTENER	5				

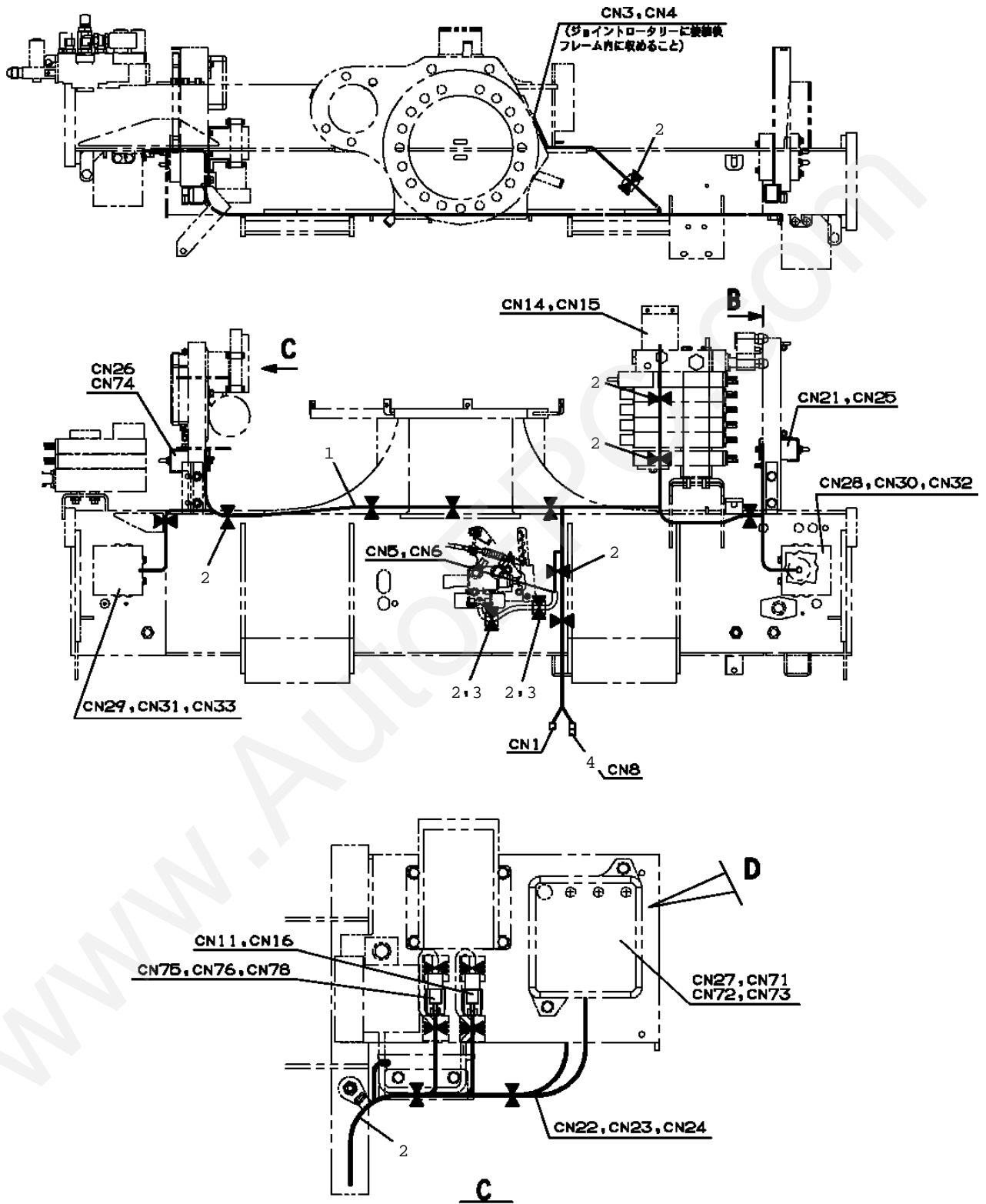
www.AutoEPC.com

TM-ZE300 41044507044A FRAME/HOOK-IN(AWL)
 PN1014770-02 ELEC.ASSY



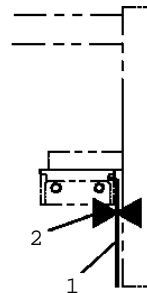
(ZE300SL)

TM-ZE300 41044507044A FRAME/HOOK-IN(AWL)
 PN1014770-02 ELEC.ASSY

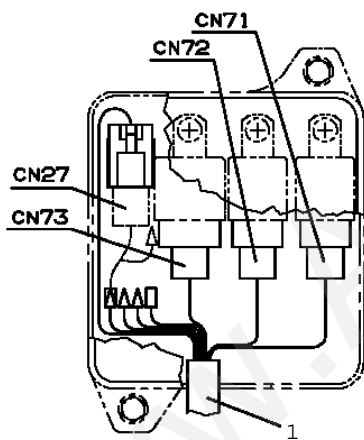


(ZE360SL, ZE360STDP)

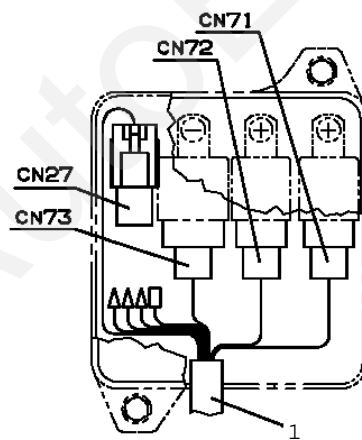
TM-ZE300 41044507044A FRAME/HOOK-IN(AWL)
 PN1014770-02 ELEC.ASSY



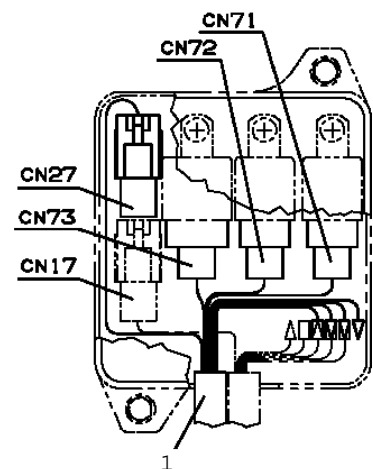
B



非安全装置
 ラジコン仕様
 マニュアル仕様
 (ブームインターロック付)



非安全装置
 マニュアル仕様
 (ブームインターロック無)



安全装置仕様の場合

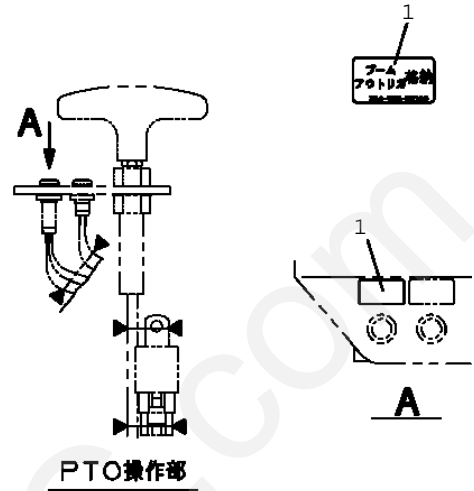
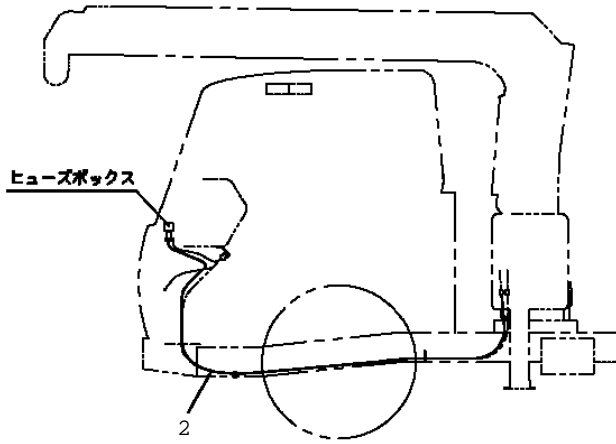
D

TM-ZE300 41044507044A FRAME/HOOK-IN(AWL)

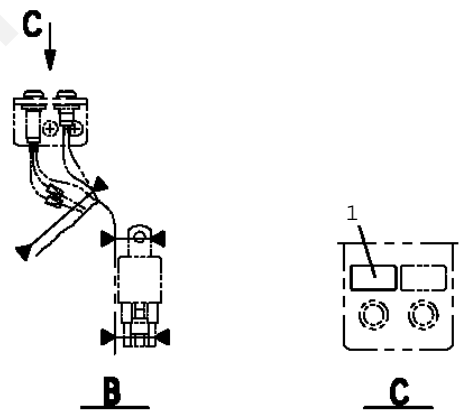
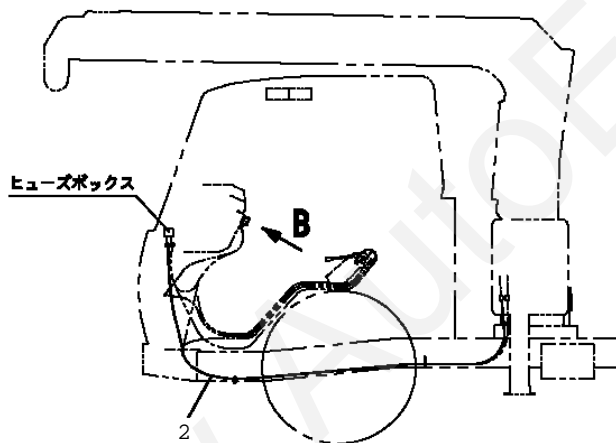
Pos No.	Parts No	Parts Name	Qty	Unit	Technical Data	Serial No (Start)	Serial
1	31656430100	HARNES	1				
2	91810130250	FASTENER	21				
3	91850310405	CLAMP (BLACK)	2				
4	31361292100	PLUG	1				

www.AutoEPC.com

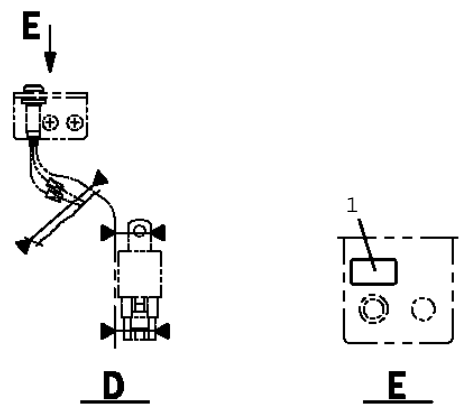
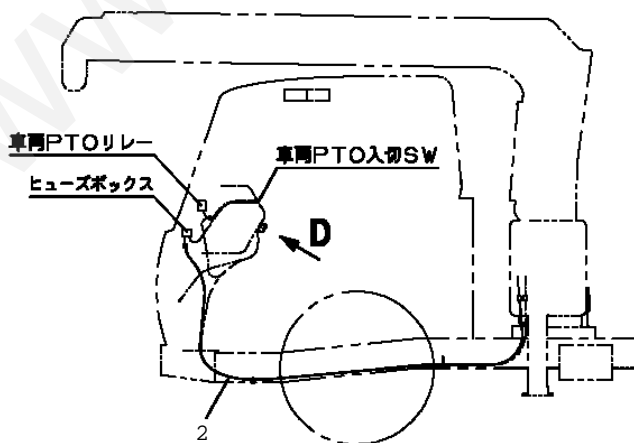
PTOレバーがハンドル横にある場合 (Aタイプ)



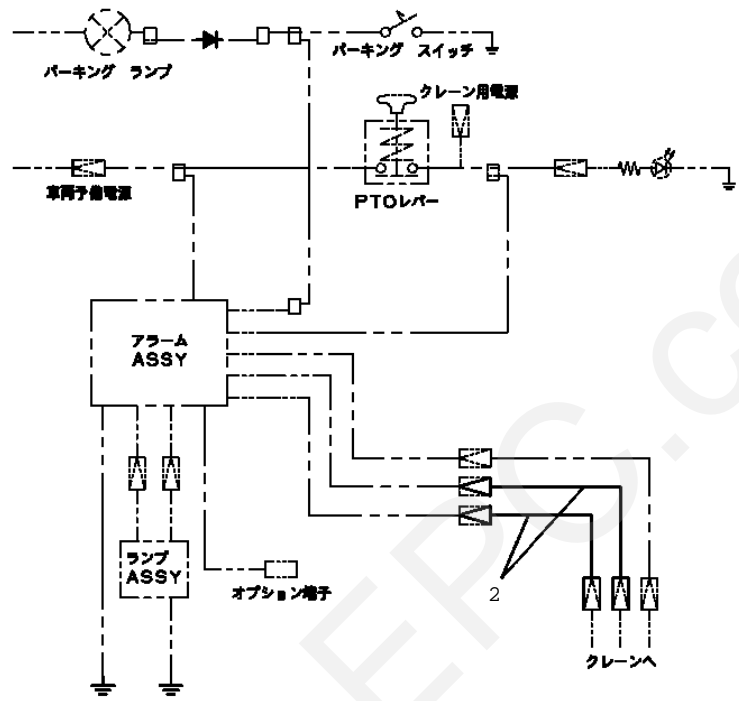
PTOレバーが座席横にある場合 (Bタイプ)



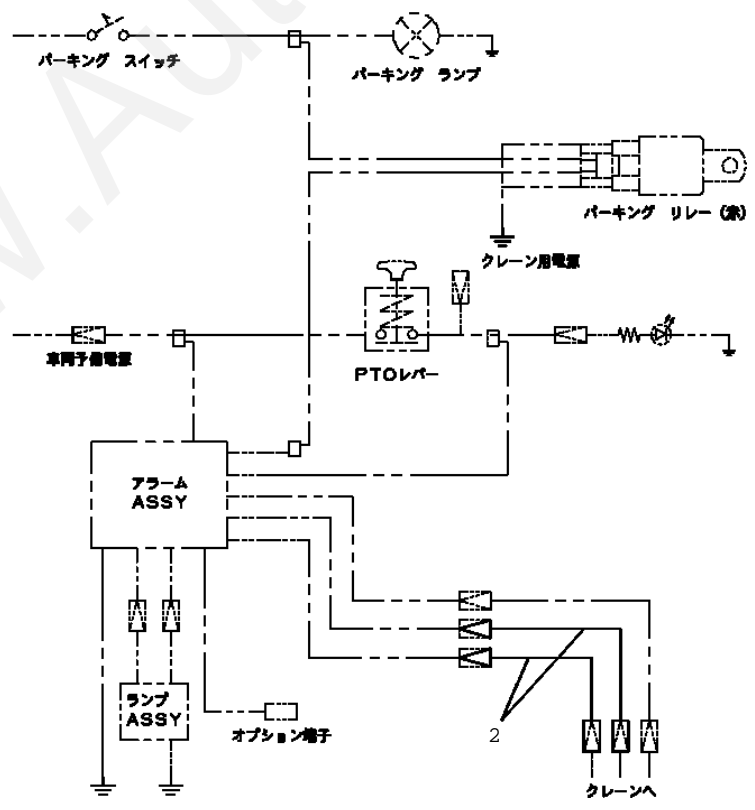
純正PTO付きの場合 (Cタイプ)



パーキングランプの下流にパーキングスイッチがある場合 (Dタイプ)



パーキングランプの上流にパーキングスイッチがある場合 (Eタイプ)

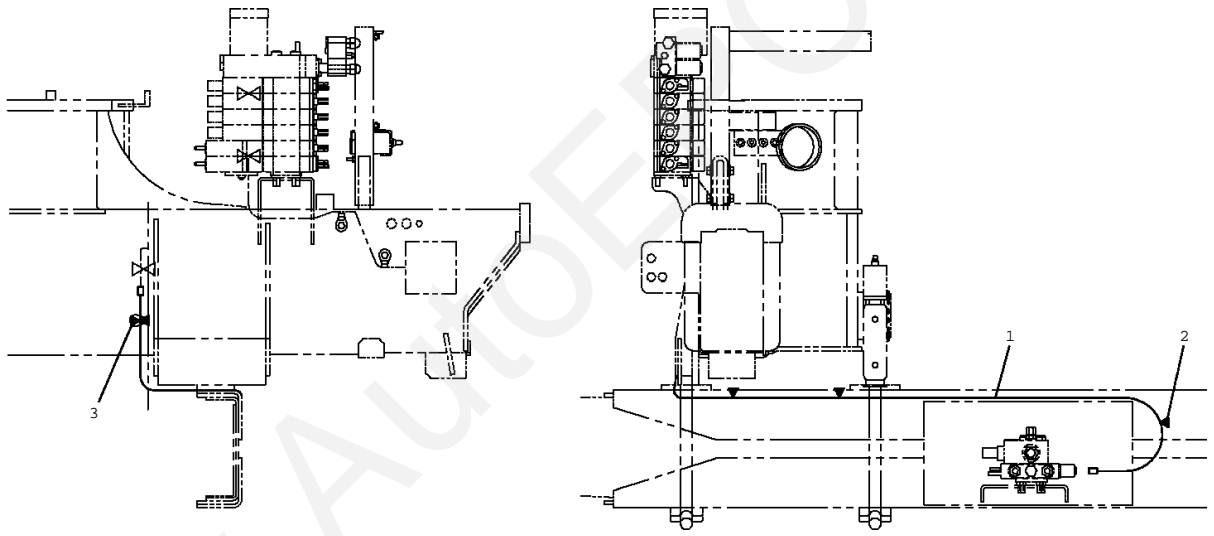


TM-ZE300 41044507044A FRAME/HOOK-IN(AWL)

Pos No.	Parts No	Parts Name	Qty	Unit	Technical Data	Serial No (Start)	Serial
1	31475352100	PLATE, NAME	1				
2	31476362400	HARNESS (RED)	2		L=6000		

www.AutoEPC.com

TM-ZE300 41044507044A FRAME/HOOK-IN(AWL)
PN1014849-00 ELEC.ASSY (VALVE)

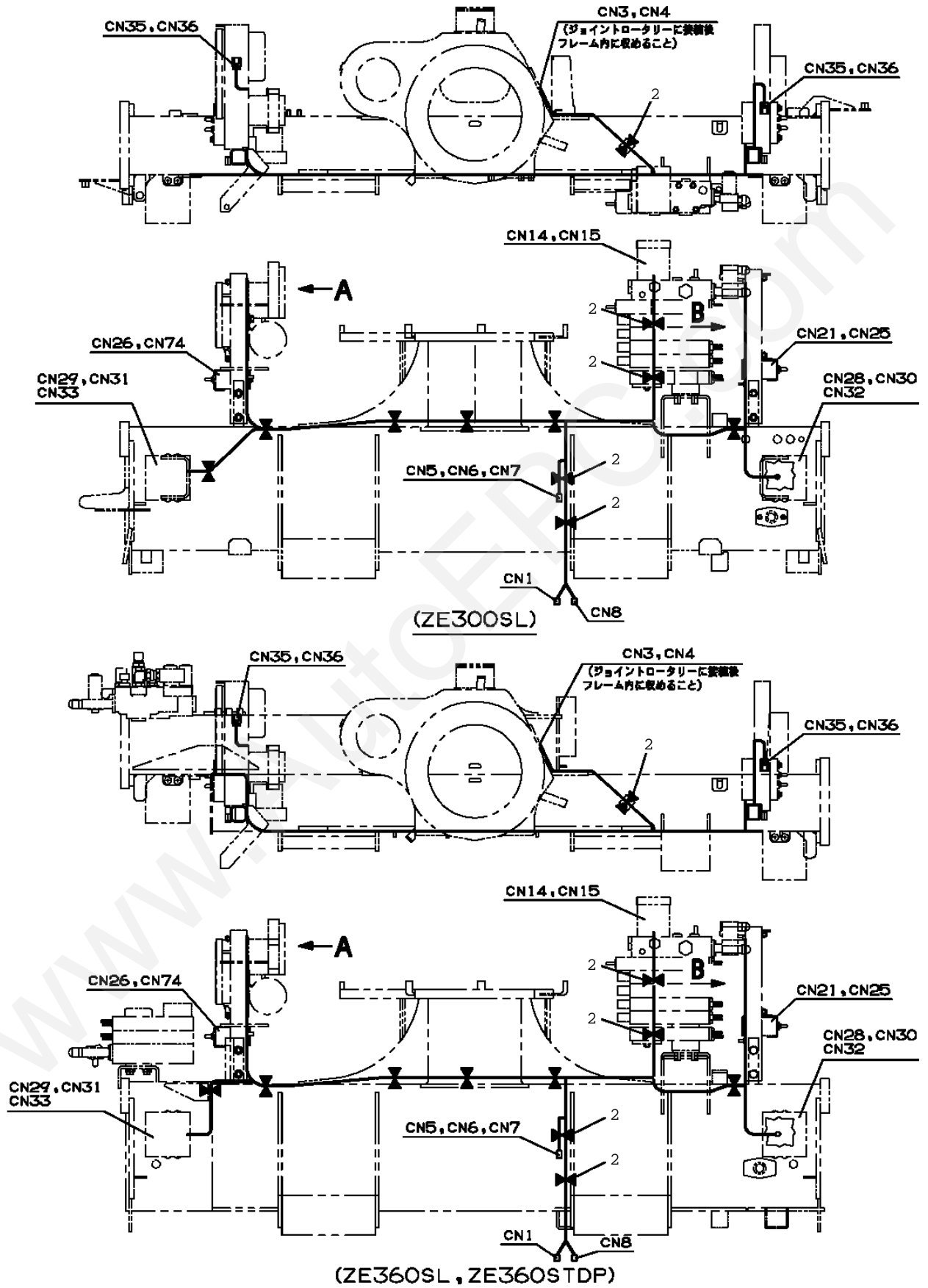


TM-ZE300 41044507044A FRAME/HOOK-IN(AWL)

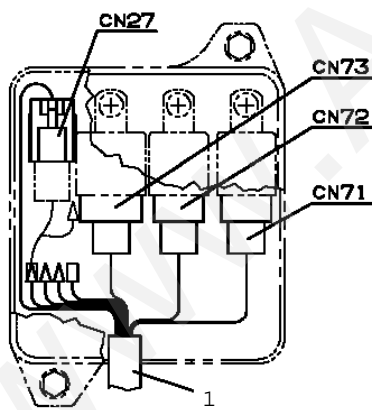
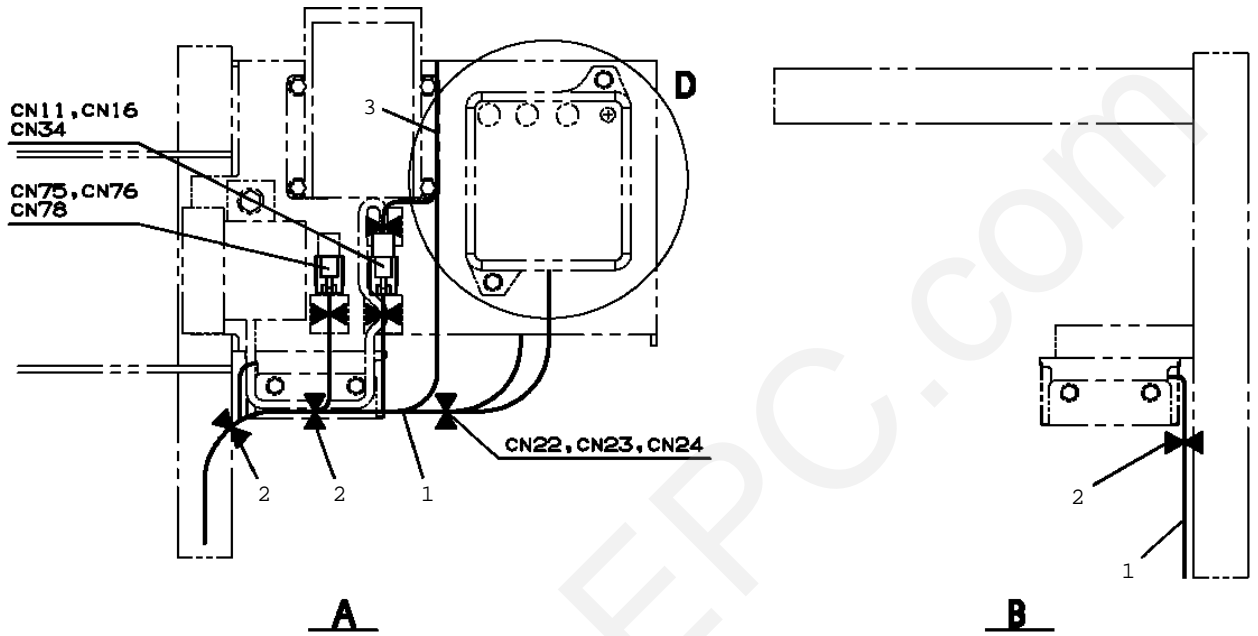
Pos No.	Parts No	Parts Name	Qty	Unit	Technical Data	Serial No (Start)	Serial No
1	31730943100	HARNES	1				
2	37000700010	CLAMP ASSY	5		15		
3	91810130250	FASTENER	5				

www.AutoEPC.com

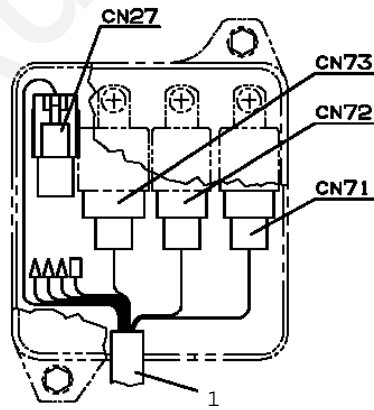
TM-ZE300 41044507044A FRAME/HOOK-IN(AWL)
PN1014851-01 ELEC.ASSY (FRAME)



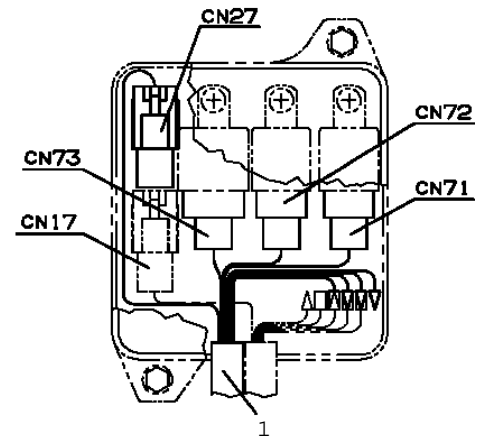
TM-ZE300 41044507044A FRAME/HOOK-IN(AWL)
 PN1014851-01 ELEC.ASSY (FRAME)



非安全装置
 ラジコン仕様
 マニュアル仕様
 (ブームインターロック付)



非安全装置
 マニュアル仕様
 (ブームインターロック無)



安全装置仕様

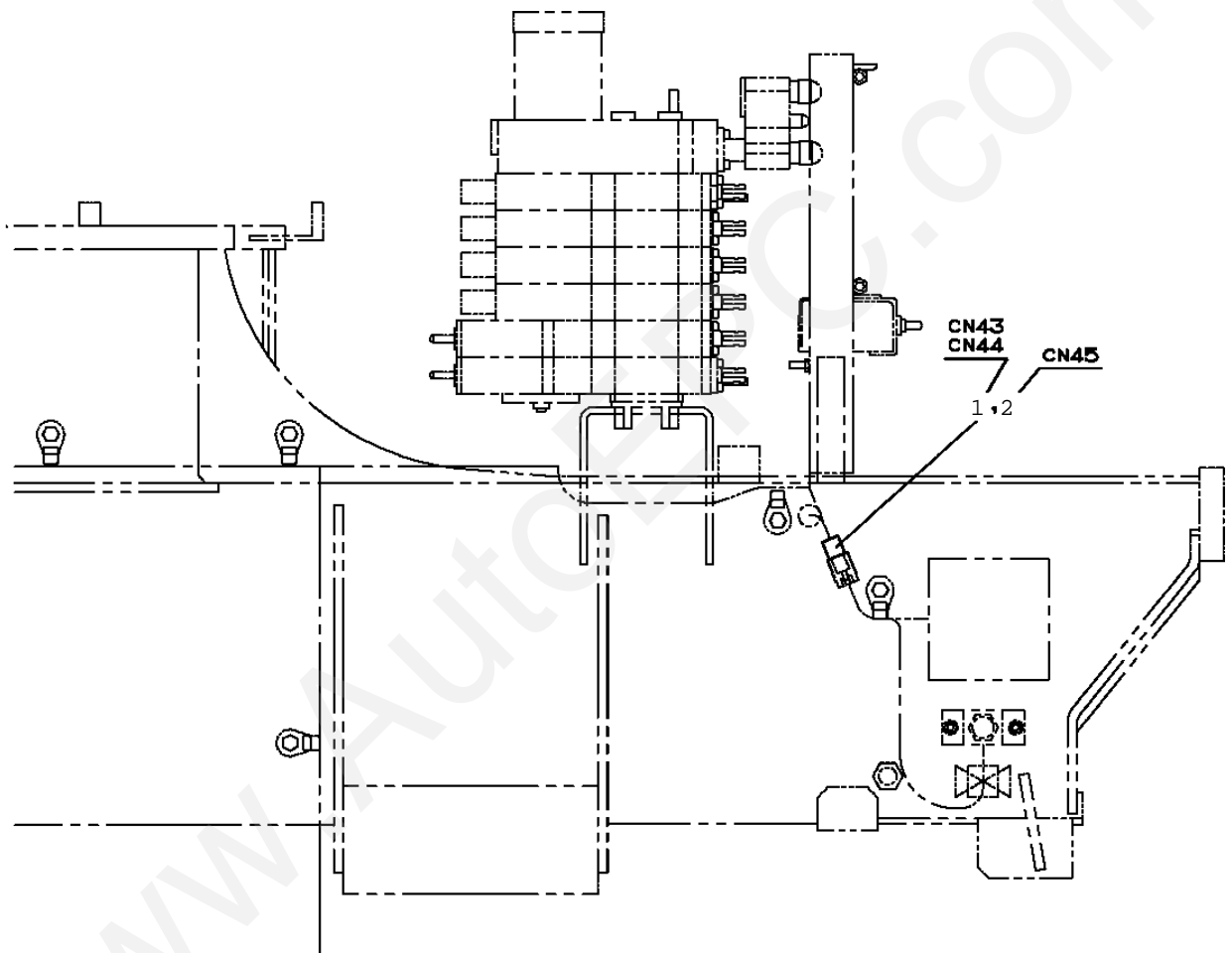
D

TM-ZE300 41044507044A FRAME/HOOK-IN(AWL)

Pos No.	Parts No	Parts Name	Qty	Unit	Technical Data	Serial No (Start)	Serial No
1	31730956100	HARNESS	1				
2	91810130250	FASTENER	19				
3	31730946200	HARNESS	1				

www.AutoEPC.com

TM-ZE300 41044507044A FRAME/HOOK-IN(AWL)
PN1014860-00 ELEC.ASSY (PLUG FOR O/R PRES.DETECTOR)



TM-ZE300 41044507044A FRAME/HOOK-IN(AWL)

Pos No.	Parts No	Parts Name	Qty	Unit	Technical Data	Serial No (Start)	S
1	31474661600	PLUG (2-POES,MALE)	4				
2	31361992100	PLUG	2				

www.AutoEPC.com

TM-ZE300 41044507044A FRAME/HOOK-IN(AWL)
PN1014903-00 ELEC.ASSY (EMERGENCY SWITCH/BOTH SIDE)

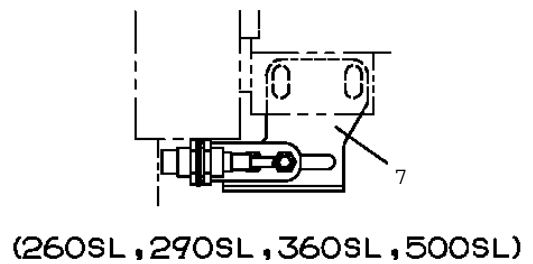
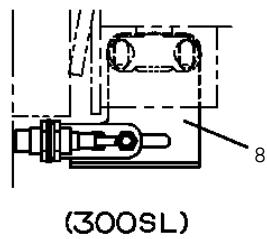
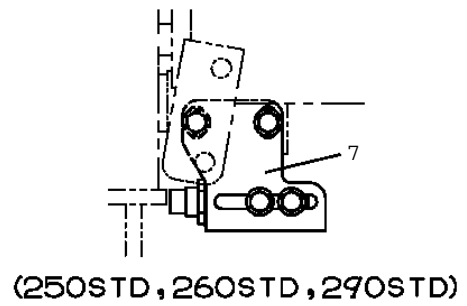
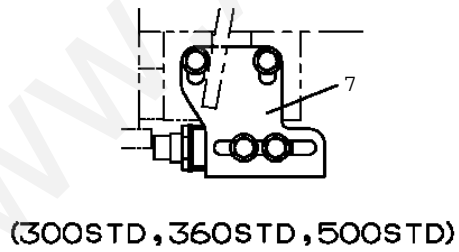
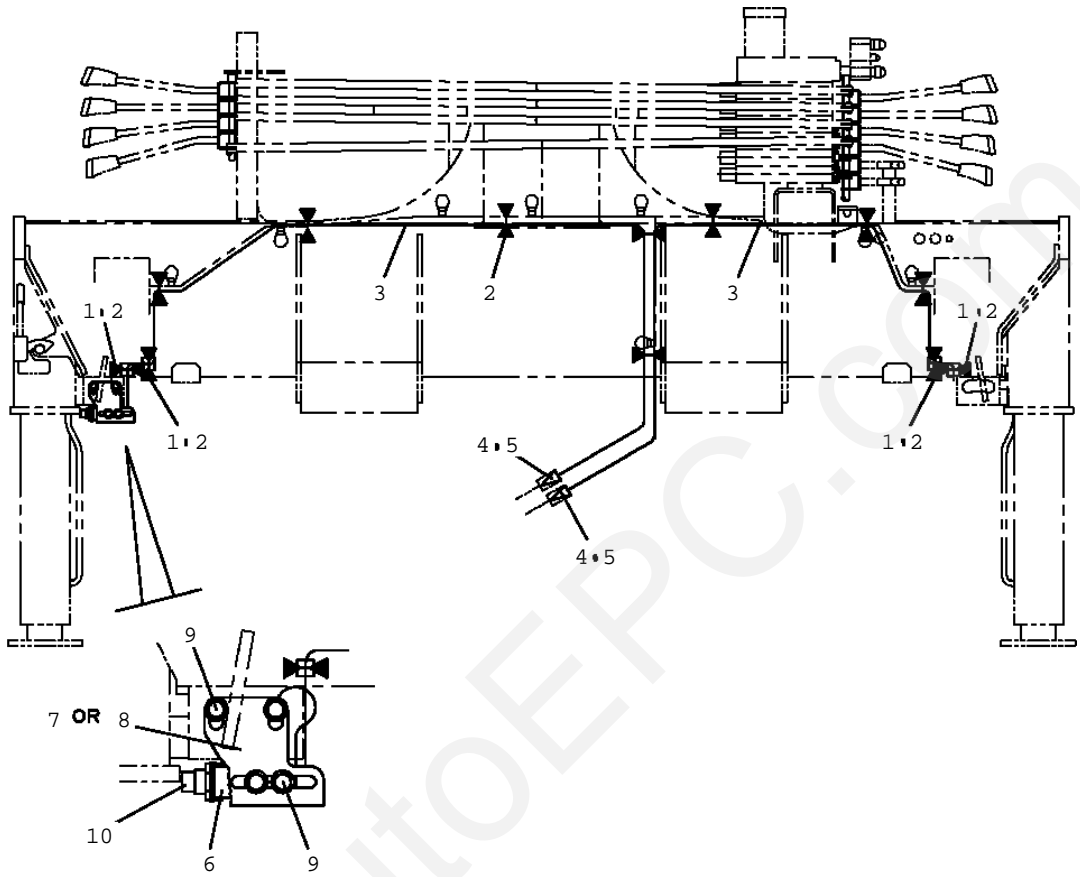
指示番号 KEY NO.	ハイセンASSY (ヒシ` ヨウスイツチ/リヨウガ` ワタイオウ) ELEC.ASSY (EMERGENCY SWITCH/BOTH SIDE)
i	ハイセンASSY ELEC.ASSY

TM-ZE300 41044507044A FRAME/HOOK-IN(AWL)

Pos No.	Parts No	Parts Name	Qty	Unit	Technical Data	Serial N
1	(*****)	ELEC.ASSY (EMERGENCY SWITCH)	1			

www.AutoEPC.com

TM-ZE300 41044507044A FRAME/HOOK-IN(AWL)
 PN1014910-01 ELEC.ASSY (OUTRIGGER)

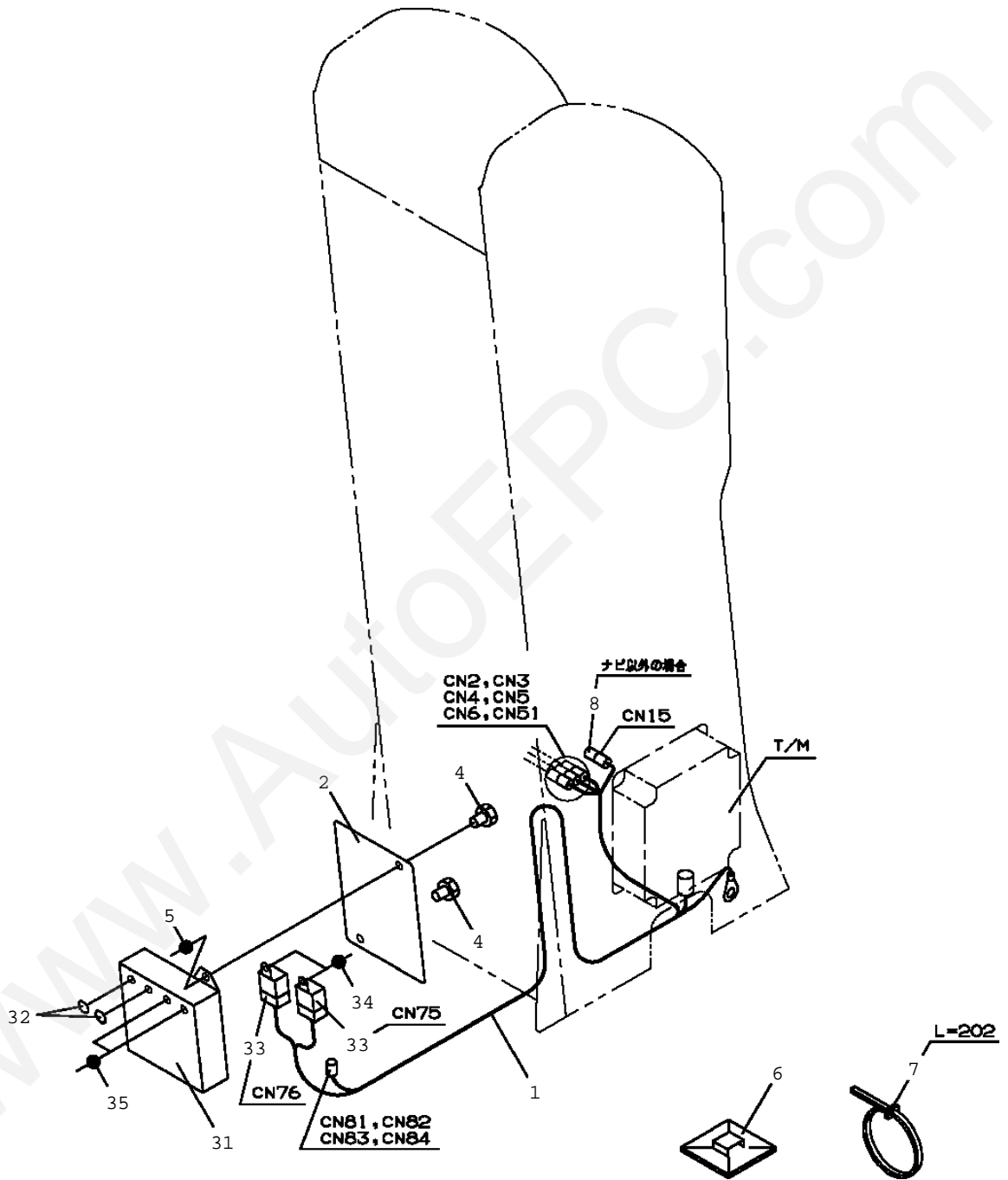


TM-ZE300 41044507044A FRAME/HOOK-IN(AWL)

Pos No.	Parts No	Parts Name	Qty	Unit	Technical Data	Serial No (Start)	Serial
1	91850310305	CLAMP	8				
2	91810130240	FASTENER	16				
3	31476361100	HARNESS (RED)	2		L=2000		
4	82100000192	TERMINAL	2				
5	82100000182	INSULATOR	2				
6	31501301100	SUPPORT	2				
7	31501591100	SUPPORT	2				
8	31501301300	SUPPORT	2				
9	90186208014	BOLT, FLANGE	8		M8X14		
10	82108501240	SWITCH	2				

www.AutoEPC.com

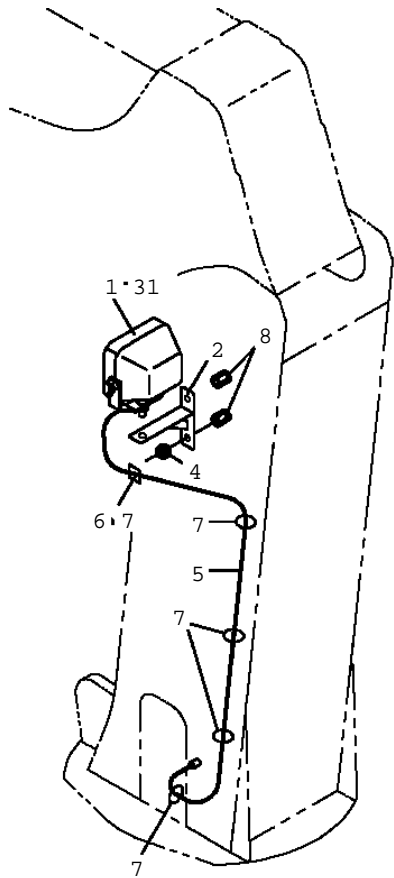
TM-ZE300 41044507044A FRAME/HOOK-IN(AWL)
PN1015031-00 ELEC.ASSY (POST/RELAY BOX)



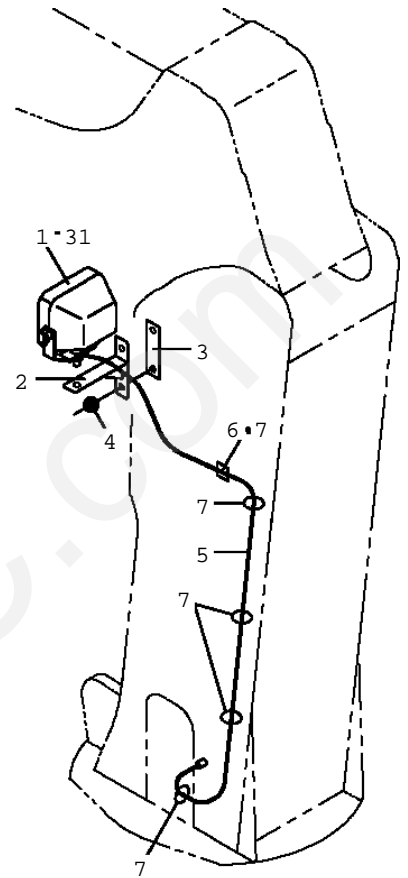
TM-ZE300 41044507044A FRAME/HOOK-IN(AWL)

Pos No.	Parts No	Parts Name	Qty	Unit	Technical Data	Serial No (
1	31501402102	HARNESS	1			
2	31501402200	PLATE	1			
4	90101206016	BOLT	2		M6X16	
5	90280200600	NUT, FLANGE	2		M6	
6	91850310405	CLAMP (BLACK)	5			
7	91810130250	FASTENER	9			
8	31476751010	CONNECTOR	1			
31	31656011200	COVER	1			
32	37002227560	PLATE, NAME (BLACK)	2		D=16	
33	82100002596	RELAY	2			
34	90280200600	NUT, FLANGE	2		M6	
35	80192486014	SCREW, MACHINE (WITH WASHER)	2		M6X14	

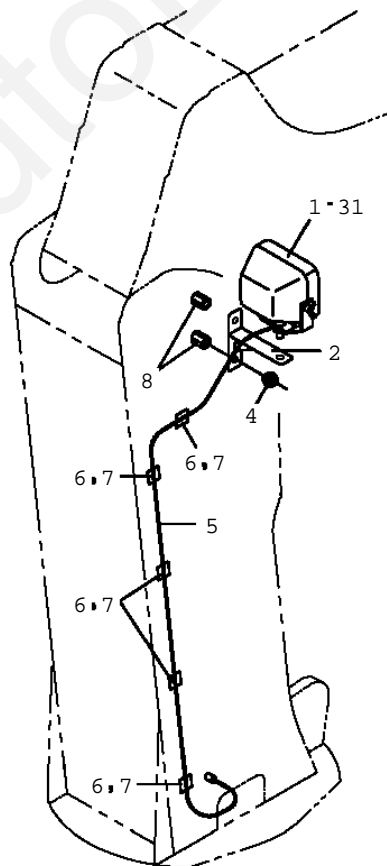
www.AutoEPC.com



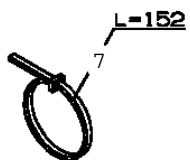
ナビの場合 (ZE250を除く)



ナビ以外の場合



ZE250ナビの場合



TM-ZE300 41044507044A FRAME/HOOK-IN(AWL)

Pos No.	Parts No	Parts Name	Qty	Unit	Technical Data	Serial No (Start)	Serial
1	82199100026	LAMP	1		24V 60W		
2	31501292101	SUPPORT	1				
3	37000588420	PLATE	1				
4	90186210020	BOLT, FLANGE	2		M10X20		
5	31473744700	HARNES (RED)	1		L=1000		
6	91850310305	CLAMP	5				
7	91810130240	FASTENER	6				
8	90288110020	NUT	2		M10		
31	82100000054	BULB, LAMP	1		24V 60W		

www.AutoEPC.com

TM-ZE300 41044507044A FRAME/HOOK-IN(AWL)
PN1080401-02 LAMP (45W BOOM WORKING)

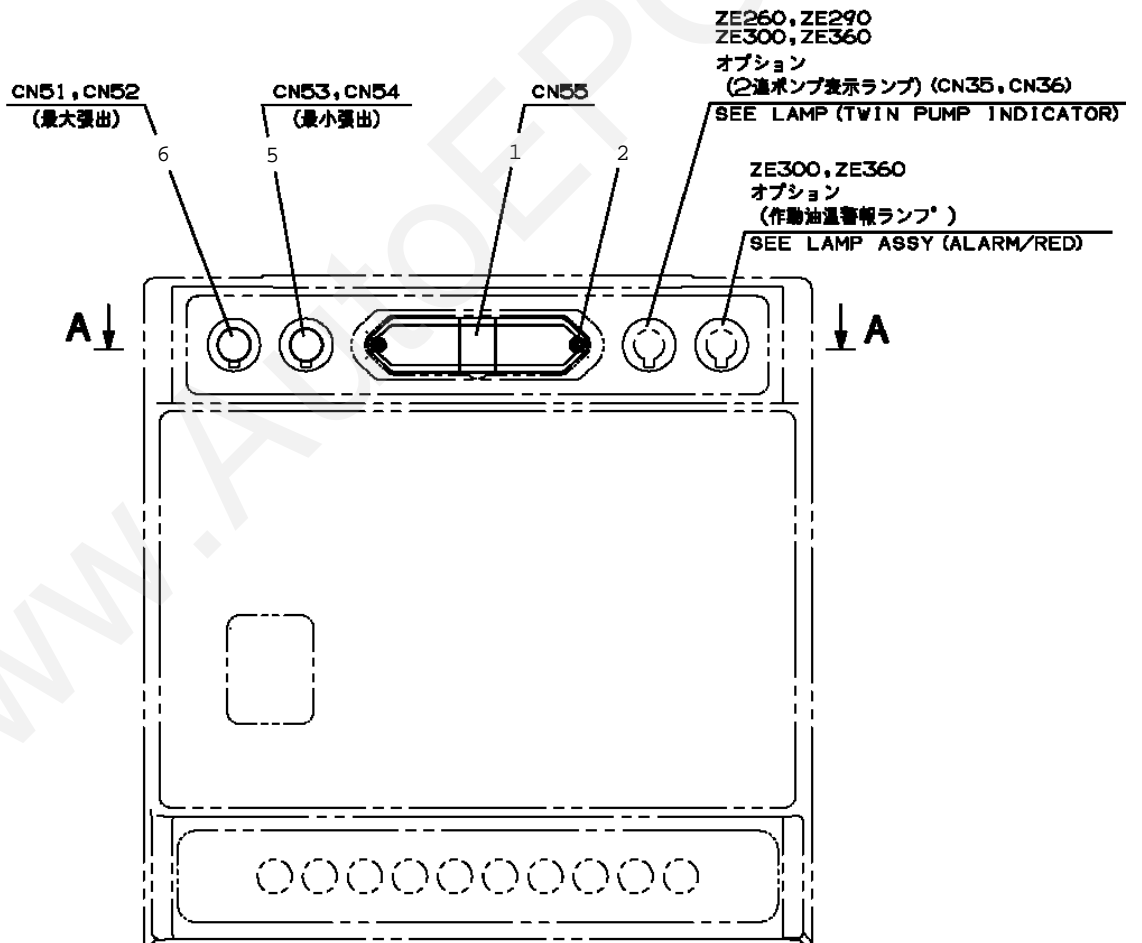
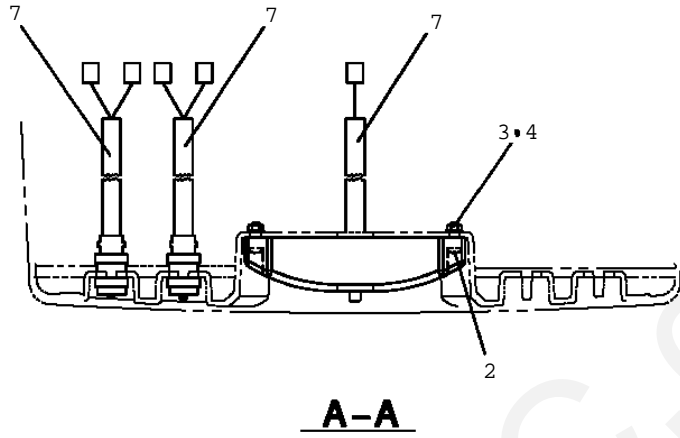
指示番号 KEY NO.	ランプ (45Wブームワーキング) LAMP (45W BOOM WORKING)
1	ハイセンASSY (ロー) ELEC. ASSY (LOWER)
2	ハイセンASSY (アツパー) ELEC. ASSY (UPPER)

TM-ZE300 41044507044A FRAME/HOOK-IN(AWL)

Pos No.	Parts No	Parts Name	Qty	Unit	Technical Data	Serial
1	(*****)	ELEC.ASSY (LOWER)	1			
2	(*****)	ELEC.ASSY (UPPER/WORKING LAMP)	1			

www.AutoEPC.com

TM-ZE300 41044507044A FRAME/HOOK-IN(AWL)
 PN1080411-02 LAMP (O/R ALARM:RIGHT SIDE PANEL)

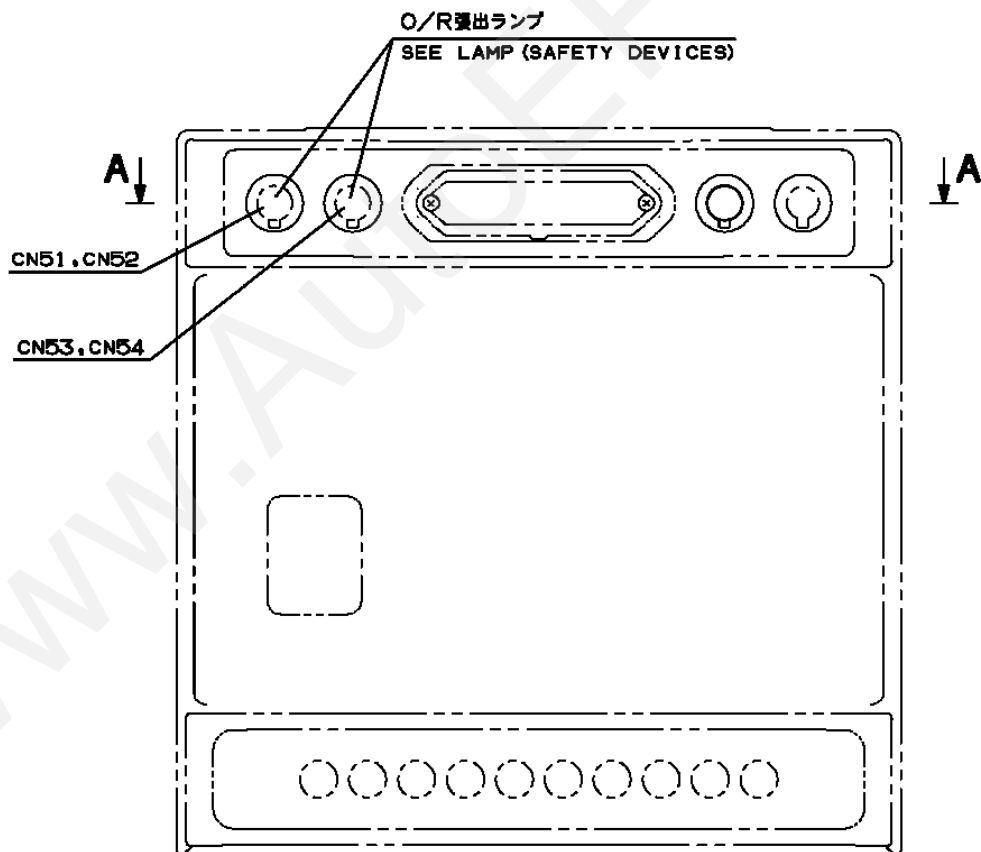
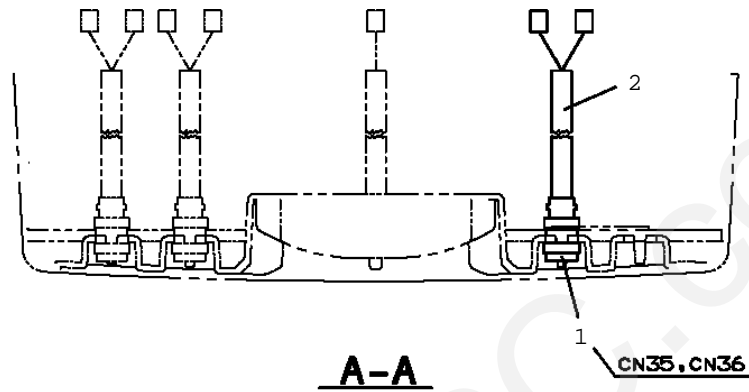


TM-ZE300 41044507044A FRAME/HOOK-IN(AWL)

Pos No.	Parts No	Parts Name	Qty	Unit	Technical Data	Serial No (Start)
1	31361942101	LAMP (ASSY ONLY)	1			
2	80172804014	SCREW,MACHINE	2		M4X14	
3	90303070401	WASHER,PLAIN	2		4	
4	90201200400	NUT	2		M4	
5	31361942200	LAMP ASSY (LED:RED)	1			
6	31361942300	LAMP ASSY (LED:GREEN)	1			
7	31361942400	COVER	3		L=180	

www.AutoEPC.com

TM-ZE300 41044507044A FRAME/HOOK-IN(AWL)
PN1080428-01 LAMP (TWIN PUMP INDICATOR)



TM-ZE300 41044507044A FRAME/HOOK-IN(AWL)

Pos No.	Parts No	Parts Name	Qty	Unit	Technical Data	Serial No (Start)
1	31361942300	LAMP ASSY (LED:GREEN)	1			
2	31361942400	COVER	1		L=180	

www.AutoEPC.com

TM-ZE300 41044507044A FRAME/HOOK-IN(AWL)
PN1080429-01 LAMP (45W BOOM WORKING:NAVI & SAFETY DEVICES)

指示番号 KEY NO.	ランプ (45Wブームワーキング :ナビ & アンセ ンソウチツキ) LAMP (45W BOOM WORKING:NAVI & SAFETY DEVICES)
1	ハイセンASSY (フレーム) ELEC.ASSY (FRAME)
2	ハイセンASSY (ポスト) ELEC.ASSY (POST)
3	ハイセンASSY (シヨウフ) ELEC.ASSY (UPPER)

TM-ZE300 41044507044A FRAME/HOOK-IN(AWL)

Pos No.	Parts No	Parts Name	Qty	Unit	Technical Data	Serial
1	(*****)	ELEC.ASSY (FRAME)	1			
2	(*****)	ELEC.ASSY (POST/RELAY BOX)	1			
3	(*****)	ELEC.ASSY (UPPER/WORKING LAMP)	1			

www.AutoEPC.com

TM-ZE300 41044507044A FRAME/HOOK-IN(AWL)
PN1080445-00 LAMP (60W POST WORKING)

指示番号 KEY NO.	ランプ (60Wポストワーキング) LAMP (60W POST WORKING)
1	ハイセンASSY (ロー) ELEC.ASSY (LOWER)
2	ハイセンASSY (アツパー) ELEC.ASSY (UPPER)

TM-ZE300 41044507044A FRAME/HOOK-IN(AWL)

Pos No.	Parts No	Parts Name	Qty	Unit	Technical Data	Serial No (Start)
1	(*****)	ELEC.ASSY (LOWER)	1			
2	(*****)	ELEC.ASSY (UPPER)	1			

www.AutoEPC.com

TM-ZE300 41044507044A FRAME/HOOK-IN(AWL)
PN1080446-00 LAMP (60W POST WORKING:NAVI & SAFETY DEVICES)

指示番号 KEY NO.	ランプ (60Wホク ストワーキング :ナビ & アンゼン ソウチツキ) LAMP (60W POST WORKING:NAVI & SAFETY DEVICES)
1	ハイセンASSY (フレーム) ELEC.ASSY (FRAME)
2	ハイセンASSY (ホク ストフ /リレーホク ツクス) ELEC.ASSY (POST/RELAY BOX)
3	ハイセンASSY (ジ ヨウフ) ELEC.ASSY (UPPER)

TM-ZE300 41044507044A FRAME/HOOK-IN(AWL)

Pos No.	Parts No	Parts Name	Qty	Unit	Technical Data	Serial No
1	(*****)	ELEC.ASSY (FRAME)	1			
2	(*****)	ELEC.ASSY (POST/RELAY BOX)	1			
3	(*****)	ELEC.ASSY (UPPER)	1			

www.AutoEPC.com

TM-ZE300 41044507044A FRAME/HOOK-IN(AWL)

PN1080447-00 LAMP (HEIGHT LIMIT/ OVERLOADING WARNING)

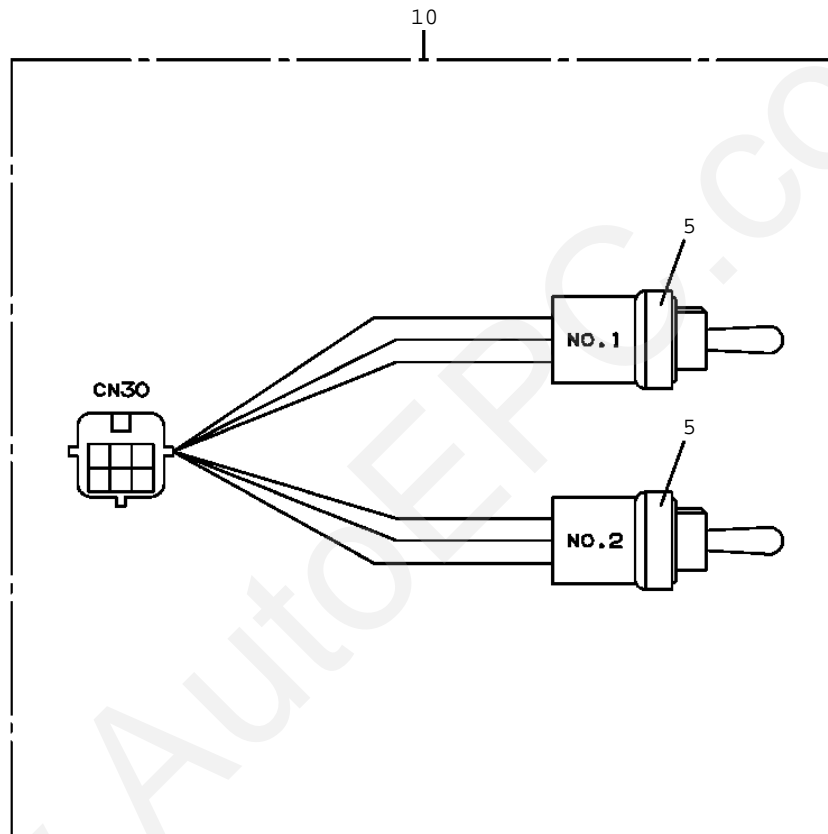
指示番号 KEY NO.	ランプ (タカサセイゲン/カフカケイコク) LAMP (HEIGHT LIMIT/OVERLOADING WARNING)
1	ハイセンASSY (ホストフ/リレーボックス) ELEC.ASSY (POST/RELAY BOX)
2	ハイセンASSY (ランプフ) ELEC.ASSY (LAMP)

TM-ZE300 41044507044A FRAME/HOOK-IN(AWL)

Pos No.	Parts No	Parts Name	Qty	Unit	Technical Data	Serial No
1	(*****)	ELEC.ASSY (POST/RELAY BOX)	1			
2	(*****)	ELEC.ASSY (LAMP)	1			

www.AutoEPC.com

TM-ZE300 41044507044A FRAME/HOOK-IN(AWL)
PN1140160-00 SWITCH ASSY (PLATING:NACC)

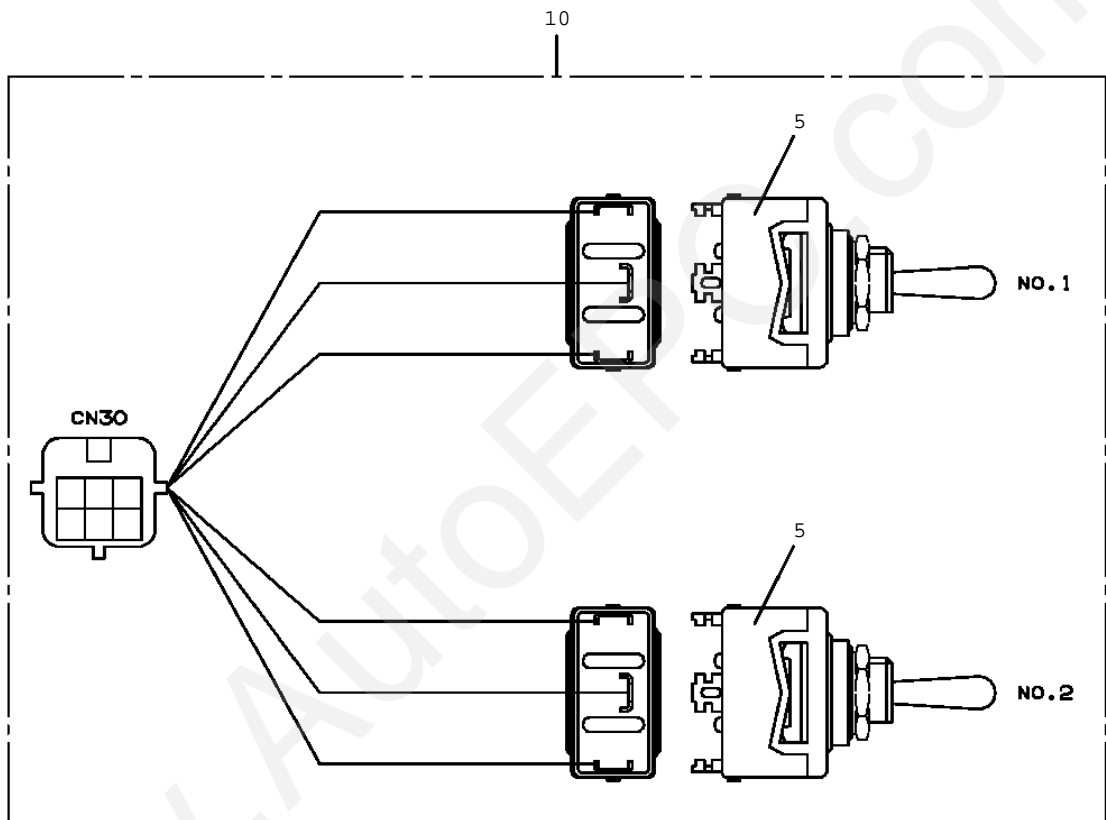


TM-ZE300 41044507044A FRAME/HOOK-IN(AWL)

Pos No.	Parts No	Parts Name	Qty	Unit	Technical Data	Serial No (S
5	82105501002	SWITCH,TOGGLE (PLATING)	2		NACC 3TJW106G	
10	31656141310	SWITCH ASSY (PLATING:NACC)	1			

www.AutoEPC.com

TM-ZE300 41044507044A FRAME/HOOK-IN(AWL)
PN1140198-00 SWITCH ASSY (PANASONIC)

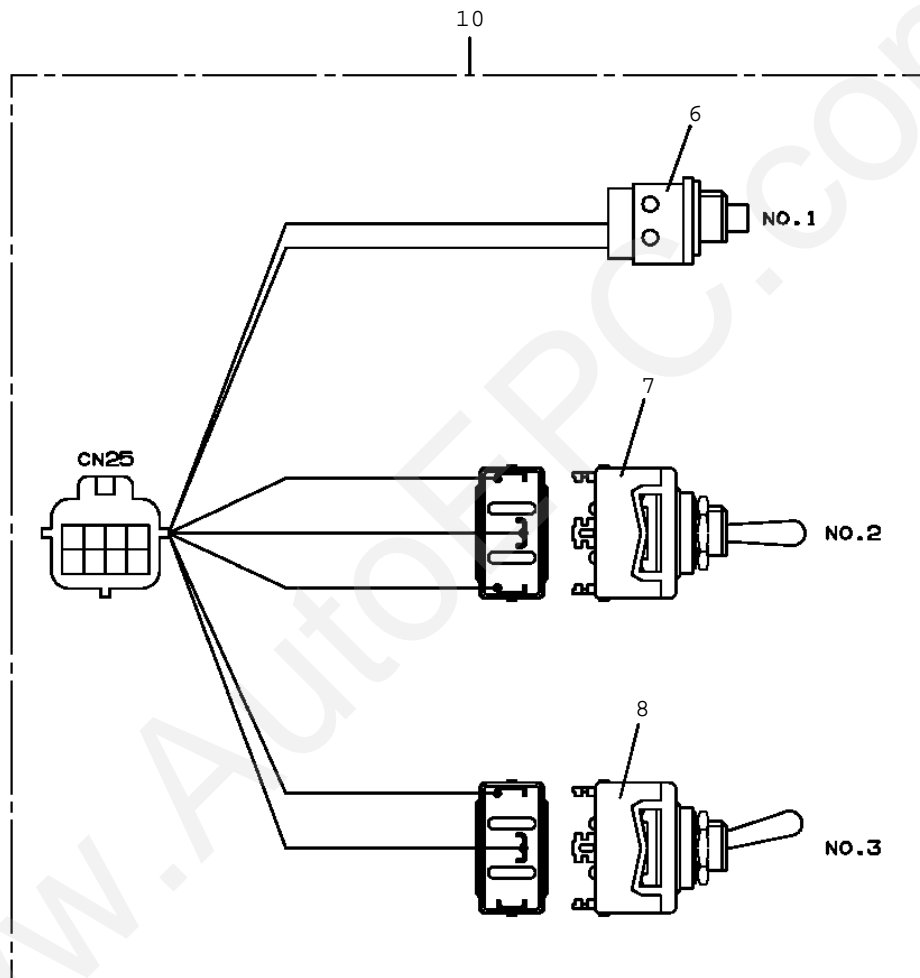


TM-ZE300 41044507044A FRAME/HOOK-IN(AWL)

Pos No.	Parts No	Parts Name	Qty	Unit	Technical Data	Serial No (Star
5	82105411140	SWITCH, TOGGLE	2			
10	31656141320	SWITCH ASSY (PANASONIC)	1			

www.AutoEPC.com

TM-ZE300 41044507044A FRAME/HOOK-IN(AWL)
PN1140200-00 SWITCH ASSY (GREEN: PANASONIC)

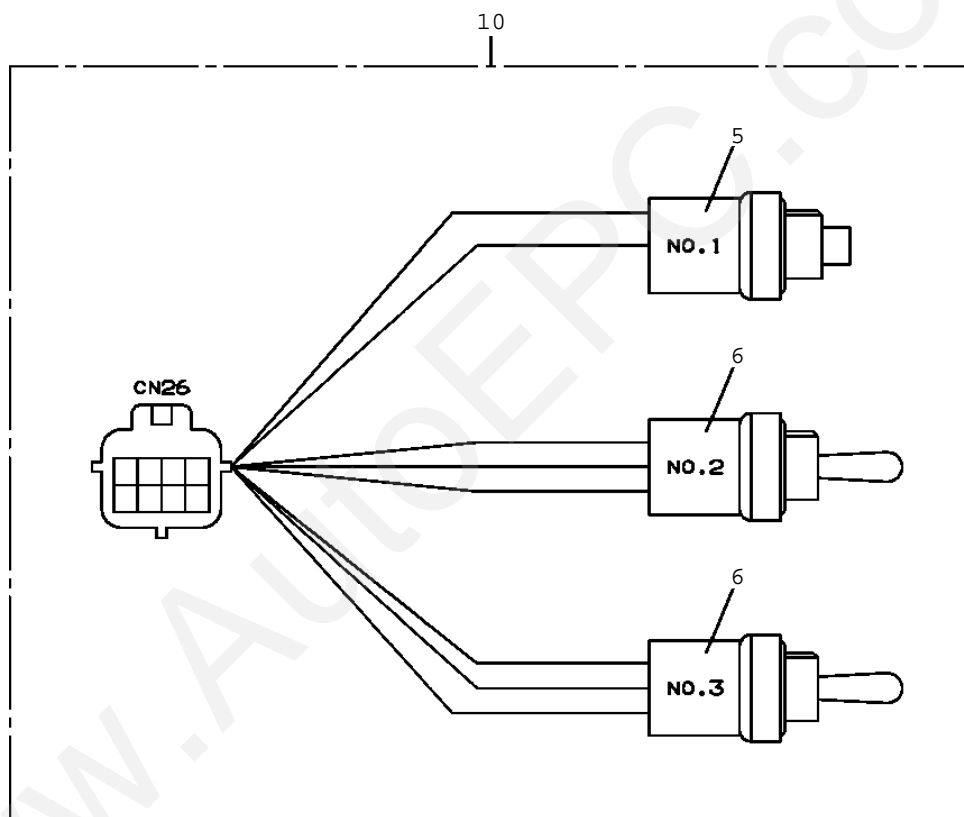


TM-ZE300 41044507044A FRAME/HOOK-IN(AWL)

Pos No.	Parts No	Parts Name	Qty	Unit	Technical Data	Serial No
6	82101429241	SWITCH,PUSH (GREEN)	1			
7	82105411140	SWITCH,TOGGLE	1			
8	82105411110	SWITCH,TOGGLE	1			
10	31656012120	SWITCH ASSY (GREEN: PANASONIC)	1			

www.AutoEPC.com

TM-ZE300 41044507044A FRAME/HOOK-IN(AWL)
PN1140201-00 SWITCH ASSY (WITH HARNESS:PLATING/NACC)

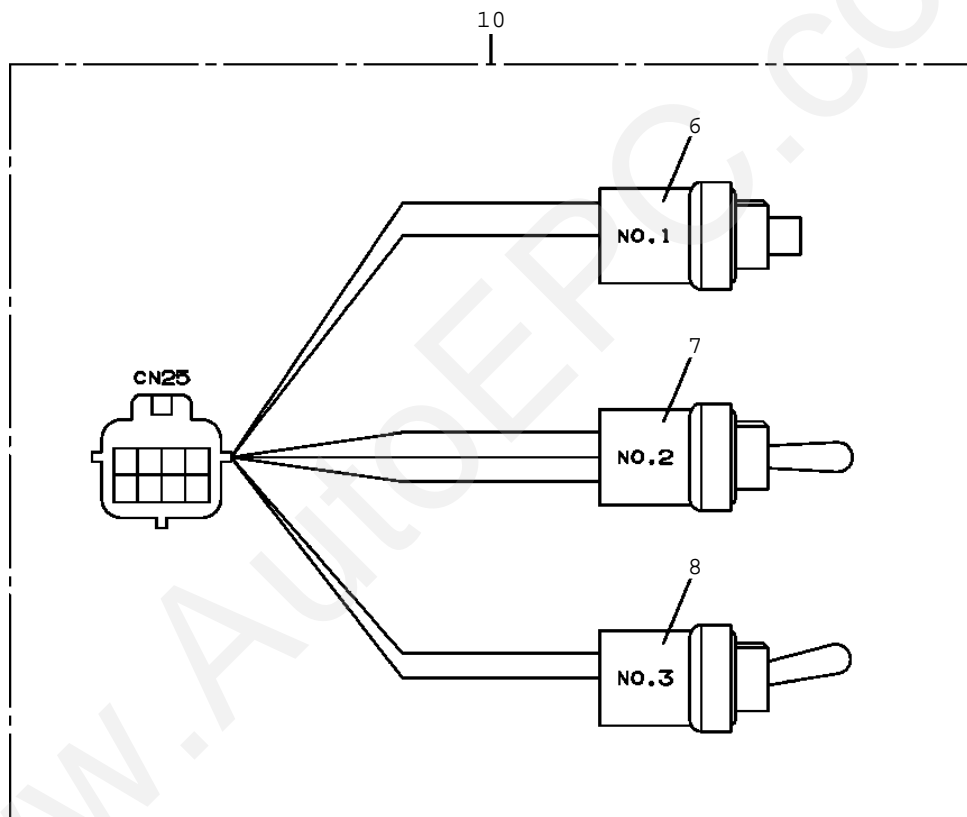


TM-ZE300 41044507044A FRAME/HOOK-IN(AWL)

Pos No.	Parts No	Parts Name	Qty	Unit	Technical Data
5	82101940130	SWITCH,PUSH (3PJW106F-021-CC)	1		
6	82105501002	SWITCH,TOGGLE (PLATING)	2		NACC 3TJW106G
10	31656013111	SWITCH ASSY (WITH HARNESS:PLATING/NACC)	1		

www.AutoEPC.com

TM-ZE300 41044507044A FRAME/HOOK-IN(AWL)
PN1140202-00 SWITCH ASSY (PLATING:NACC)

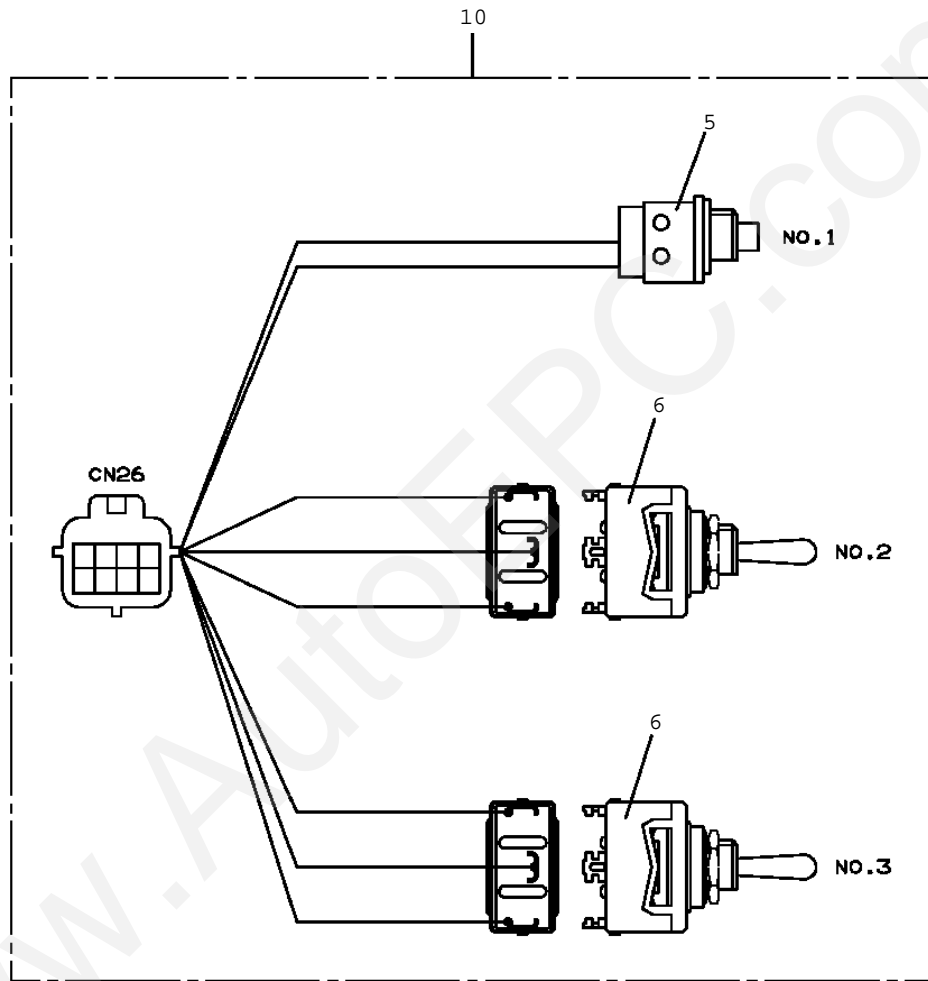


TM-ZE300 41044507044A FRAME/HOOK-IN(AWL)

Pos No.	Parts No	Parts Name	Qty	Unit	Technical Data	Serial No
6	82101940130	SWITCH,PUSH (3PJW106F-021-CC)	1			
7	82105501002	SWITCH,TOGGLE (PLATING)	1		NACC 3TJW106G	
8	82105501007	SWITCH,TOGGLE	1		NACC 3TJW106D	
10	31656012111	SWITCH ASSY (PLATING:NACC)	1			

www.AutoEPC.com

TM-ZE300 41044507044A FRAME/HOOK-IN(AWL)
PN1140208-01 SWITCH ASSY (WITH HARNESS/PANASONIC)

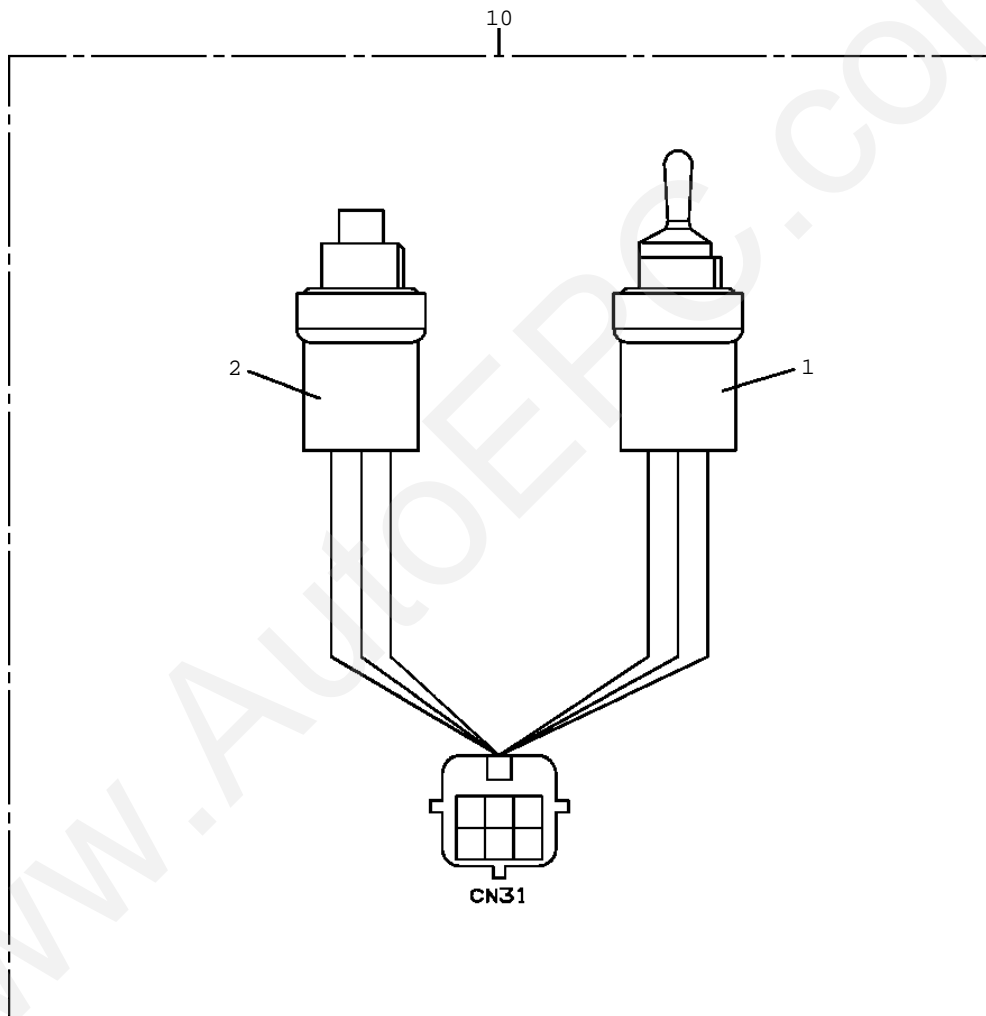


TM-ZE300 41044507044A FRAME/HOOK-IN(AWL)

Pos No.	Parts No	Parts Name	Qty	Unit	Technical Data	Se
5	82101429241	SWITCH,PUSH (GREEN)	1			
6	82105411140	SWITCH,TOGGLE	2			
10	31656013120	SWITCH ASSY (WITH HARNESS/PANASONIC)	1			

www.AutoEPC.com

TM-ZE300 41044507044A FRAME/HOOK-IN(AWL)
PN1140234-00 SWITCH ASSY (PLATING:NACC)

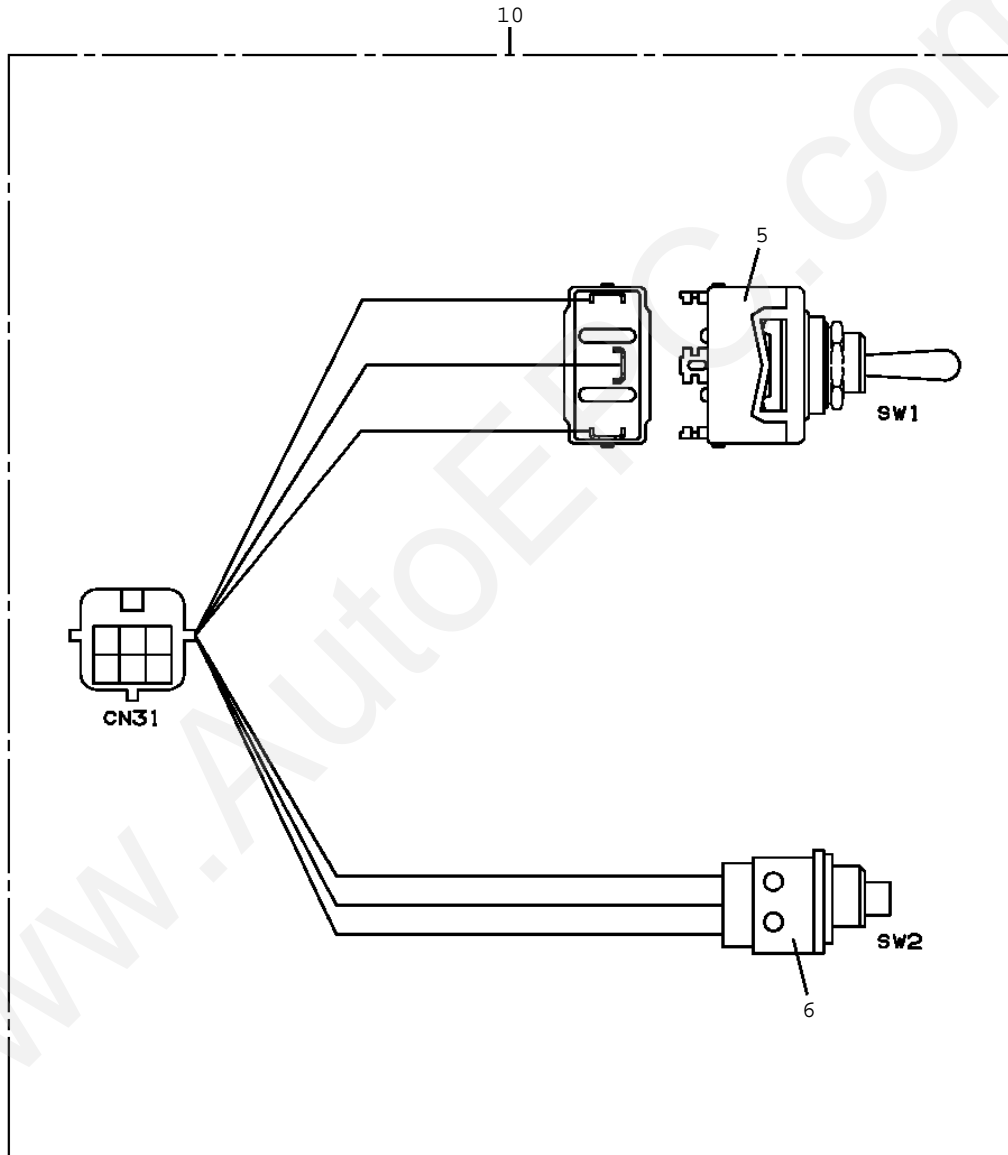


TM-ZE300 41044507044A FRAME/HOOK-IN(AWL)

Pos No.	Parts No	Parts Name	Qty	Unit	Technical Data	Serial No (
1	82105501002	SWITCH,TOGGLE (PLATING)	1		NACC 3TJW106G	
2	82101940120	SWITCH,PUSH (PLATING)	1		3PJW106F-021-AB	
10	31653741200	SWITCH ASSY (PLATING:NACC)	1			

www.AutoEPC.com

TM-ZE300 41044507044A FRAME/HOOK-IN(AWL)
PN1140235-00 SWITCH ASSY (GREEN: PANASONIC)

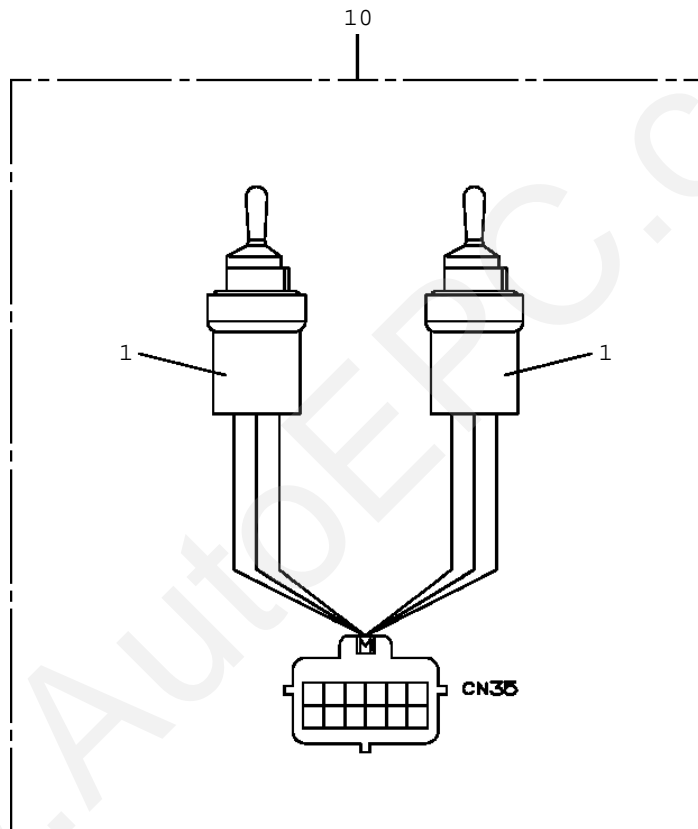


TM-ZE300 41044507044A FRAME/HOOK-IN(AWL)

Pos No.	Parts No	Parts Name	Qty	Unit	Technical Data	Serial No
5	82105411140	SWITCH, TOGGLE	1			
6	82101429239	SWITCH, PUSH (GREEN)	1			
10	31653741600	SWITCH ASSY (GREEN: PANASONIC)	1			

www.AutoEPC.com

TM-ZE300 41044507044A FRAME/HOOK-IN(AWL)
PN1140239-00 SWITCH ASSY (WITH HARNESS,2-SW)



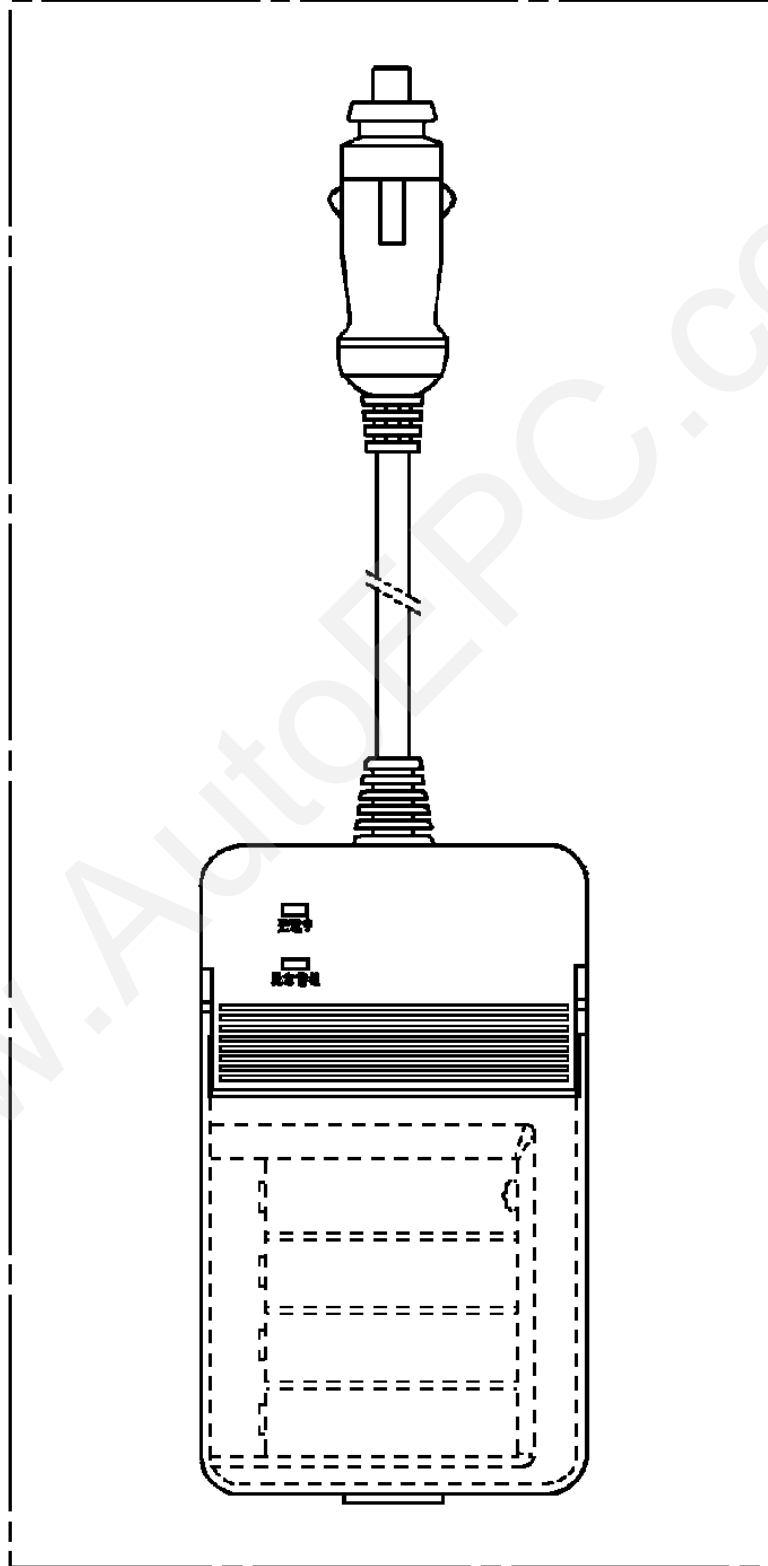
TM-ZE300 41044507044A FRAME/HOOK-IN(AWL)

Pos No.	Parts No	Parts Name	Qty	Unit	Technical Data	Serial
1	82105501003	SWITCH	2			
10	31653322200	SWITCH ASSY (WITH HARNESS,2-SW)	1			

www.AutoEPC.com

TM-ZE300 41044507044A FRAME/HOOK-IN(AWL)
PN1420020-00 CHARGER, BATTERY

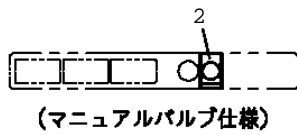
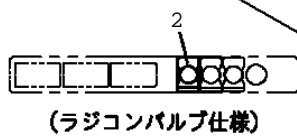
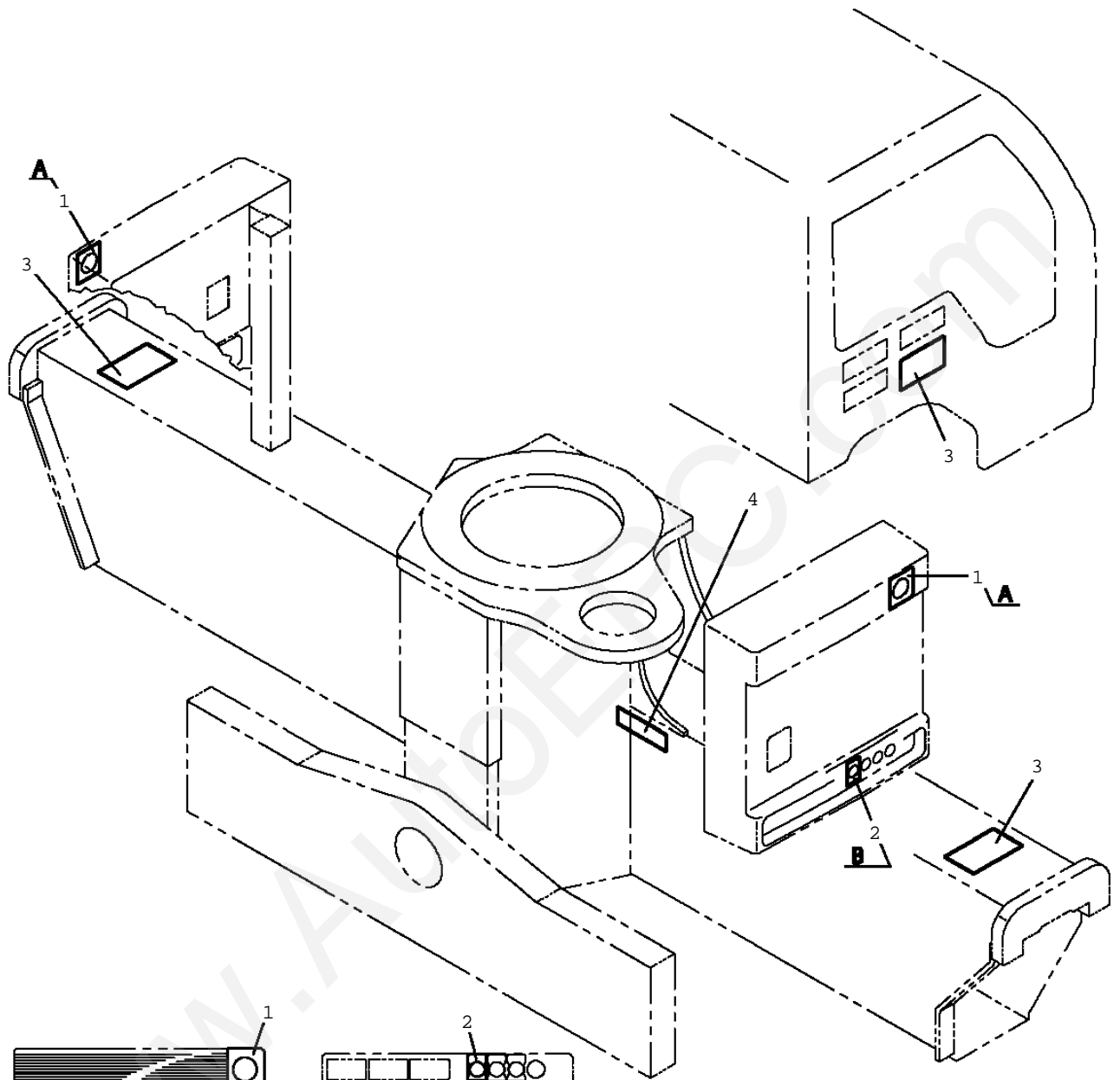
10



TM-ZE300 41044507044A FRAME/HOOK-IN(AWL)

Pos No.	Parts No	Parts Name	Qty	Unit	Technical Data	Serial No (Start)	Seri
10	31501220100	CHARGER, BATTERY	1				

www.AutoEPC.com

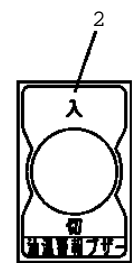
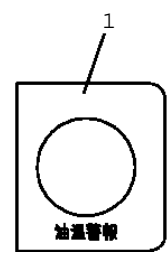


A

B

注意/作動油高温注意

●クレーン作動油の温度が60℃以上上昇した場合に
 油温警告ブザーが鳴り、油温警告ランプが点灯します。
 油温警告ランプが点灯、ブザーが鳴る場合は、作業を中止してください。
 油温警告ブザー・スイッチが「ON」の状態では油温警告ランプ
 は点灯しますが、油温警告ブザーは鳴りません。
 ●作動油が高温になると、油温ホースやケーブルが熱で
 変形し、破断した状態で作業をする恐れがあります。
 油温が下がらないうちに作業を再開してください。



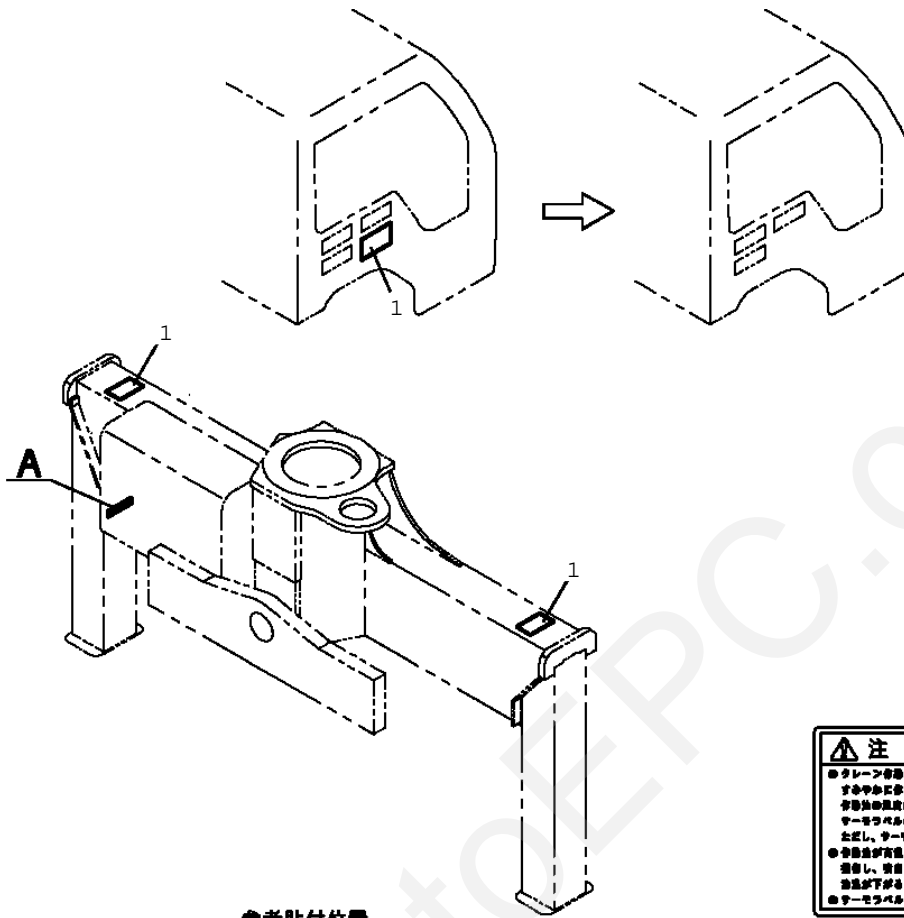
注意/ブザー取扱

ブザー・スイッチの状態が「ON」の状態ではブザーが鳴り、
 「ON」の状態では油温警告ブザーは鳴りません。

TM-ZE300 41044507044A FRAME/HOOK-IN(AWL)

Pos No.	Parts No	Parts Name	Qty	Unit	Technical Data	Serial No (Start)	Serial
1	31501915100	PLATE,NAME	2				
2	31501915200	PLATE,NAME	1				
3	31501915300	PLATE,CAUTION	3				
4	31501915400	PLATE,CAUTION	1				

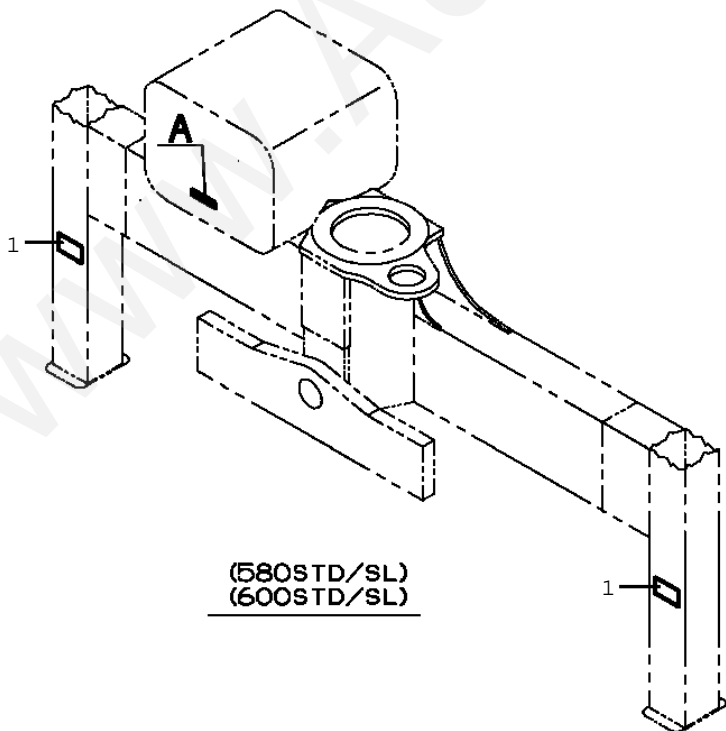
www.AutoEPC.com



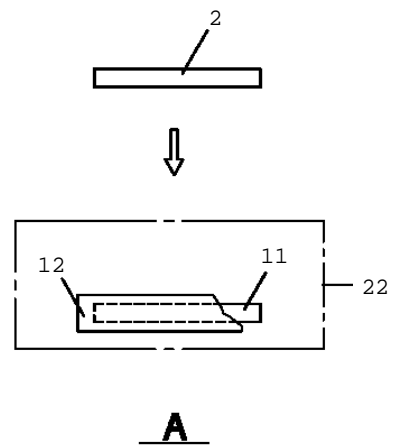
参考貼付位置
 REFERENCE OF PLATE LOCATION

注意/作動油高温注意

- オレイン油の温度が80℃以上上昇した場合は、すみやかに作動油を交換してください。
- 作動油の温度が90℃以上上昇した場合は、すみやかに作動油を交換してください。
- ただし、サーモバルブの動作温度は50℃~100℃です。
- 作動油が高温になると、高圧ホースやシールが破損し、油漏れの原因となります。
- 油漏れがひどい場合は、作動油を交換してください。
- サーモバルブは2年ごとに変換してください。



(580STD/SL)
 (600STD/SL)



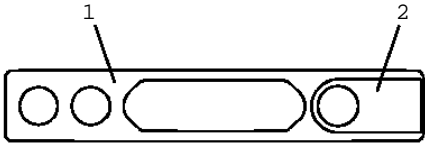
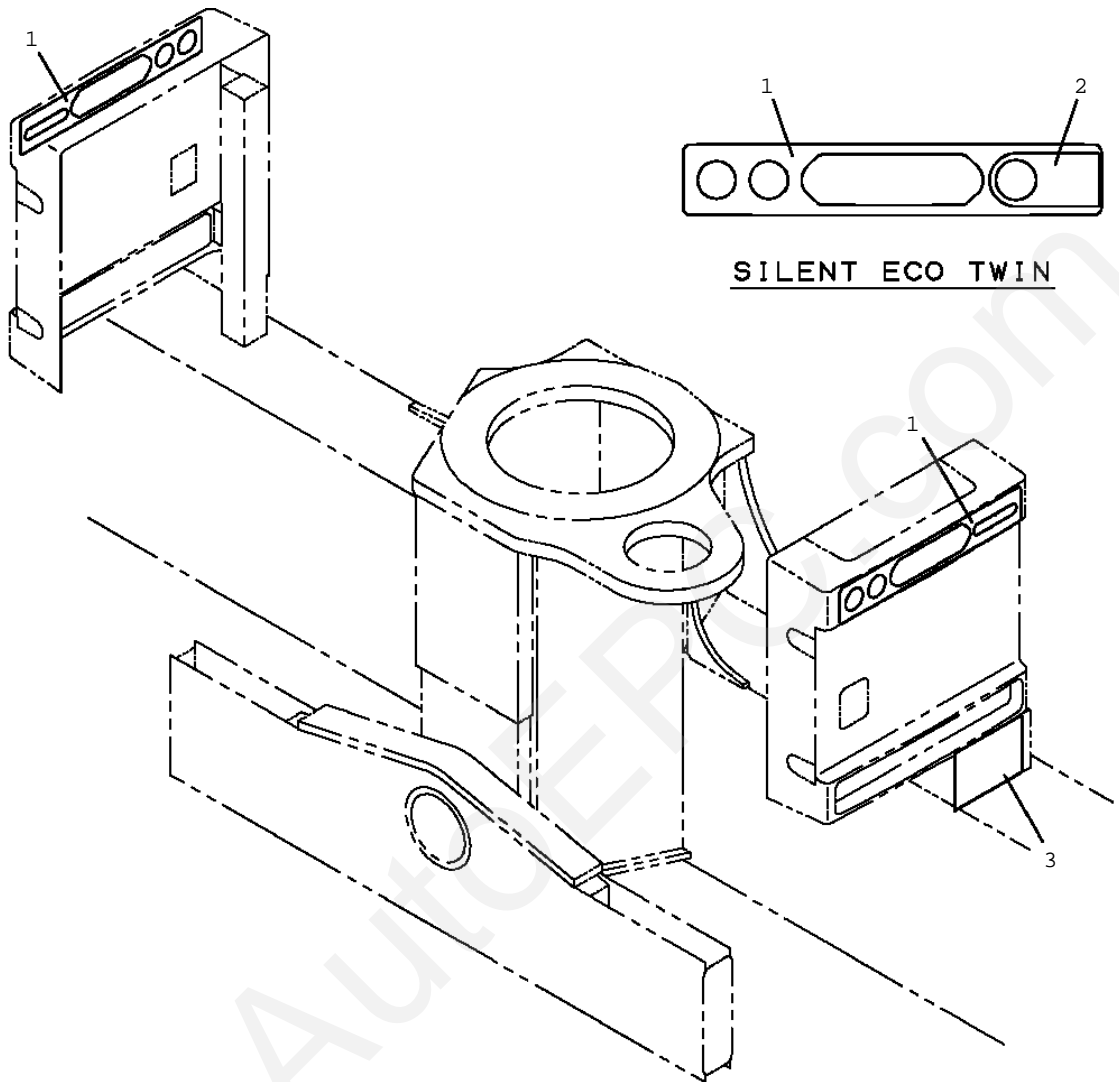
A

TM-ZE300 41044507044A FRAME/HOOK-IN(AWL)

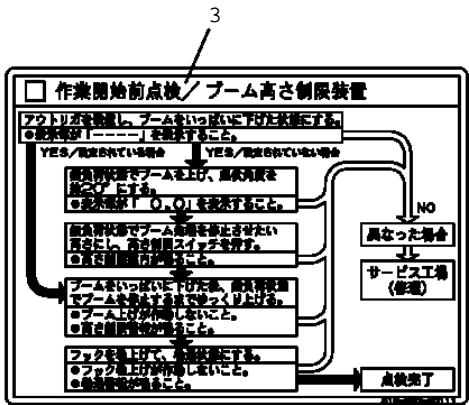
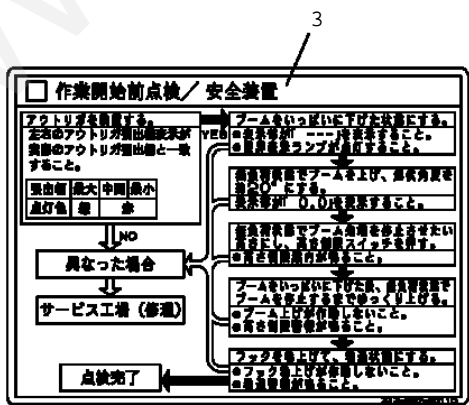
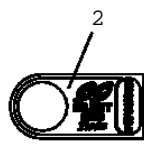
Pos No.	Parts No	Parts Name	Qty	Unit	Technical Data	Serial No (Start)	S
1	31501921000	PLATE, CAUTION	2				
11	82400000531	INDICATOR (THERMO)	1				
12	37010500860	PLATE	1				
22	31501922000	NAME PLATE ASSY	1				

www.AutoEPC.com

TM-ZE300 41044507044A FRAME/HOOK-IN(AWL)
 PN5010192-01 NAME PLATE ASSY



SILENT ECO TWIN

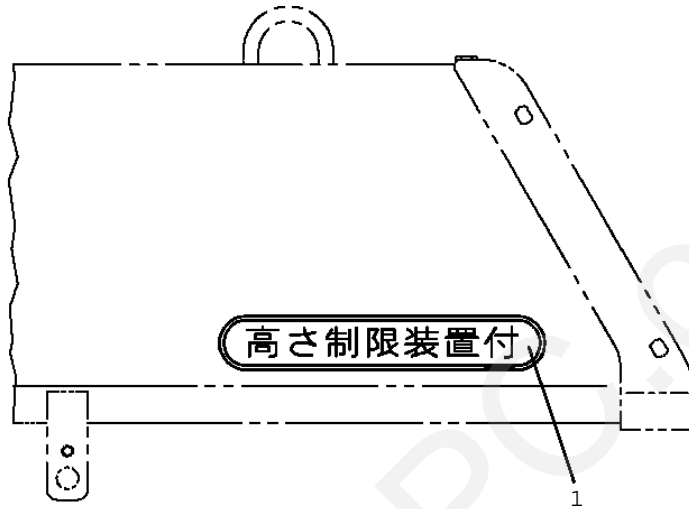


TM-ZE300 41044507044A FRAME/HOOK-IN(AWL)

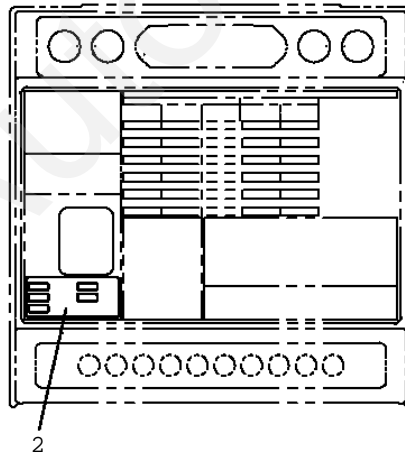
Pos No.	Parts No	Parts Name	Qty	Unit	Technical Data	Serial No (Start)	Serial
1	31496970320	PLATE,CAUTION	2				
2	31730944300	PLATE,CAUTION	2				
3	31398780111	PLATE,NAME	1				

www.AutoEPC.com

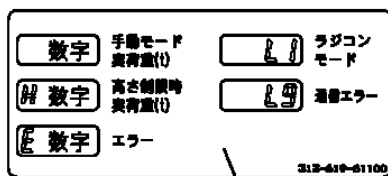
TM-ZE300 41044507044A FRAME/HOOK-IN(AWL)
 PN5010193-00 NAME PLATE ASSY (BOOM & CONTROL UNIT PANEL)



ブーム部



コントロールユニット側パネル部



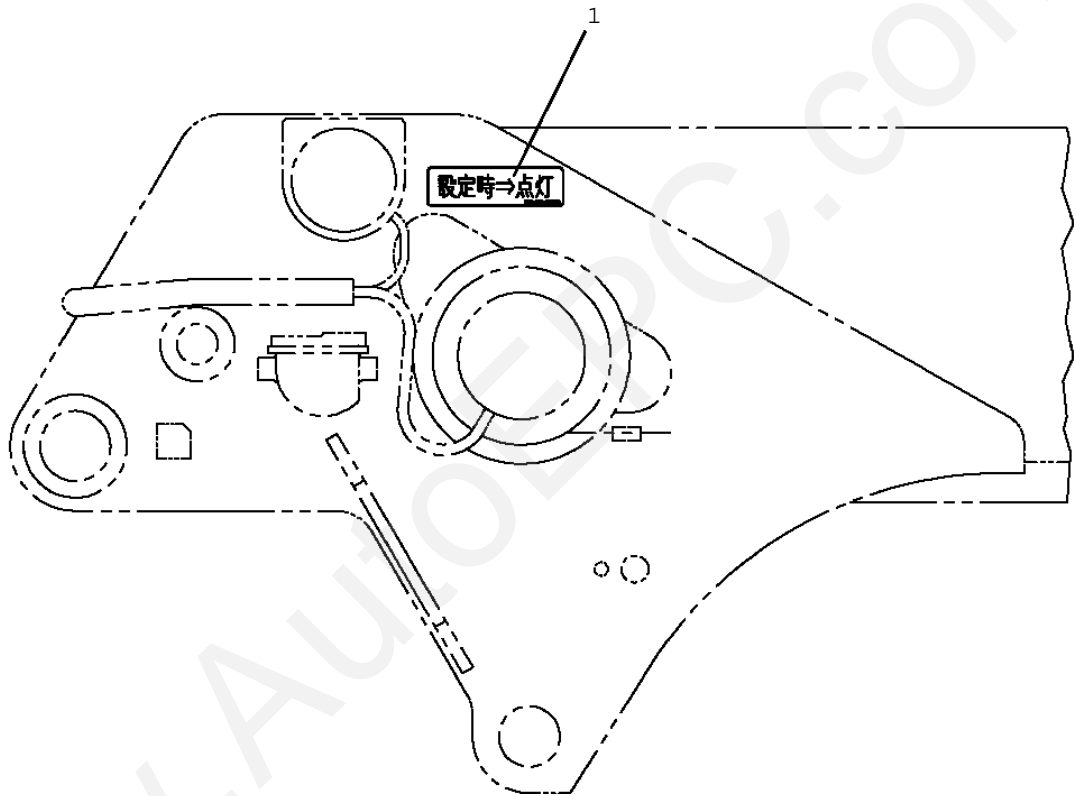
2

TM-ZE300 41044507044A FRAME/HOOK-IN(AWL)

Pos No.	Parts No	Parts Name	Qty	Unit	Technical Data	Serial No (Start)	Serial No
1	31361473100	PLATE,NAME	2				
2	31361961100	PLATE,NAME	1				

www.AutoEPC.com

TM-ZE300 41044507044A FRAME/HOOK-IN(AWL)
PN5010239-00 NAME PLATE ASSY



TM-ZE300 41044507044A FRAME/HOOK-IN(AWL)

Pos No.	Parts No	Parts Name	Qty	Unit	Technical Data	Serial No (Start)	Serial No
1	37002230910	PLATE,NAME	2				

www.AutoEPC.com

TM-ZE300 41044507044A FRAME/HOOK-IN(AWL)
PN5010279-00 NAME PLATE ASSY

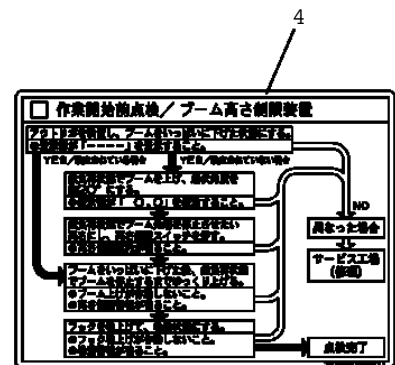
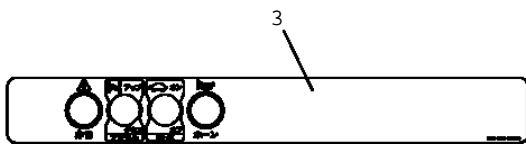
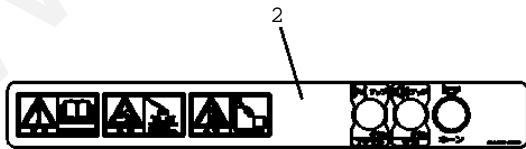
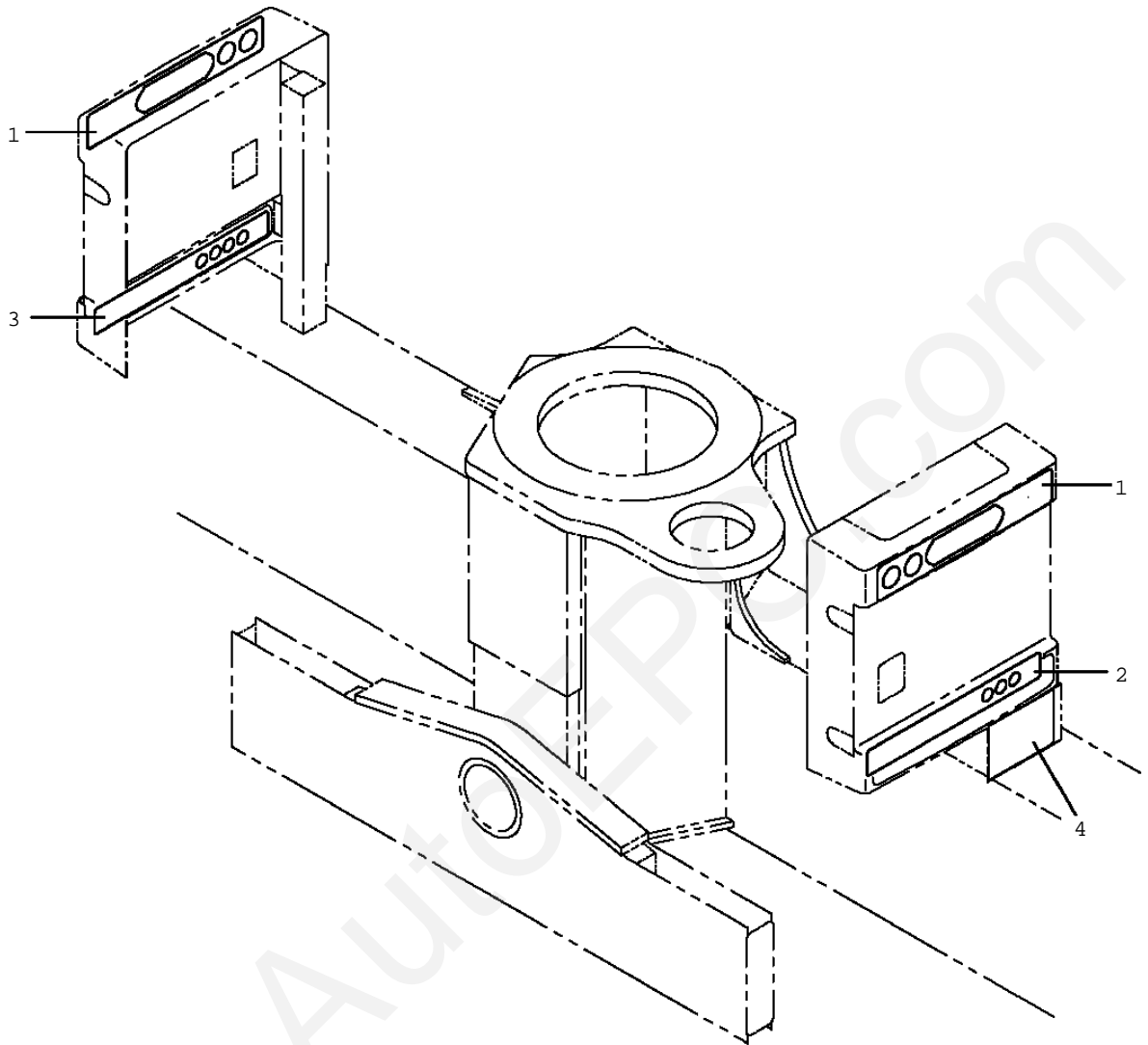
指示番号 KEY NO.	ネームプレートASSY NAME PLATE ASSY
1	プレートASSY,ネーム(ソウサ,チュウイ,フック) PLATE ASSY,NAME (CONT.,CAUTION,HOOK)
2	プレートASSY,ネーム(ポストタコク) PLATE ASSY,NAME (POST)
3	ネームプレートASSY(パネル) NAME PLATE ASSY (PANEL)
4	プレートASSY,ネーム(オイル) PLATE ASSY,NAME (OIL)

TM-ZE300 41044507044A FRAME/HOOK-IN(AWL)

Pos No.	Parts No	Parts Name	Qty	Unit	Technical Data
1	(*****)	PLATE ASSY,NAME (CAUTION,CONT.,HOOK)	1		
2	(*****)	PLATE ASSY,NAME (POST)	1		
3	(*****)	NAME PLATE ASSY (PANEL)	1		
4	(*****)	PLATE ASSY,NAME (OIL)	1		

www.AutoEPC.com

TM-ZE300 41044507044A FRAME/HOOK-IN(AWL)
 PN5010280-01 NAME PLATE ASSY (PANEL)



TM-ZE300 41044507044A FRAME/HOOK-IN(AWL)

Pos No.	Parts No	Parts Name	Qty	Unit	Technical Data	Serial No (Start)	Serial
1	31496970320	PLATE, CAUTION	2				
2	31496741320	PLATE, CAUTION	1				
3	31496741330	PLATE, NAME	1				
4	31398780111	PLATE, NAME	1				

www.AutoEPC.com

TM-ZE300 41044507044A FRAME/HOOK-IN(AWL)
PO1000151-00 INDICATION PLATES

メイバン
INDICATION PLATES

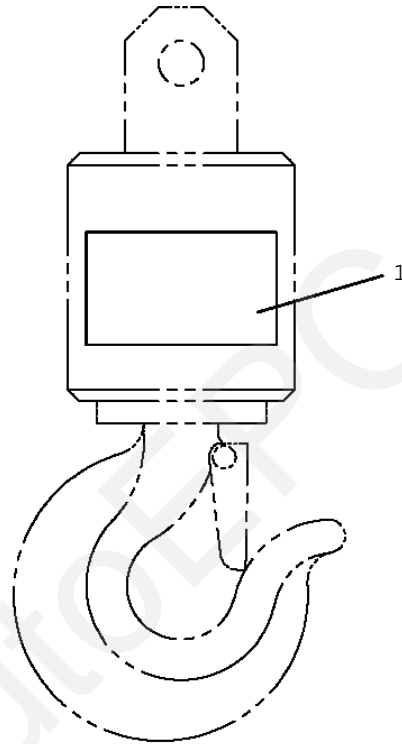
【組立名称一覧】より選択してください。
SEE THE CORRESPONDING "ASSEMBLY NAME" LIST.

TM-ZE300 41044507044A FRAME/HOOK-IN(AWL)

Pos No.	Parts No	Parts Name	Qty	Unit	Technical
1	(*****)	NAME PLATE ASSY	1		
2	(*****)	NAME PLATE ASSY (BOOM & CONTROL UNIT PANEL)	1		
4	(*****)	PERFORMANCE DATA (304SL/A)	1		
5	(*****)	PERFORMANCE DATA (304SL/B)	1		
6	(*****)	PERFORMANCE DATA (304SL/C)	1		

www.AutoEPC.com

TM-ZE300 41044507044A FRAME/HOOK-IN(AWL)
PO1012473-02 PLATE ASSY,NAME (HOOK)



1

つり上げ荷重 〇.49 t

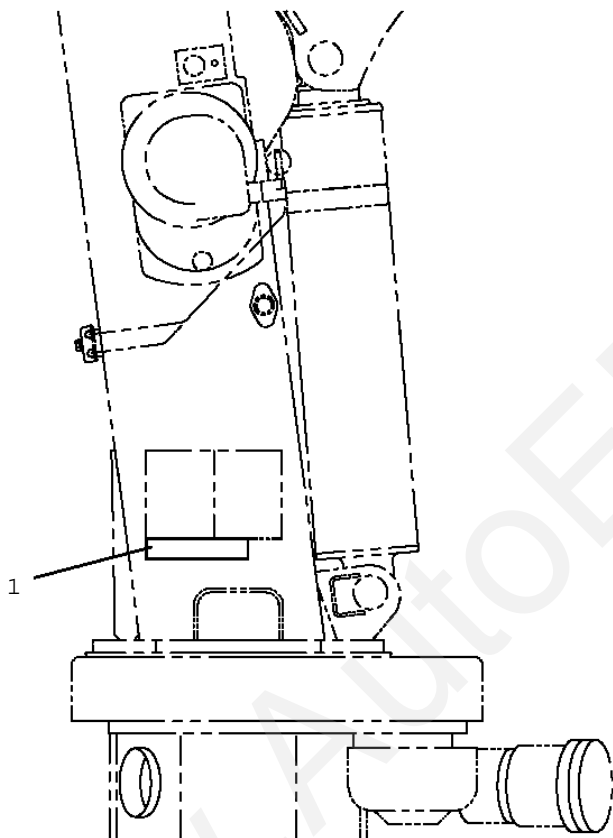
	<p>● 1本吊り時の定額吊重は、空車時定額吊重に劣ります。 ただし〇.49tを超える場合は、〇.49tとします。空車時定額吊重の値は、つり具設置（フック等）を含んでいます。</p>
警告	314-734-01100

TM-ZE300 41044507044A FRAME/HOOK-IN(AWL)

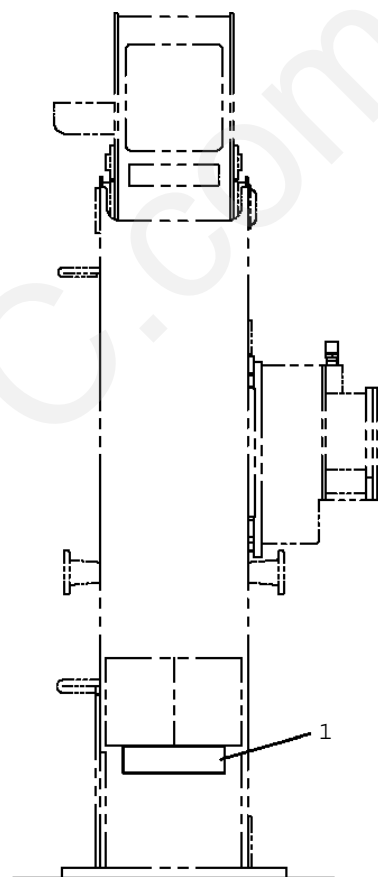
Pos No.	Parts No	Parts Name	Qty	Unit	Technical Data	Serial No (Start)	Serial
1	31473481100	PLATE,CAUTION	1				

www.AutoEPC.com

TM-ZE300 41044507044A FRAME/HOOK-IN(AWL)
PO1013040-03 PLATE ASSY,NAME (1-PART LINE OPE.)




ZR300,360,500
ZE300,360,500



ZR230,260,290
ZE230,260,290

1

	注意 / ウィンチ操作について
● 専横フック使用時のウィンチ操作は、安全のため 中速以下で行って下さい。	
314-771-05100	

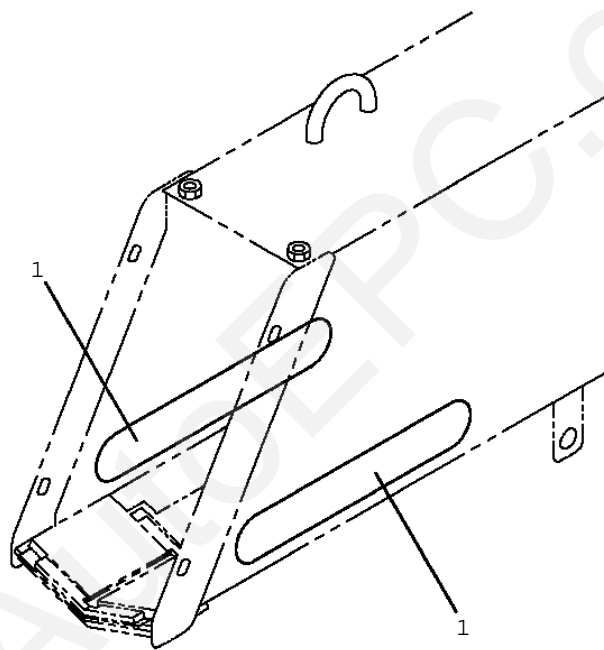
TM-ZE300 41044507044A FRAME/HOOK-IN(AWL)

Pos No.	Parts No	Parts Name	Qty	Unit	Technical Data	Serial No (Start)	Serial
1	31477165100	PLATE,CAUTION	1				

www.AutoEPC.com

TM-ZE300 41044507044A FRAME/HOOK-IN(AWL)

PO1014584-01 PLATE ASSY,NAME (BOOM,ELEV. STOWING FAILURE)



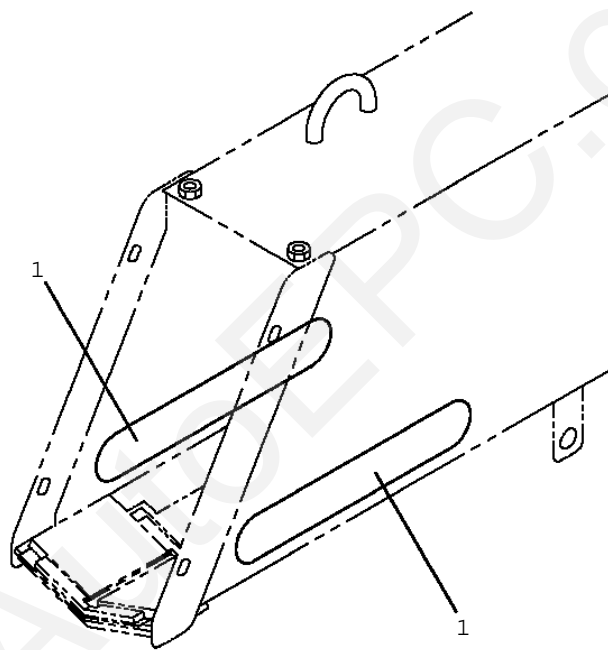
1
ブーム格納忘れ警報装置付

TM-ZE300 41044507044A FRAME/HOOK-IN(AWL)

Pos No.	Parts No	Parts Name	Qty	Unit	Technical Data	Serial No (Start)	Serial No
1	31477441100	PLATE,NAME	2				

www.AutoEPC.com

TM-ZE300 41044507044A FRAME/HOOK-IN(AWL)
PO1014592-01 PLATE ASSY,NAME



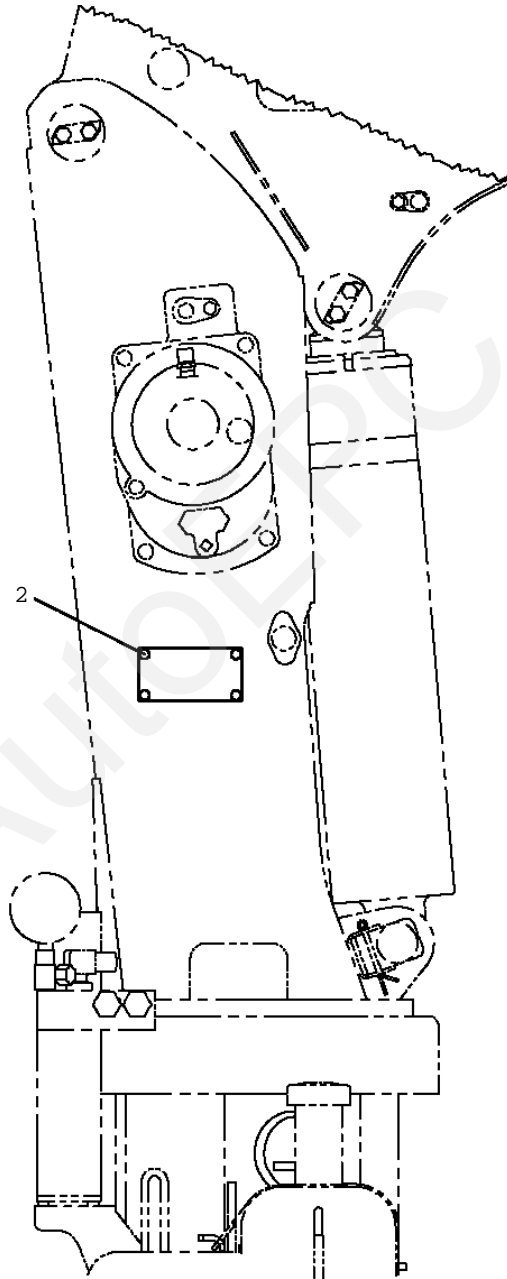
1
アーム・アウトリガ格納忘れ警報装置付

TM-ZE300 41044507044A FRAME/HOOK-IN(AWL)

Pos No.	Parts No	Parts Name	Qty	Unit	Technical Data	Serial No (Start)	Serial No
1	31477333100	PLATE,NAME	2				

www.AutoEPC.com

TM-ZE300 41044507044A FRAME/HOOK-IN(AWL)
PO1014946-00 PLATE ASSY,NAME (POST)

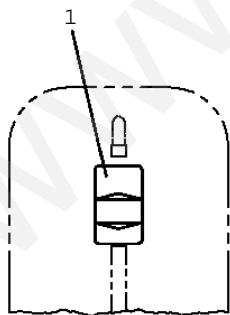
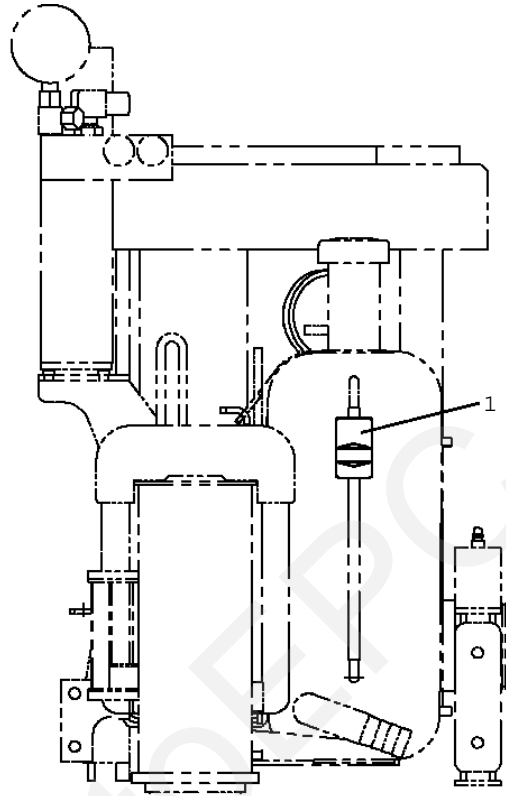


TM-ZE300 41044507044A FRAME/HOOK-IN(AWL)

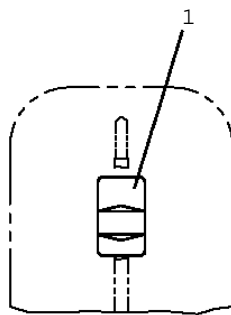
Pos No.	Parts No	Parts Name	Qty	Unit	Technical Data	Serial No (Start)	Serial
2	90451700100	SCREW,TAPPING	4		M4X6.4		

www.AutoEPC.com

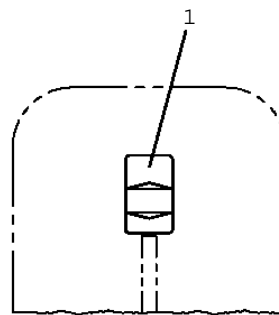
TM-ZE300 41044507044A FRAME/HOOK-IN(AWL)
PO1014948-02 PLATE ASSY,NAME (OIL)



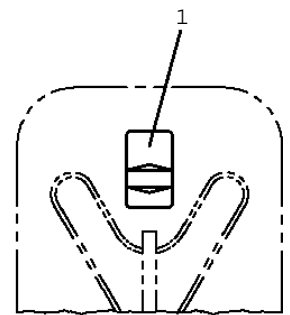
(250STD)
(260STD/SL)
(290STD/SL)



(360SL)
(300STD/SL)



(360STD)



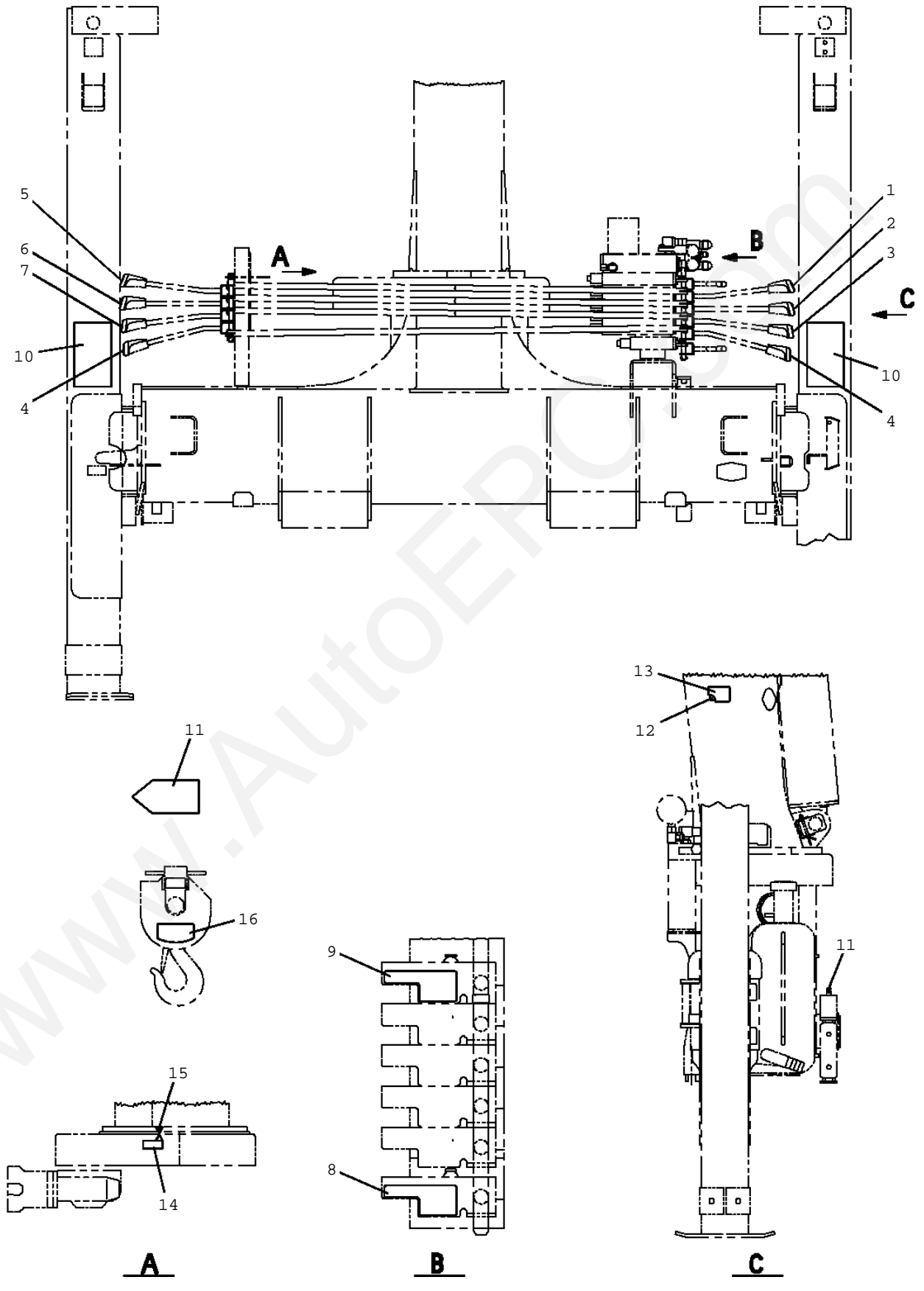
(500STD/SL)

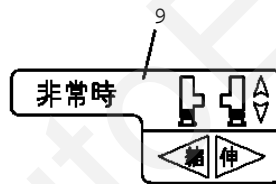
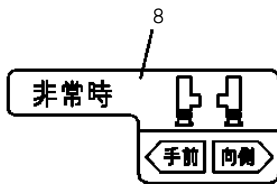
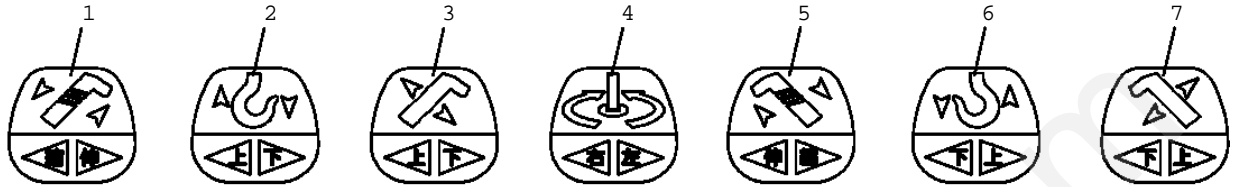
TM-ZE300 41044507044A FRAME/HOOK-IN(AWL)

Pos No.	Parts No	Parts Name	Qty	Unit	Technical Data	Serial No (
1	37002213190	PLATE,NAME (LEVEL, ISO VG46)	1			

www.AutoEPC.com

TM-ZE300 41044507044A FRAME/HOOK-IN(AWL)
PO1015072-01 PLATE ASSY,NAME (CAUTION,CONT.,HOOK)





10

警告/アウトリガ取扱い

クレーン作動

- 取組の安全が最優先となるよう、取組を安全に実施してください。
- アウトリガは最大荷重で使用するください。
- 取組した際、アウトリガをロックしてください。
- ジャッキ調整が適切に実施されるよう、取組を安全に実施してください。

非常時作動

- 非常時作動は安全に実施してください。
- 非常時作動はアウトリガを安全に実施してください。
- 非常時作動でクレーン作動は実施しないでください。
- ジャッキ作動は、自然落下の危険があるため、取組を安全に実施してください。このとき、取組が適切に実施されていることを確認してください。

ジャッキ作動

- ジャッキ作動は、ジャッキ停止位置の取組が安全に実施されていることを確認してください。
- 取組する際は、ジャッキを安全にアウトリガをロックしてください。アウトリガロックと取組用ロックを確認してください。

アウトリガロック

取組用ロック

注意

● 取組時、取組位置を安全に実施してください。

12

ウインチ減速機のフェーシングは3年毎に交換してください。

次回の交換は

年 月 日

370-022-20450

14

旋回格納位置

370-022-20450

16

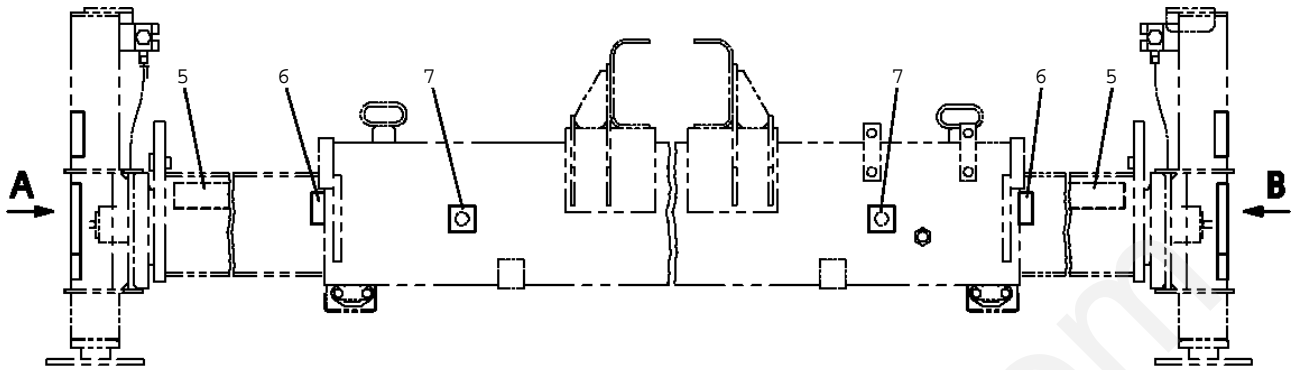
2.93t

TM-ZE300 41044507044A FRAME/HOOK-IN(AWL)

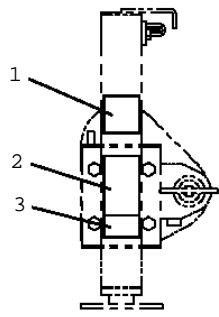
Pos No.	Parts No	Parts Name	Qty	Unit	Technical Data	Serial No (Start)
1	37002227620	PLATE, NAME	1			
2	37002227630	PLATE, NAME	1			
3	37002227640	PLATE, NAME	1			
4	37002227650	PLATE, NAME	2			
5	37002227660	PLATE, NAME	1			
6	37002227670	PLATE, NAME	1			
7	37002227680	PLATE, NAME	1			
8	37002227930	PLATE, NAME	1			
9	37002227940	PLATE, NAME	1			
10	37002227950	PLATE, CAUTION	2			
11	37002206490	PLATE, NAME (GREASE)	5			
12	37002224400	PLATE, NAME	1			
13	37002224440	PLATE, NAME	1			
14	37002220450	PLATE, NAME	1			
15	37002200320	PLATE, NAME	1			
16	37002227810	PLATE, NAME (2.93T)	2			

www.AutoEPC.com

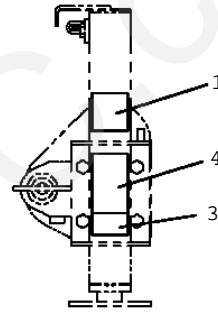
TM-ZE300 41044507044A FRAME/HOOK-IN(AWL)
PO1015086-01 PLATE ASSY,NAME



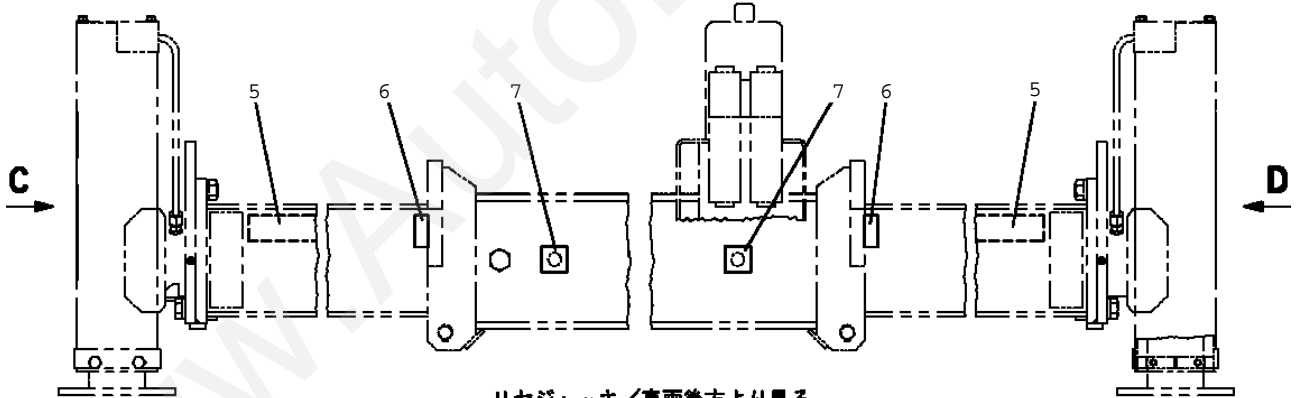
リヤジャッキ/車両後方より見る
(ZE300, ZE360)



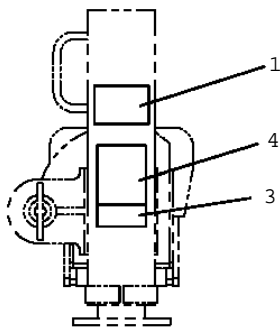
A



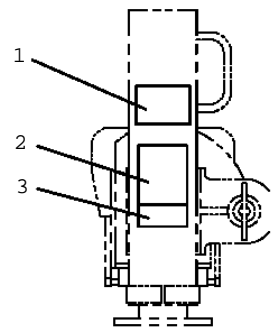
B



リヤジャッキ/車両後方より見る
(ZE500)

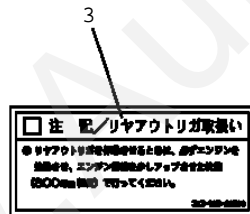
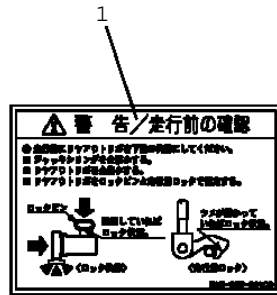


C



D

TM-ZE300 41044507044A FRAME/HOOK-IN(AWL)
PO1015086-01 PLATE ASSY,NAME

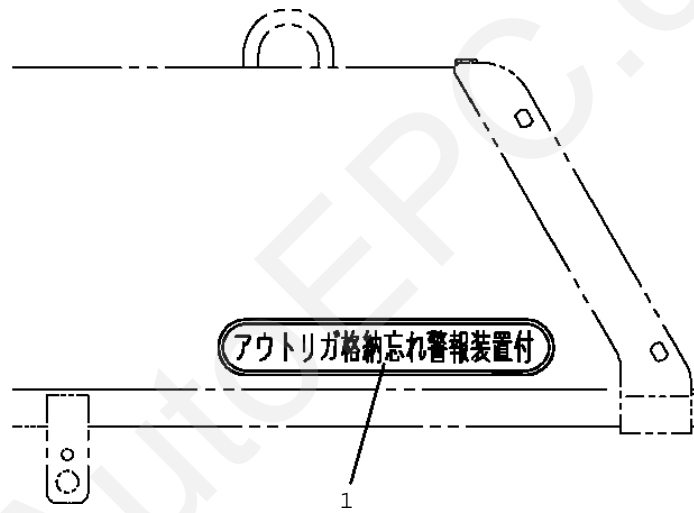


TM-ZE300 41044507044A FRAME/HOOK-IN(AWL)

Pos No.	Parts No	Parts Name	Qty	Unit	Technical Data	Serial No (Start)
1	31398320100	PLATE,CAUTION	2			
2	31398320200	PLATE,CAUTION	1			
3	31398320300	PLATE,CAUTION	2			
4	31398320400	PLATE,CAUTION	1			
5	31393180100	REFLECTOR (RED)	2			
6	31611300500	PLATE,NAME (WHITE)	4			
7	37002213970	PLATE,NAME (MARKING)	2			

www.AutoEPC.com

TM-ZE300 41044507044A FRAME/HOOK-IN(AWL)
PO1015087-01 PLATE ASSY,NAME

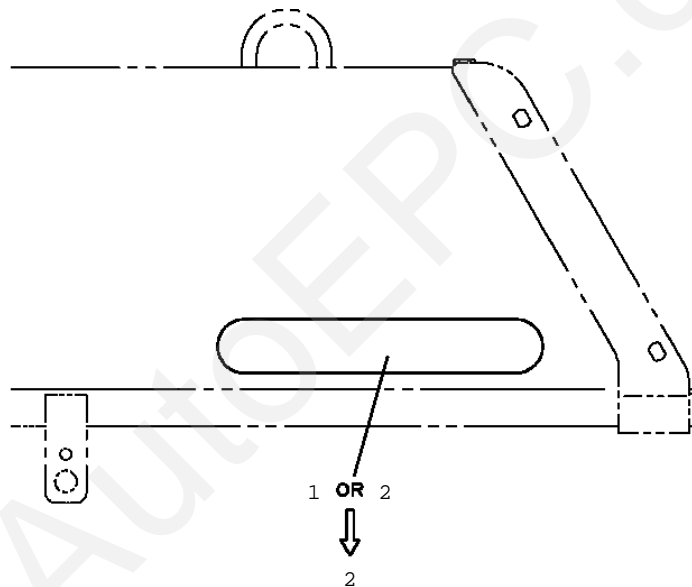


TM-ZE300 41044507044A FRAME/HOOK-IN(AWL)

Pos No.	Parts No	Parts Name	Qty	Unit	Technical Data	Serial No (Start)	Serial No
1	31501315100	PLATE,NAME	2				

www.AutoEPC.com

TM-ZE300 41044507044A FRAME/HOOK-IN(AWL)
PO1015093-02 PLATE ASSY,NAME (INTERLOCK)



1
ジャッキ インターロック装置付

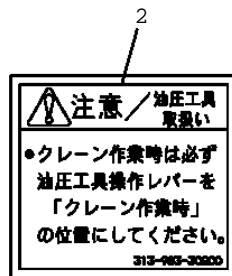
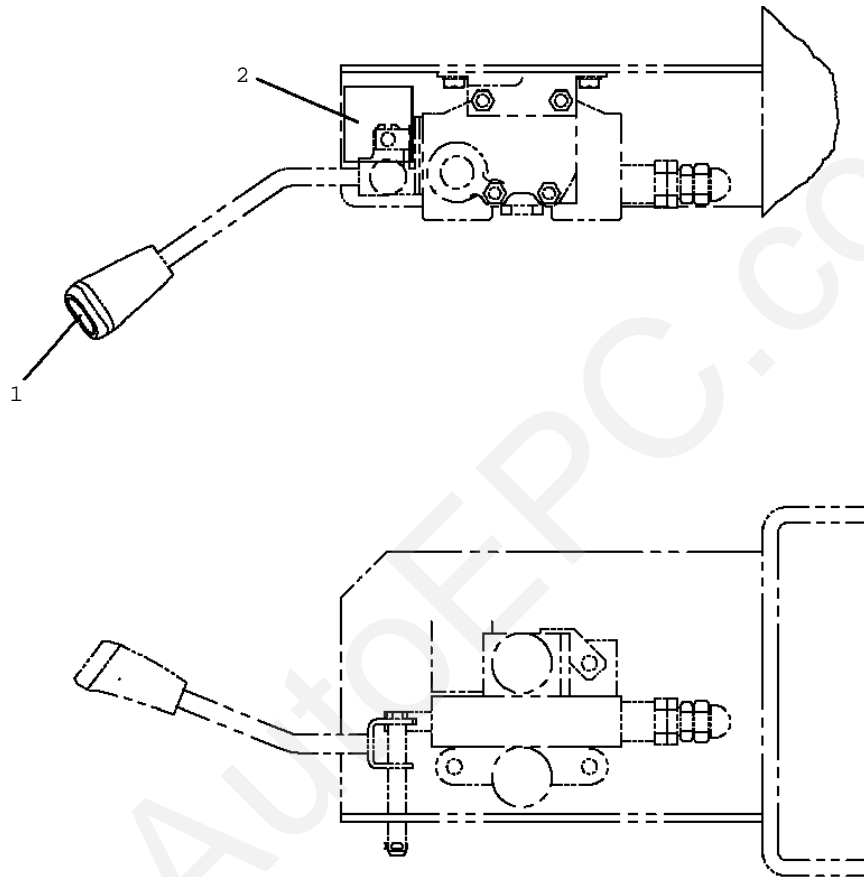
2
ブーム・ジャッキ インターロック装置付

TM-ZE300 41044507044A FRAME/HOOK-IN(AWL)

Pos No.	Parts No	Parts Name	Qty	Unit	Technical Data	Serial No (Start)	Serial No
2	31500626101	PLATE,NAME	2				

www.AutoEPC.com

TM-ZE300 41044507044A FRAME/HOOK-IN(AWL)
PO1015094-01 PLATE ASSY,NAME

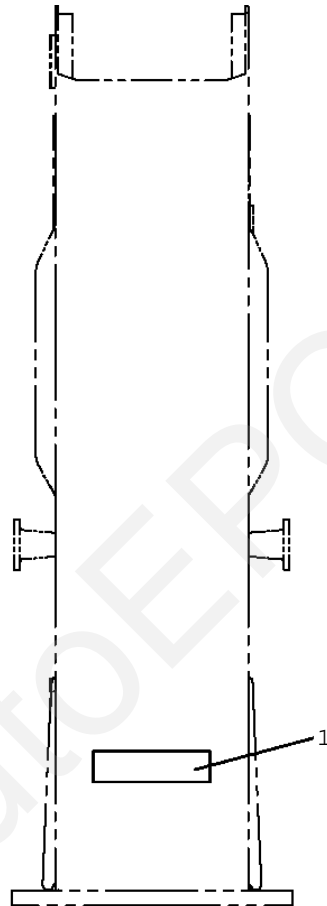


TM-ZE300 41044507044A FRAME/HOOK-IN(AWL)

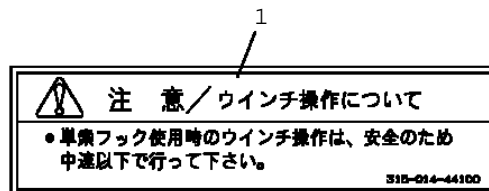
Pos No.	Parts No	Parts Name	Qty	Unit	Technical Data	Serial No (Start)	Serial
1	31398330100	PLATE,NAME	1				
2	31398330200	PLATE,CAUTION	1				

www.AutoEPC.com

TM-ZE300 41044507044A FRAME/HOOK-IN(AWL)
PO1015095-01 PLATE ASSY,NAME (WINCH CONTROL)



ポスト背面から見る

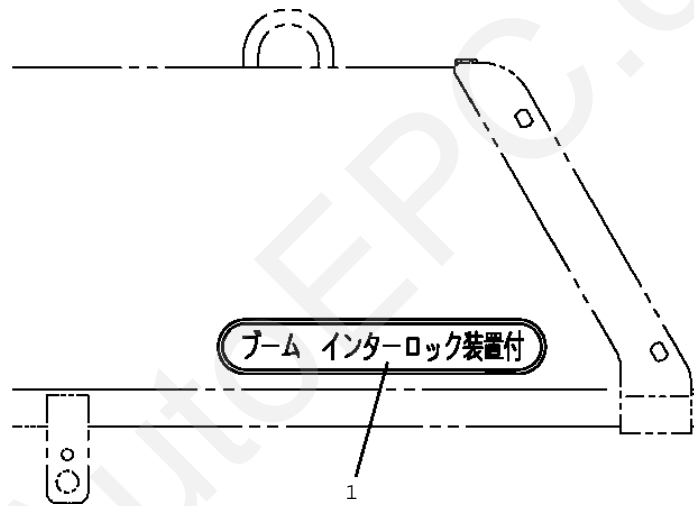


TM-ZE300 41044507044A FRAME/HOOK-IN(AWL)

Pos No.	Parts No	Parts Name	Qty	Unit	Technical Data	Serial No (Start)	Serial
1	31501444100	PLATE,CAUTION	1				

www.AutoEPC.com

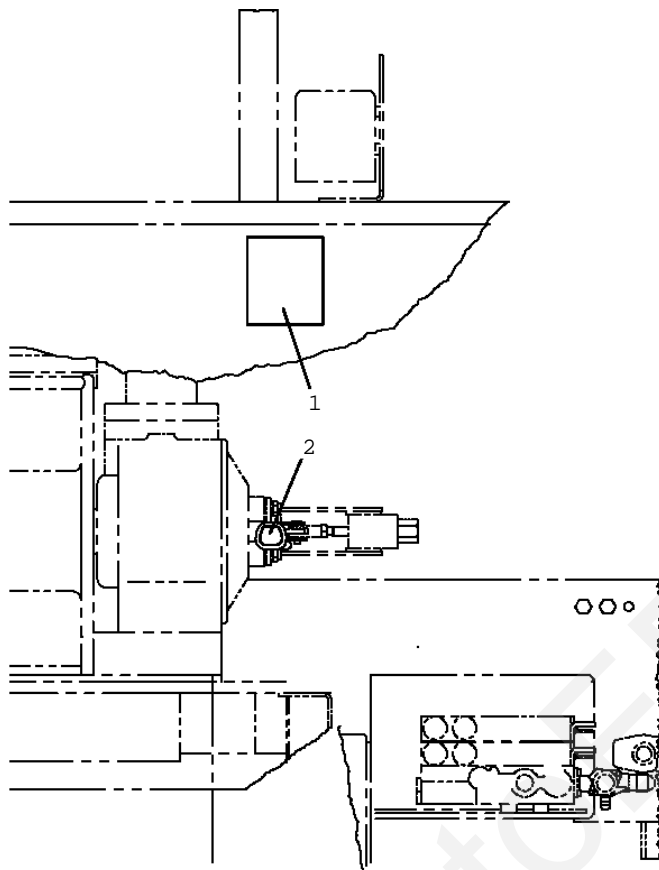
TM-ZE300 41044507044A FRAME/HOOK-IN(AWL)
PO1015096-01 PLATE ASSY,NAME (BOOM INTERLOCK)



TM-ZE300 41044507044A FRAME/HOOK-IN(AWL)

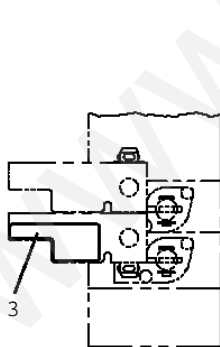
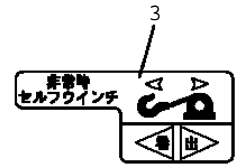
Pos No.	Parts No	Parts Name	Qty	Unit	Technical Data	Serial No (Start)	Serial No
1	31501353100	PLATE,NAME	2				

www.AutoEPC.com

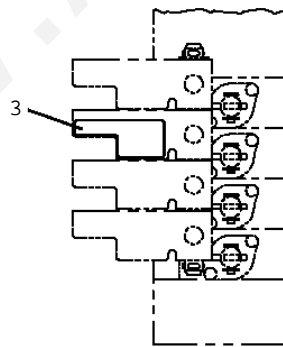


1

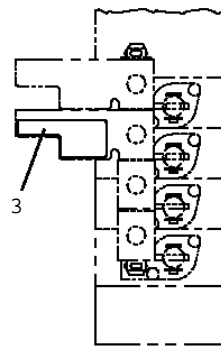
	警告/セルフウインチ取扱い
<ul style="list-style-type: none"> ● 取扱説明書をよく読んでから作業してください。 ● クラッチが十分に噛み合い、クラッチ入ランプが点灯していることを確認してから、巻上げ、巻下げ作業を行ってください。 ● 巻上げ、巻下げは荷物の中心が荷台の中心線上を通るように行ってください。 ● 走行時には、フックをフック掛けに接続し、ワイヤロープを完全にフレームに巻き込んでください。 	
	警告/クラッチ操作
<ul style="list-style-type: none"> ● クラッチ操作は、ワイヤロープに張力がかかっていない状態で行ってください。 ● クラッチ操作の際は、クラッチスイッチを押した状態でウインチスイッチを巻下げ側に操作するとクラッチが切れます。(クラッチ入ランプ点灯) ● クラッチ側の操作を行ってもクラッチが切れない場合はウインチ巻上げ操作を行ってから再び、クラッチ側の操作を行ってください。 ● クラッチ入の操作は、ウインチ巻上げ操作に連動してクラッチが入ります。(クラッチ入ランプ点灯) 	
317-306-91100	



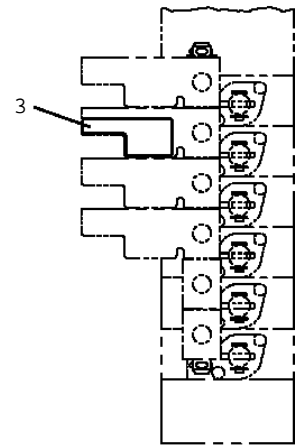
電磁2連バルブ



電磁4連バルブ



電磁4連バルブ



電磁6連バルブ

**キャリーオーバーバルブ操作部
(300SL)**

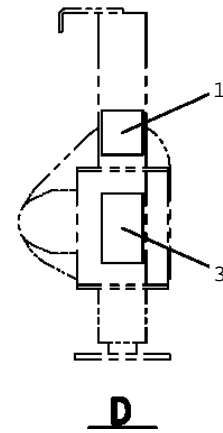
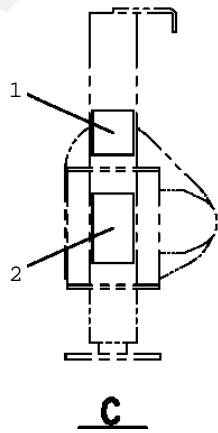
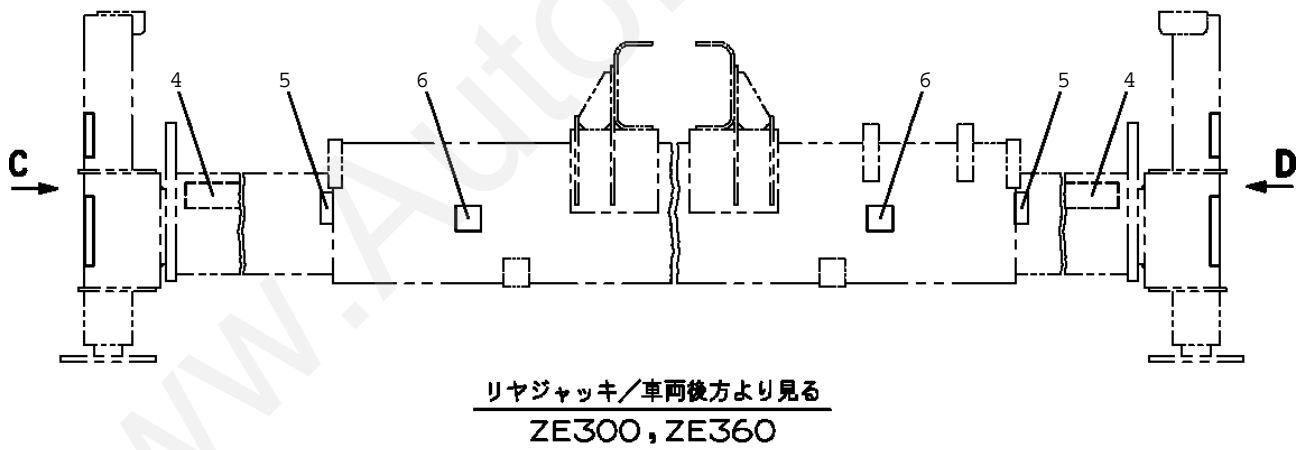
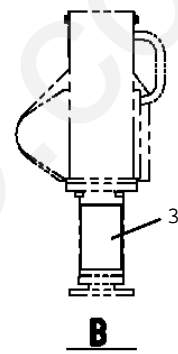
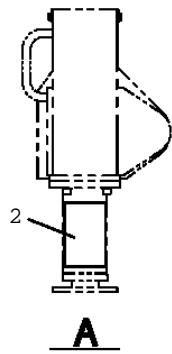
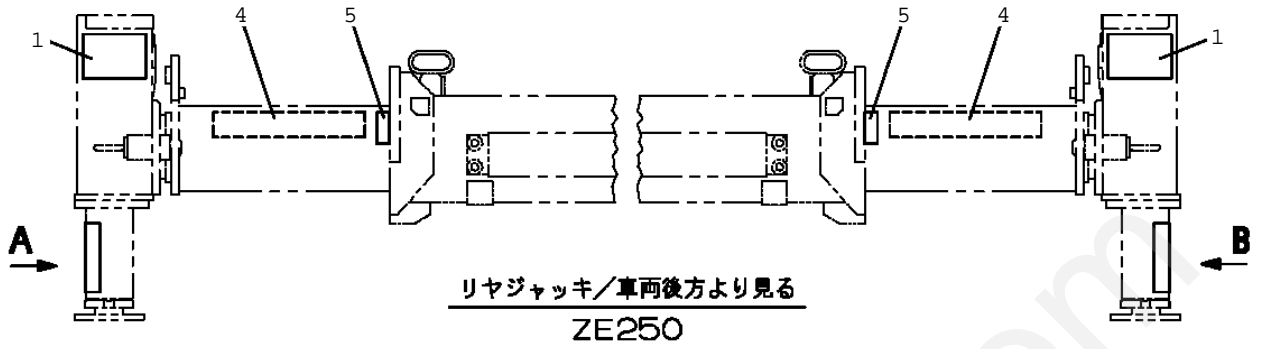
**キャリーオーバーバルブ操作部
(360SL)**

TM-ZE300 41044507044A FRAME/HOOK-IN(AWL)

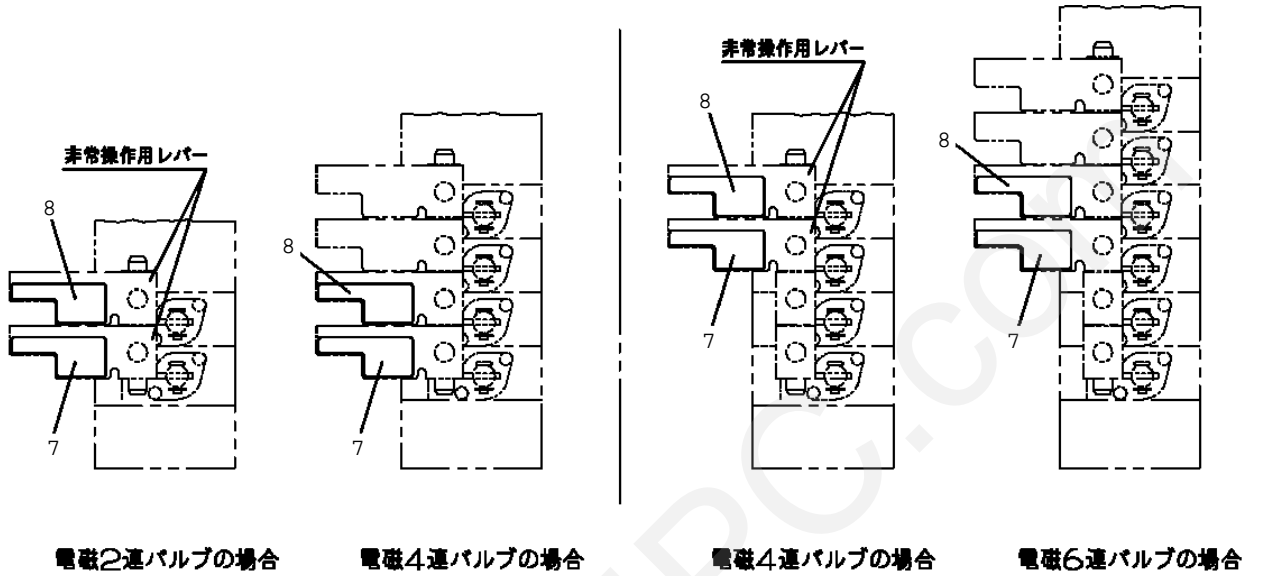
Pos No.	Parts No	Parts Name	Qty	Unit	Technical Data	Serial No (Start)	Serial
1	31730691100	PLATE, CAUTION	1				
2	31730691200	PLATE, NAME	1				
3	31730691300	PLATE, NAME	1				

www.AutoEPC.com

TM-ZE300 41044507044A FRAME/HOOK-IN(AWL)
PO1015106-02 PLATE ASSY,NAME (REAR OUTRIGGER)

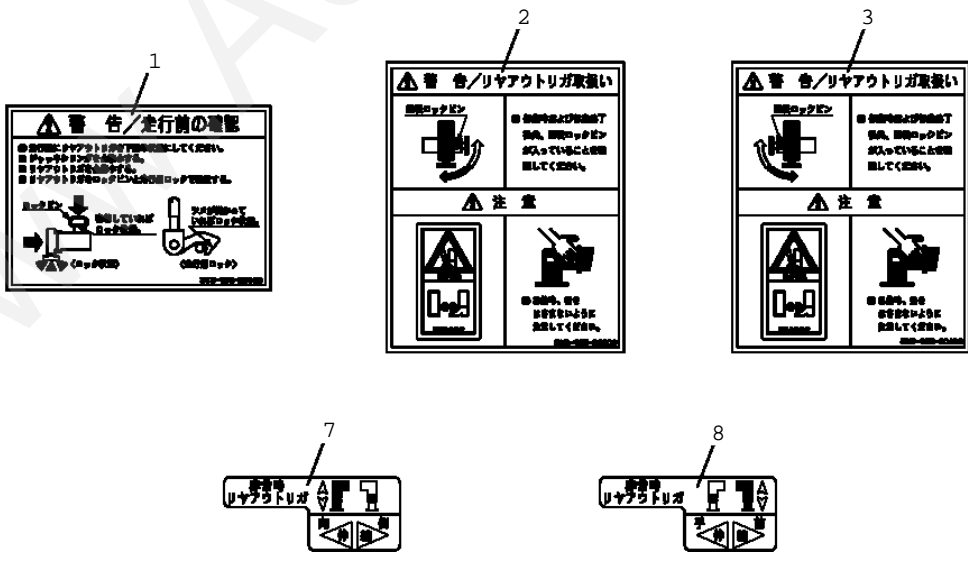


TM-ZE300 41044507044A FRAME/HOOK-IN(AWL)
 PO1015106-02 PLATE ASSY,NAME (REAR OUTRIGGER)



ZE250, 7F300STD
 ZI360²⁵⁰UST³⁰⁰ ZE300SL
 キャリーオーバーバルブ操作部

TM-360SL
 キャリーオーバーバルブ操作部

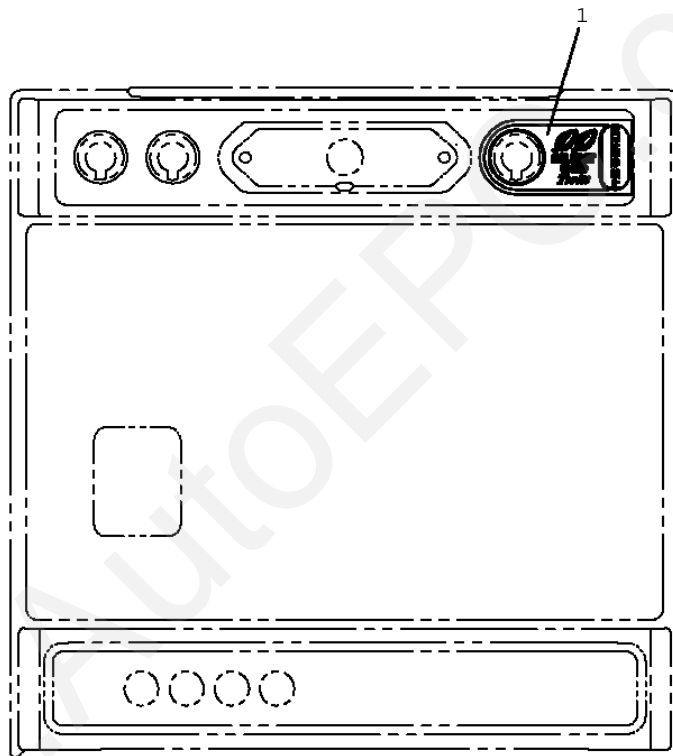


TM-ZE300 41044507044A FRAME/HOOK-IN(AWL)

Pos No.	Parts No	Parts Name	Qty	Unit	Technical Data	Serial No (Start)
1	31398320100	PLATE,CAUTION	2			
2	31398320200	PLATE,CAUTION	1			
3	31398320400	PLATE,CAUTION	1			
4	31393180100	REFLECTOR (RED)	2			
5	31611300500	PLATE,NAME (WHITE)	4			
6	37002213970	PLATE,NAME (MARKING)	2			
7	31398310100	PLATE,NAME	1			
8	31398310200	PLATE,NAME	1			

www.AutoEPC.com

TM-ZE300 41044507044A FRAME/HOOK-IN(AWL)
PO1015288-01 PLATE ASSY,NAME (SILENT ECO)

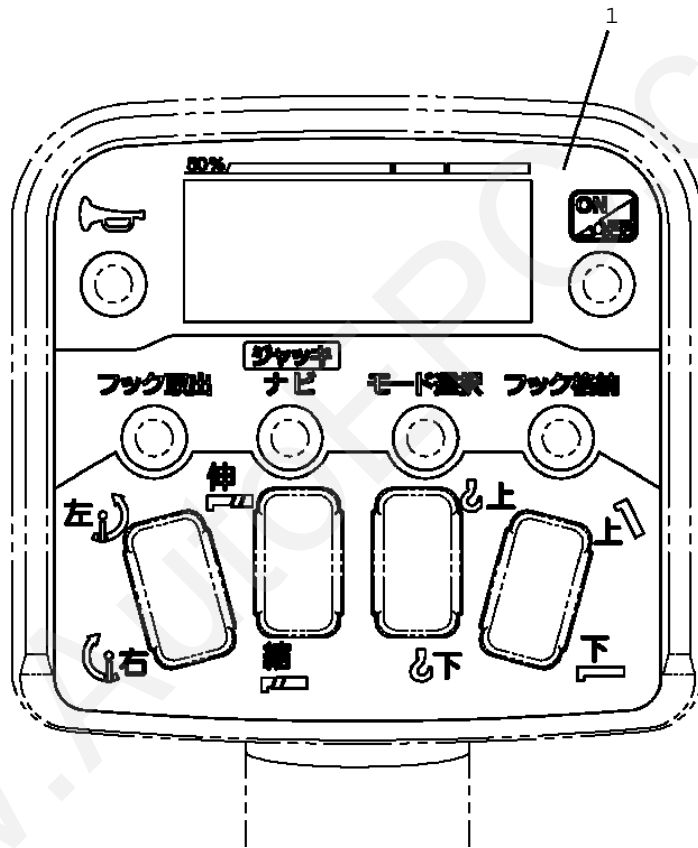


TM-ZE300 41044507044A FRAME/HOOK-IN(AWL)

Pos No.	Parts No	Parts Name	Qty	Unit	Technical Data	Serial No (Start)	Serial
1	31730944300	PLATE,CAUTION	1				

www.AutoEPC.com

TM-ZE300 41044507044A FRAME/HOOK-IN(AWL)
PO1015315-01 PLATE ASSY,NAME (SWITCH,BOX)

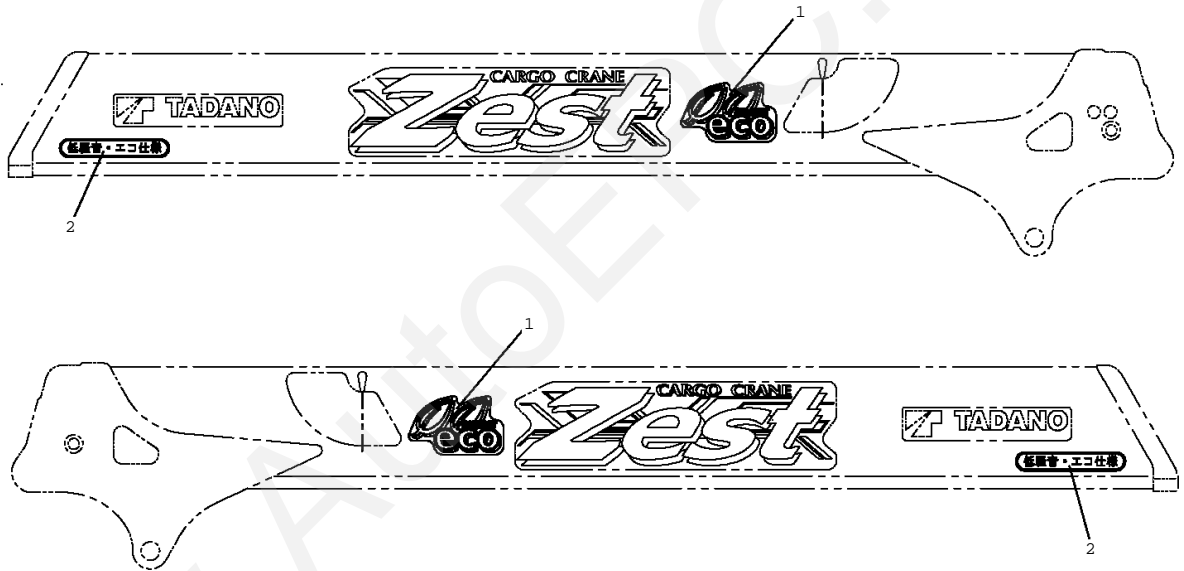


TM-ZE300 41044507044A FRAME/HOOK-IN(AWL)

Pos No.	Parts No	Parts Name	Qty	Unit	Technical Data	Serial No (Start)	Serial No
1	36806250110	PLATE,NAME	1				

www.AutoEPC.com

TM-ZE300 41044507044A FRAME/HOOK-IN(AWL)
PO1015572-00 PLATE ASSY,NAME (BOOM)

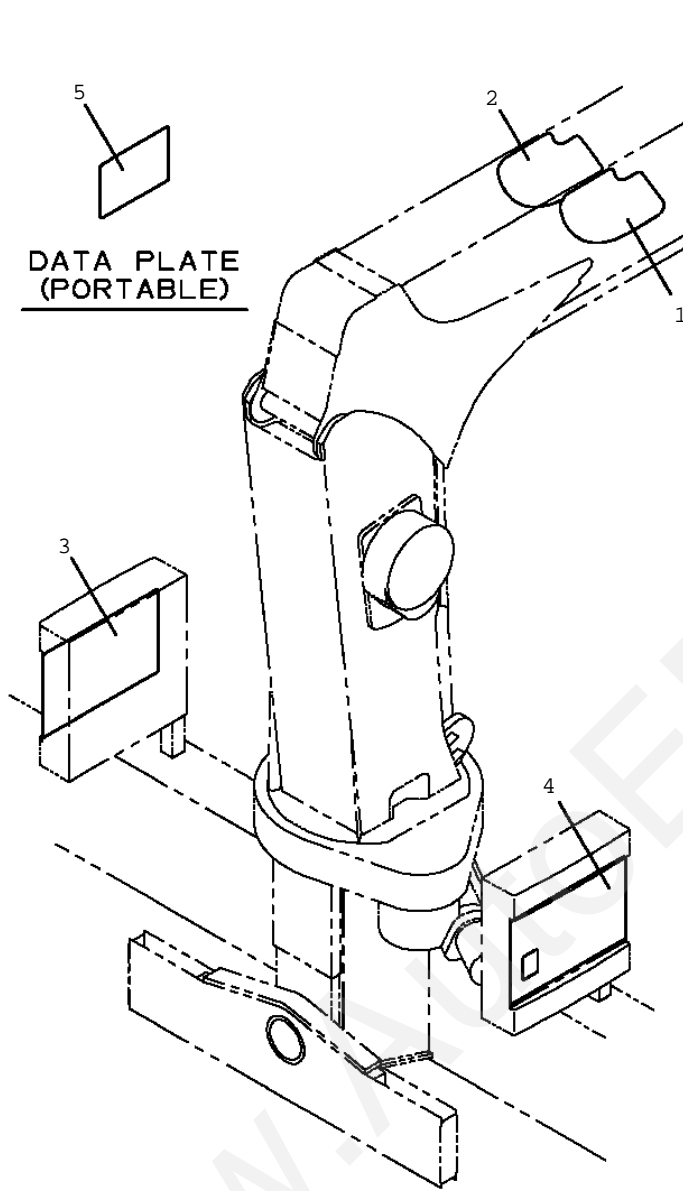


TM-ZE300 41044507044A FRAME/HOOK-IN(AWL)

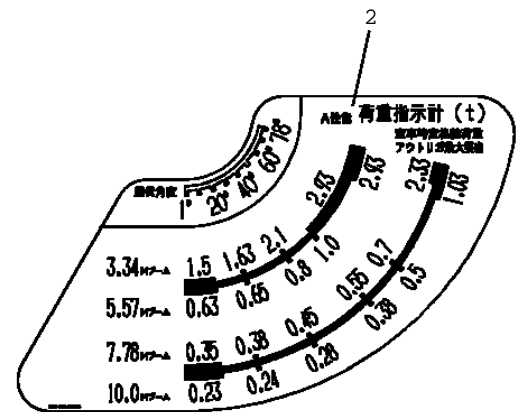
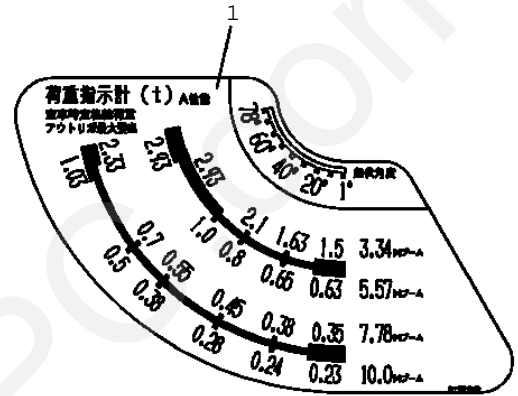
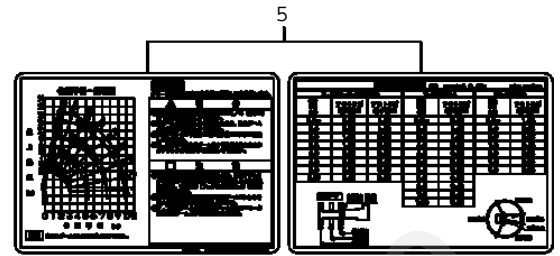
Pos No.	Parts No	Parts Name	Qty	Unit	Technical Data	Serial No (Star
1	31730934100	PLATE,NAME (SILENT ECO)	2			
2	31730951100	PLATE,NAME	2			

www.AutoEPC.com

TM-ZE300 41044507044A FRAME/HOOK-IN(AWL)
 PO1070818-01 PERFORMANCE DATA (304SL/A)



DATA PLATE
(PORTABLE)

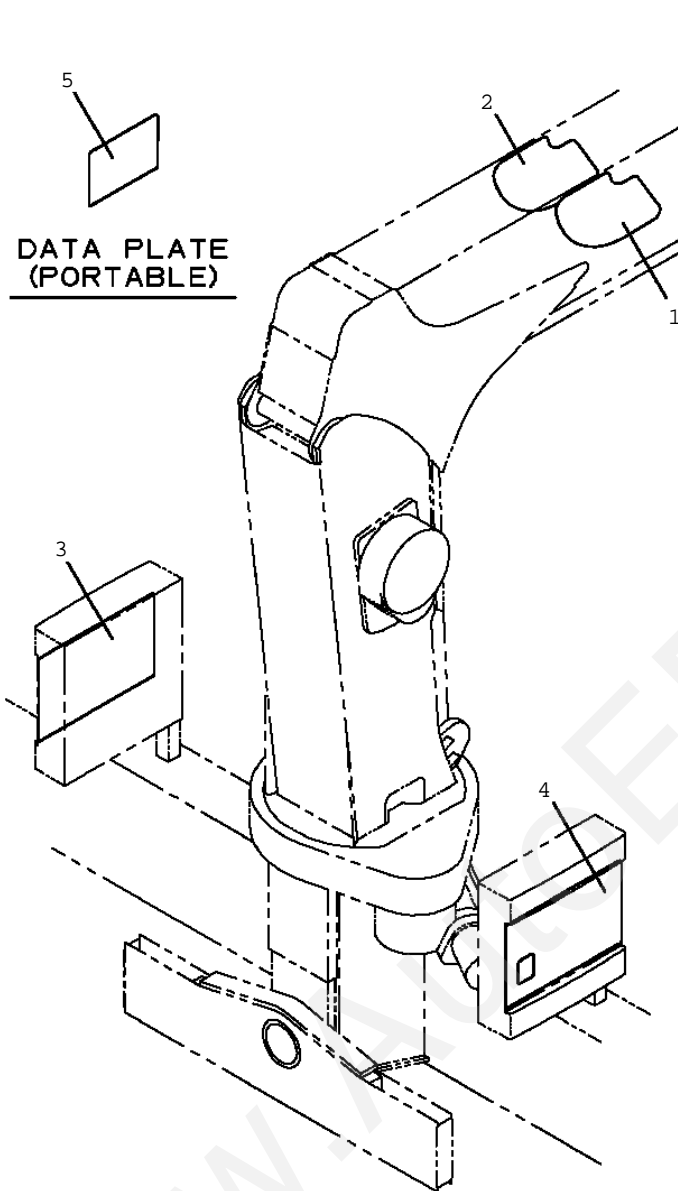


TM-ZE300 41044507044A FRAME/HOOK-IN(AWL)

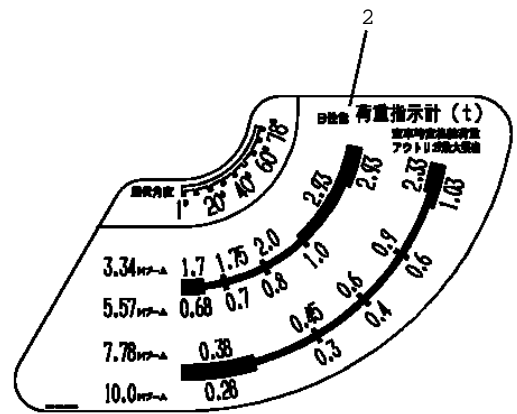
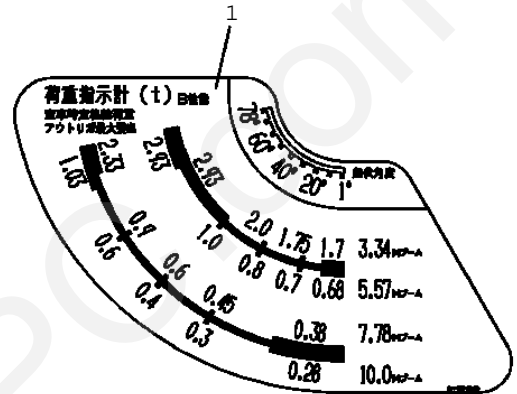
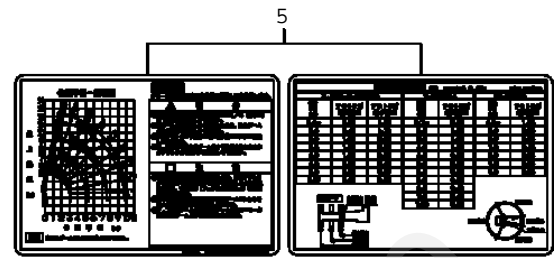
Pos No.	Parts No	Parts Name	Qty	Unit	Technical Data	Serial No (Start)	Serial No
1	31497231100	PLATE,NAME	1				
2	31497231200	PLATE,NAME	1				
3	31497081100	PLATE,NAME	1				
4	31497081200	PLATE,NAME	1				
5	31497081300	PLATE,NAME	1				

www.AutoEPC.com

TM-ZE300 41044507044A FRAME/HOOK-IN(AWL)
 PO1070819-01 PERFORMANCE DATA (304SL/B)



DATA PLATE
(PORTABLE)



項目	実効重量 (t)		実効圧力 (MPa)	
	実測時	最大値	実測時	最大値
1.0	1.0	1.0	1.0	1.0
1.5	1.5	1.5	1.5	1.5
2.0	2.0	2.0	2.0	2.0
2.5	2.5	2.5	2.5	2.5
3.0	3.0	3.0	3.0	3.0
4.0	4.0	4.0	4.0	4.0
5.0	5.0	5.0	5.0	5.0
6.0	6.0	6.0	6.0	6.0
7.0	7.0	7.0	7.0	7.0
8.0	8.0	8.0	8.0	8.0
9.0	9.0	9.0	9.0	9.0
10.0	10.0	10.0	10.0	10.0

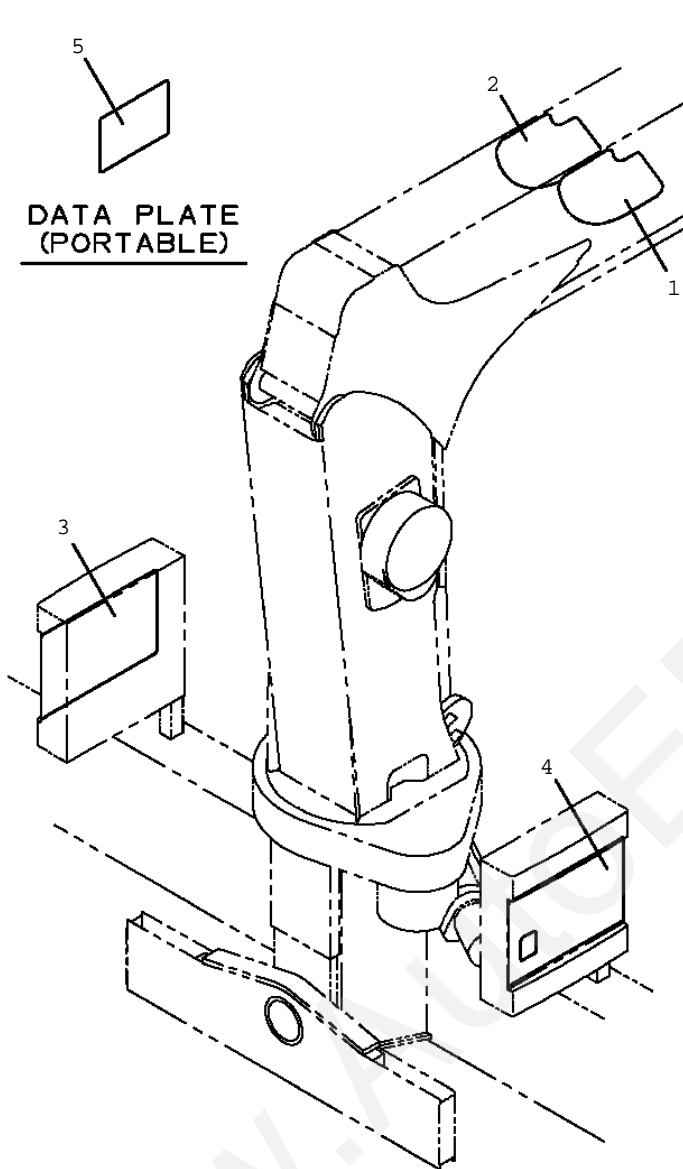
項目	実効重量 (t)		実効圧力 (MPa)	
	実測時	最大値	実測時	最大値
1.0	1.0	1.0	1.0	1.0
1.5	1.5	1.5	1.5	1.5
2.0	2.0	2.0	2.0	2.0
2.5	2.5	2.5	2.5	2.5
3.0	3.0	3.0	3.0	3.0
4.0	4.0	4.0	4.0	4.0
5.0	5.0	5.0	5.0	5.0
6.0	6.0	6.0	6.0	6.0
7.0	7.0	7.0	7.0	7.0
8.0	8.0	8.0	8.0	8.0
9.0	9.0	9.0	9.0	9.0
10.0	10.0	10.0	10.0	10.0

TM-ZE300 41044507044A FRAME/HOOK-IN(AWL)

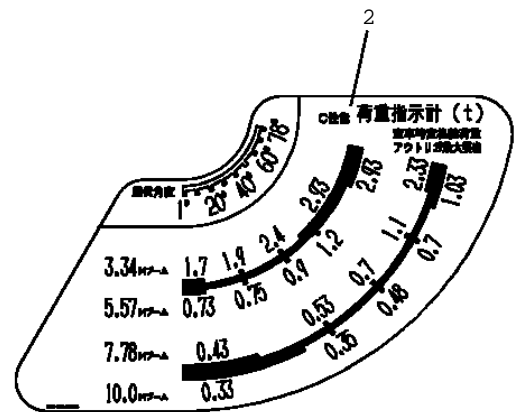
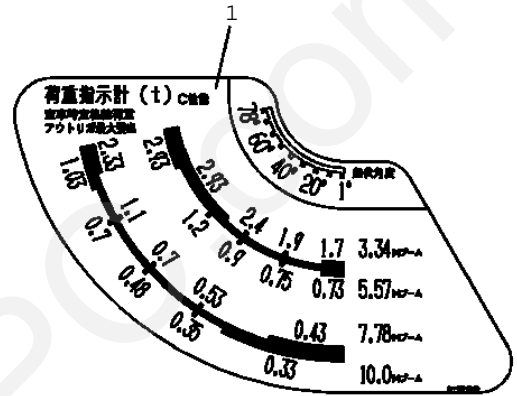
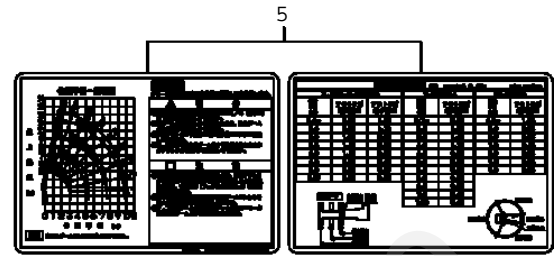
Pos No.	Parts No	Parts Name	Qty	Unit	Technical Data	Serial No (Start)	Serial No
1	31497232100	PLATE,NAME	1				
2	31497232200	PLATE,NAME	1				
3	31497082100	PLATE,NAME	1				
4	31497082200	PLATE,NAME	1				
5	31497082300	PLATE,NAME	1				

www.AutoEPC.com

TM-ZE300 41044507044A FRAME/HOOK-IN(AWL)
 PO1070820-01 PERFORMANCE DATA (304SL/C)



DATA PLATE
(PORTABLE)



Detailed view of the data plate (component 3) showing a table of performance data. The table includes columns for various parameters and rows for different test conditions.

項目	単位	値	単位	値	単位	値	単位	値	単位	値
試験機	MPa	1.00	MPa	1.1	MPa	1.2	MPa	1.3	MPa	1.5
試験機	MPa	1.7	MPa	1.9	MPa	2.1	MPa	2.4	MPa	2.8
試験機	MPa	3.34	MPa	3.5	MPa	4.0	MPa	4.5	MPa	5.0
試験機	MPa	5.57	MPa	6.0	MPa	7.0	MPa	7.78	MPa	8.0
試験機	MPa	9.0	MPa	10.0	MPa		MPa		MPa	

Detailed view of the data plate (component 4) showing a table of performance data. The table includes columns for various parameters and rows for different test conditions.

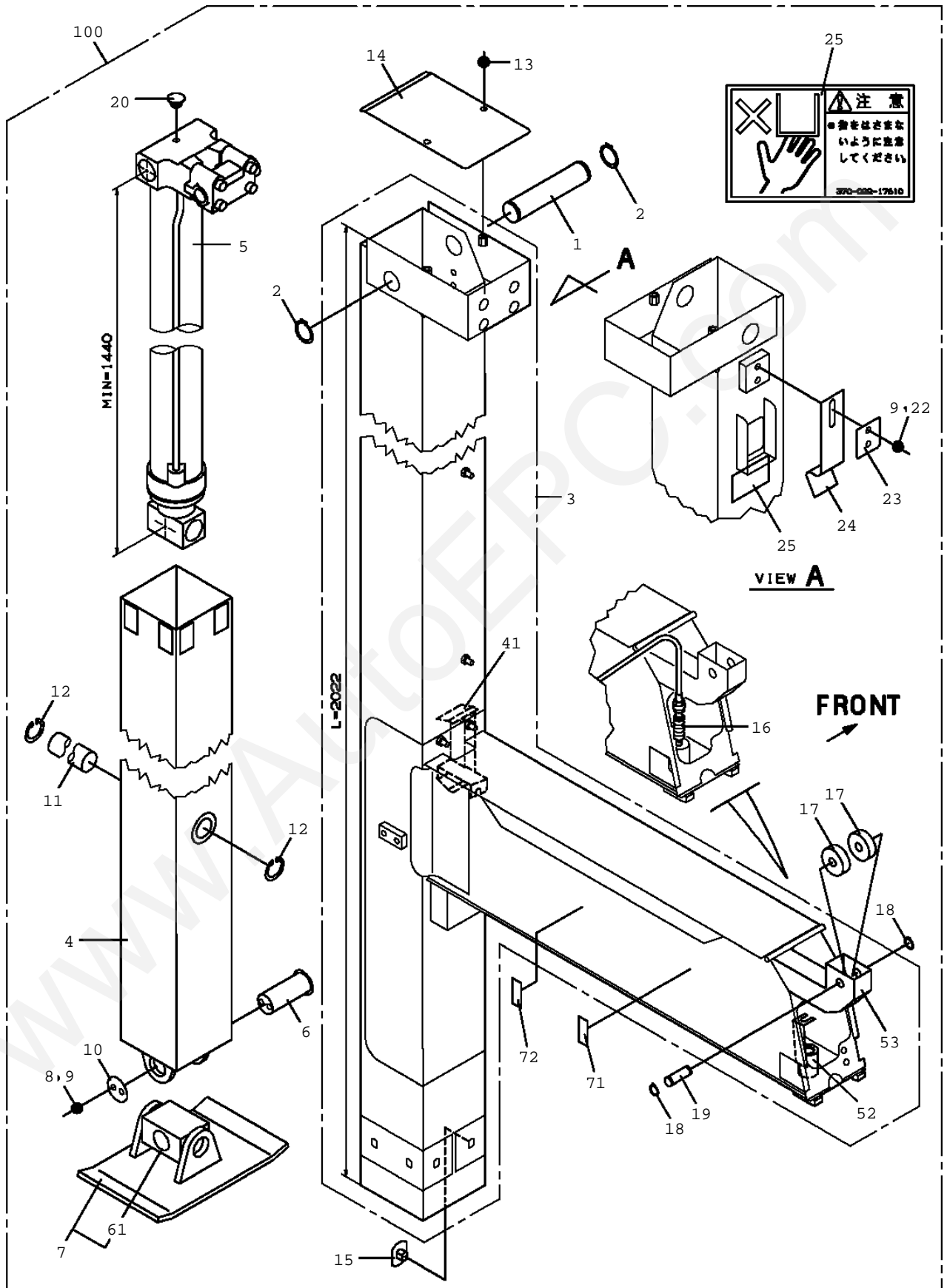
項目	単位	値	単位	値	単位	値	単位	値	単位	値
試験機	MPa	1.00	MPa	1.1	MPa	1.2	MPa	1.3	MPa	1.5
試験機	MPa	1.7	MPa	1.9	MPa	2.1	MPa	2.4	MPa	2.8
試験機	MPa	3.34	MPa	3.5	MPa	4.0	MPa	4.5	MPa	5.0
試験機	MPa	5.57	MPa	6.0	MPa	7.0	MPa	7.78	MPa	8.0
試験機	MPa	9.0	MPa	10.0	MPa		MPa		MPa	

TM-ZE300 41044507044A FRAME/HOOK-IN(AWL)

Pos No.	Parts No	Parts Name	Qty	Unit	Technical Data	Serial No (Start)	Serial No
1	31497233100	PLATE,NAME	1				
2	31497233200	PLATE,NAME	1				
3	31497083100	PLATE,NAME	1				
4	31497083200	PLATE,NAME	1				
5	31497083300	PLATE,NAME	1				

www.AutoEPC.com

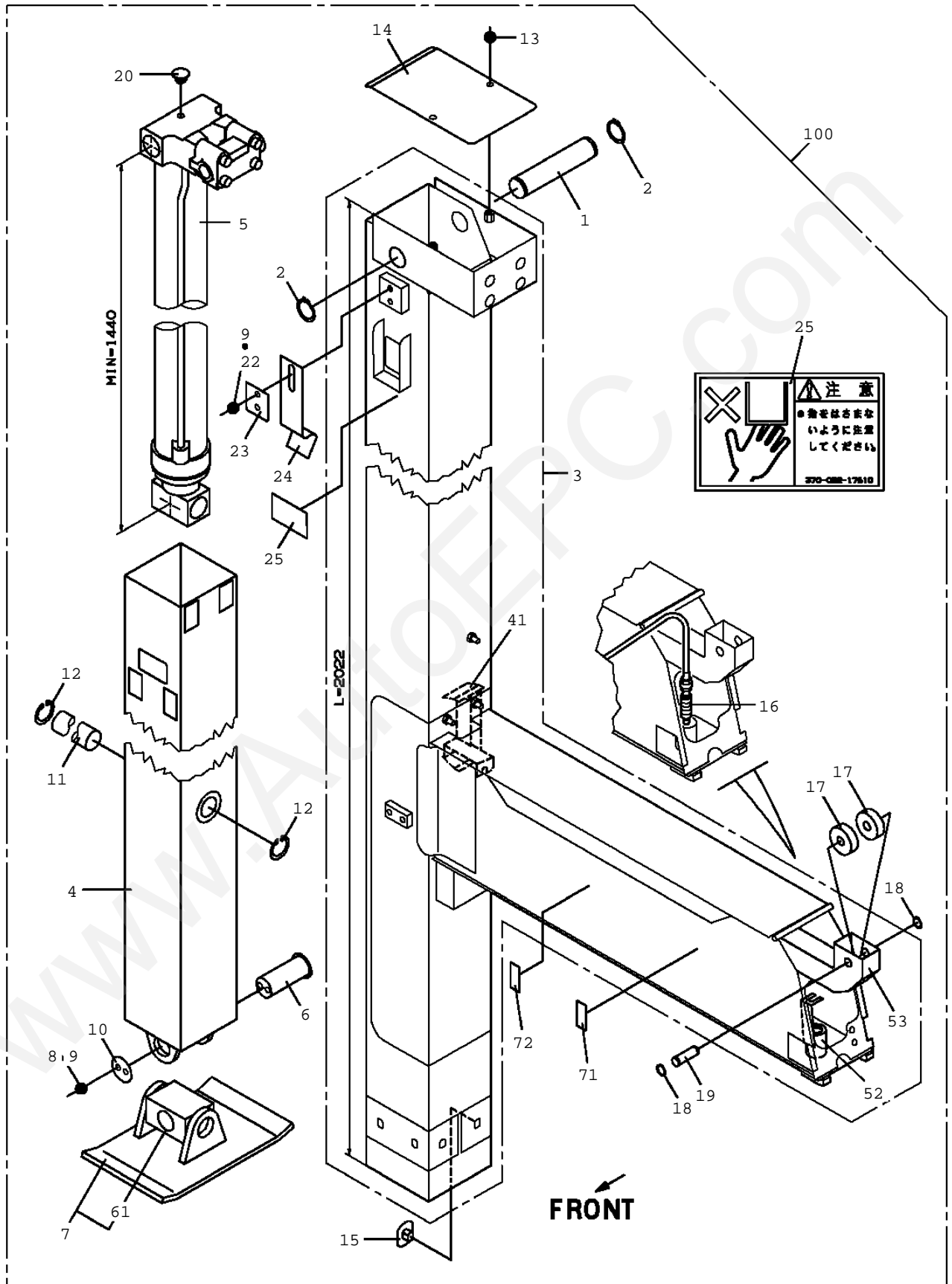
TM-ZE300 41044507044A FRAME/HOOK-IN(AWL)
 PO5270006-02 OUTRIGGER ASSY (LEFT/CASE:L=2022,MIN=1440)



TM-ZE300 41044507044A FRAME/HOOK-IN(AWL)

Pos No.	Parts No	Parts Name	Qty	Unit	Technical
1	37000161720	PIN	1		
2	80601110350	RING,RITAINING	2		S35
3	31613872002	CASE, OUTER	1		
4	31613723000	CASE, INNER	1		
5	(*****)	CYLINDER,JACK (MIN=1440)	1		
6	37000104130	PIN	1		
7	31610055000	FLOAT ASSY	1		
8	90191210020	BOLT	2		M10X20
9	90302041001	WASHER, SPRING	4		10
10	31200030530	PLATE	1		
11	37000161730	PIN	1		
12	80602110350	RING,RITAINING	2		R35
13	90186208014	BOLT, FLANGE	2		M8X14
14	31613690500	COVER	1		
15	31201770100	PLATE, SLIDE	8		T=3.0
16	(*****)	OPE.ASSY,OUTRIGGER	1		
17	31620582020	BEARING,BALL (KOYO)	2		
18	80601110150	RING,RITAINING	2		15
19	37000150360	PIN	1		
20	82401800100	PLUG (FOR M10)	1		
22	90171110020	BOLT	2		M10X20
23	50822014000	PLATE	1		
24	37001400200	SPRING	1		
25	37002217610	PLATE,CAUTION (CAUTION)	1		
41	31613572400	SUPPORT	1		
52	31613572600	SUPPORT	1		
53	31613692800	SUPPORT (STEEL CAST)	1		
	31613692200	SUPPORT (WELDED)	1		
61	31610055010	TRUNNION	1		
71	31611300500	PLATE,NAME (WHITE)	2		
72	31611300600	PLATE,NAME (YELLOW)	2		
100	31613870102	OUTRIGGER ASSY (LEFT/CASE:L=2022,MIN=1440)	1		

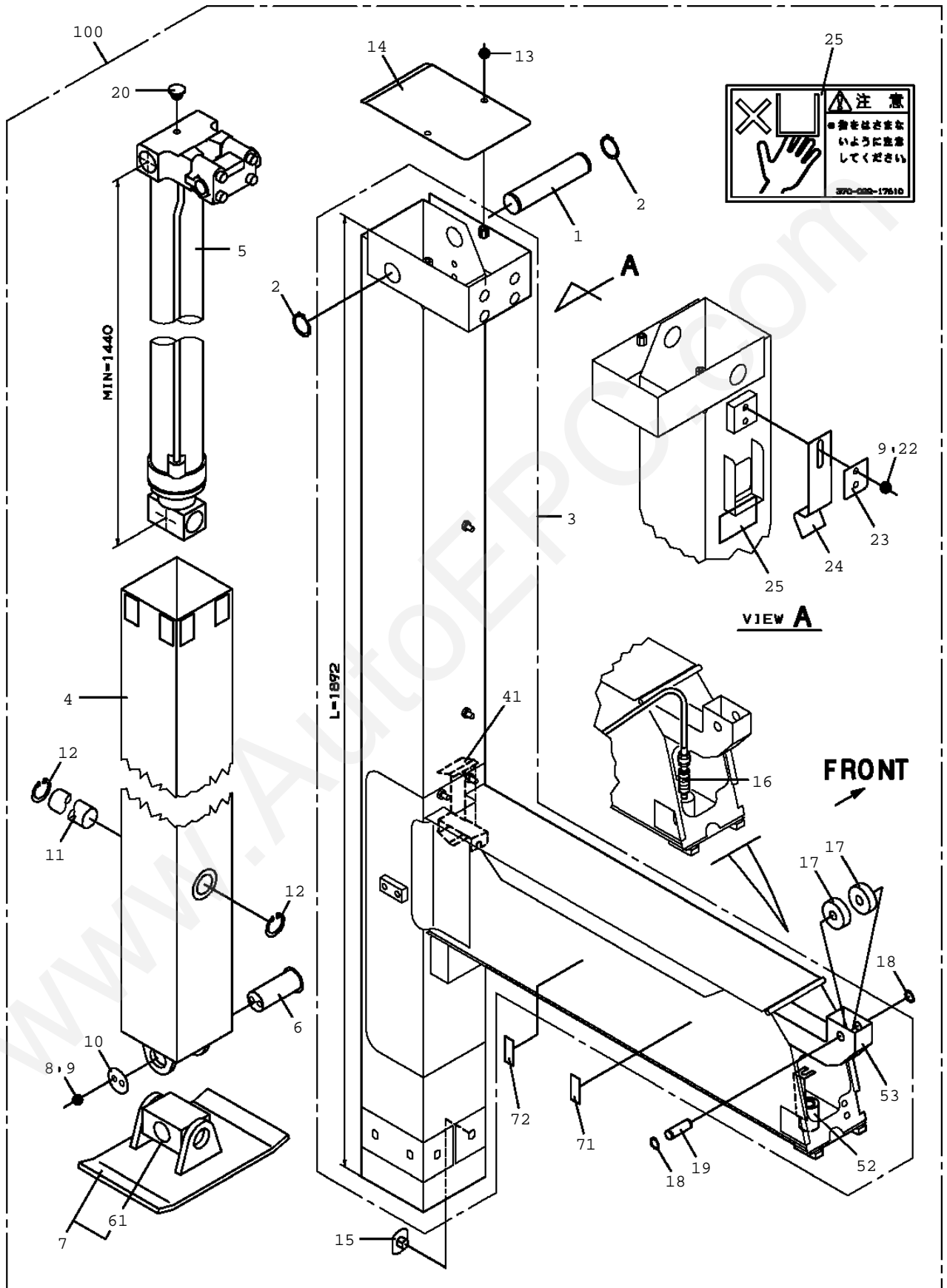
TM-ZE300 41044507044A FRAME/HOOK-IN(AWL)
 PO5270007-02 OUTRIGGER ASSY (RIGHT/CASE:L=2022,MIN=1440)



TM-ZE300 41044507044A FRAME/HOOK-IN(AWL)

Pos No.	Parts No	Parts Name	Qty	Unit	Technical
1	37000161720	PIN	1		
2	80601110350	RING,RITAINING	2		S35
3	31613874002	CASE, OUTER	1		
4	31613723000	CASE, INNER	1		
5	(*****)	CYLINDER,JACK (MIN=1440)	1		
6	37000104130	PIN	1		
7	31610055000	FLOAT ASSY	1		
8	90191210020	BOLT	2		M10X20
9	90302041001	WASHER, SPRING	4		10
10	31200030530	PLATE	1		
11	37000161730	PIN	1		
12	80602110350	RING,RITAINING	2		R35
13	90186208014	BOLT, FLANGE	2		M8X14
14	31613690500	COVER	1		
15	31201770100	PLATE, SLIDE	8		T=3.0
16	(*****)	OPE.ASSY,OUTRIGGER	1		
17	31620582020	BEARING,BALL (KOYO)	2		
18	80601110150	RING,RITAINING	2		15
19	37000150360	PIN	1		
20	82401800100	PLUG (FOR M10)	1		
22	90171110020	BOLT	2		M10X20
23	50822014000	PLATE	1		
24	37001400200	SPRING	1		
25	37002217610	PLATE,CAUTION (CAUTION)	1		
41	31613572400	SUPPORT	1		
52	31613572600	SUPPORT	1		
53	31613692200	SUPPORT (WELDED)	1		
	31613692800	SUPPORT (STEEL CAST)	1		
61	31610055010	TRUNNION	1		
71	31611300500	PLATE,NAME (WHITE)	2		
72	31611300600	PLATE,NAME (YELLOW)	2		
100	31613870202	OUTRIGGER ASSY (RIGHT/CASE:L=2022,MIN=1440)	1		

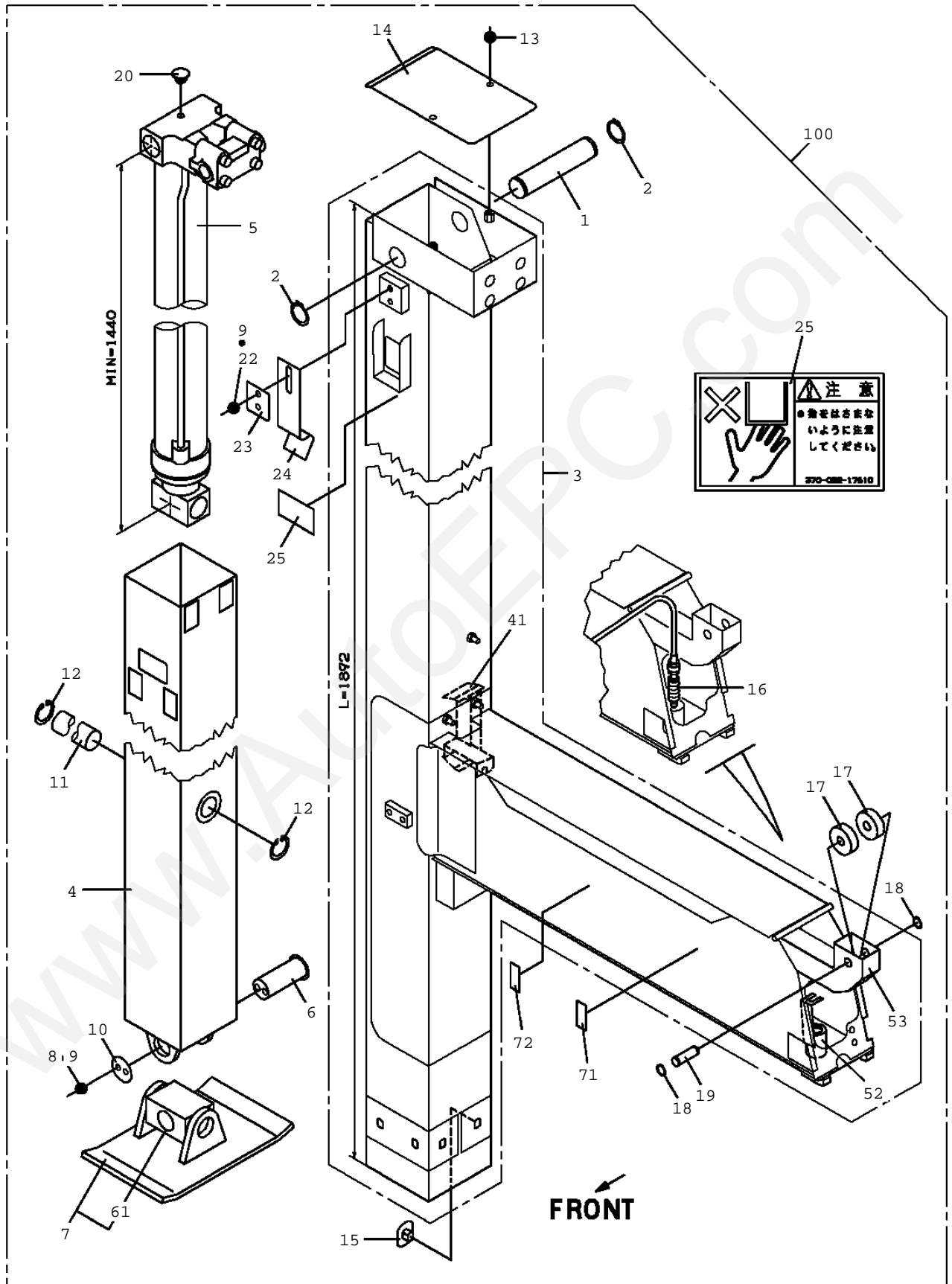
TM-ZE300 41044507044A FRAME/HOOK-IN(AWL)
 PO5270016-02 OUTRIGGER ASSY (LEFT/CASE:L=1892,MIN=1440)



TM-ZE300 41044507044A FRAME/HOOK-IN(AWL)

Pos No.	Parts No	Parts Name	Qty	Unit	Technical
1	37000161720	PIN	1		
2	80601110350	RING,RITAINING	2		S35
3	31613692003	CASE, OUTER	1		
4	31611302001	CASE, INNER	1		
5	(*****)	CYLINDER, JACK (MIN=1440)	1		
6	37000104130	PIN	1		
7	31610055000	FLOAT ASSY	1		
8	90191210020	BOLT	2		M10X20
9	90302041001	WASHER, SPRING	4		10
10	31200030530	PLATE	1		
11	37000161730	PIN	1		
12	80602110350	RING,RITAINING	2		R35
13	90186208014	BOLT, FLANGE	2		M8X14
14	31613690500	COVER	1		
15	31201770100	PLATE, SLIDE	8		T=3.0
16	(*****)	OPE. ASSY, OUTRIGGER	1		
17	31620582020	BEARING, BALL (KOYO)	2		
18	80601110150	RING,RITAINING	2		15
19	37000150360	PIN	1		
20	82401800100	PLUG (FOR M10)	1		
22	90171110020	BOLT	2		M10X20
23	50822014000	PLATE	1		
24	37001400200	SPRING	1		
25	37002217610	PLATE, CAUTION (CAUTION)	1		
41	31613572400	SUPPORT	1		
52	31613572600	SUPPORT	1		
53	31613692200	SUPPORT (WELDED)	1		
	31613692800	SUPPORT (STEEL CAST)	1		
61	31610055010	TRUNNION	1		
71	31611300500	PLATE, NAME (WHITE)	2		
72	31611300600	PLATE, NAME (YELLOW)	2		
100	31613690103	OUTRIGGER ASSY (LEFT/CASE:L=1892,MIN=1440)	1		

TM-ZE300 41044507044A FRAME/HOOK-IN(AWL)
 PO5270017-02 OUTRIGGER ASSY (RIGHT/CASE:L=1892,MIN=1440)



TM-ZE300 41044507044A FRAME/HOOK-IN(AWL)

Pos No.	Parts No	Parts Name	Qty	Unit	Technical
1	37000161720	PIN	1		
2	80601110350	RING,RITAINING	2		S35
3	31613694003	CASE, OUTER	1		
4	31611302001	CASE, INNER	1		
5	(*****)	CYLINDER,JACK (MIN=1440)	1		
6	37000104130	PIN	1		
7	31610055000	FLOAT ASSY	1		
8	90191210020	BOLT	2		M10X20
9	90302041001	WASHER, SPRING	4		10
10	31200030530	PLATE	1		
11	37000161730	PIN	1		
12	80602110350	RING,RITAINING	2		R35
13	90186208014	BOLT, FLANGE	2		M8X14
14	31613690500	COVER	1		
15	31201770100	PLATE, SLIDE	8		T=3.0
16	(*****)	OPE.ASSY,OUTRIGGER	1		
17	31620582020	BEARING,BALL (KOYO)	2		
18	80601110150	RING,RITAINING	2		15
19	37000150360	PIN	1		
20	82401800100	PLUG (FOR M10)	1		
22	90171110020	BOLT	2		M10X20
23	50822014000	PLATE	1		
24	37001400200	SPRING	1		
25	37002217610	PLATE, CAUTION (CAUTION)	1		
41	31613572400	SUPPORT	1		
52	31613572600	SUPPORT	1		
53	31613692200	SUPPORT (WELDED)	1		
	31613692800	SUPPORT (STEEL CAST)	1		
61	31610055010	TRUNNION	1		
71	31611300500	PLATE,NAME (WHITE)	2		
72	31611300600	PLATE,NAME (YELLOW)	2		
100	31613690203	OUTRIGGER ASSY (RIGHT/CASE:L=1892,MIN=1440)	1		

TM-ZE300 41044507044A FRAME/HOOK-IN(AWL)
 PP5060001-00 PARTS ASSY,AWL (3,4 SECT. WITHOUT BOOM INTERLO

指示番号 KEY NO.	パーツASSY,AWL (3,4セクション フームインターロックなし) PARTS ASSY,AWL (3,4 SECT. WITHOUT BOOM INTERLOCK)
1	ハイセンASSY (フレームフ / アンセ ンソウチ) ELEC.ASSY (FRAME/SAFETY DEVICES)
2	ハイセンASSY (フレームフ スイッチ) ELEC.ASSY (FRAME SWITCH)
3	ハイセンASSY (O/Rアツリヨクケンシュツキカラコネクタヨウフ ラグ) ELEC.ASSY (PLUG FOR O/R PRES.DETECTOR)
4	ハイセンASSY (ホ ストフ / テ テクタASSY, モーメント) ELEC.ASSY (POST/DETECTOR ASSY, MOMENT)
5	ハイセンASSY (ホ ストフ / リレーホ ックス) ELEC.ASSY (POST/RELAY BOX)
6	ハイセンASSY (キフクカクノウケンシュツSW) ELEC.ASSY (BOOM ELEVATING STOWING SW)
7	ハイセンASSY (フ ームフ / テ イテクタASSY) ELEC.ASSY (BOOM/DETECTOR ASSY)
8	ハイセンASSY (ナカ サケンシュツキコード ハイサウ) ELEC.ASSY (DETECTOR ASSY, LENGTH CORD)
9	ハイセンASSY (ランプ フ) ELEC.ASSY (LAMP)
11	ランプ LAMP
12	サホ ート SUPPORT
13	ネームフ レートASSY (ランプ サキ ヨウカイシマエテンケン) NAME PLATE ASSY
14	ネームフ レートASSY (フ ーム&コントロールユニットハ ネルフ) NAME PLATE ASSY (BOOM & CONTROL UNIT)

TM-ZE300 41044507044A FRAME/HOOK-IN(AWL)

Pos No.	Parts No	Parts Name	Qty	Unit	Technical
1	(*****)	ELEC.ASSY (FRAME/SAFETY DEVICES)	1		
2	(*****)	ELEC.ASSY (FRAME SWITCH)	1		
3	(*****)	ELEC.ASSY (PLUG FOR O/R PRES.DETECTOR)	1		
4	(*****)	ELEC.ASSY (POST/DETECTOR ASSY,MOMENT)	1		
5	(*****)	ELEC.ASSY (POST/RELAY BOX)	1		
6	(*****)	ELEC.ASSY (BOOM ELEVATING STOWING SW)	1		
7	(*****)	ELEC.ASSY (BOOM/DETECTOR ASSY)	1		
8	(*****)	ELEC.ASSY (DETECTOR ASSY,LENGTH CORD)	1		
9	(*****)	ELEC.ASSY (LAMP)	1		
11	(*****)	LAMP (O/R ALARM:RIGHT SIDE PANEL)	1		
12	(*****)	SUPPORT (PANEL)	1		
13	(*****)	NAME PLATE ASSY	1		
14	(*****)	NAME PLATE ASSY (BOOM & CONTROL UNIT PANEL)	1		

www.AutoEPC.com

TM-ZE300 41044507044A FRAME/HOOK-IN(AWL)
 PP5060002-00 PARTS ASSY,AWL (5 SECT. WITHOUT BOOM INTERLOCK)

指示番号 KEY NO.	パーツASSY,AWL (5セクションフレームインターロックなし) PARTS ASSY,AWL (5 SECT. WITHOUT BOOM INTERLOCK)
1	ハイセンASSY (フレームフ / アンセ ンソウチ) ELEC.ASSY (FRAME/SAFETY DEVICES)
2	ハイセンASSY (フレームフ スイッチ) ELEC.ASSY (FRAME SWITCH)
3	ハイセンASSY (O/Rアツリヨクケンシュツキカラコネクタヨウフ ラグ) ELEC.ASSY (PLUG FOR O/R PRES.DETECTOR)
4	ハイセンASSY (ホ ストフ / テ テクタASSY, モーメント) ELEC.ASSY (POST/DETECTOR ASSY, MOMENT)
5	ハイセンASSY (ホ ストフ / リレーホ ックス) ELEC.ASSY (POST/RELAY BOX)
6	ハイセンASSY (キフクカクノウケンシュツSW) ELEC.ASSY (BOOM ELEVATING STOWING SW)
7	ハイセンASSY (フ ームフ / テ イテクタASSY) ELEC.ASSY (BOOM/DETECTOR ASSY)
8	ハイセンASSY (ナカ サケンシュツキコード ハイサウ) ELEC.ASSY (DETECTOR ASSY, LENGTH CORD)
9	ハイセンASSY (ランプ フ) ELEC.ASSY (LAMP)
11	ランプ LAMP
12	サホ ート SUPPORT
13	ネームフ レートASSY (ランプ サキ ヨウカイシマエテンケン) NAME PLATE ASSY
14	ネームフ レートASSY (フ ーム&コントロールユニットハ ネルフ) NAME PLATE ASSY (BOOM & CONTROL UNIT)

TM-ZE300 41044507044A FRAME/HOOK-IN(AWL)

Pos No.	Parts No	Parts Name	Qty	Unit	Technical
1	(*****)	ELEC.ASSY (FRAME/SAFETY DEVICES)	1		
2	(*****)	ELEC.ASSY (FRAME SWITCH)	1		
3	(*****)	ELEC.ASSY (PLUG FOR O/R PRES.DETECTOR)	1		
4	(*****)	ELEC.ASSY (POST/DETECTOR ASSY,MOMENT)	1		
5	(*****)	ELEC.ASSY (POST/RELAY BOX)	1		
6	(*****)	ELEC.ASSY (BOOM ELEVATING STOWING SW)	1		
7	(*****)	ELEC.ASSY (BOOM/DETECTOR ASSY)	1		
8	(*****)	ELEC.ASSY (DETECTOR ASSY,LENGTH CORD)	1		
9	(*****)	ELEC.ASSY (LAMP)	1		
11	(*****)	LAMP (O/R ALARM:RIGHT SIDE PANEL)	1		
12	(*****)	SUPPORT (PANEL)	1		
13	(*****)	NAME PLATE ASSY	1		
14	(*****)	NAME PLATE ASSY (BOOM & CONTROL UNIT PANEL)	1		

www.AutoEPC.com

TM-ZE300 41044507044A FRAME/HOOK-IN(AWL)
 PP5060003-00 PARTS ASSY,AWL (6 SECT. WITHOUT BOOM INTERLOCK)

指示番号 KEY NO.	パーツASSY,AWL (6セクションフレームインターロックなし) PARTS ASSY,AWL (6 SECT. WITHOUT BOOM INTERLOCK)
1	ハイセンASSY (フレームフ / アンセ ンソウチ) ELEC.ASSY (FRAME/SAFETY DEVICES)
2	ハイセンASSY (フレームフ スイッチ) ELEC.ASSY (FRAME SWITCH)
3	ハイセンASSY (O/Rアツリヨクケンシュツキカラコネクタヨウフ ラグ) ELEC.ASSY (PLUG FOR O/R PRES.DETECTOR)
4	ハイセンASSY (ホ ストフ / テ テクタASSY, モーメント) ELEC.ASSY (POST/DETECTOR ASSY, MOMENT)
5	ハイセンASSY (ホ ストフ / リレーホ ックス) ELEC.ASSY (POST/RELAY BOX)
6	ハイセンASSY (キフクカクノウケンシュツSW) ELEC.ASSY (BOOM ELEVATING STOWING SW)
7	ハイセンASSY (フ ームフ / テ イテクタASSY) ELEC.ASSY (BOOM/DETECTOR ASSY)
8	ハイセンASSY (ナカ サケンシュツキコード ハイサウ) ELEC.ASSY (DETECTOR ASSY, LENGTH CORD)
9	ハイセンASSY (ランプ フ) ELEC.ASSY (LAMP)
11	ランプ LAMP
12	サホ ート SUPPORT
13	ネームフ レートASSY (ランプ サキ ヨウカイシマエテンケン) NAME PLATE ASSY
14	ネームフ レートASSY (フ ーム&コントロールユニットハ ネルフ) NAME PLATE ASSY (BOOM & CONTROL UNIT)

TM-ZE300 41044507044A FRAME/HOOK-IN(AWL)

Pos No.	Parts No	Parts Name	Qty	Unit	Technical
1	(*****)	ELEC.ASSY (FRAME/SAFETY DEVICES)	1		
2	(*****)	ELEC.ASSY (FRAME SWITCH)	1		
3	(*****)	ELEC.ASSY (PLUG FOR O/R PRES.DETECTOR)	1		
4	(*****)	ELEC.ASSY (POST/DETECTOR ASSY,MOMENT)	1		
5	(*****)	ELEC.ASSY (POST/RELAY BOX)	1		
6	(*****)	ELEC.ASSY (BOOM ELEVATING STOWING SW)	1		
7	(*****)	ELEC.ASSY (BOOM/DETECTOR ASSY)	1		
8	(*****)	ELEC.ASSY (DETECTOR ASSY,LENGTH CORD)	1		
9	(*****)	ELEC.ASSY (LAMP)	1		
11	(*****)	LAMP (O/R ALARM:RIGHT SIDE PANEL)	1		
12	(*****)	SUPPORT (PANEL)	1		
13	(*****)	NAME PLATE ASSY	1		
14	(*****)	NAME PLATE ASSY (BOOM & CONTROL UNIT PANEL)	1		

www.AutoEPC.com

TM-ZE300 41044507044A FRAME/HOOK-IN(AWL)
 PP5060004-00 PARTS ASSY,AWL (3,4 SECT. WITH BOOM INTERLOCK)

指示番号 KEY NO.	パーツASSY,AWL (3,4セクション フームインターロックつき) PARTS ASSY,AWL (3,4 SECT. WITH BOOM INTERLOCK)
1	ハイセンASSY (フレームフ / アンセ ンソウチ) ELEC.ASSY (FRAME/SAFETY DEVICES)
2	ハイセンASSY (フレームフ スイッチ) ELEC.ASSY (FRAME SWITCH)
3	ハイセンASSY (フレームフ / リレーホ ックス) ELEC.ASSY (FRAME/RELAY BOX)
4	ハイセンASSY (O/Rアツリヨクケンシユツキカラコネクタヨウフ ラク) ELEC.ASSY (PLUG FOR O/R PRES.DETECTOR)
5	ハイセンASSY (ホ ストフ / テ テクタASSY, モーメント) ELEC.ASSY (POST/DETECTOR ASSY, MOMENT)
6	ハイセンASSY (ホ ストフ / リレーホ ックス) ELEC.ASSY (POST/RELAY BOX)
7	ハイセンASSY (フ ームフ / テ イテクタASSY) ELEC.ASSY (BOOM/DETECTOR ASSY)
8	ハイセンASSY (ナカ サケンシユツキコード ハイサウ) ELEC.ASSY (DETECTOR ASSY, LENGTH CORD)
9	ハイセンASSY (ランプ フ) ELEC.ASSY (LAMP)
11	ランプ LAMP
12	サホ ート SUPPORT
13	ネームフ レートASSY (ランプ サキ ヨウカイシマエテンケン) NAME PLATE ASSY
14	ネームフ レートASSY (フ ーム&コントロールユニットハ ネルフ) NAME PLATE ASSY (BOOM & CONTROL UNIT)

TM-ZE300 41044507044A FRAME/HOOK-IN(AWL)

Pos No.	Parts No	Parts Name	Qty	Unit	Technical
1	(*****)	ELEC.ASSY (FRAME/SAFETY DEVICES)	1		
2	(*****)	ELEC.ASSY (FRAME SWITCH)	1		
3	(*****)	ELEC.ASSY (FRAME/RELAY BOX)	1		
4	(*****)	ELEC.ASSY (PLUG FOR O/R PRES.DETECTOR)	1		
5	(*****)	ELEC.ASSY (POST/DETECTOR ASSY,MOMENT)	1		
6	(*****)	ELEC.ASSY (POST/RELAY BOX)	1		
7	(*****)	ELEC.ASSY (BOOM/DETECTOR ASSY)	1		
8	(*****)	ELEC.ASSY (DETECTOR ASSY,LENGTH CORD)	1		
9	(*****)	ELEC.ASSY (LAMP)	1		
11	(*****)	LAMP (O/R ALARM:RIGHT SIDE PANEL)	1		
12	(*****)	SUPPORT (PANEL)	1		
13	(*****)	NAME PLATE ASSY	1		
14	(*****)	NAME PLATE ASSY (BOOM & CONTROL UNIT PANEL)	1		

www.AutoEPC.com

TM-ZE300 41044507044A FRAME/HOOK-IN(AWL)
 PP5060005-00 PARTS ASSY,AWL (5 SECT. WITH BOOM INTERLOCK)

指示番号 KEY NO.	パーツASSY,AWL (5セクションフレームインターロックツキ) PARTS ASSY,AWL (5 SECT. WITH BOOM INTERLOCK)
1	ハイセンASSY (フレームフ / アンセ ンソウチ) ELEC.ASSY (FRAME/SAFETY DEVICES)
2	ハイセンASSY (フレームフ スイッチ) ELEC.ASSY (FRAME SWITCH)
3	ハイセンASSY (フレームフ / リレーホ ックス) ELEC.ASSY (FRAME/RELAY BOX)
4	ハイセンASSY (O/Rアツリヨクケンシユツキカラコネクタヨウフ ラク) ELEC.ASSY (PLUG FOR O/R PRES.DETECTOR)
5	ハイセンASSY (ホ ストフ / テ テクタASSY, モーメント) ELEC.ASSY (POST/DETECTOR ASSY, MOMENT)
6	ハイセンASSY (ホ ストフ / リレーホ ックス) ELEC.ASSY (POST/RELAY BOX)
7	ハイセンASSY (フ ームフ / テ イテクタASSY) ELEC.ASSY (BOOM/DETECTOR ASSY)
8	ハイセンASSY (ナカ サケンシユツキコード ハイサウ) ELEC.ASSY (DETECTOR ASSY, LENGTH CORD)
9	ハイセンASSY (ランプ フ) ELEC.ASSY (LAMP)
11	ランプ LAMP
12	サホ ート SUPPORT
13	ネームフ レートASSY (ランプ サキ ヨウカイシマエテンケン) NAME PLATE ASSY
14	ネームフ レートASSY (フ ーム&コントロールユニットハ ネルフ) NAME PLATE ASSY (BOOM & CONTROL UNIT)

TM-ZE300 41044507044A FRAME/HOOK-IN(AWL)

Pos No.	Parts No	Parts Name	Qty	Unit	Technical
1	(*****)	ELEC.ASSY (FRAME/SAFETY DEVICES)	1		
2	(*****)	ELEC.ASSY (FRAME SWITCH)	1		
3	(*****)	ELEC.ASSY (FRAME/RELAY BOX)	1		
4	(*****)	ELEC.ASSY (PLUG FOR O/R PRES.DETECTOR)	1		
5	(*****)	ELEC.ASSY (POST/DETECTOR ASSY,MOMENT)	1		
6	(*****)	ELEC.ASSY (POST/RELAY BOX)	1		
7	(*****)	ELEC.ASSY (BOOM/DETECTOR ASSY)	1		
8	(*****)	ELEC.ASSY (DETECTOR ASSY,LENGTH CORD)	1		
9	(*****)	ELEC.ASSY (LAMP)	1		
11	(*****)	LAMP (O/R ALARM:RIGHT SIDE PANEL)	1		
12	(*****)	SUPPORT (PANEL)	1		
13	(*****)	NAME PLATE ASSY	1		
14	(*****)	NAME PLATE ASSY (BOOM & CONTROL UNIT PANEL)	1		

www.AutoEPC.com

TM-ZE300 41044507044A FRAME/HOOK-IN(AWL)
 PP5060006-00 PARTS ASSY,AWL (6 SECT. WITH BOOM INTERLOCK)

指示番号 KEY NO.	パーツASSY,AWL (6セクションフレームインターロック付き) PARTS ASSY,AWL (6 SECT. WITH BOOM INTERLOCK)
1	ハイセンASSY (フレームフ / アンセ ンソウチ) ELEC.ASSY (FRAME/SAFETY DEVICES)
2	ハイセンASSY (フレームフ スイッチ) ELEC.ASSY (FRAME SWITCH)
3	ハイセンASSY (フレームフ / リレーホ ックス) ELEC.ASSY (FRAME/RELAY BOX)
4	ハイセンASSY (O/Rアツリヨクケンシユツキカラコネクタヨウフ ラク) ELEC.ASSY (PLUG FOR O/R PRES.DETECTOR)
5	ハイセンASSY (ホ ストフ / テ テクタASSY, モーメント) ELEC.ASSY (POST/DETECTOR ASSY, MOMENT)
6	ハイセンASSY (ホ ストフ / リレーホ ックス) ELEC.ASSY (POST/RELAY BOX)
7	ハイセンASSY (フ ームフ / テ イテクタASSY) ELEC.ASSY (BOOM/DETECTOR ASSY)
8	ハイセンASSY (ナカ サケンシユツキコード ハイサウ) ELEC.ASSY (DETECTOR ASSY, LENGTH CORD)
9	ハイセンASSY (ランプ フ) ELEC.ASSY (LAMP)
11	ランプ LAMP
12	サホ ート SUPPORT
13	ネームフ レートASSY (ランプ サキ ヨウカイシマエテンケン) NAME PLATE ASSY
14	ネームフ レートASSY (フ ーム&コントロールユニットハ ネルフ) NAME PLATE ASSY (BOOM & CONTROL UNIT)

TM-ZE300 41044507044A FRAME/HOOK-IN(AWL)

Pos No.	Parts No	Parts Name	Qty	Unit	Technical
1	(*****)	ELEC.ASSY (FRAME/SAFETY DEVICES)	1		
2	(*****)	ELEC.ASSY (FRAME SWITCH)	1		
3	(*****)	ELEC.ASSY (FRAME/RELAY BOX)	1		
4	(*****)	ELEC.ASSY (PLUG FOR O/R PRES.DETECTOR)	1		
5	(*****)	ELEC.ASSY (POST/DETECTOR ASSY,MOMENT)	1		
6	(*****)	ELEC.ASSY (POST/RELAY BOX)	1		
7	(*****)	ELEC.ASSY (BOOM/DETECTOR ASSY)	1		
8	(*****)	ELEC.ASSY (DETECTOR ASSY,LENGTH CORD)	1		
9	(*****)	ELEC.ASSY (LAMP)	1		
11	(*****)	LAMP (O/R ALARM:RIGHT SIDE PANEL)	1		
12	(*****)	SUPPORT (PANEL)	1		
13	(*****)	NAME PLATE ASSY	1		
14	(*****)	NAME PLATE ASSY (BOOM & CONTROL UNIT PANEL)	1		

www.AutoEPC.com

TM-ZE300 41044507044A FRAME/HOOK-IN(AWL)
PP5070010-00 PARTS ASSY,BML (SAFETY DEVICES)

指示番号 KEY NO.	パーツASSY,BML (アンゼンソウチ) PARTS ASSY,BML (SAFETY DEVICES)
1	ハイセンASSY (フレームフ /アンゼンソウチ) ELEC.ASSY (FRAME/SAFETY DEVICES)
2	ランプ LAMP
3	ハイセンASSY (ホストフ /アンゼンソウチ) ELEC.ASSY (POST/SAFETY DEVICES)
4	ハイセンASSY (O/Rアツリヨクケンシュツキカラコネクタヨウフ ラク) ELEC.ASSY (PLUG FOR O/R PRES.DETECTOR)
7	サポート SUPPORT

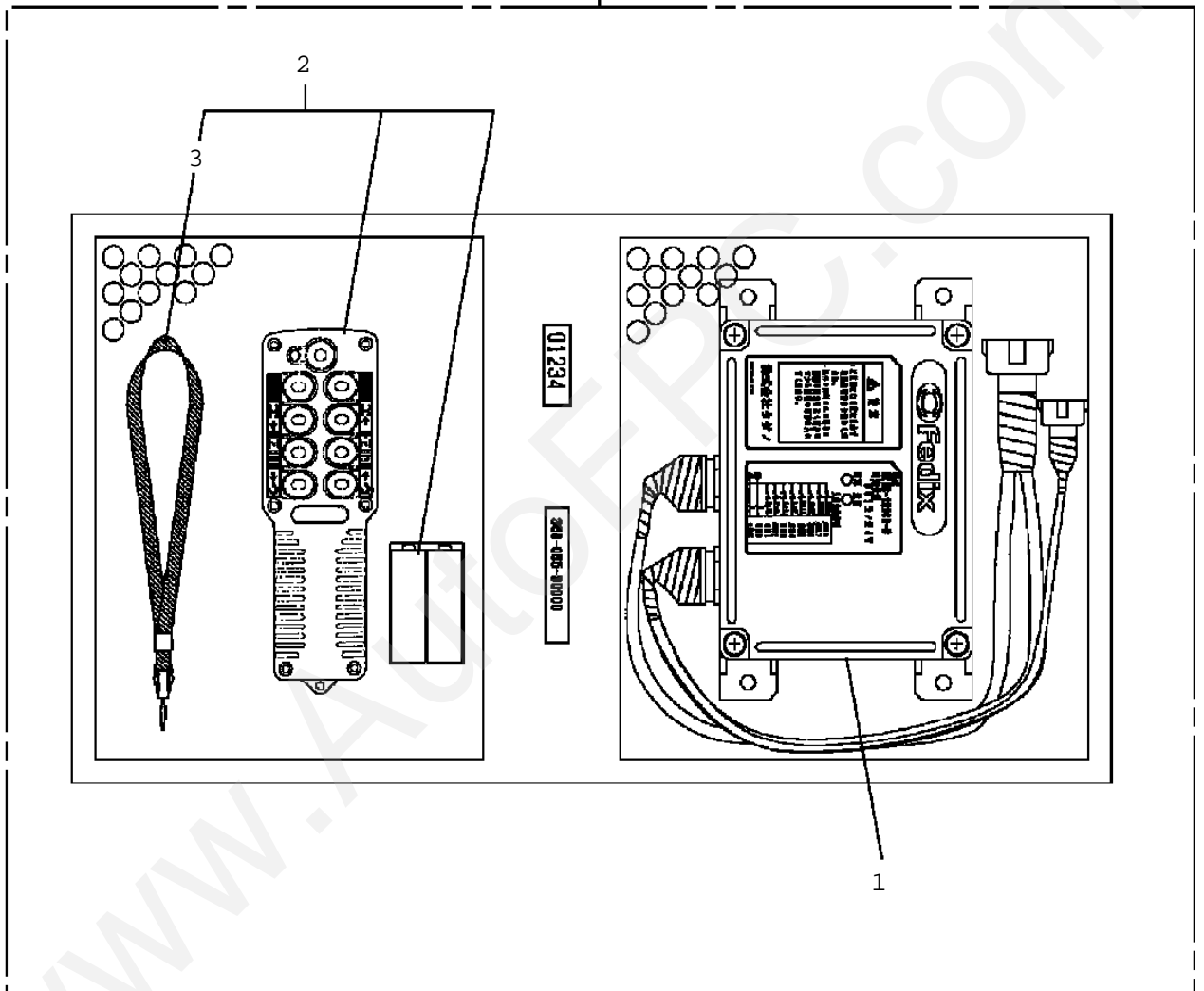
TM-ZE300 41044507044A FRAME/HOOK-IN(AWL)

Pos No.	Parts No	Parts Name	Qty	Unit	Technical Data
1	(*****)	ELEC.ASSY (FRAME/SAFETY DEVICES)	1		
2	(*****)	LAMP (O/R ALARM:RIGHT SIDE PANEL)	2		
3	(*****)	ELEC.ASSY (POST/SAFETY DEVICES)	1		
4	(*****)	ELEC.ASSY (PLUG FOR O/R PRES.DETECTOR)	1		
7	(*****)	SUPPORT (PANEL)	1		

www.AutoEPC.com

TM-ZE300 41044507044A FRAME/HOOK-IN(AWL)
PP5150012-00 PARTS ASSY,RADIO CONTROLLER (8CH)

100

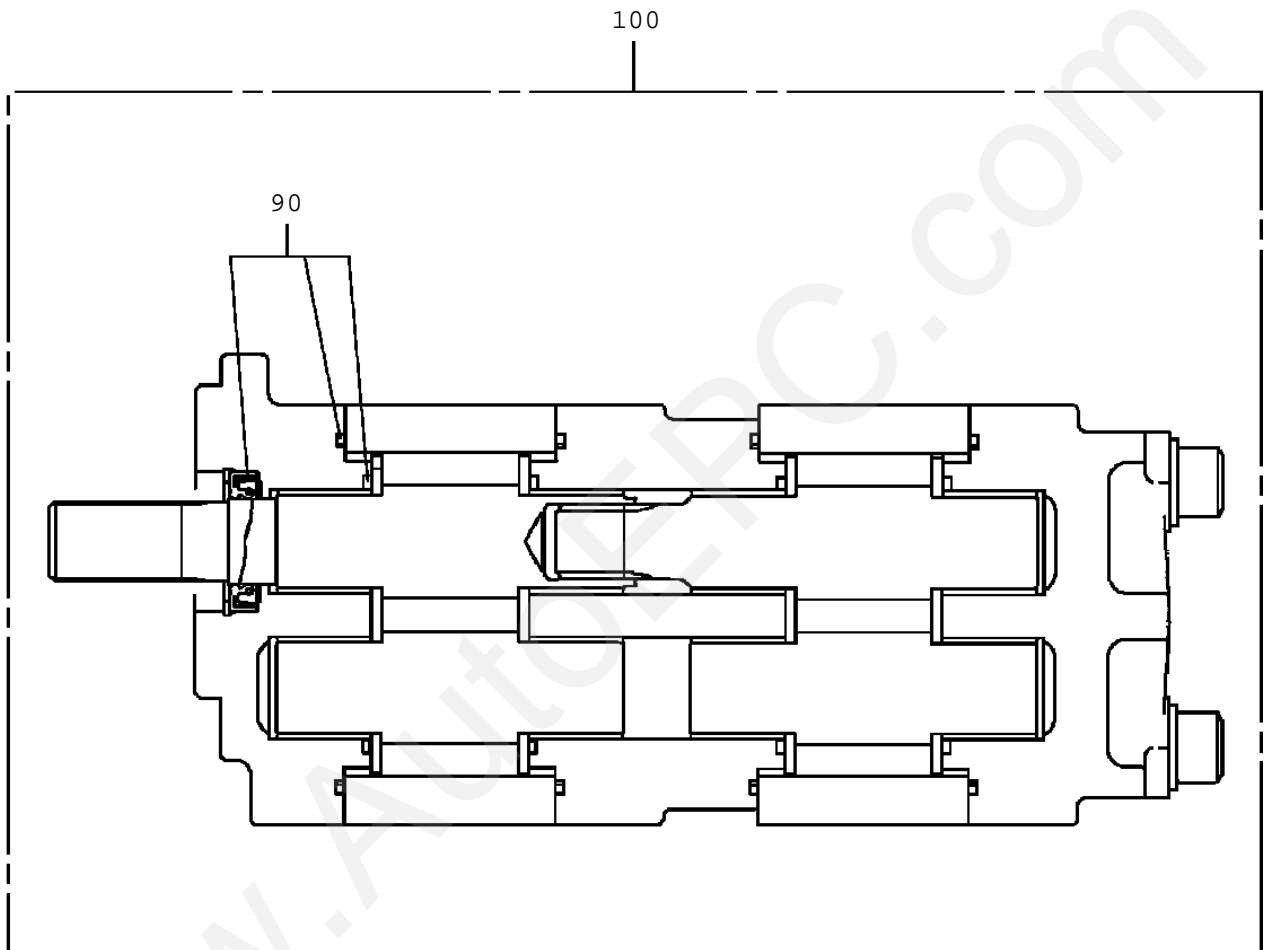


TM-ZE300 41044507044A FRAME/HOOK-IN(AWL)

Pos No.	Parts No	Parts Name	Qty	Unit	Technical Data	Serial
1	36806525010	CONTROL UNIT	1			
2	36806535010	BOX, OPERATION	1			
3	36804995010	STRAP	1			
100	36806530000	PARTS ASSY,RADIO CONTROLLER (8CH)	1			

www.AutoEPC.com

TM-ZE300 41044507044A FRAME/HOOK-IN(AWL)
PP5420003-01 PUMP ASSY,OIL (2-BLOCK)

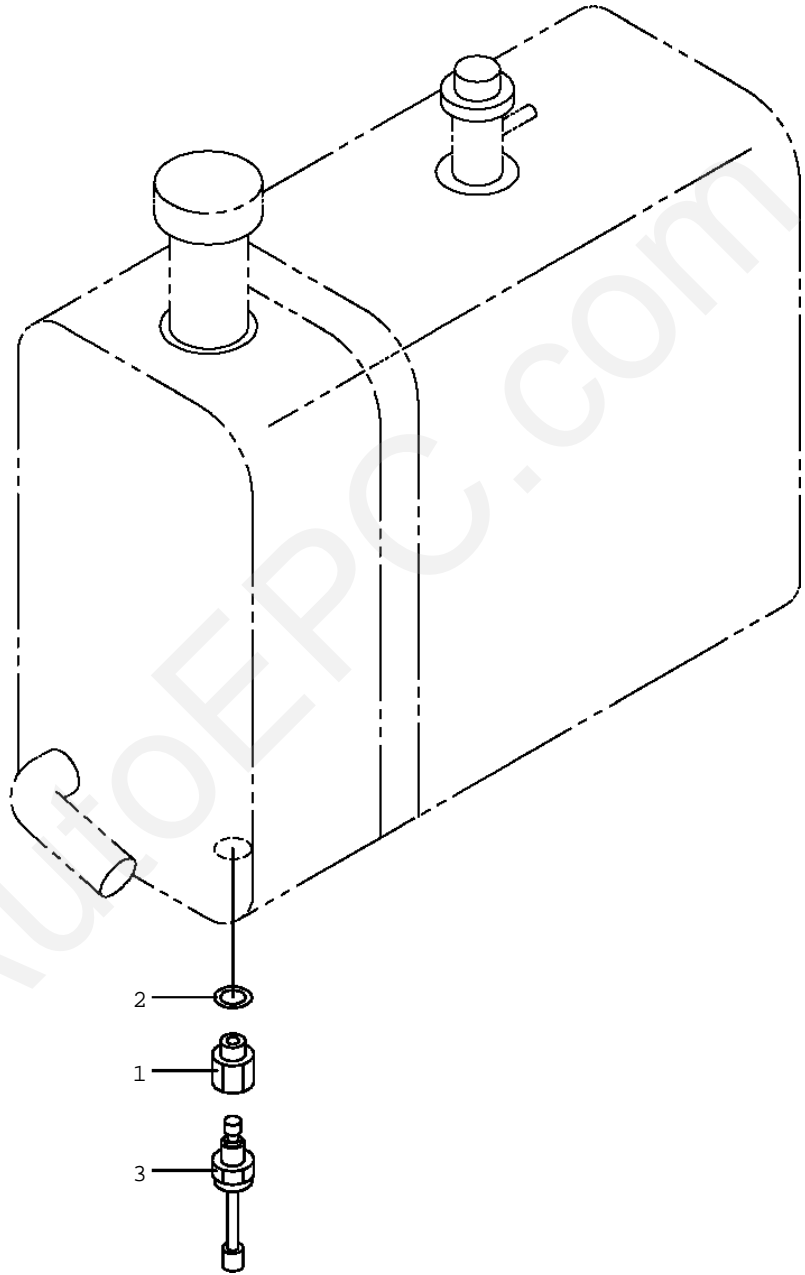


TM-ZE300 41044507044A FRAME/HOOK-IN(AWL)

Pos No.	Parts No	Parts Name	Qty	Unit	Technical Data	Serial No (Star
90	36652965030	SEAL KIT	1			
100	36654640000	PUMP ASSY,OIL (2-BLOCK)	1			

www.AutoEPC.com

TM-ZE300 41044507044A FRAME/HOOK-IN(AWL)
PP6010052-00 PIPING ASSY

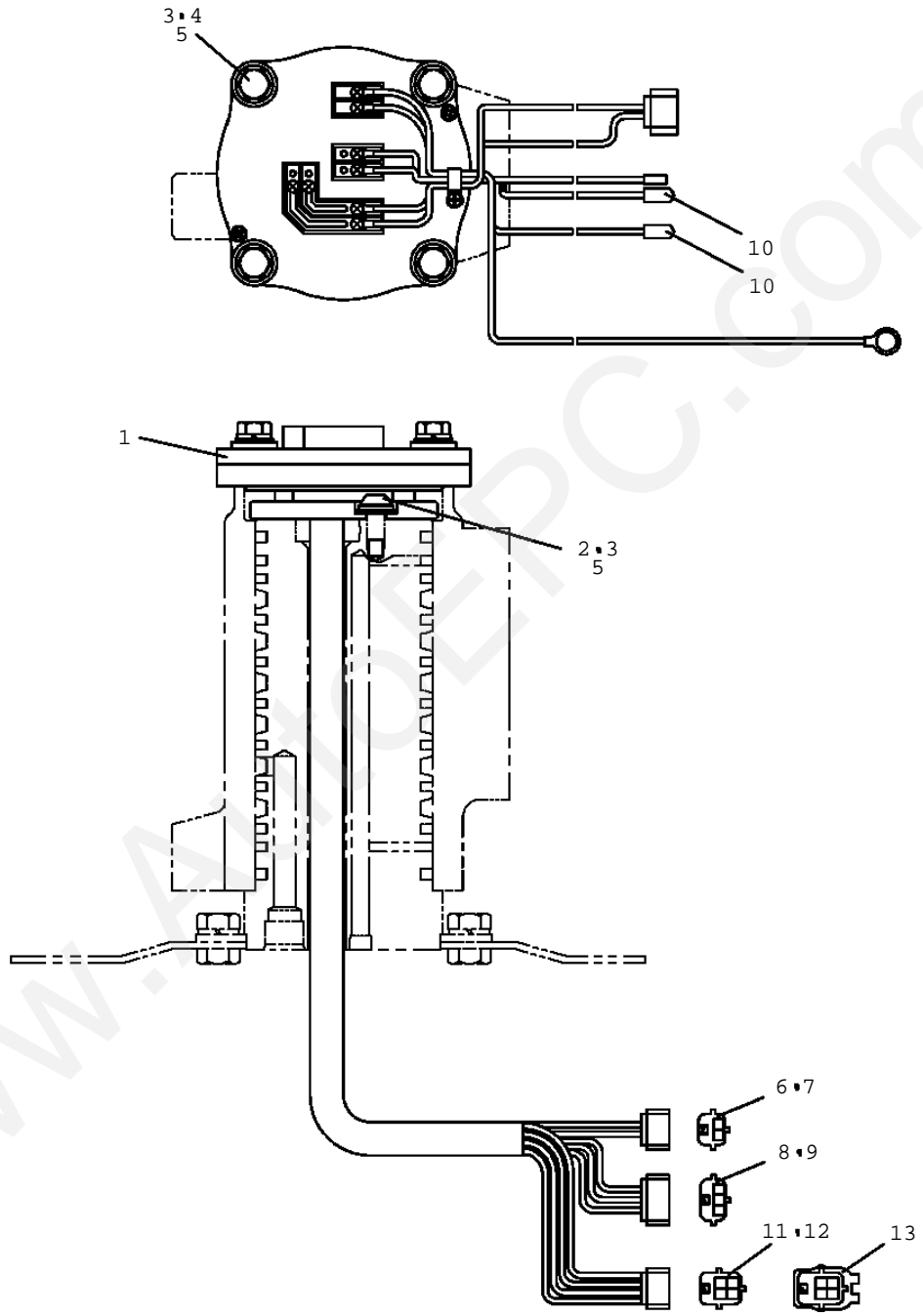


TM-ZE300 41044507044A FRAME/HOOK-IN(AWL)

Pos No.	Parts No	Parts Name	Qty	Unit	Technical Data	Serial No (Start)
1	31501911100	JOINT	1			
2	90303392001	WASHER	1		M20	
3	42643051000	SWITCH ASSY (THERMO)	1			

www.AutoEPC.com

TM-ZE300 41044507044A FRAME/HOOK-IN(AWL)
PR5130003-00 RING ASSY,SLIP (CJ NUMBER OF THE ELECTRODES KI



TM-ZE300 41044507044A FRAME/HOOK-IN(AWL)

Pos No.	Parts No	Parts Name	Qty	Unit	Technical Data	Serial No (Start)
1	31631802000	RING,SLIP	1			
2	90180208016	BOLT,BUTTON	2		M8X16	
3	90302040801	WASHER,SPRING	6		8	
4	90102208035	BOLT	4		M8X35	
5	90303070801	WASHER,PLAIN	6		8	
6	82114203020	CONNECTOR (CAP)	1			
7	82121502020	PLATE	1			
8	82114203030	CONNECTOR (CAP)	1			
9	82121502030	PLATE	1			
10	82100002855	CAP	2			
11	82114203040	CONNECTOR (CAP)	1			
12	82121502040	PLATE	1			
13	31652991700	PLUG (4-POLES,FEMALE)	1			

www.AutoEPC.com

TM-ZE300 41044507044A FRAME/HOOK-IN(AWL)
PV1000075-02 REMOTE CONTROL SYSTEM

リモート コントロール システム
REMOTE CONTROL SYSTEM

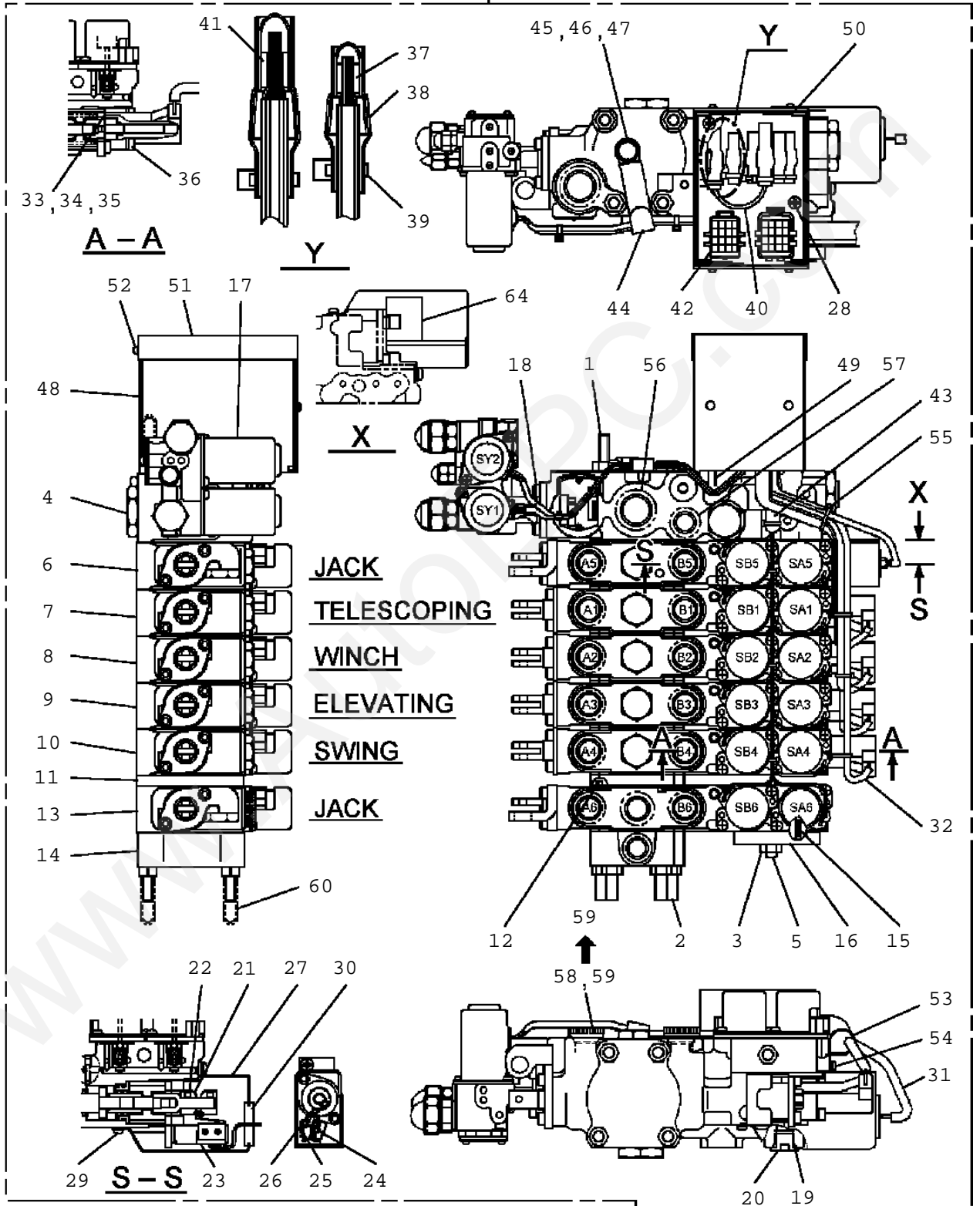
【組立名称一覧】より選択してください。
SEE THE CORRESPONDING "ASSEMBLY NAME" LIST.

TM-ZE300 41044507044A FRAME/HOOK-IN(AWL)

Pos No.	Parts No	Parts Name	Qty	Unit	Technical Data	Serial N
1	(*****)	RADIO CONTROL (RADICON-LESS)	1			

www.AutoEPC.com

500

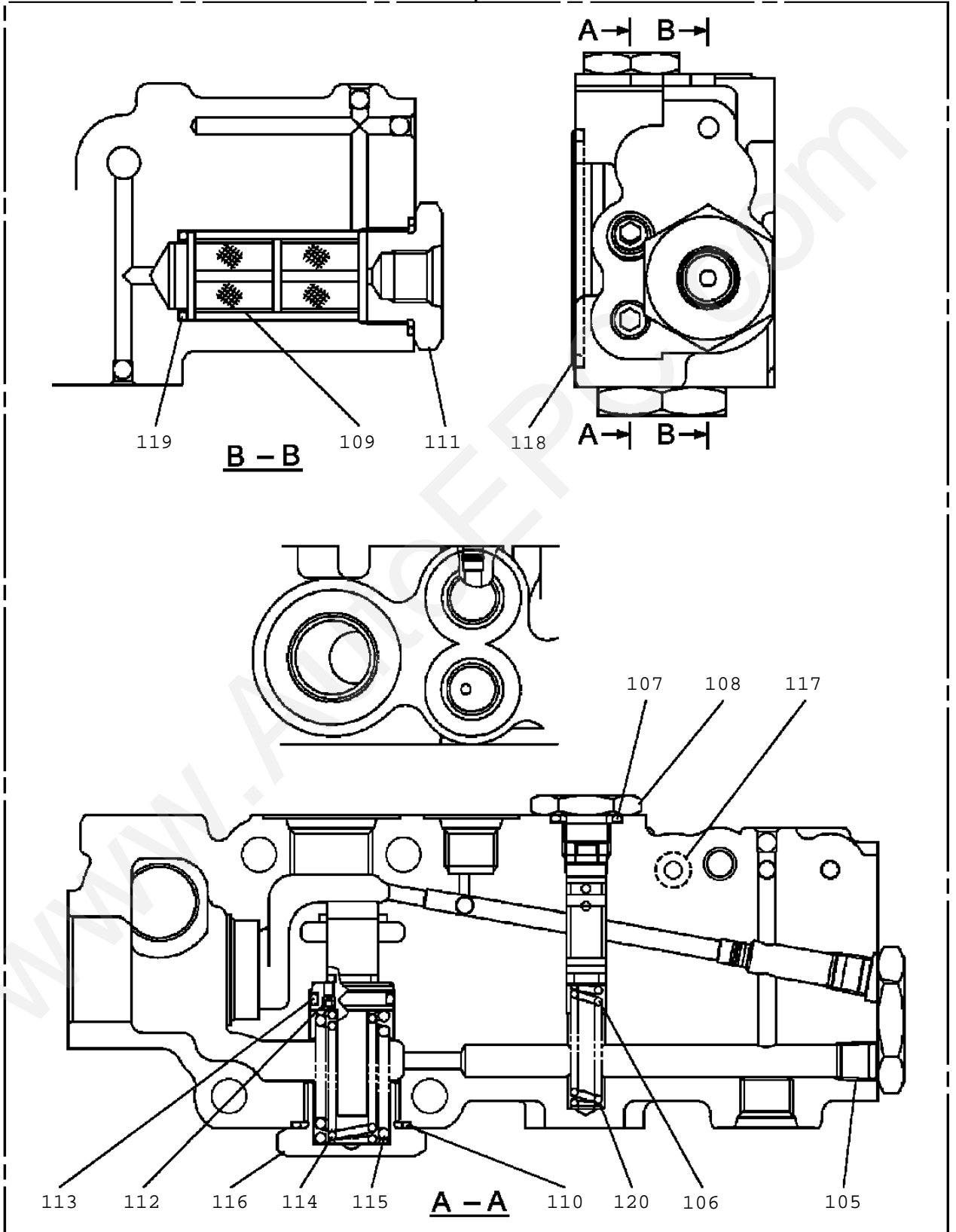


展開圖有

ILLUSTRATED BREAKDOWN NO.4,6,7,8,9,10,13,17,

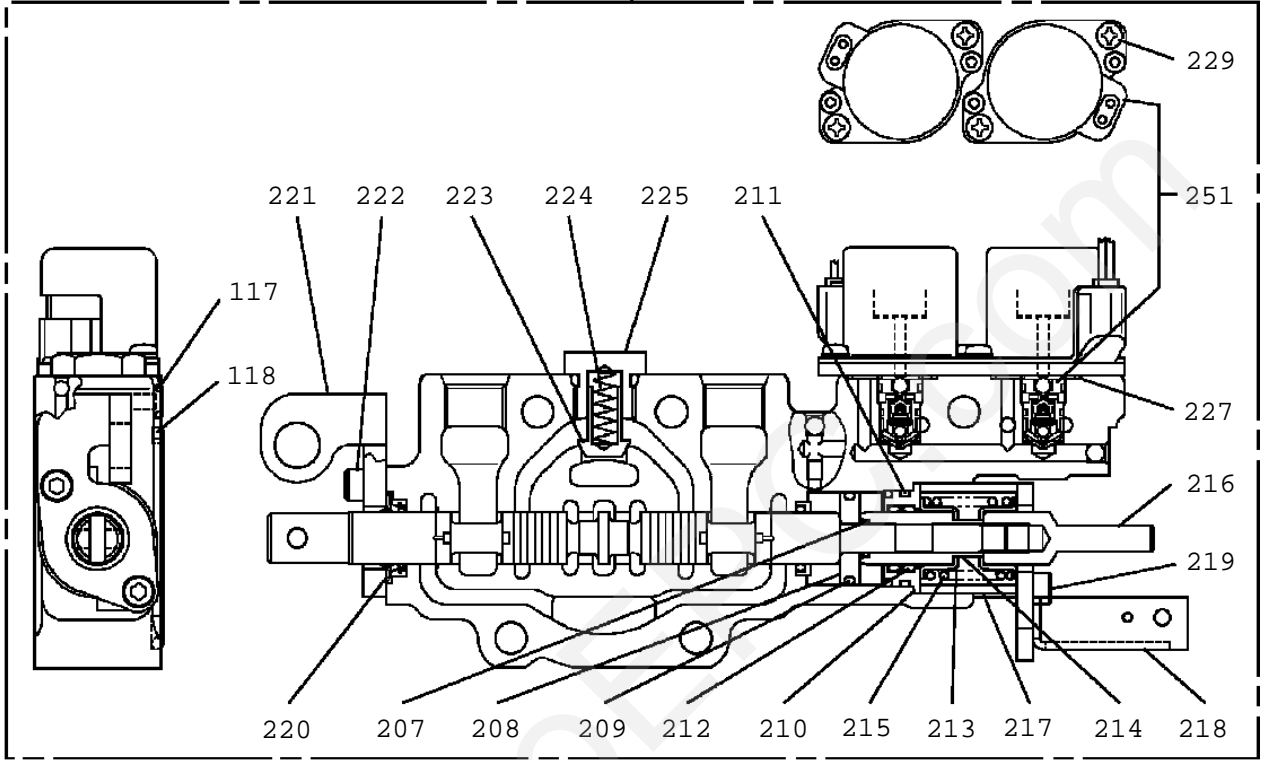
TM-ZE300 41044507044A FRAME/HOOK-IN(AWL)
PV1020359-01 VALVE,REMOTE CONTROL (MAIN)

4

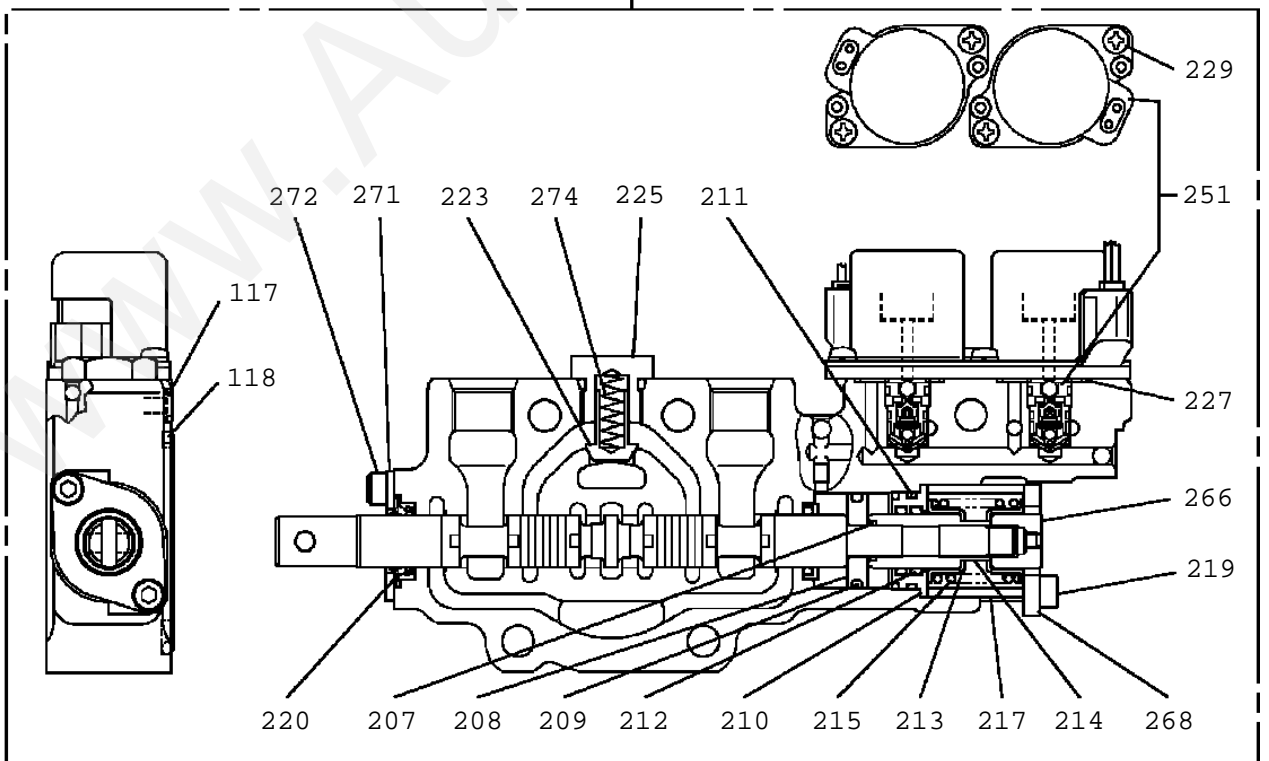


TM-ZE300 41044507044A FRAME/HOOK-IN(AWL)
PV1020359-01 VALVE,REMOTE CONTROL (MAIN)

6

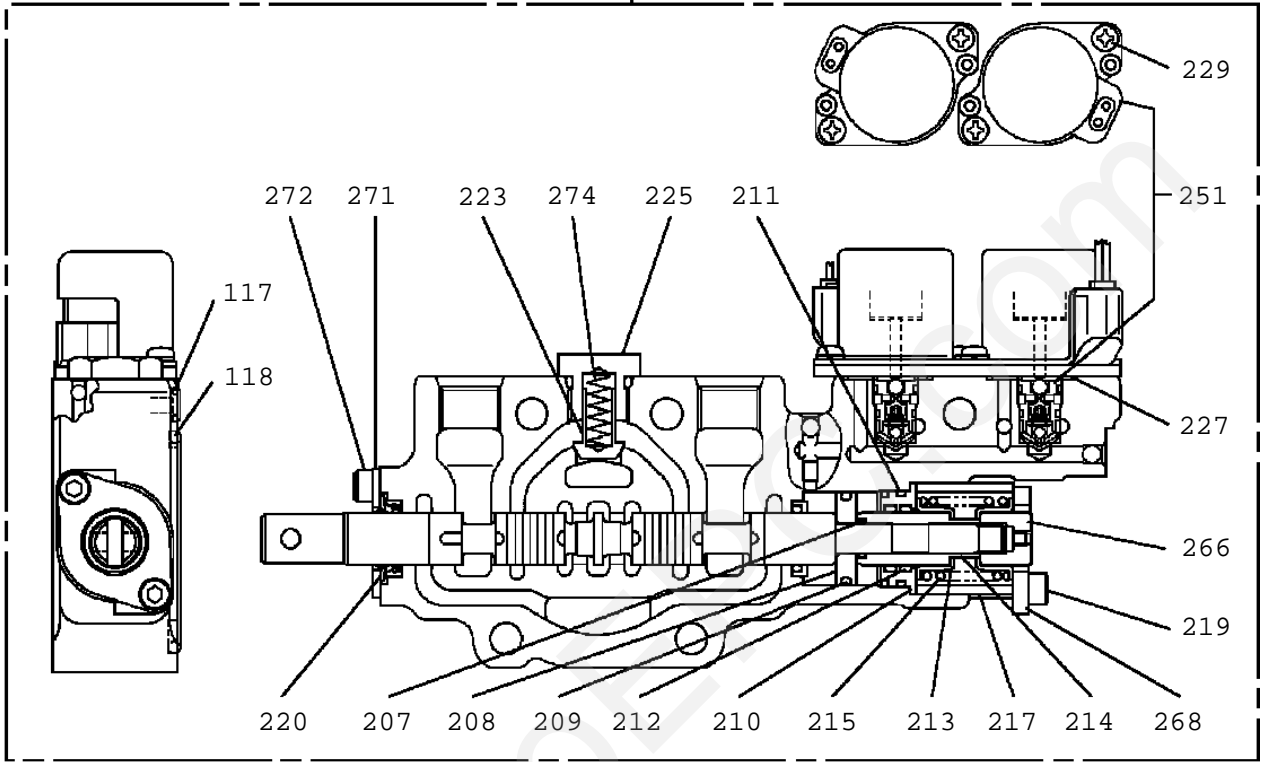


7

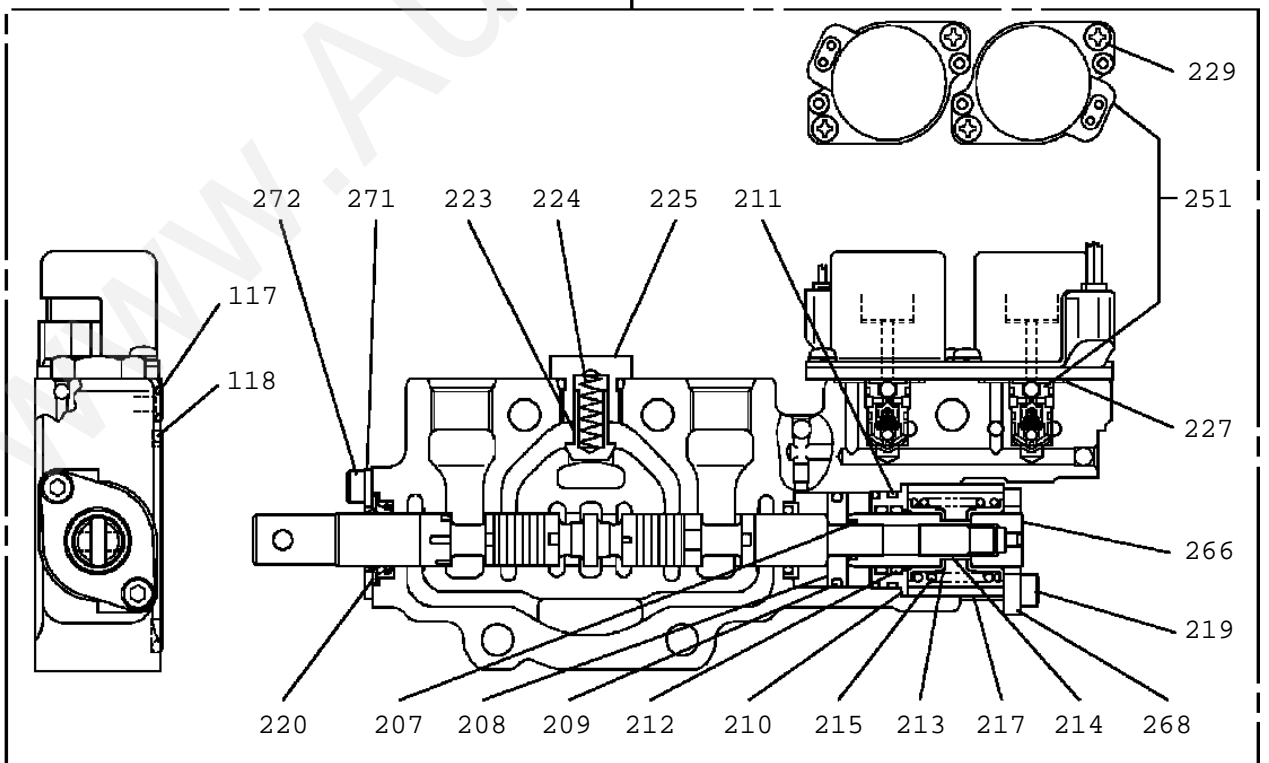


TM-ZE300 41044507044A FRAME/HOOK-IN(AWL)
PV1020359-01 VALVE,REMOTE CONTROL (MAIN)

8

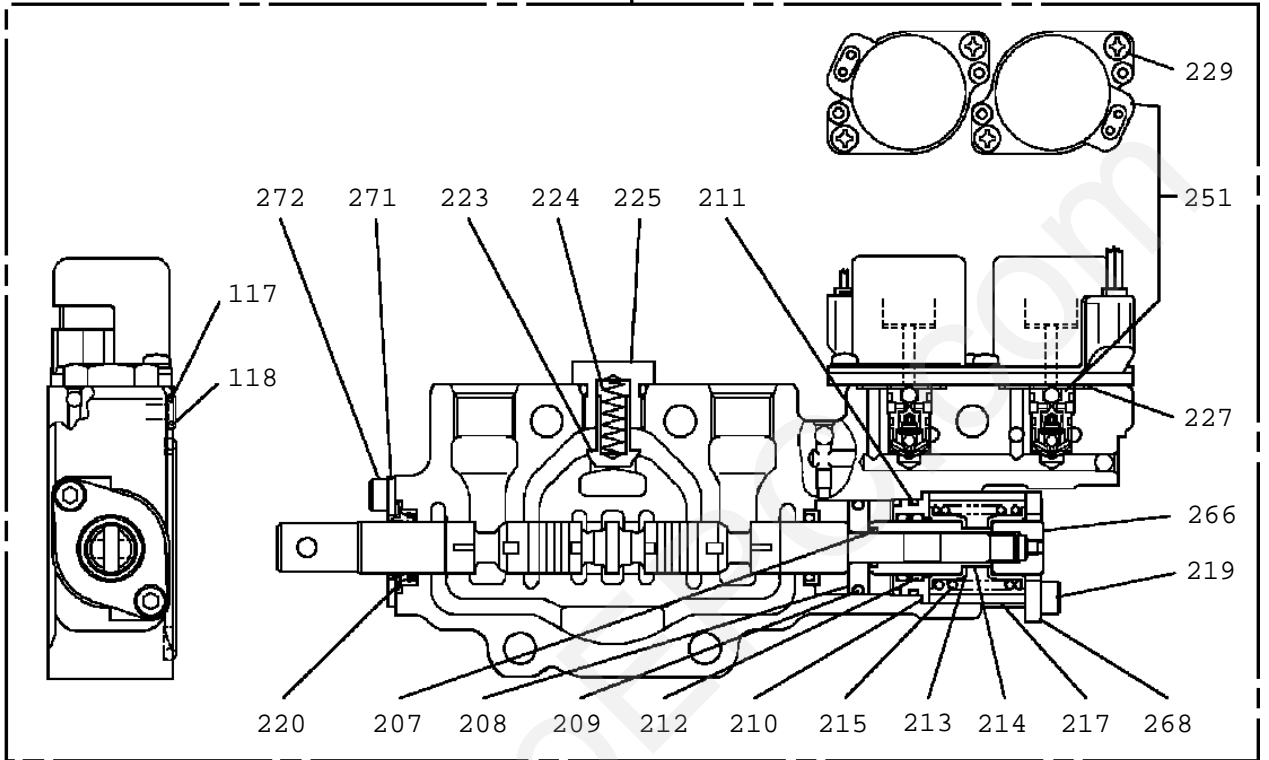


9

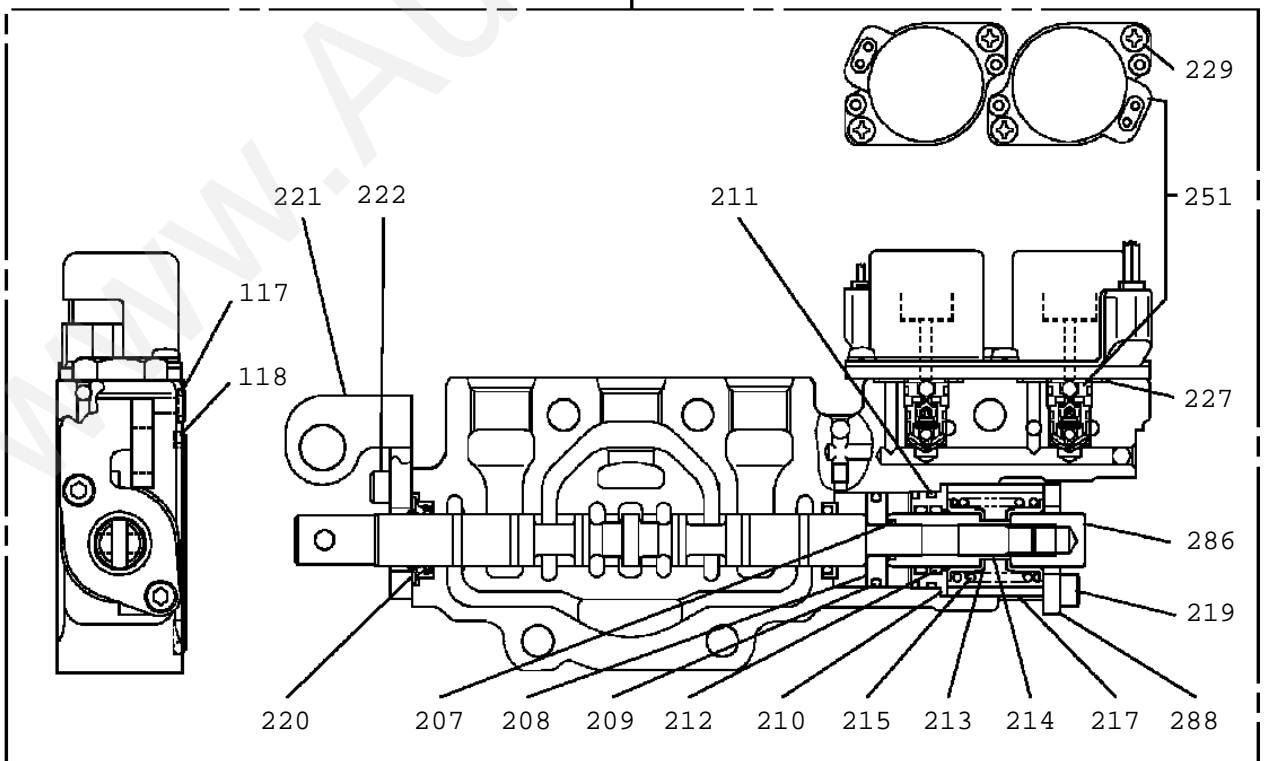


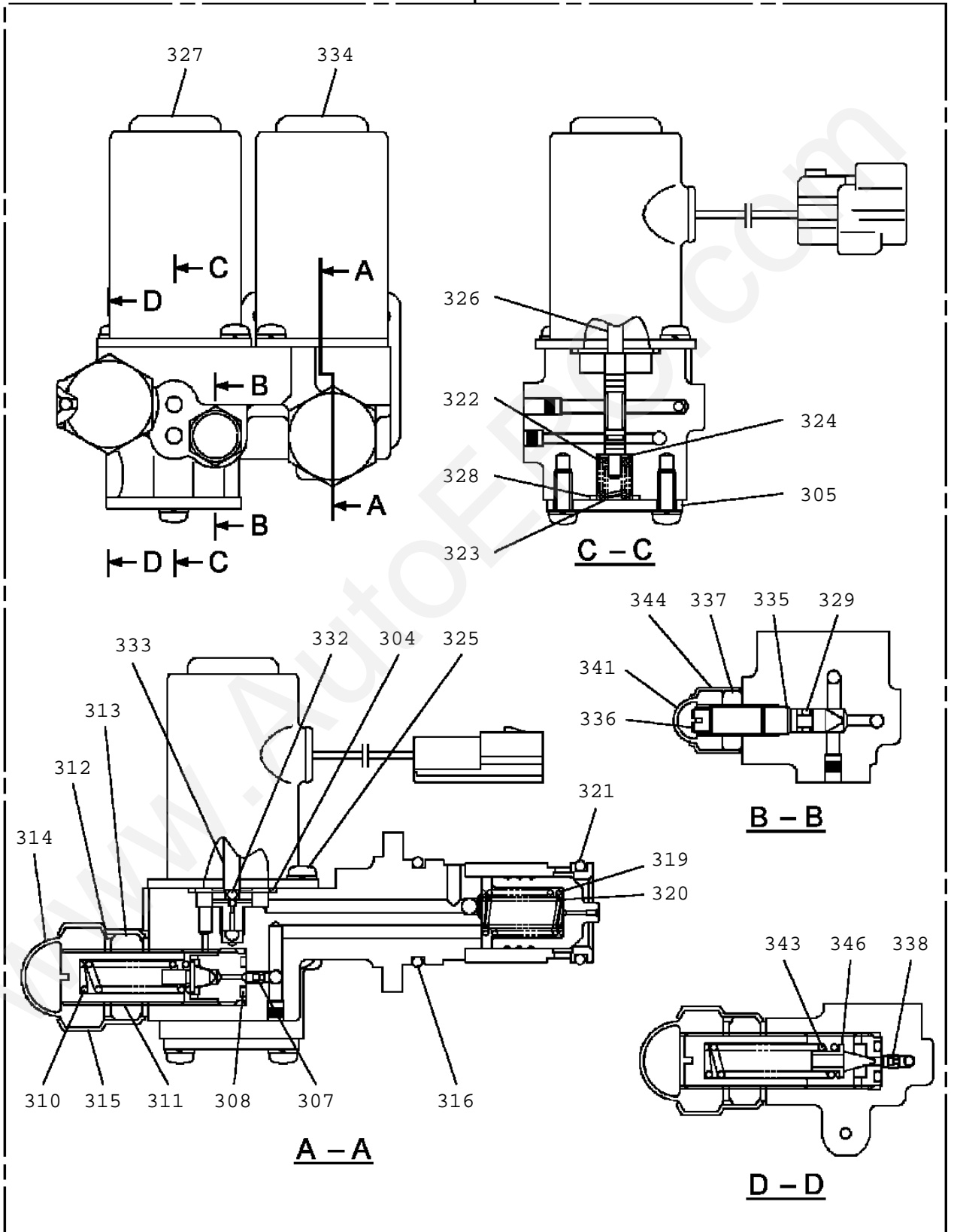
TM-ZE300 41044507044A FRAME/HOOK-IN(AWL)
PV1020359-01 VALVE,REMOTE CONTROL (MAIN)

10



13





TM-ZE300 41044507044A FRAME/HOOK-IN(AWL)

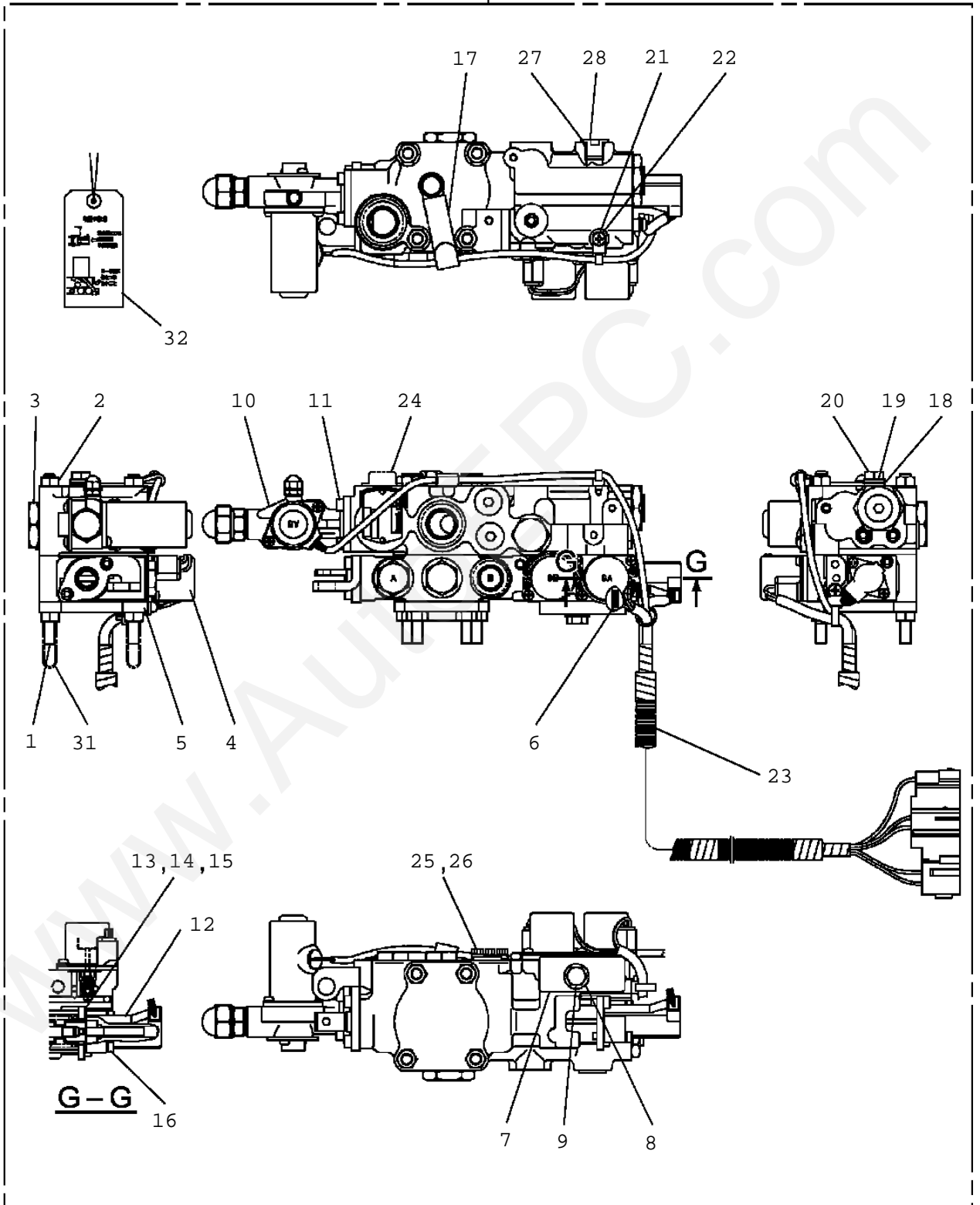
Pos No.	Parts No	Parts Name	Qty	Unit	Technical Data	Serial No (
1	36645585010	BOLT,TIE	1			
2	36636085030	BOLT,TIE (A)	3			
3	90201200800	NUT	9		M8	
4	36740830030	COVER (FRONT)	1			
5	36740755010	BOLT,TIE (B)	1			
6	36740755020	VALVE,CONTROL (JACK)	1			
7	36740755030	VALVE,CONTROL (TELESCOPING)	1			
8	36740745030	VALVE,CONTROL (WINCH)	1			
9	36740745040	VALVE,CONTROL (ELEVATING)	1			
10	36740755040	VALVE,CONTROL (SWING)	1			
11	36740755050	PLATE	1			
12	91002905500	O-RING	1		1B G55	
13	36740755060	VALVE,CONTROL (JACK)	1			
14	36645375030	COVER (BOTTOM)	1			
15	80720104012	PIN,SPRING	1		4X12	
16	36644835061	COVER	1			
17	36740745080	VALVE,RELIEF	1			
18	36645615230	C-BOLT	4		5X12	
19	91001101100	O-RING	3		1A P11	
20	36644115130	PLUG	3			
21	36649075060	CAM	2			
22	36646865110	SCREW,SET	2			
23	36649555080	SWITCH ASSY	1			
24	36647125090	SCREW,MACHINE	2		M2.3X14	
25	36646575070	PLATE	1			
26	36647125100	NUT	2		M2.3	
27	36740745090	COVER	1			
28	36649555130	SCREW,MACHINE	3		M5X8	
29	80172104006	SCREW,MACHINE	2		M4X6	
30	36645405050	BUSH	1			
31	36645405060	TUBE	1			
32	36740745100	LVDT ASSY	1			
33	36644015220	SHIM (T=0.2)	8			
34	36644015230	SHIM (T=0.3)	8			
35	36645405110	SHIM (T=1.0)	4			
36	36645405100	BOLT	8		M4X22	
37	36644015120	CONNECTOR	2			
38	36644015130	TUBE	5			
39	11615111410	BAND	12			
40	36649585260	HARNESS	2			
41	36644015110	CONNECTOR	3			
42	36740745110	HARNESS ASSY (SOLENOID)	1			
43	36740785020	TUBE	1			
44	36646865070	CLIP	1			
45	90303070801	WASHER,PLAIN	1		8	
46	90302040801	WASHER,SPRING	1		8	
47	90101208012	BOLT	1		M8X12	
48	36644015080	BOX	1			
49	36644015140	COVER	1			
50	36644015150	URETHANE (ROOL STOCK)	4			
51	36644015070	COVER	1			
52	36645405150	SCREW,MACHINE	4		M3X5	
53	36646865060	FASTENER	2			
54	36647855190	SCREW,MACHINE	2		M5X12	
55	36740765040	BAND	2			
56	36741985040	PLUG	2			
57	36646485040	PLUG	2			
59	36741985050	PLUG	13			
60	36640755070	CAP	5			
64	36740745200	GUARD	1			
105	80316030020	PLUG	3		PT1/8	
106	36740765060	SPRING	1			
107	91001101400	O-RING	1		1A P14	
108	36640625210	CAP	1			
109	36649585170	FILTER	1			
110	91001002600	O-RING	2		S26	
111	36647395150	PLUG	1		M24	
112	36646875130	ORIFICE	1		M3	
113	91001101600	O-RING	1		1A P16	
114	36740745120	SPRING	1			
115	36740745130	SPRING	1			
116	36645615210	PLUG	1		24	
117	91001100600	O-RING	33		1A P6	
118	91002905500	O-RING	7		1B G55	

TM-ZE300 41044507044A FRAME/HOOK-IN(AWL)

Pos No.	Parts No	Parts Name	Qty	Unit	Technical Data	Serial No (
119	91001101800	O-RING	1		1A P18	
120	90303070401	WASHER,PLAIN	1		4	
207	91001000800	O-RING	6		S8	
208	36646865190	PISTON	6			
209	91001102000	O-RING	6		1A P20	
210	36648365110	FLANGE	6			
211	91001002240	O-RING	6		S22.4	
212	91650001400	SCRAPER	6			
213	36645495210	SEAT,SPRING (RETURN)	12			
214	36648365120	SPOOL (SUB)	6			
215	36645845060	SPRING (RETURN)	6			
216	36645495220	ADAPTER	1			
217	36648365130	SPACER	6			
218	36648385080	BRACKET	1			
219	36645615250	C-BOLT	12		M5X25	
220	36633365100	SEAL,OIL	6			
221	36645845050	LINK	2			
222	36645615230	C-BOLT	4		5X12	
223	12635101360	SPOOL	5			
224	12635101190	SPRING	3			
225	36633365090	CAP (CHECK VALVE)	5			
227	91001002200	O-RING	12		S22	
229	36740745140	SCREW,MACHINE	24		M4X12	
251	36740745150	VALVE,SOLENOID (KIT)	12			
266	36644015260	ADAPTER	4			
268	36645405090	PLATE (D)	4			
271	36633365060	PLATE (B)	4			
272	36645615260	C-BOLT	8		M5X8	
274	36635735150	SPRING (CHECK VALVE)	2			
286	36633365070	ADAPTER	1			
288	36640625550	PLATE (D)	1			
304	36645405030	O-RING	2			
305	36647175030	COVER	1			
307	36740745160	CHOKE	1			
308	91002800700	O-RING	2		1B P7	
310	12635101140	SPRING	1			
311	12635101130	SCREW (ADJUSTING)	2			
312	11629431040	PACKING	4			
313	36646575090	NUT	2			
314	36630195030	NUT,CAP	2			
315	16623320390	TUBE (SEAL)	2			
316	91001102200	O-RING	1		1A P22	
319	36740745170	SPRING	1			
320	36740745180	SPRING	1			
321	91002802100	O-RING	1		1B P21	
322	36635735130	SPRING (A)	1			
323	36635735140	SPRING (B)	1			
324	36647055160	SEAT,SPRING	1			
325	80172104010	SCREW,MACHINE	6		M4X10	
326	36646865170	ROD,PUSH	1		8	
327	36645495240	SOLENOID ASSY	1			
328	91001001000	O-RING	1		1A S10	
329	91002800300	O-RING	1		1B P3	
332	36648365220	BALL,STEEL	1		3/32	
333	36646525170	ROD,PUSH	1			
334	36645495250	SOLENOID ASSY	1			
335	36645495260	RING,BACKUP	1			
336	36646525120	NEEDLE	1			
337	90203200800	NUT	1		M8	
338	36646875150	ORIFICE	1		M3	
341	36647175110	NUT,CAP	1		M8	
343	36635735120	SPRING	1			
344	36603185150	TUBE	1			
346	36647175100	SEAT,SPRING	1			
500	36740750000	VALVE,REMOTE CONTROL (MAIN)	1			

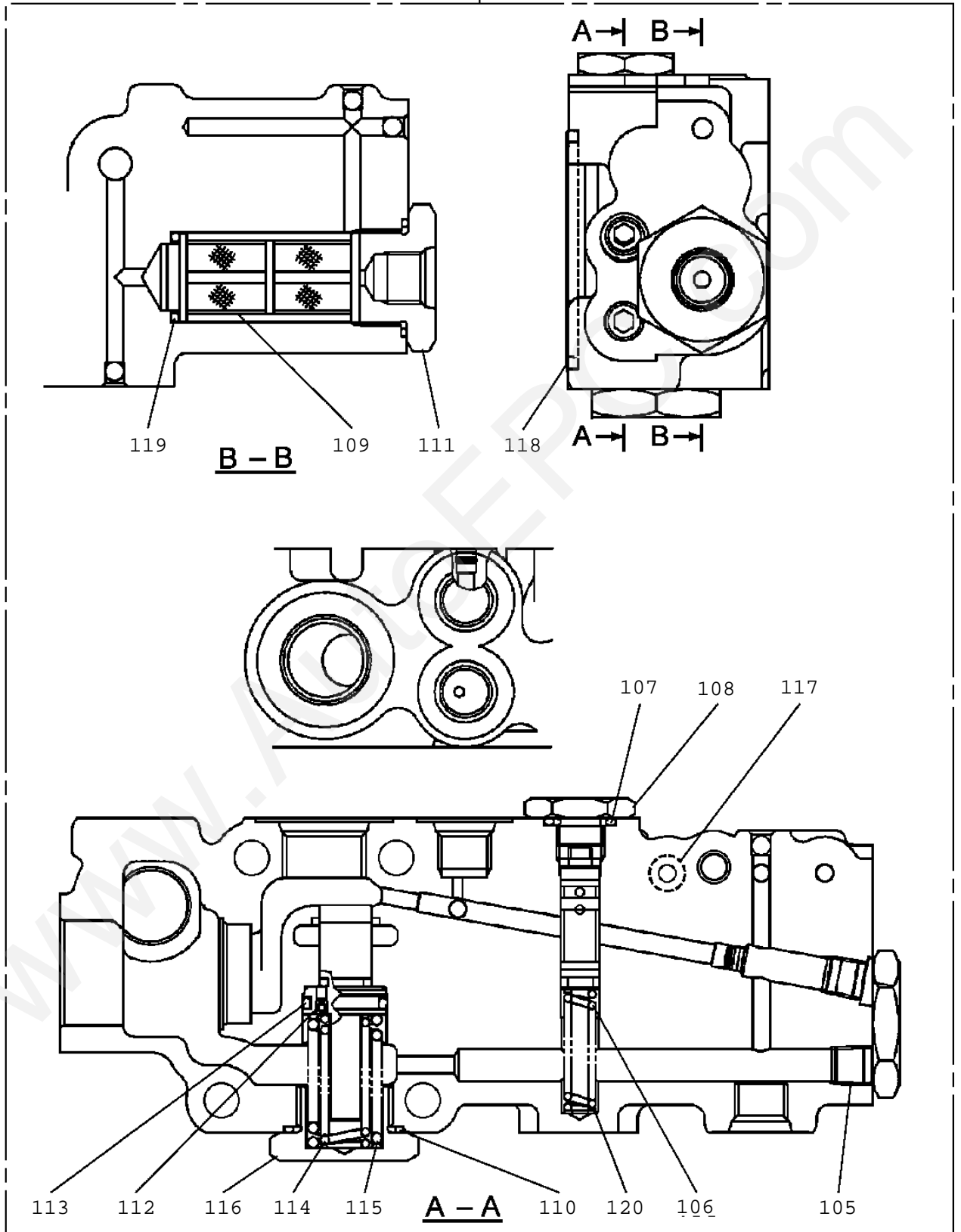
TM-ZE300 41044507044A FRAME/HOOK-IN(AWL)
PV1020372-00 VALVE,REMOTE CONTROL

500



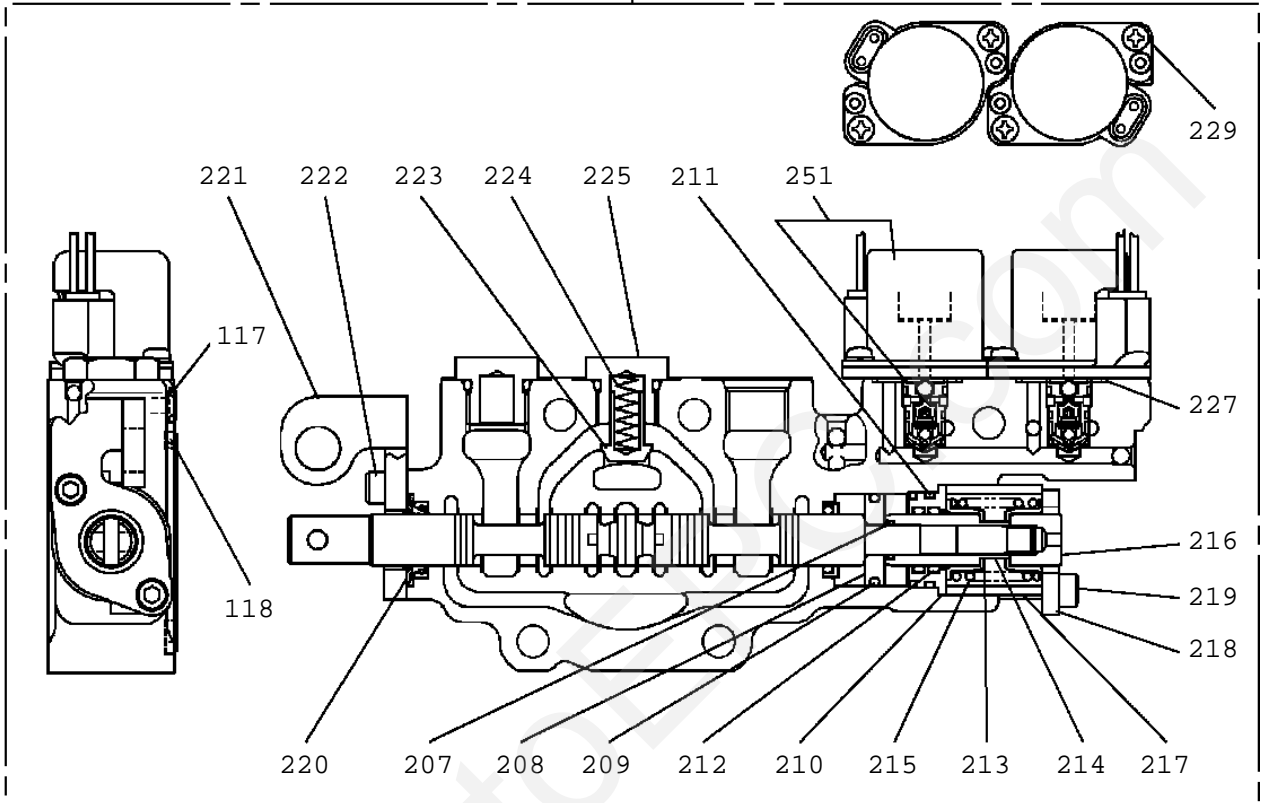
TM-ZE300 41044507044A FRAME/HOOK-IN(AWL)
PV1020372-00 VALVE,REMOTE CONTROL

3

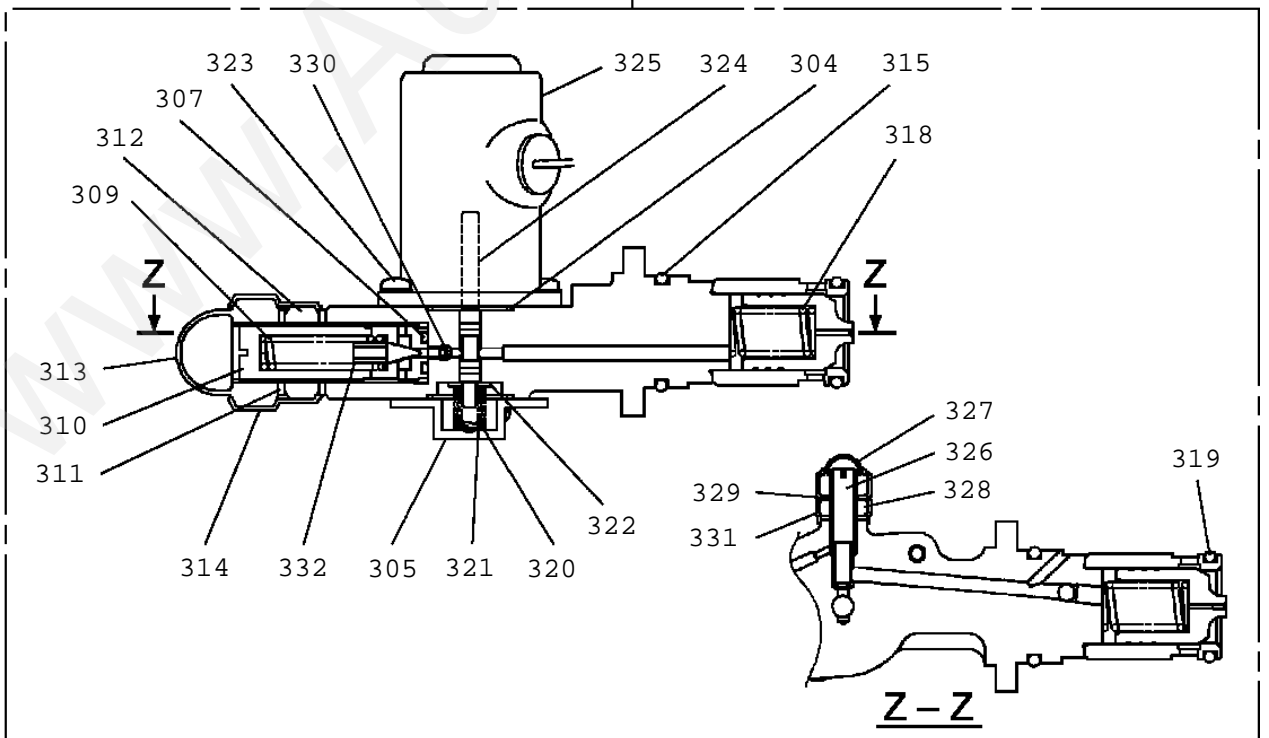


TM-ZE300 41044507044A FRAME/HOOK-IN(AWL)
 PV1020372-00 VALVE,REMOTE CONTROL

4



10



TM-ZE300 41044507044A FRAME/HOOK-IN(AWL)

Pos No.	Parts No	Parts Name	Qty	Unit	Technical Data	Serial No (Sta
1	36649045010	BOLT,TIE	4			
2	90201200800	NUT	8		M8	
3	36740745010	COVER (FRONT)	1			
4	36740935010	BLOCK,VALVE	1			
5	36641555090	COVER (BOTTOM)	1			
6	80720104012	PIN,SPRING	1		4X12	
7	36644835061	COVER	1			
8	36646525200	WASHER	1			
9	36649045030	BOLT	1			
10	36740935020	VALVE,SOLENOID	1			
11	36645615230	C-BOLT	4		5X12	
12	36062445011	LVDT ASSY (A/WITH CORE,)	1			
13	36644015220	SHIM (T=0.2)	2			
14	36644015230	SHIM (T=0.3)	2			
15	36645405110	SHIM (T=1.0)	1			
16	36645405100	BOLT	2		M4X22	
17	36646865070	CLIP	1			
18	90303070801	WASHER,PLAIN	1		8	
19	90302040801	WASHER,SPRING	1		8	
20	90101208012	BOLT	1		M8X12	
21	36646865060	FASTENER	2			
22	36647855190	SCREW,MACHINE	2		M5X12	
23	36062635050	TUBE,CORRUGATE	1		10	
24	36645615090	PROTECTOR	2			
25	36645615200	PACKING	1			
26	36645615190	PLUG (DUST)	1			
27	91001101100	O-RING	4		1A P11	
28	36644115130	PLUG	4			
31	36640755070	CAP	4			
32	36645405080	LABEL (CAUTION)	1			
105	80316030020	PLUG	3		PT1/8	
106	36740765060	SPRING	1			
107	91001101400	O-RING	1		1A P14	
108	36640625210	CAP	1			
109	36649585170	FILTER	1			
110	91001002600	O-RING	2		S26	
111	36647395150	PLUG	1		M24	
112	36646875130	ORIFICE	1		M3	
113	91001101600	O-RING	1		1A P16	
114	36740745120	SPRING	1			
115	36740745130	SPRING	1			
116	36645615210	PLUG	1		24	
117	91001100600	O-RING	8		1A P6	
118	91002905500	O-RING	2		1B G55	
119	91001101800	O-RING	1		1A P18	
120	90303070401	WASHER,PLAIN	1		4	
207	91001000800	O-RING	1		S8	
208	36646865190	PISTON	1			
209	91001102000	O-RING	1		1A P20	
210	36648365110	FLANGE	1			
211	91001002240	O-RING	1		S22.4	
212	91650001400	SCRAPER	1			
213	36645495210	SEAT,SPRING (RETURN)	2			
214	36648365120	SPOOL (SUB)	1			
215	36645845060	SPRING (RETURN)	1			
216	36644015260	ADAPTER	1			
217	36648365130	SPACER	1			
218	36645405090	PLATE (D)	1			
219	36645615250	C-BOLT	2		M5X25	
220	36633365100	SEAL,OIL	1			
221	36645845050	LINK	1			
222	36645615230	C-BOLT	2		5X12	
223	12635101360	SPOOL	1			
224	12635101190	SPRING	1			
225	36633365090	CAP (CHECK VALVE)	2			
227	91001002200	O-RING	2		S22	
229	36740745140	SCREW,MACHINE	4		M4X12	
251	36740935030	VALVE,SOLENOID	1			
304	91001001800	O-RING	2		S18	
305	36646865150	COVER (FOR SOLENOID)	1			
307	91002800700	O-RING	1		1B P7	
309	36635735120	SPRING	1			
310	12635101130	SCREW (ADJUSTING)	1			
311	11629431040	PACKING	2			

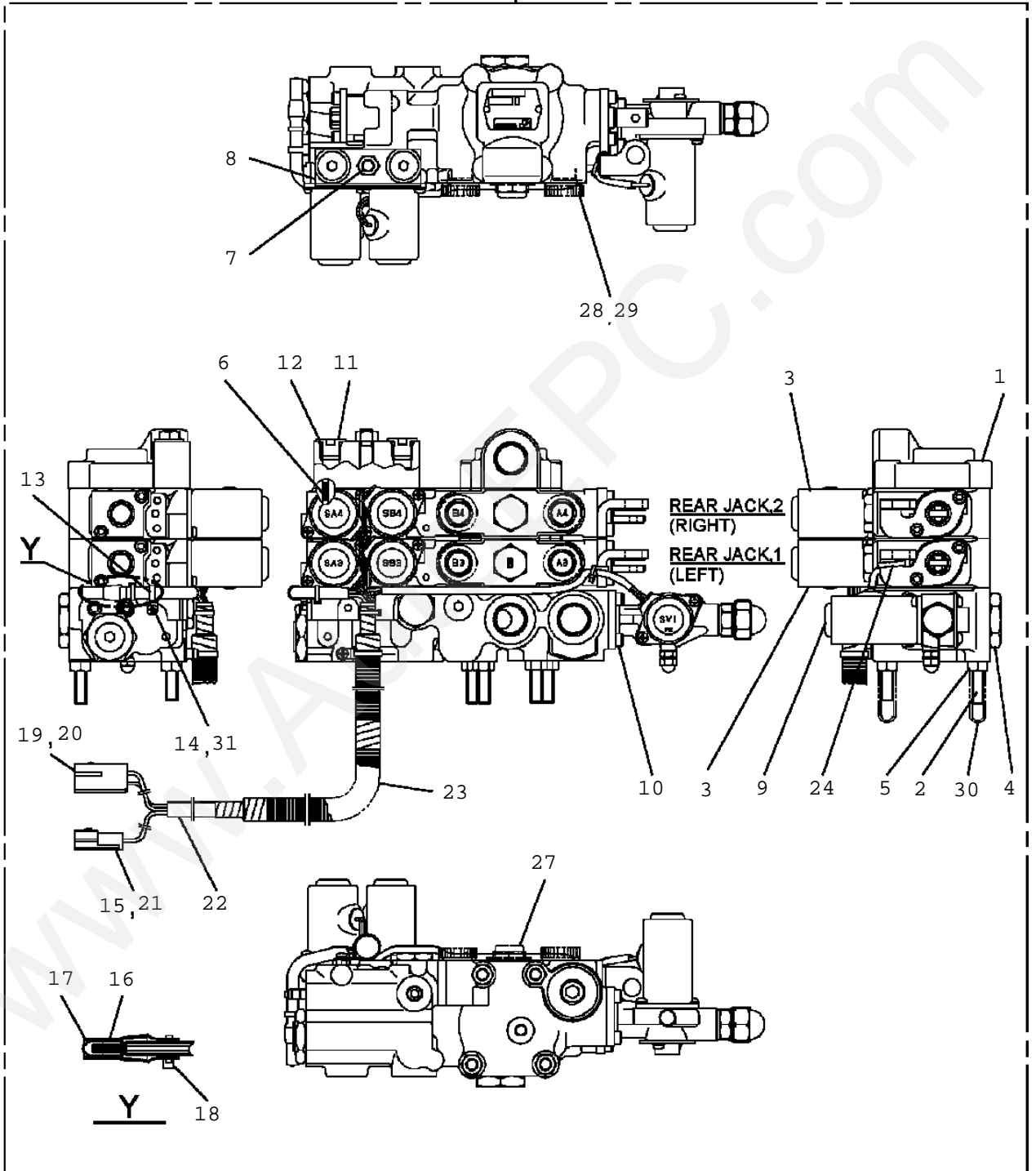
TM-ZE300 41044507044A FRAME/HOOK-IN(AWL)

Pos No.	Parts No	Parts Name	Qty	Unit	Technical Data	Serial No (Sta
312	36646575090	NUT	1			
313	36630195030	NUT,CAP	1			
314	16623320390	TUBE (SEAL)	1			
315	91001102200	O-RING	1		1A P22	
318	12635101110	SPRING (RETURN)	1			
319	91002802100	O-RING	1		1B P21	
320	36635735130	SPRING (A)	1			
321	36635735140	SPRING (B)	1			
322	36646865160	SEAT,SPRING	1			
323	80172304010	SCREW,MACHINE	4		M4X10	
324	36646865170	ROD,PUSH	1		8	
325	36740935040	SOLENOID	1			
326	36640735130	PLUG	1		M6	
327	36640735140	NUT,CAP	1		M6	
328	90203200600	NUT	1		M6	
329	36642065070	WASHER,SEAL	2			
330	36646875150	ORIFICE	1		M3	
331	36640625680	TUBE (SEAL)	1			
332	36647175100	SEAT,SPRING	1			
500	36740930000	VALVE,REMOTE CONTROL	1			

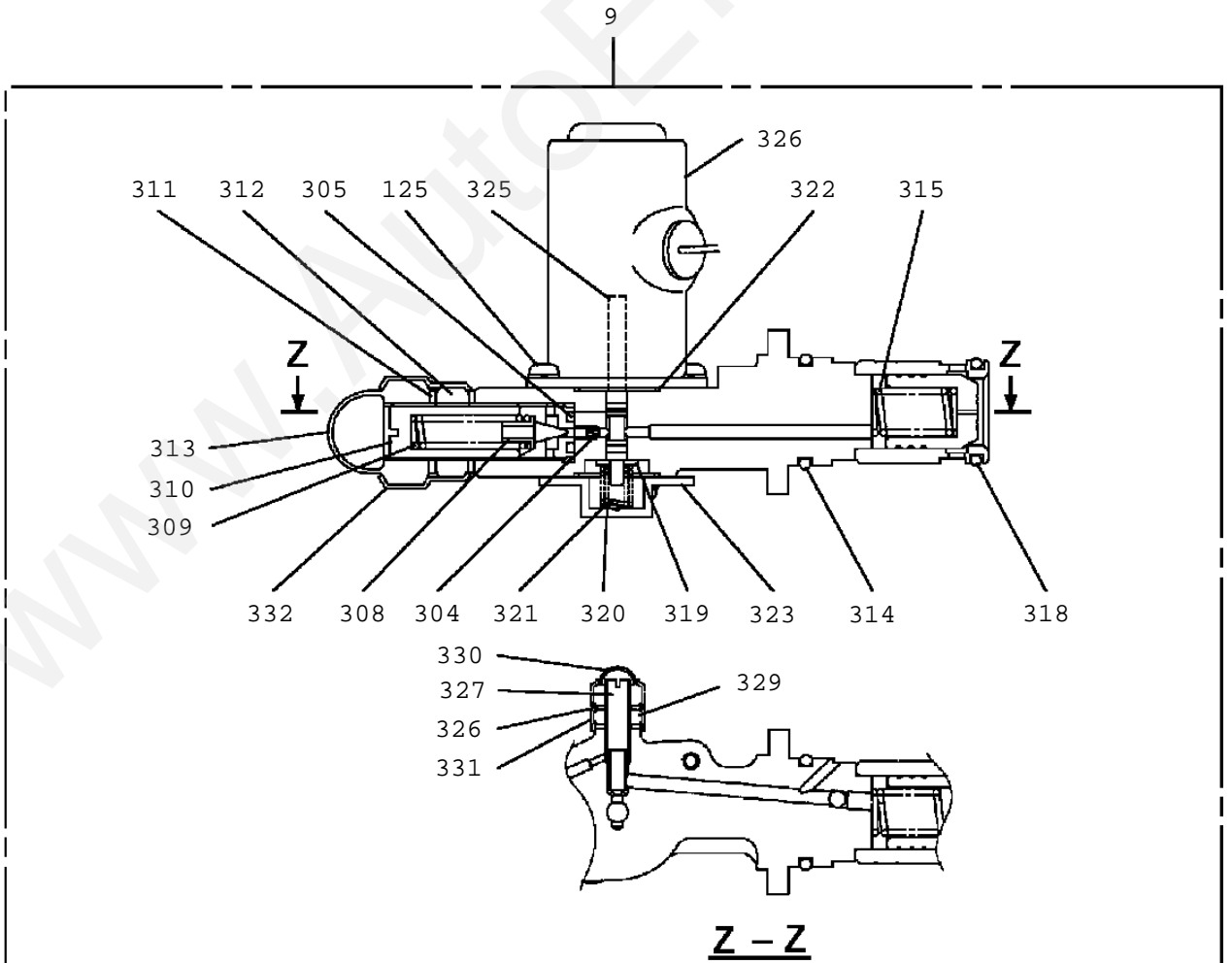
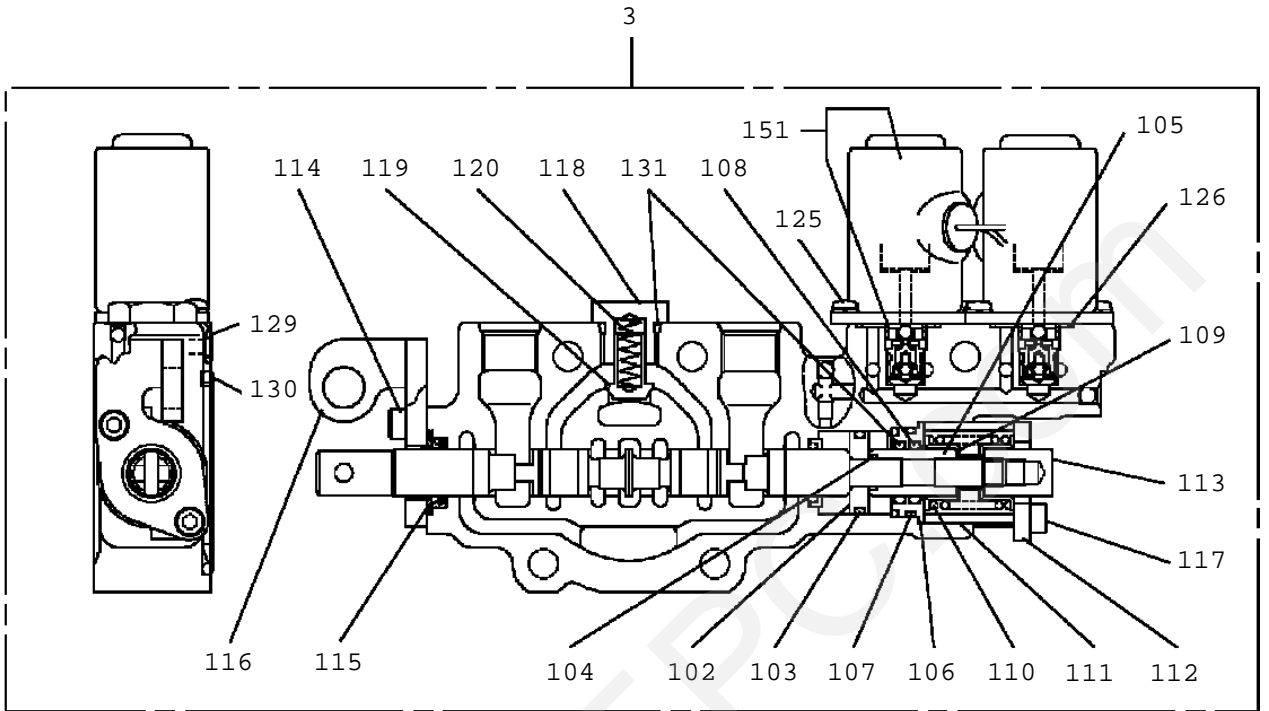
www.AutoEPC.com

TM-ZE300 41044507044A FRAME/HOOK-IN(AWL)
PV1020383-00 VALVE,REMOTE CONTROL

900

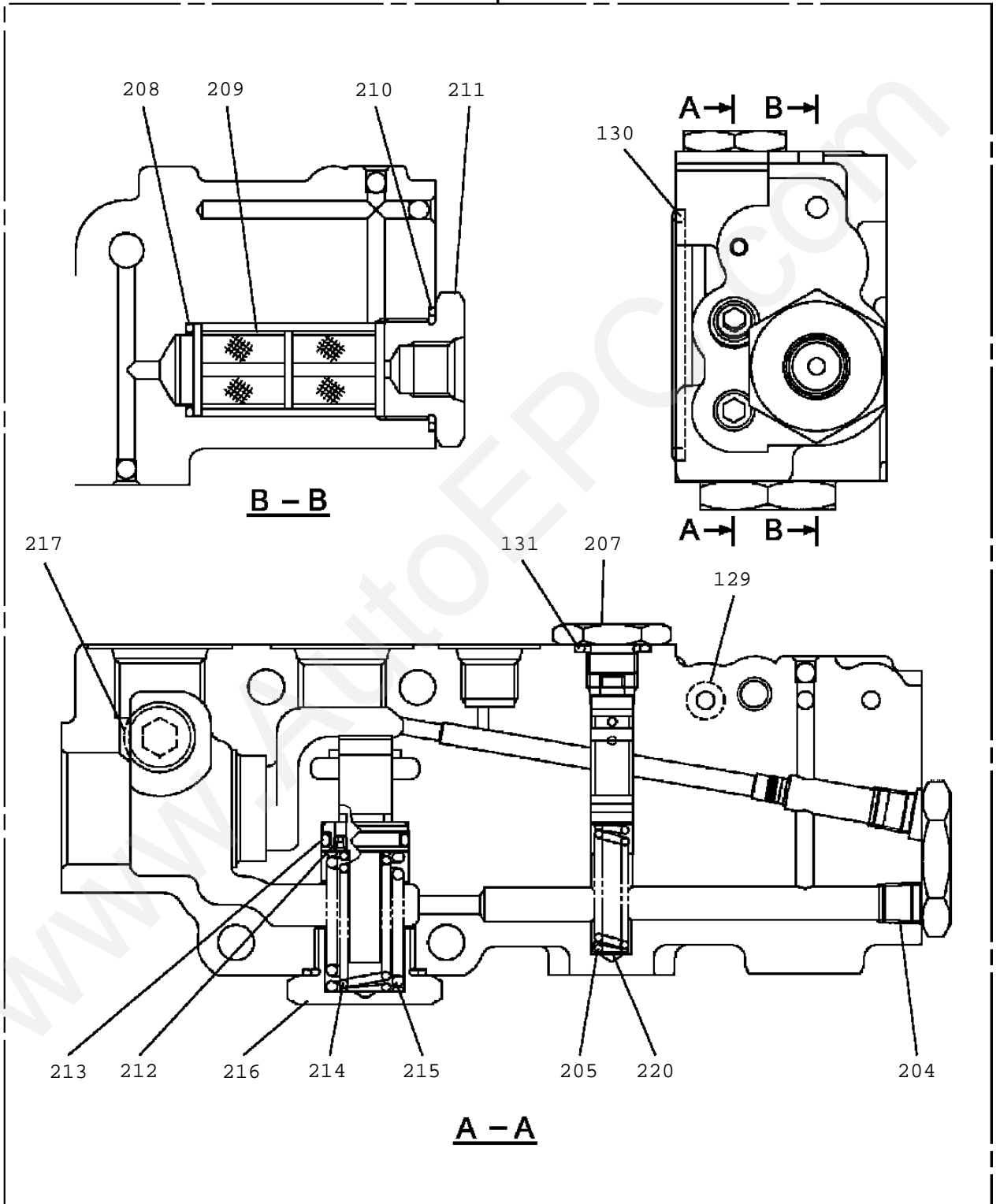


TM-ZE300 41044507044A FRAME/HOOK-IN(AWL)
 PV1020383-00 VALVE,REMOTE CONTROL



TM-ZE300 41044507044A FRAME/HOOK-IN(AWL)
PV1020383-00 VALVE,REMOTE CONTROL

4



TM-ZE300 41044507044A FRAME/HOOK-IN(AWL)

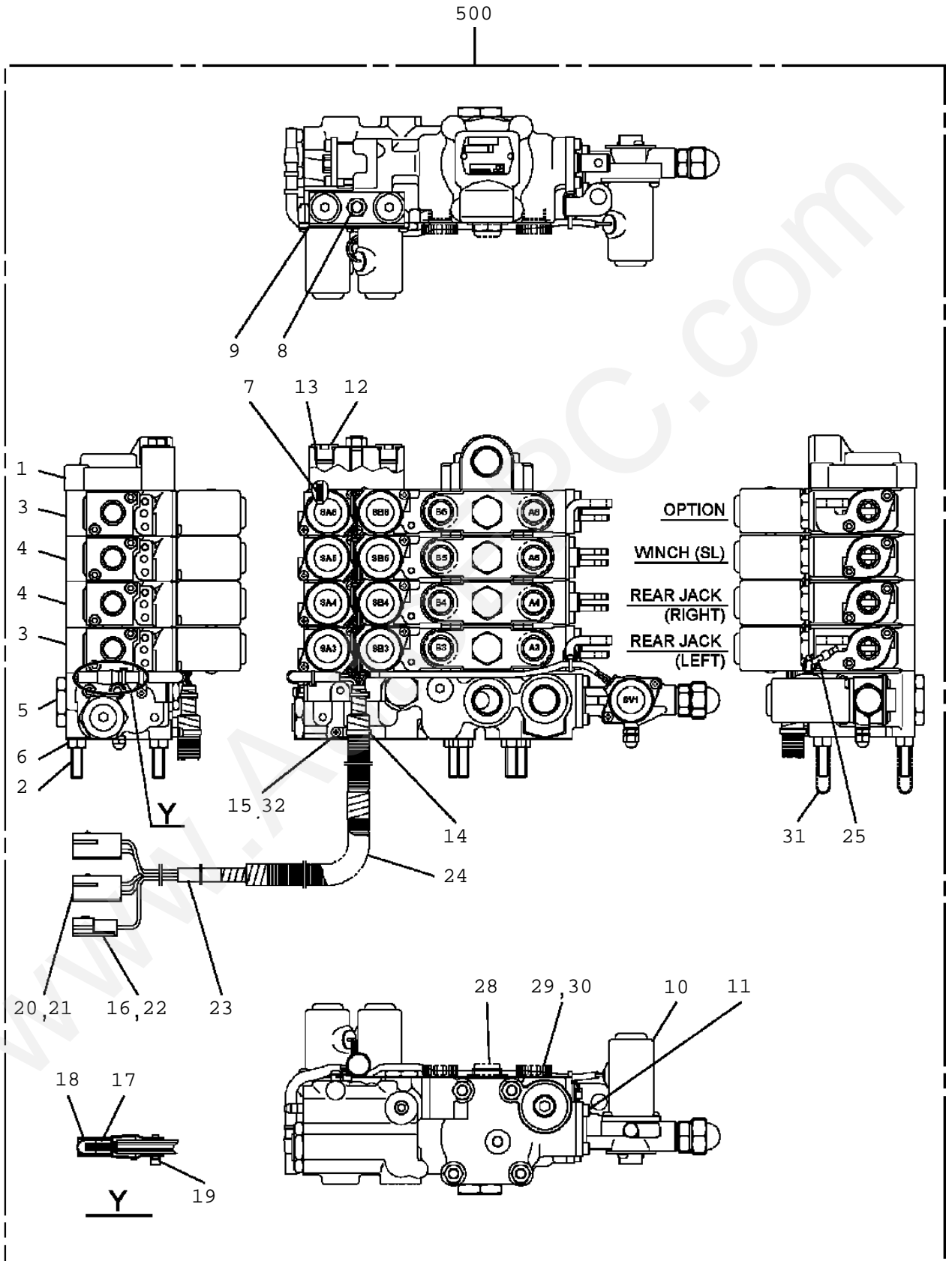
Pos No.	Parts No	Parts Name	Qty	Unit	Technical Data	Serial No (Star
1	36645095040	COVER (BOTTOM)	1			
2	36646225020	BOLT,TIE	4			
3	36647055030	VALVE,CONTROL	2			
4	36740850030	COVER (FRONT)	1			
5	90201200800	NUT	5		M8	
6	80720104012	PIN,SPRING	1		4X12	
7	36647615050	BOLT,TIE (C)	1			
8	36645495080	JOINT	1			
9	36740760041	VALVE,RELIEF	1			
10	36645615230	C-BOLT	4		5X12	
11	36644115130	PLUG	4			
12	91001101100	O-RING	4		1A P11	
13	36062635030	FASTENER	2			
14	80172304010	SCREW,MACHINE	2		M4X10	
15	36740765030	HARNES ASSY (SOLENOID)	1			
16	36644015110	CONNECTOR	1			
17	36644015130	TUBE	1			
18	11615111410	BAND	4			
19	82114203040	CONNECTOR (CAP)	1			
20	82121502040	PLATE	1			
21	36646515070	PLATE	1			
22	36646875090	TUBE	2		10B	
23	36062635050	TUBE,CORRUGATE	1		10	
24	36740765040	BAND	1			
27	36645615090	PROTECTOR	3			
28	36645615200	PACKING	4			
29	36645615190	PLUG (DUST)	4			
30	36640755070	CAP	4			
31	90303070401	WASHER,PLAIN	2		4	
102	36646865190	PISTON	2			
103	91001102000	O-RING	2		1A P20	
104	91001000800	O-RING	2		S8	
105	36646865200	SPOOL (SUB)	2			
106	36648365110	FLANGE	2			
107	91001002240	O-RING	2		S22.4	
108	91650001400	SCRAPER	2			
109	36645495210	SEAT,SPRING (RETURN)	4			
110	36645845060	SPRING (RETURN)	2			
111	36646865210	SPACER	2			
112	36640625550	PLATE (D)	2			
113	36633365070	ADAPTER	2			
114	36645615230	C-BOLT	4		5X12	
115	36633365100	SEAL,OIL	2			
116	36645845050	LINK	2			
117	36645615250	C-BOLT	4		M5X25	
118	36633365090	CAP (CHECK VALVE)	2			
119	12635101360	SPOOL	2			
120	12635101190	SPRING	2			
125	80172104010	SCREW,MACHINE	12		M4X10	
126	91001002200	O-RING	4		S22	
129	91001100600	O-RING	13		1A P6	
130	91002905500	O-RING	3		1B G55	
131	91001101400	O-RING	7		1A P14	
151	36647055180	VALVE,SOLENOID (KIT)	4			
204	36740765050	PLUG	3			
205	36740765060	SPRING	1			
207	36640625210	CAP	1			
208	91001101800	O-RING	1		1A P18	
209	36649585170	FILTER	1			
210	91001002600	O-RING	2		S26	
211	36647395150	PLUG	1		M24	
212	36646875130	ORIFICE	1		M3	
213	91001101600	O-RING	1		1A P16	
214	36646265090	SPRING (B)	1			
215	36646265080	SPRING (A)	1			
216	36645615210	PLUG	1		24	
217	80316030060	PLUG	1		PT3/8	
220	90303070401	WASHER,PLAIN	1		4	
304	36646875150	ORIFICE	1		M3	
305	91002800700	O-RING	1		1B P7	
308	36647175100	SEAT,SPRING	1			
309	36635735120	SPRING	1			
310	12635101130	SCREW (ADJUSTING)	1			
311	11629431040	PACKING	2			

TM-ZE300 41044507044A FRAME/HOOK-IN(AWL)

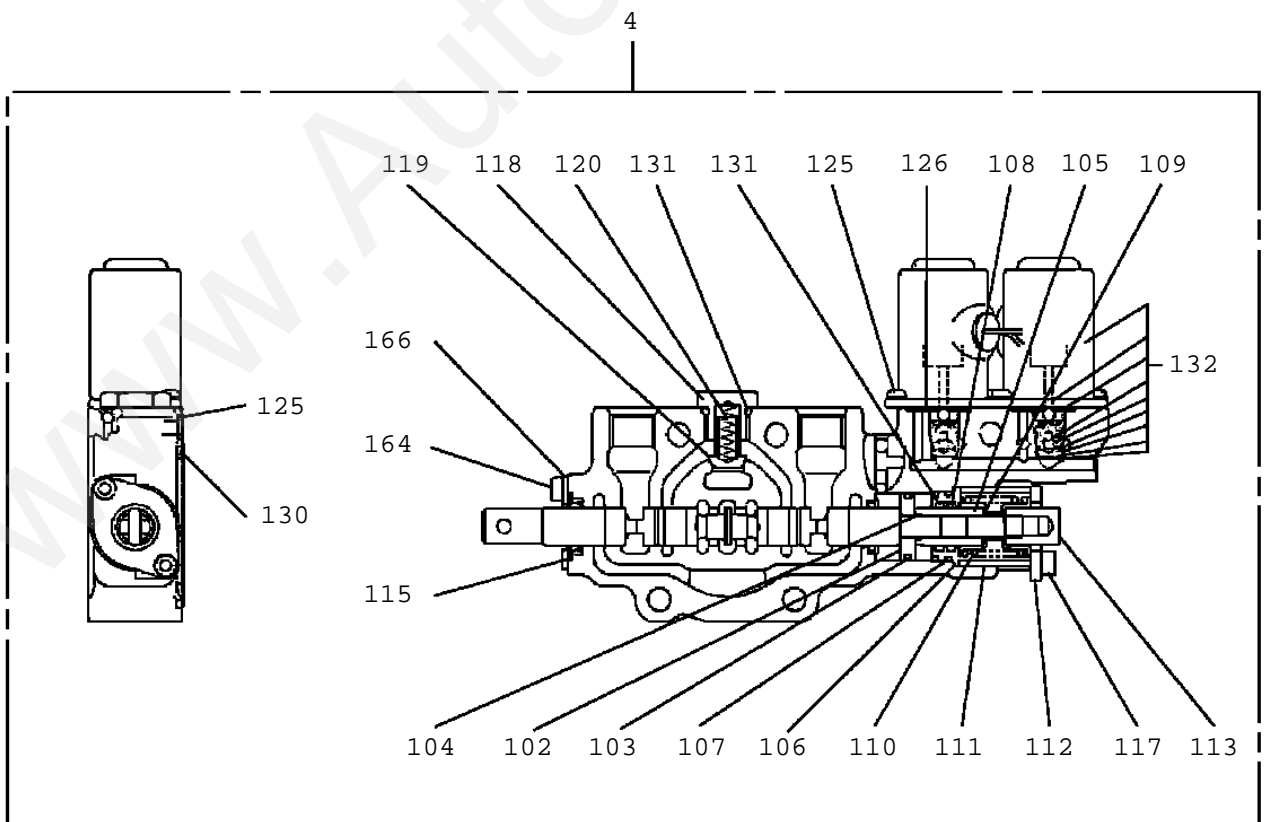
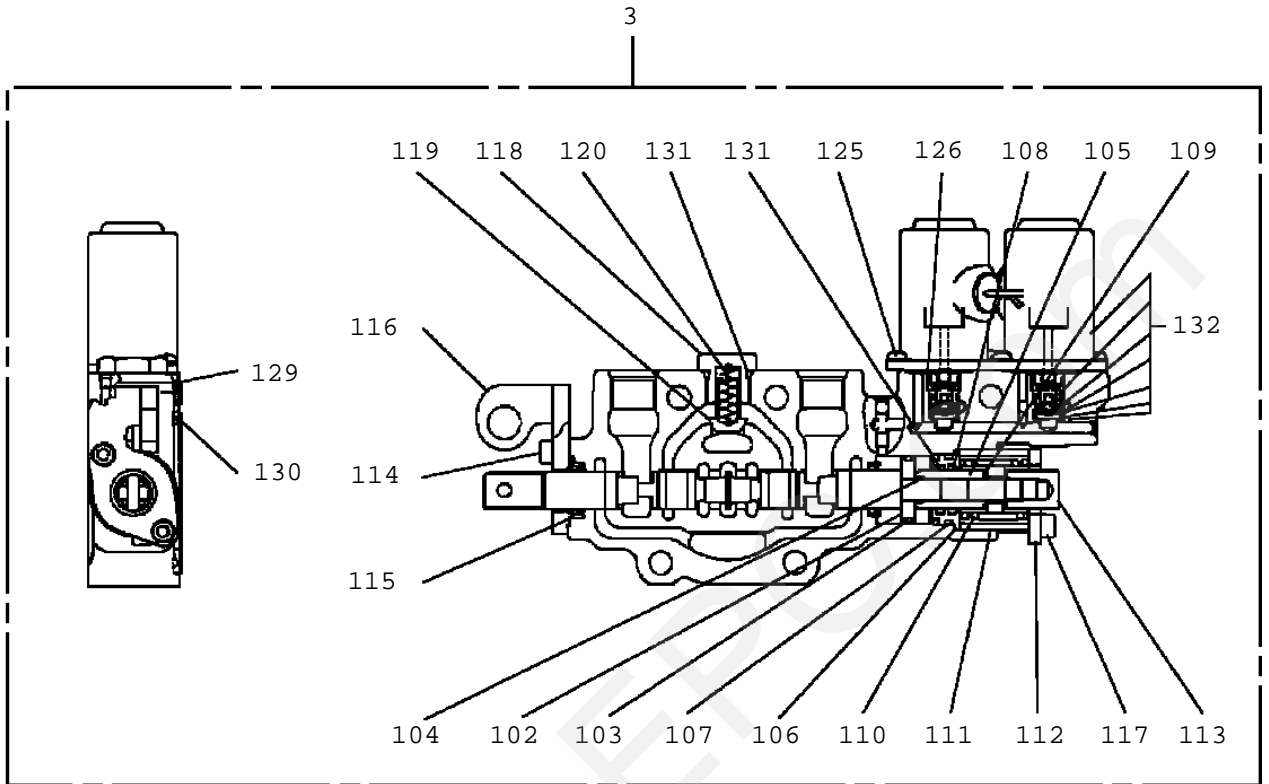
Pos No.	Parts No	Parts Name	Qty	Unit	Technical Data	Serial No (Star
312	36646575090	NUT	1			
313	36630195030	NUT,CAP	1			
314	91001102200	O-RING	1		1A P22	
315	12635101110	SPRING (RETURN)	1			
318	91002802100	O-RING	1		1B P21	
319	36646865160	SEAT,SPRING	1			
320	36635735140	SPRING (B)	1			
321	36635735130	SPRING (A)	1			
322	91001001800	O-RING	2		S18	
323	36646865150	COVER (FOR SOLENOID)	1			
325	36646865170	ROD,PUSH	1		8	
326	36740765070	SOLENOID ASSY	1			
327	36640735130	PLUG	1		M6	
328	36642065070	WASHER,SEAL	2			
329	90203200600	NUT	1		M6	
330	36640735140	NUT,CAP	1		M6	
331	36640625680	TUBE (SEAL)	1			
332	16623320390	TUBE (SEAL)	1			
900	36740770001	VALVE,REMOTE CONTROL	1			

www.AutoEPC.com

TM-ZE300 41044507044A FRAME/HOOK-IN(AWL)
 PV1020385-00 VALVE,REMOTE CONTROL

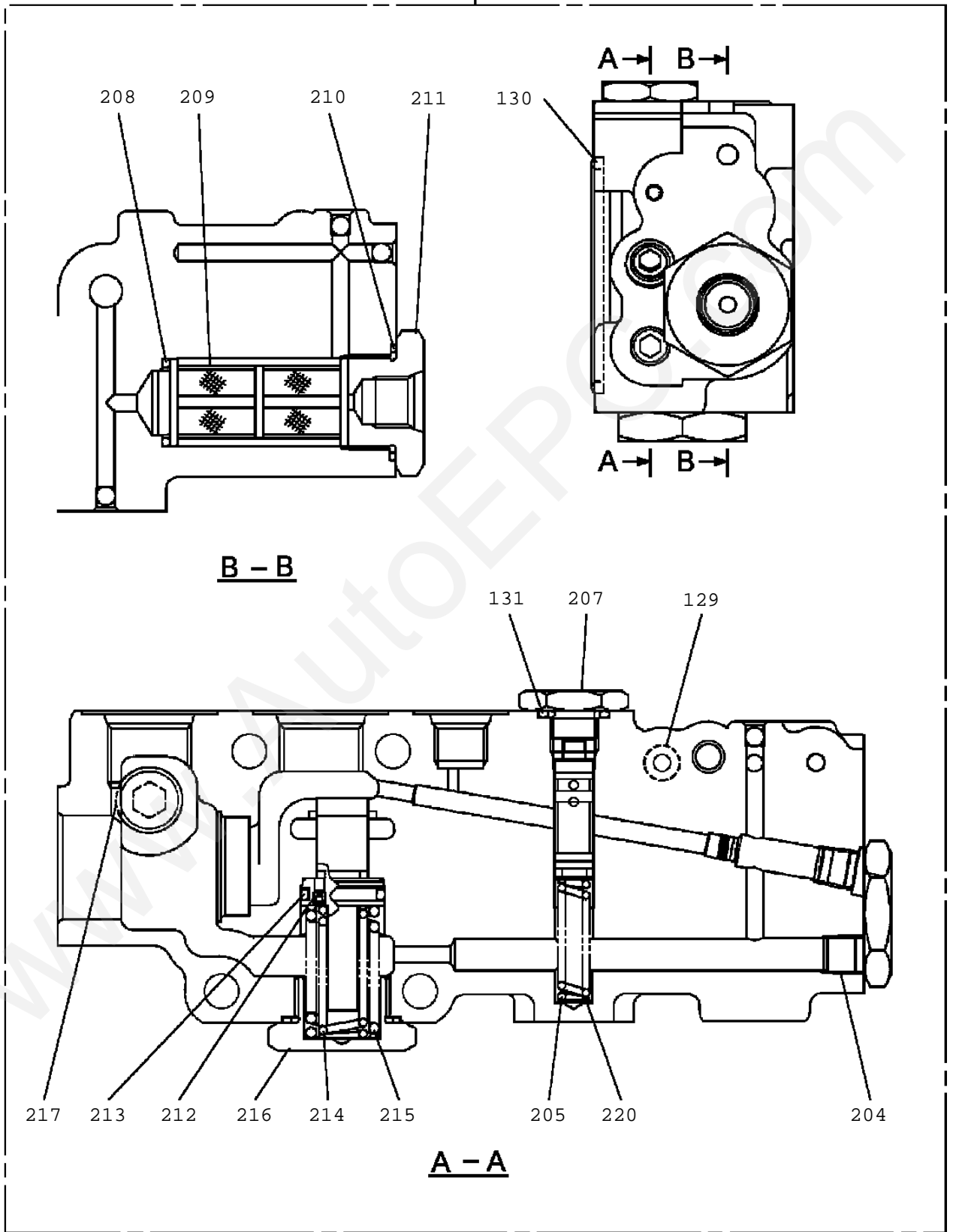


TM-ZE300 41044507044A FRAME/HOOK-IN(AWL)
PV1020385-00 VALVE,REMOTE CONTROL

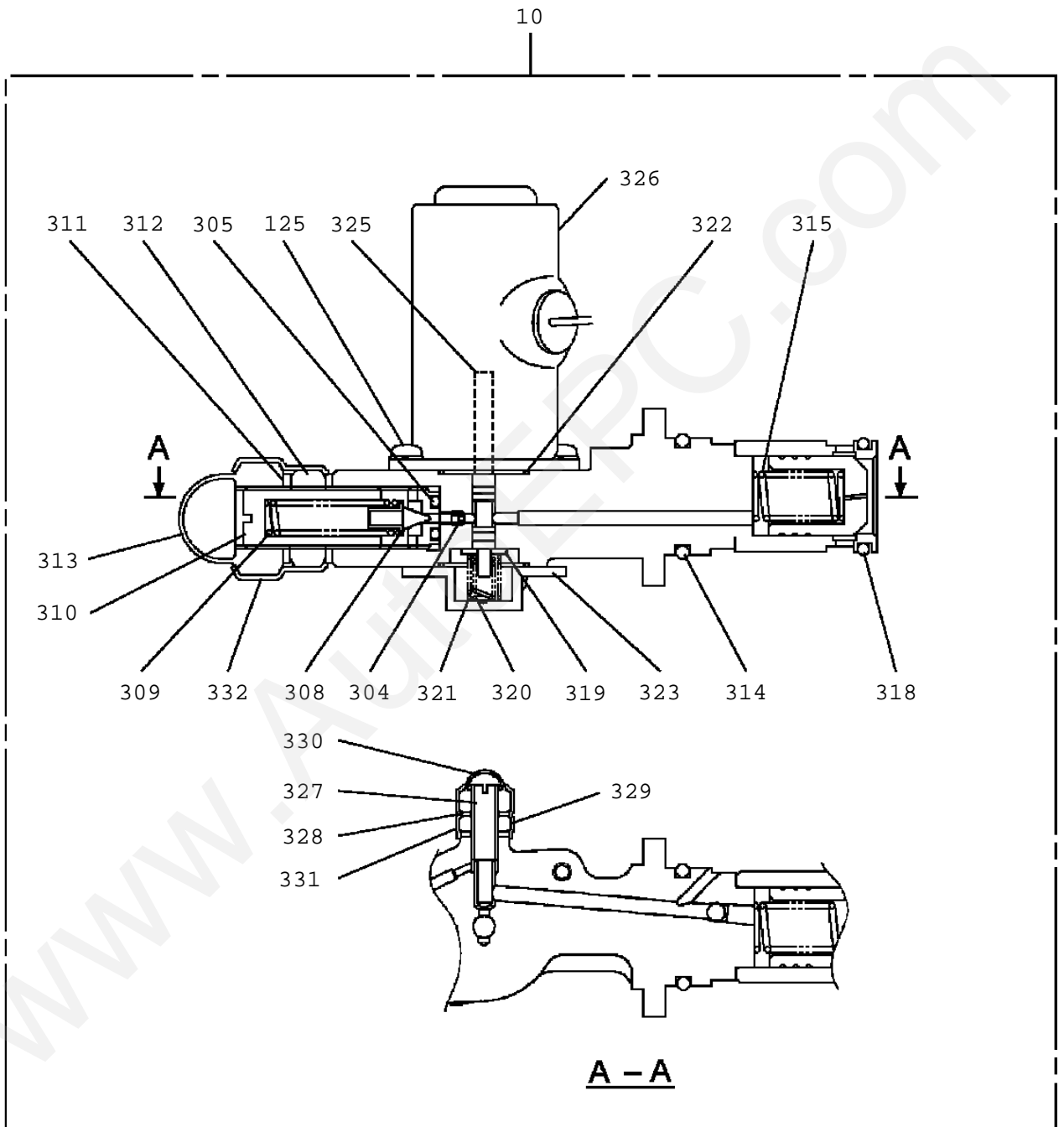


TM-ZE300 41044507044A FRAME/HOOK-IN(AWL)
PV1020385-00 VALVE,REMOTE CONTROL

5



TM-ZE300 41044507044A FRAME/HOOK-IN(AWL)
PV1020385-00 VALVE,REMOTE CONTROL



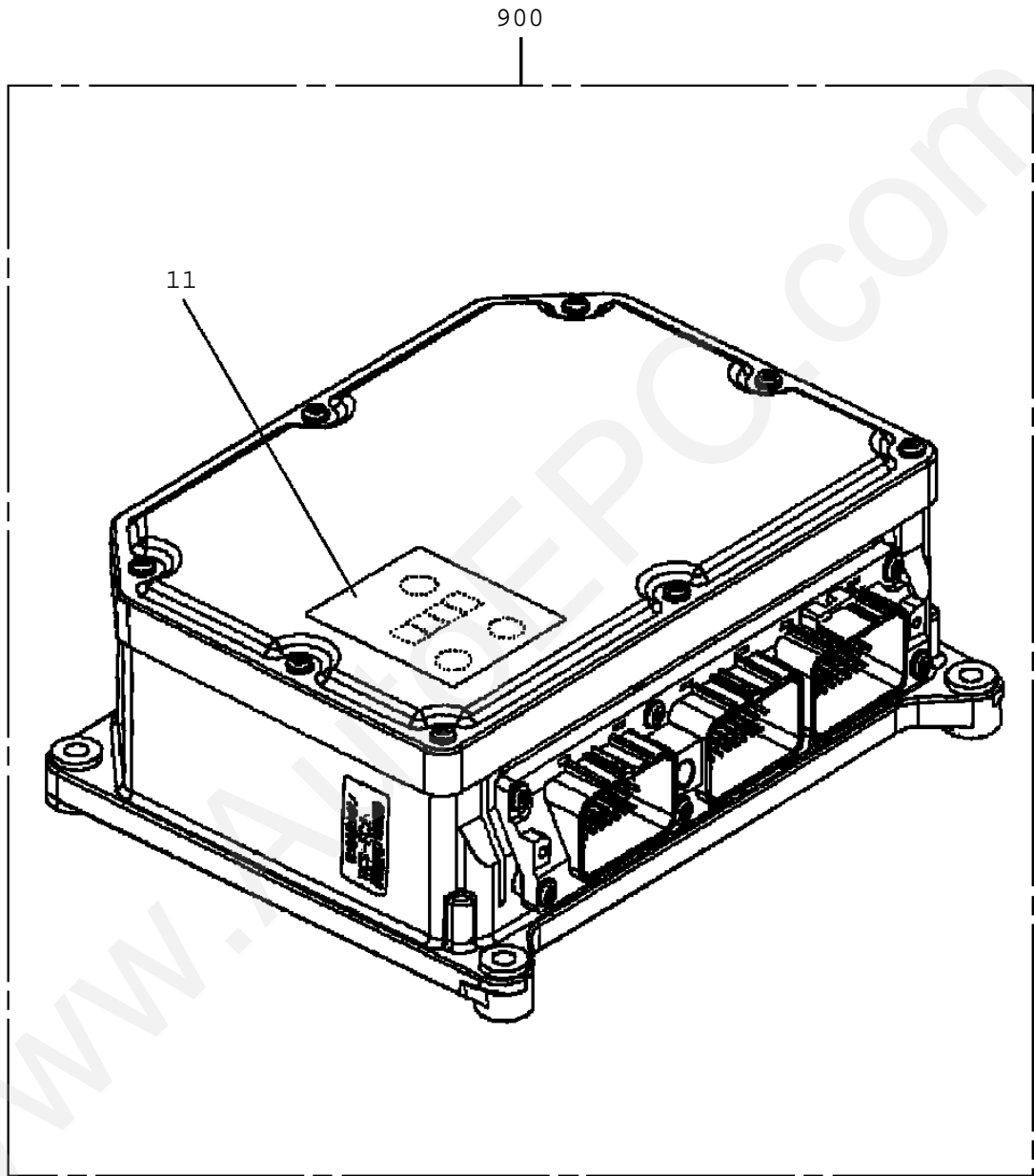
TM-ZE300 41044507044A FRAME/HOOK-IN(AWL)

Pos No.	Parts No	Parts Name	Qty	Unit	Technical Data	Serial No (Star
1	36645095040	COVER (BOTTOM)	1			
2	36645875070	BOLT,TIE	4			
3	36647055030	VALVE,CONTROL	2			
4	36647055020	VALVE,CONTROL	2			
5	36740850030	COVER (FRONT)	1			
6	90201200800	NUT	5		M8	
7	80720104012	PIN,SPRING	1		4X12	
8	36645875080	BOLT,TIE (C)	1			
9	36645495080	JOINT	1			
10	36740760041	VALVE,RELIEF	1			
11	36645615230	C-BOLT	4		5X12	
12	36644115130	PLUG	4			
13	91001101100	O-RING	4		1A P11	
14	36062635030	FASTENER	2			
15	80172104010	SCREW,MACHINE	2		M4X10	
16	36740765030	HARNES ASSY (SOLENOID)	1			
17	36644015110	CONNECTOR	1			
18	36644015130	TUBE	1			
19	11615111410	BAND	4			
20	82114203040	CONNECTOR (CAP)	2			
21	82121502040	PLATE	2			
22	36646515070	PLATE	1			
23	36646875090	TUBE	2		10B	
24	36062635050	TUBE,CORRUGATE	1		10	
25	36740765040	BAND	1			
28	36645615090	PROTECTOR	3			
29	36645615200	PACKING	8			
30	36645615190	PLUG (DUST)	8			
31	36640755070	CAP	4			
32	90303070401	WASHER,PLAIN	2		4	
102	36646865190	PISTON	4			
103	91001102000	O-RING	4		1A P20	
104	91001000800	O-RING	4		S8	
105	36646865200	SPOOL (SUB)	4			
106	36648365110	FLANGE	4			
107	91001002240	O-RING	4		S22.4	
108	91650001400	SCRAPER	4			
109	36645495210	SEAT,SPRING (RETURN)	8			
110	36645845060	SPRING (RETURN)	4			
111	36646865210	SPACER	4			
112	36640625550	PLATE (D)	4			
113	36633365070	ADAPTER	4			
114	36645615230	C-BOLT	4		5X12	
115	36633365100	SEAL,OIL	4			
116	36645845050	LINK	2			
117	36645615250	C-BOLT	8		M5X25	
118	36633365090	CAP (CHECK VALVE)	4			
119	12635101360	SPOOL	4			
120	12635101190	SPRING	4			
125	80172104010	SCREW,MACHINE	20		M4X10	
126	91001002200	O-RING	8		S22	
129	91001100600	O-RING	23		1A P6	
130	91002905500	O-RING	5		1B G55	
131	91001101400	O-RING	13		1A P14	
132	36647055180	VALVE,SOLENOID (KIT)	8			
164	36645615260	C-BOLT	4		M5X8	
166	36633365060	PLATE (B)	2			
204	36740765050	PLUG	3			
205	36740765060	SPRING	1			
207	36640625210	CAP	1			
208	91001101800	O-RING	1		1A P18	
209	36649585170	FILTER	1			
210	91001002600	O-RING	2		S26	
211	36647395150	PLUG	1		M24	
212	36646875130	ORIFICE	1		M3	
213	91001101600	O-RING	1		1A P16	
214	36646265090	SPRING (B)	1			
215	36646265080	SPRING (A)	1			
216	36645615210	PLUG	1		24	
217	80316030060	PLUG	1		PT3/8	
220	90303070401	WASHER,PLAIN	1		4	
304	36646875150	ORIFICE	1		M3	
305	91002800700	O-RING	1		1B P7	
308	36647175100	SEAT,SPRING	1			

TM-ZE300 41044507044A FRAME/HOOK-IN(AWL)

Pos No.	Parts No	Parts Name	Qty	Unit	Technical Data	Serial No (Star
309	36635735120	SPRING	1			
310	12635101130	SCREW (ADJUSTING)	1			
311	11629431040	PACKING	2			
312	36646575090	NUT	1			
313	36630195030	NUT,CAP	1			
314	91001102200	O-RING	1		1A P22	
315	12635101110	SPRING (RETURN)	1			
318	91002802100	O-RING	1		1B P21	
319	36646865160	SEAT,SPRING	1			
320	36635735140	SPRING (B)	1			
321	36635735130	SPRING (A)	1			
322	91001001800	O-RING	2		S18	
323	36646865150	COVER (FOR SOLENOID)	1			
325	36646865170	ROD,PUSH	1		8	
326	36740765070	SOLENOID ASSY	1			
327	36640735130	PLUG	1		M6	
328	36642065070	WASHER,SEAL	2			
329	90203200600	NUT	1		M6	
330	36640735140	NUT,CAP	1		M6	
331	36640625680	TUBE (SEAL)	1			
332	16623320390	TUBE (SEAL)	1			
500	36740790001	VALVE,REMOTE CONTROL	1			

TM-ZE300 41044507044A FRAME/HOOK-IN(AWL)
PV1040112-01 CONTROL UNIT

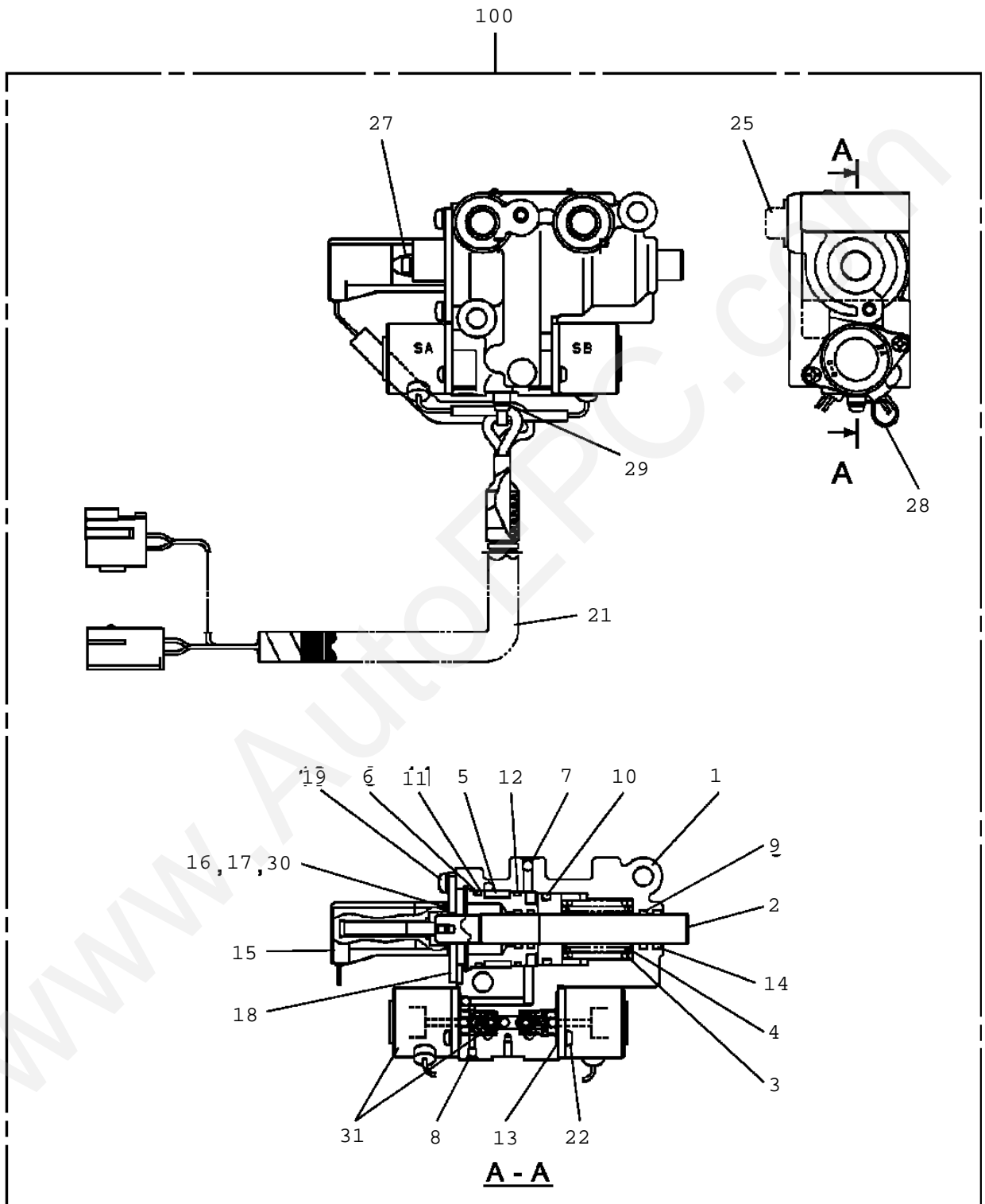


TM-ZE300 41044507044A FRAME/HOOK-IN(AWL)

Pos No.	Parts No	Parts Name	Qty	Unit	Technical Data	Serial No (Start)	Serial :
11	36806245020	PANEL	1				
900	36806571000	CONTROL UNIT	1				

www.AutoEPC.com

TM-ZE300 41044507044A FRAME/HOOK-IN(AWL)
PV1050013-01 CYLINDER,ACCELERATOR



TM-ZE300 41044507044A FRAME/HOOK-IN(AWL)

Pos No.	Parts No	Parts Name	Qty	Unit	Technical Data	Serial No (Sta
1	36062745010	BODY	1			
2	36062825010	ROD ASSY	1			
3	36062745030	SPRING (A)	1			
4	36062745040	SPRING (B)	1			
5	36062745050	COVER (SEAL)	1			
6	80602110380	RING,RITAINING	1		R38	
7	36648375020	BALL,STEEL	9		3/16	
8	36648375030	BALL,STEEL	5		5/32	
9	91001101400	O-RING	2		1A P14	
10	91001102800	O-RING	1		1A P28	
11	91001003200	O-RING	1		1A S32	
12	91001003150	O-RING	1		1A S31.5	
13	91001002200	O-RING	2		S22	
14	91650001400	SCRAPER	2			
15	36062445011	LVDT ASSY (A/WITH CORE,)	1			
16	36644015220	SHIM (T=0.2)	2			
17	36644015230	SHIM (T=0.3)	2			
18	36062745060	FLANGE	1			
19	80172105008	SCREW,MACHINE	2		M5X8	
21	36062635050	TUBE,CORRUGATE	1		10	
22	80172104010	SCREW,MACHINE	5		M4X10	
25	36081315130	PROTECTOR (THREAD)	2			
27	36645405100	BOLT	2		M4X22	
28	36062635030	FASTENER	1			
29	90303070401	WASHER,PLAIN	1		4	
30	36645405110	SHIM (T=1.0)	1			
31	36062745080	VALVE,SOLENOID	1			
100	36062820000	CYLINDER,ACCELERATOR	1			

TM-ZE300 41044507044A FRAME/HOOK-IN(AWL)
PV1070522-01 RADIO CONTROL (RADICON-LESS)

指示番号 KEY NO.	ラジオコントロール (ラジオコンレス) RADIO CONTROL (RADICON-LESS)
1	コントロールユニット CONTROL UNIT
2	ハイセンASSY (コントロールユニット) ELEC.ASSY (CONTROL UNIT)
3	ハイセンASSY (アンテナユニットヨウ プラグ) ELEC.ASSY (PULG FOR ANTENNA UNIT)

TM-ZE300 41044507044A FRAME/HOOK-IN(AWL)

Pos No.	Parts No	Parts Name	Qty	Unit	Technical Data	Ser
1	36806571000	CONTROL UNIT	1			
2	(***** *****)	ELEC.ASSY (CONTROL UNIT)	1			
3	(***** *****)	ELEC.ASSY (PULG FOR ANTENNA UNIT)	1			

www.AutoEPC.com

TM-ZE300 41044507044A FRAME/HOOK-IN(AWL)
 PV1070529-01 RADIO CONTROL (WITHOUT BOOM INTERLOCK)

指示番号 KEY NO.	ラジオコントロール (キノウシヤラジオ コン/フー ムインターロックナシ) RADIO CONTROL (WITHOUT BOOM INTERLOCK)
12	アンテナ ANTENNA
13	スイッチ ボックス SWITCH BOX
14	ハイセンASSY (アンテナ ユニット) ELEC.ASSY (ANTENNA UNIT)
15	ボックス ストローイング BOX,STOWING
11	ハイセンASSY (プラグ : フレーム / インタロック) ELEC.ASSY (PLUG:FRAME/INTERLOCK)
12	ハイセンASSY (プラグ : ホスト / キックカクノウ) ELEC.ASSY (PLUG:POST/BOOM ELEV.STOWING)

TM-ZE300 41044507044A FRAME/HOOK-IN(AWL)

Pos No.	Parts No	Parts Name	Qty	Unit	Technical Dat
2	36806572000	ANTENNA UNIT	1		
3	36806573000	BOX, OPERATION	1		
4	(*****)	ELEC. ASSY (ANTENNA UNIT)	1		
5	36804914000	BOX, STOWING	1		
11	(*****)	ELEC. ASSY (PLUG: FRAME/INTERLOCK)	1		
12	(*****)	ELEC. ASSY (PLUG: POST/BOOM ELEV. STOWING)	1		

www.AutoEPC.com

TM-ZE300 41044507044A FRAME/HOOK-IN(AWL)
PV1070530-02 RADIO CONTROL

指示番号 KEY NO.	ラジオコントロール (キノウシヤラジオ コン) RADIO CONTROL
!2	アンテナ ANTENNA
!3	スイッチ ボックス SWITCH BOX
!4	ハイセンASSY (アンテナ ユニット) ELEC.ASSY (ANTENNA UNIT)
!5	ボックス ストローイング BOX,STOWING

TM-ZE300 41044507044A FRAME/HOOK-IN(AWL)

Pos No.	Parts No	Parts Name	Qty	Unit	Technical Data	Serial No (S
2	36806572000	ANTENNA UNIT	1			
3	36806573000	BOX, OPERATION	1			
4	(***** *****)	ELEC.ASSY (ANTENNA UNIT)	1			
5	36804914000	BOX, STOWING	1			

www.AutoEPC.com

TM-ZE300 41044507044A FRAME/HOOK-IN(AWL)

PV1070550-01 RADIO CONTROL (U-LAYOUT/WITHOUT BOOM INTERLOCK)

指示番号 KEY NO.	ラジオコントロール (キノウシヤラジオ コン:U-ハイレッツ/フ-ムインターロックナシ) RADIO CONTROL (U-LAYOUT/WITHOUT BOOM INTERLOCK)
1	ラジオコントロール RADIO CONTROL
2	プレートASSY,ネ-ム PLATE ASSY,NAME

TM-ZE300 41044507044A FRAME/HOOK-IN(AWL)

Pos No.	Parts No	Parts Name	Qty	Unit	Technical Data
1	(*****)	RADIO CONTROL (WITHOUT BOOM INTERLOCK)	1		
2	(*****)	PLATE ASSY,NAME (SWITCH,BOX)	1		

www.AutoEPC.com

TM-ZE300 41044507044A FRAME/HOOK-IN(AWL)
PV1070551-02 RADIO CONTROL (U-LAYOUT)

指示番号 KEY NO.	ラジオコントロール (キノウシヤラジオ コン:U-ハイレッツ) RADIO CONTROL (U-LAYOUT)
1	ラジオコントロール RADIO CONTROL
2	プレートASSY,ネーム PLATE ASSY,NAME

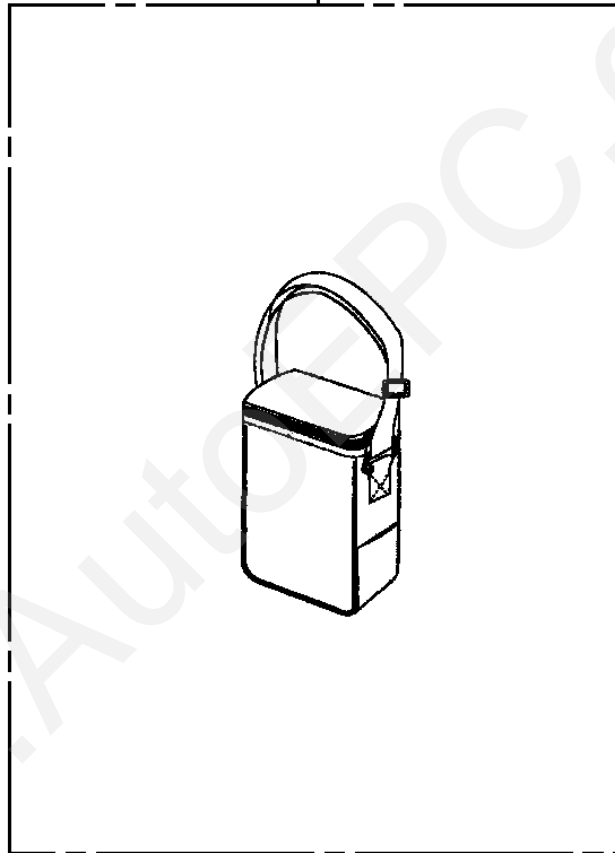
TM-ZE300 41044507044A FRAME/HOOK-IN(AWL)

Pos No.	Parts No	Parts Name	Qty	Unit	Technical Data	Serial N
1	(*****)	RADIO CONTROL	1			
2	(*****)	PLATE ASSY,NAME (SWITCH,BOX)	1			

www.AutoEPC.com

TM-ZE300 41044507044A FRAME/HOOK-IN(AWL)
PV1250013-00 BOX,STOWING

10

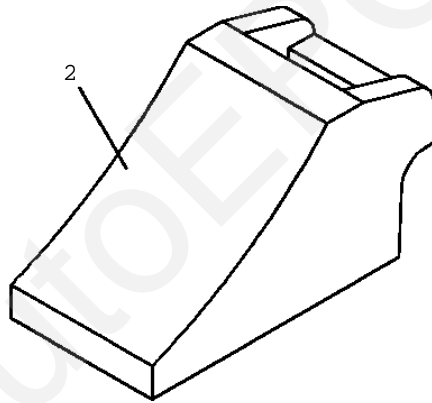


TM-ZE300 41044507044A FRAME/HOOK-IN(AWL)

Pos No.	Parts No	Parts Name	Qty	Unit	Technical Data	Serial No (Start)	Serial N
10	36804914000	BOX,STOWING	1				

www.AutoEPC.com

TM-ZE300 41044507044A FRAME/HOOK-IN(AWL)
PW1050011-00 STOPPER,TIRE

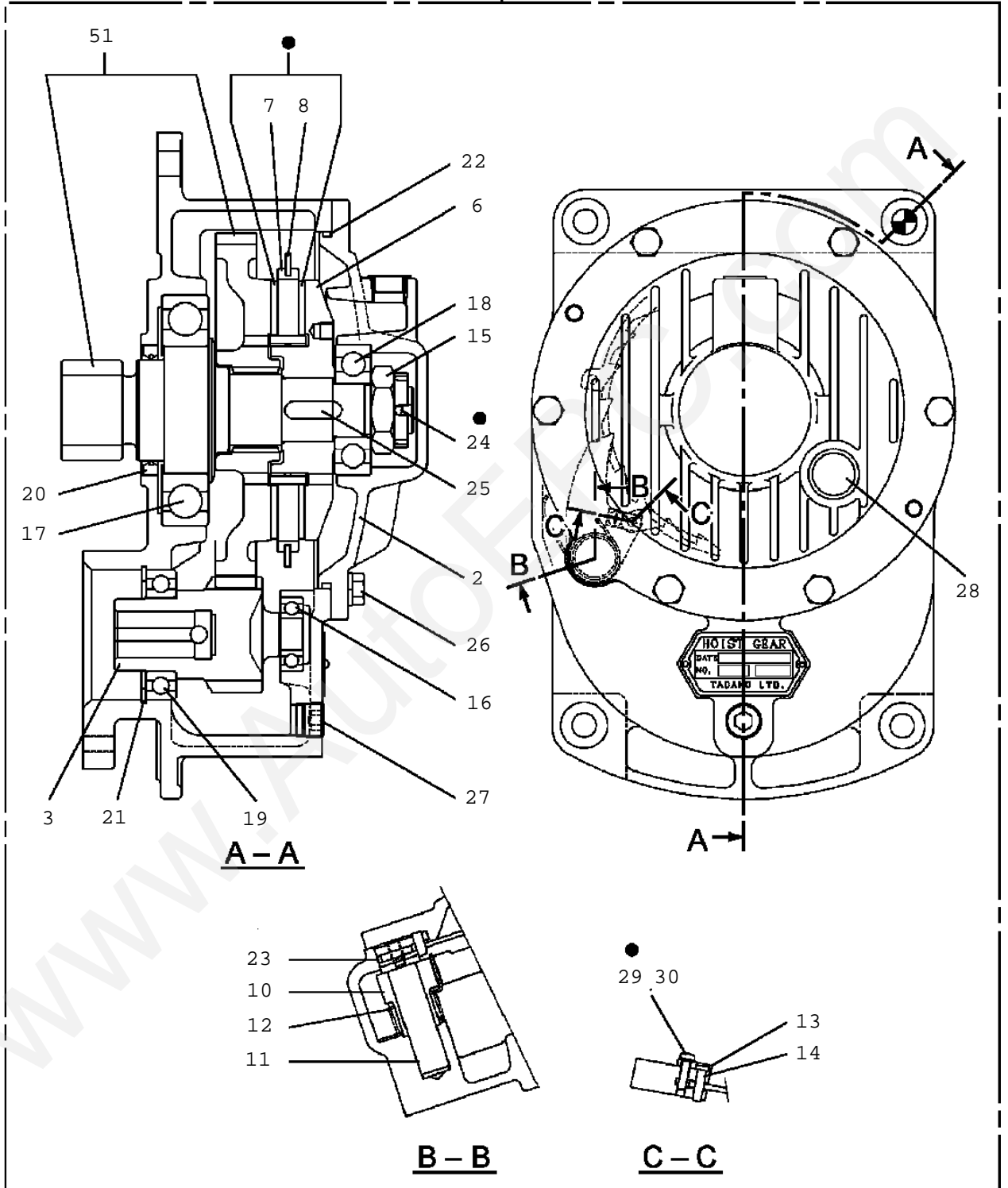


TM-ZE300 41044507044A FRAME/HOOK-IN(AWL)

Pos No.	Parts No	Parts Name	Qty	Unit	Technical Data	Serial No (Start)	Serial :
2	42461050200	STOPPER,TIRE	1				

www.AutoEPC.com

100



- : FACING KIT KEY NO 101 (JAPANESE)
- : FACING KIT KEY NO.102 (ENGLISH)



- Protective seal
- Replacement interval name plate

TM-ZE300 41044507044A FRAME/HOOK-IN(AWL)

Pos No.	Parts No	Parts Name	Qty	Unit	Technical Data	Serial No (Start)
2	36073085020	COVER	1			
3	36073815010	GEAR,SPUR	1			
6	36073085061	BRAKE,DISK	1			
7	36073085072	WHEEL,RATCHET	1			
8	36073085080	RING (C)	1			
10	36073085090	RATCHET	1			
11	36073085100	SHAFT	1			
12	36073085111	SPRING	1			
13	36073085120	CAP	1			
14	36073085130	PIN	1			
15	36073085140	NUT	1			
16	80500006202	BEARING,BALL	1			
17	80500006211	BEARING,BALL	1			
18	80500006305	BEARING,BALL	1			
19	80500006007	BEARING,BALL	1			
20	36073085150	SEAL,OIL	1			
21	80602110620	RING,RITAINING	1		R62	
22	36071195200	O-RING	1			
23	91001101500	O-RING	1		1A P15	
24	80136340040	PIN,SPLIT	1		4X40	
25	36073085160	KEY	2			
26	36073085180	BOLT (WITH SW)	6			
27	36073085200	PLUG	1			
28	36073085170	GAUGE,OIL	1			
29	80172304015	SCREW,MACHINE	1		M4X15	
30	90302040401	WASHER,SPRING	1		4	
51	36073085603	GEAR ASSY	1			
100	36073810000	WINCH ASSY (Y.G.TEC)	1			
101	36070441000	FACING KIT(JAPANESE)	1			
102	36070442000	FACING KIT (ENGLISH)	1			

TM-ZE300 41044507044A FRAME/HOOK-IN(AWL)
PX1940331-00 MOUNT (ACCELERATOR/MECHANICAL GOVERNOR)

指示番号 KEY NO.	マウント (アクセル/メカシキカ ^ホ ナシヤ) MOUNT (ACCELERATOR/MECHANICAL GOVERNOR)
1	オペ . ASSY, アクセル OPE. ASSY, ACCELERATOR
2	ハイセンASSY ELEC. ASSY
3	パイピング ^ホ PIPING

TM-ZE300 41044507044A FRAME/HOOK-IN(AWL)

Pos No.	Parts No	Parts Name	Qty	Unit	Technical Data	Serial No (Start
1	(*****)	OPE.ASSY,ACCELERATOR	1			
2	(*****)	ELEC.ASSY	1			
3	(*****)	PIPING	1			

www.AutoEPC.com

TM-ZE300 41044507044A FRAME/HOOK-IN(AWL)
PX1940348-01 MOUNT (SILENT ECO:TWIN PUMP)

指示番号 KEY NO.	マウント (サイレントエコ:2レンボンプ) MOUNT (SILENT ECO:TWIN PUMP)
2	オペ. ASSY, ソウサバルブ OPE. ASSY, CONT. VALVE
3	ハイセンASSY (バルブ) ELEC. ASSY (VALVE)
4	ハイセンASSY (フレーム) ELEC. ASSY (FRAME)
5	プレートASSY, ネーム (サイレントエコ) PLATE ASSY, NAME (SILENT ECO)
6	プレートASSY, ネーム (ブーム) PLATE ASSY, NAME (BOOM)
7	ランプ LAMP
11	パイピング PIPING
12	バルブ, リモートコントロール VALVE, REMOTE CONTROL

TM-ZE300 41044507044A FRAME/HOOK-IN(AWL)

Pos No.	Parts No	Parts Name	Qty	Unit	Technical Data	Serial N
2	(*****)	OPE.ASSY,CONT.VALVE	1			
3	(*****)	ELEC.ASSY (VALVE)	1			
4	(*****)	ELEC.ASSY (FRAME)	1			
5	(*****)	PLATE ASSY,NAME (SILENT ECO)	2			
6	(*****)	PLATE ASSY,NAME (BOOM)	1			
7	(*****)	LAMP (TWIN PUMP INDICATOR)	2			
11	(*****)	PIPING (VALVE)	1			
12	36740930000	VALVE,REMOTE CONTROL	1			

www.AutoEPC.com

TM-ZE300 41044507044A FRAME/HOOK-IN(AWL)
 PY1001309-06 OPTIONS (TM COMMON)

指示番号 KEY NO.	トクベツ ショウ (TMキョウツウ) OPTIONS (TM COMMON)
1	フック (1ホ ^ン カ ^ク) HOOK (1-PART LINE)
2	フック (ロツキンク ^ク) HOOK (LOCKING)
3	ガ ^イ ト ^ク , ロ ^ー プ ^ク GUIDE, ROPE
4	プ ^レ ー ^ト PLATE
5	ストツパ ^ク , タイヤ ^ク STOPPER, TIRE
7	ハ ^ー ワ ^ー サ ^プ ラ ^イ (サ ^ー ビ ^ス ス ^ポ ー ^ト) POWER SUPPLY (SERVICE PORT)
8	ハ ^ー ワ ^ー サ ^プ ラ ^イ (100Vテ ^ン ケ ^ー トリタ ^シ /1500W) POWER SUPPLY (100V POWER SOURCE/1500W)
10	ランブ ^ク (ブ ^ー ムワ ^ー キンク ^ク) LAMP (BOOM WORKING)
12	ランブ ^ク (60Wホ ^ス トワ ^ー キンク ^ク) LAMP (60W POST WORKING)
14	ランブ ^ク (タカサセイゲ ^ン ランブ ^ク) LAMP (HEIGHT LIMIT/LAMP)
16	アラーム システム (アウトリカ ^ク カクノウワスレケイホウ) ALARM SYSTEM (OUTRIGGER STOWING FAILURE)
17	アラーム (アウトリカ ^ク カクノウワスレツイカフ ^ク ヒン:キフクカクノウワスレソウチツキ) ALARM (OUTRIGGER STOWING FAILURE ADDITIONAL PARTS :FOR ELEV. STOWING FAILURE)
18	アラーム システム (キフクカクノウワスレケイホウ:ブ ^ー ムインターロックナシ) ALARM SYSTEM (BOOM STOWING FAILURE:WITHOUT BOOM INTERLOCK)
19	アラーム システム (キフクカクノウワスレケイホウ:ブ ^ー ムインターロックツキ) ALARM SYSTEM (BOOM STOWING FAILURE:WITH BOOM INTERLOCK)
20	アラーム (キフク, アウトリカ ^ク カクノウワスレケイホウ:ブ ^ー ムインターロックナシ) ALARM (BOOM, OUTRIGGER STOWING FAILURE:WITHOUT BOOM INTERLOCK)
21	アラーム システム (キフク, アウトリカ ^ク カクノウワスレケイホウ:ブ ^ー ムインターロックツキ) ALARM SYSTEM (BOOM, OUTRIGGER STOWING FAILURE :WITH BOOM INTERLOCK)

TM-ZE300 41044507044A FRAME/HOOK-IN(AWL)
 PY1001309-06 OPTIONS (TM COMMON)

122	アラーム (ブームインターロック+キフクカクノウスレケウホウ) ALARM (BOOM INTERLOCK + BOOM STOWING FAILURE)
123	アラーム (ブームインターロック+キフク,アウトリガカクノウスレケイホウ) ALARM (BOOM INTERLOCK + BOOM,OUTRIGGER STOWING FAILURE)
124	アラームASSY (オイル) ALARM ASSY (OIL)
126	インターロック INTERLOCK
127	チャージヤ,バッテリー CHARGER,BATTERY
128	ラジオコントロール (キノウシヤラジコン:ブームインターロックナシ) RADIO CONTROL (WITHOUT BOOM INTERLOCK)
129	ラジオコントロール (キノウシヤラジコン:ブームインターロックツキ) RADIO CONTROL (WITH BOOM INTERLOCK)
130	ラジオコントロール (キノウシヤ:U-ハイレッツ/ブームインターロックナシ) RADIO CONTROL (U-LAYOUT/WITHOUT BOOM INTERLOCK)
131	ラジオコントロール (キノウシヤラジコン:U-ハイレッツ/ブームインターロックナシ) RADIO CONTROL (U-LAYOUT/WITHOUT BOOM INTERLOCK)
132	サポート SUPPORT
135	ハイセンASSY ELEC.ASSY
137	ネームプレートASSY (サトウユサ-モラベル) NAME PLATE ASSY (OIL THERMO LABEL)
138	ネームプレートASSY (タカサセイゲンランプテントウシヨウケンヘンコウ) NAME PLATE ASSY
139	リングASSY,スリッパ RING ASSY,SLIP
140	アクセサリASSY ACCESSORIES ASSY
141	リンクASSY LINK ASSY
142	ジョイントASSY JOINT ASSY
143	ハイセンASSY (ステマキテイシソウチ) ELEC.ASSY (OVER-UNWINDING CUTOUT DEVICE)

TM-ZE300 41044507044A FRAME/HOOK-IN(AWL)

Pos No.	Parts No	Parts Name	Qty	Unit
1	(*****)	HOOK (1-PART LINE)	1	
2	36095150000	HOOK (LOCKING)	1	
3	(*****)	GUIDE,ROPE (RETAINING WIRE ROPE)	1	
4	(*****)	PLATE (355X355,H=80)	1	
5	42461050200	STOPPER,TIRE	4	
7	(*****)	POWER SUPPLY (SERVICE PORT)	1	
8	(*****)	POWER SUPPLY (100V POWER SOURCE/1500W)	1	
10	(*****)	LAMP ASSY (LED19W BOOM WORKING: W/O SAFETY DEVICES)	1	
	(*****)	LAMP (45W BOOM WORKING:NAVI & SAFETY DEVICES)	1	
	(*****)	LAMP (45W BOOM WORKING)	1	
	31503070000	LAMP ASSY (LED19W BOOM WORKING)	1	
12	(*****)	LAMP (60W POST WORKING)	1	
	(*****)	LAMP (60W POST WORKING:NAVI & SAFETY DEVICES)	1	
14	(*****)	LAMP (HEIGHT LIMIT/ OVERLOADING WARNING)	1	
	(*****)	LAMP ASSY(HEIGHT LIMIT/ OVERLOADING WARNING:JR TOUKAI)	1	
16	(*****)	ALARM SYSTEM (OUTRIGGER STOWING FAILURE)	1	
17	(*****)	ALARM SYSTEM (O/R STOWING FAILURE ADDITONAL PARTS)	1	
18	(*****)	ALARM SYSTEM (BOOM STOWING FAILURE: W/OBOOM INTERLOCK)	1	
19	(*****)	ALARM SYSTEM (BOOM STOWING FAILURE)	1	
20	(*****)	ALARM SYSTEM (BOOM.O/R STOWING FAILURE:W/O INTERLOCK)	1	
21	(*****)	ALARM SYSTEM (BOOM,O/R STOWING FAILURE)	1	
22	(*****)	ALARM SYSTEM (BOOM INTERLOCK+BOOM STOWING FAILURE)	1	
23	(*****)	ALARM SYSTEM (BOOM INTERLOCK+BOOM.O/R STOWING FAILURE)	1	
24	(*****)	ALARM ASSY (OIL)	1	
26	(*****)	INTERLOCK (BOOM/WITH IMMOBILIZER)	1	
27	31501220100	CHARGER,BATTERY	1	
28	(*****)	RADIO CONTROL (WITHOUT BOOM INTERLOCK)	1	
29	(*****)	RADIO CONTROL	1	
30	(*****)	RADIO CONTROL (U-LAYOUT/WITHOUT BOOM INTERLOCK)	1	
31	(*****)	RADIO CONTROL (U-LAYOUT)	1	
32	(*****)	SUPPORT	1	
	(*****)	SUPPORT	1	
35	(*****)	ELEC.ASSY (WARKING LAMP:2-LIGHT INSTALLATION)	1	
37	(*****)	NAME PLATE ASSY (OIL THERMO LAVEL)	1	
38	(*****)	NAME PLATE ASSY	1	
39	(*****)	RING ASSY,SLIP (CJ NUMBER OF THE ELECTRODES KIT)	1	
40	(*****)	ACCESSORIES ASSY (RADIO CONTROL SW)	1	
41	31503110000	LINK ASSY(PREVENTION OF WIRE LOSER/ZE3047H,305H)	1	
42	(*****)	JOINT ASSY	1	
43	(*****)	ELEC.ASSY (OVER-UNWINDING CUTOUT DEVICE/HR)	1	

TM-ZE300 41044507044A FRAME/HOOK-IN(AWL)
PY1130031-00 INTERLOCK (JACK)

指示番号 KEY NO.	インターロック (シ ャツキ) INTERLOCK (JACK)
1	パイピング , アウトリガ PIPING, OUTRIGGER
2	ハイセンASSY ELEC. ASSY
6	プレートASSY, ネーム PLATE ASSY, NAME
7	カバー (アウトリガ ハーネスホコ) COVER (O/R HARNESS PROTECT)

TM-ZE300 41044507044A FRAME/HOOK-IN(AWL)

Pos No.	Parts No	Parts Name	Qty	Unit	Technical Data	Serial No
1	(*****)	PIPING,OUTRIGGER	1			
2	(*****)	ELEC.ASSY (JACK INTERLOCK)	1			
6	(*****)	PLATE ASSY,NAME (INTERLOCK)	1			
7	(*****)	COVER (O/R HARNESS PROTECT)	1			

www.AutoEPC.com

TM-ZE300 41044507044A FRAME/HOOK-IN(AWL)
PY1130034-01 INTERLOCK (BOOM/WITH IMMOBILIZER)

指示番号 KEY NO.	インターロック (フーム/トウナンホウシソウチツキ) INTERLOCK (BOOM/WITH IMMOBILIZER)
1	ハイセンASSY (フック : フレーム / インターロック) ELEC. ASSY (PLUG: FRAME/INTERLOCK)
2	ハイセンASSY (フック : ホスト / キックカクノウ) ELEC. ASSY (PLUG: POST/BOOM ELEV. STOWING)
3	プレートASSY, ネーム PLATE ASSY, NAME

TM-ZE300 41044507044A FRAME/HOOK-IN(AWL)

Pos No.	Parts No	Parts Name	Qty	Unit	Technical Dat
1	(*****)	ELEC.ASSY (PLUG:FRAME/INTERLOCK)	1		
2	(*****)	ELEC.ASSY (PLUG:POST/BOOM ELEV.STOWING)	1		
3	(*****)	PLATE ASSY,NAME (BOOM INTERLOCK)	1		

www.AutoEPC.com

TM-ZE300 41044507044A FRAME/HOOK-IN(AWL)

PY1560057-02 ALARM SYSTEM (BOOM INTERLOCK+BOOM STOWING FAIL

指示番号 KEY NO.	アラーム システム (ブームインターロック+キフクカクノウスレ) ALARM SYSTEM (BOOM INTERLOCK+BOOM STOWING FAILURE)
1	ハイセンASSY (プラグ : フレーム/インタロック) ELEC. ASSY (PLUG: FRAME/INTERLOCK)
3	ハイセンASSY (ブーム) ELEC. ASSY (BOOM)
4	ハイセンASSY (シャリヨウブ) ELEC. ASSY (CARRIER)
8	プレートASSY, ネーム (ブームインターロック) PLATE ASSY, NAME (BOOM INTERLOCK)
9	プレートASSY, ネーム (ブームカクノウスレ) PLATE ASSY, NAME (BOOM STOWING FAILURE)

TM-ZE300 41044507044A FRAME/HOOK-IN(AWL)

Pos No.	Parts No	Parts Name	Qty	Unit	Technica
1	(*****)	ELEC.ASSY (PLUG:FRAME/INTERLOCK)	1		
3	(*****)	ELEC.ASSY (BOOM)	1		
4	(*****)	ELEC.ASSY (CARRIER/ALARM)	1		
8	(*****)	PLATE ASSY,NAME (BOOM INTERLOCK)	1		
9	(*****)	PLATE ASSY,NAME (BOOM,ELEV. STOWING FAILURE)	1		

www.AutoEPC.com

TM-ZE300 41044507044A FRAME/HOOK-IN(AWL)

PY1560058-02 ALARM SYSTEM (BOOM.O/R STOWING FAILURE:W/O INT

指示番号 KEY NO.	アラーム システム (キックアウトリカクノウワスレケイホウ:フームインターロックナシ) ALARM SYSTEM (BOOM.OUTRIGGER STOWING FAILURE:WITHOUT BOOM INTERLOCK)
1	ハイセンASSY (アウトリカフ) ELEC.ASSY (OUTRIGGER)
2	ハイセンASSY (フームフ) ELEC.ASSY (BOOM)
3	ハイセンASSY (シャリヨウフ) ELEC.ASSY (CARRIER)
5	プレートASSY,ネーム PLATE ASSY,NAME

TM-ZE300 41044507044A FRAME/HOOK-IN(AWL)

Pos No.	Parts No	Parts Name	Qty	Unit	Technical Data	Serial No (Star
1	(*****)	ELEC.ASSY (OUTRIGGER)	1			
2	(*****)	ELEC.ASSY (BOOM)	1			
3	(*****)	ELEC.ASSY (CARRIER)	1			
5	(*****)	PLATE ASSY,NAME	1			

www.AutoEPC.com

TM-ZE300 41044507044A FRAME/HOOK-IN(AWL)

PY1560059-02 ALARM SYSTEM (BOOM STOWING FAILURE: W/OBOOM IN

指示番号 KEY NO.	アラーム システム (キフクカクノウウスレケイホウ:フームインターロックナシ) ALARM SYSTEM (BOOM STOWING FAILURE:WITHOUT BOOM INTERLOCK)
√2	ハイセンASSY (フームフ) ELEC.ASSY (BOOM)
√3	ハイセンASSY (シヤリヨウフ) ELEC.ASSY (CARRIER)
√5	プレートASSY,ネーム PLATE ASSY,NAME

TM-ZE300 41044507044A FRAME/HOOK-IN(AWL)

Pos No.	Parts No	Parts Name	Qty	Unit	Technica
2	(*****)	ELEC.ASSY (BOOM)	1		
3	(*****)	ELEC.ASSY (CARRIER/ALARM)	1		
5	(*****)	PLATE ASSY,NAME (BOOM,ELEV. STOWING FAILURE)	1		

www.AutoEPC.com

TM-ZE300 41044507044A FRAME/HOOK-IN(AWL)
PY1560061-03 ALARM SYSTEM (BOOM STOWING FAILURE)

指示番号 KEY NO.	アラーム システム (キフクカクノウワスレケイホウ) ALARM SYSTEM (BOOM STOWING FAILURE)
2	ハイセンASSY (キフク/フレームフ) ELEC.ASSY (BOOM ELEVATING/FRAME)
3	ハイセンASSY (シヤリヨウフ) ELEC.ASSY (CARRIER)
5	プレートASSY, ネーム (フーム, キフクカクノウワスレケイホウ) PLATE ASSY, NAME (BOOM, ELEV. STOWING FAILURE)
6	ハイセンASSY (フレームフ ハイセンフンキツイカ) ELEC.ASSY (FRAME BRANCH WIRING ADDED)

TM-ZE300 41044507044A FRAME/HOOK-IN(AWL)

Pos No.	Parts No	Parts Name	Qty	Unit	Technica
2	(*****)	ELEC.ASSY (BOOM ELEVATING/FRAME)	1		
3	(*****)	ELEC.ASSY (CARRIER/ALARM)	1		
5	(*****)	PLATE ASSY,NAME (BOOM,ELEV. STOWING FAILURE)	1		
6	(*****)	ELEC.ASSY (FRAME BRANCH WIRING ADDED)	1		

www.AutoEPC.com

TM-ZE300 41044507044A FRAME/HOOK-IN(AWL)
 PY1560062-02 ALARM SYSTEM (BOOM INTERLOCK+BOOM.O/R STOWING

指示番号 KEY NO.	アラーム システム (ブームインターロック+キックアウトリカクノウスレイホウ) ALARM SYSTEM (BOOM INTERLOCK+BOOM.OUTRIGGER STOWING FAILURE)
1	ハイセンASSY (プラグ : フレーム/インターロック) ELEC. ASSY (PLUG:FRAME/INTERLOCK)
2	ハイセンASSY (アウトリカ プ) ELEC. ASSY (OUTRIGGER)
3	ハイセンASSY (ブーム) ELEC. ASSY (BOOM)
4	ハイセンASSY (シャリヨウブ) ELEC. ASSY (CARRIER)
8	プレートASSY,ネーム (ブームインターロック) PLATE ASSY,NAME (BOOM INTERLOCK)
9	プレートASSY,ネーム (ブーム アウトリカクノウスレ) PLATE ASSY,NAME (BOOM,O/R STOWING FAILURE)

TM-ZE300 41044507044A FRAME/HOOK-IN(AWL)

Pos No.	Parts No	Parts Name	Qty	Unit	Technical Data	Seri
1	(*****)	ELEC.ASSY (PLUG:FRAME/INTERLOCK)	1			
2	(*****)	ELEC.ASSY (OUTRIGGER)	1			
3	(*****)	ELEC.ASSY (BOOM)	1			
4	(*****)	ELEC.ASSY (CARRIER)	1			
8	(*****)	PLATE ASSY,NAME (BOOM INTERLOCK)	1			
9	(*****)	PLATE ASSY,NAME	1			

www.AutoEPC.com

TM-ZE300 41044507044A FRAME/HOOK-IN(AWL)
PY1560082-02 ALARM SYSTEM (OUTRIGGER STOWING FAILURE)

指示番号 KEY NO.	アラーム システム (アウトリガ* カクノウワスレケイホウ) ALARM SYSTEM (OUTRIGGER STOWING FAILURE)
1	ハイセンASSY (アウトリガ* フ*) ELEC.ASSY (OUTRIGGER)
4	ハイセンASSY (シャリヨウフ*) ELEC.ASSY (CARRIER)
6	フ* レートASSY, ネーム PLATE ASSY, NAME

TM-ZE300 41044507044A FRAME/HOOK-IN(AWL)

Pos No.	Parts No	Parts Name	Qty	Unit	Technical Data	Serial No (Star
1	(*****)	ELEC.ASSY (OUTRIGGER)	1			
4	(*****)	ELEC.ASSY (CARRIER)	1			
6	(*****)	PLATE ASSY,NAME	1			

www.AutoEPC.com

TM-ZE300 41044507044A FRAME/HOOK-IN(AWL)
PY1560084-01 ALARM SYSTEM (BOOM,O/R STOWING FAILURE)

指示番号 KEY NO.	アラーム システム (キフク,アウトリガ` カクノウワスレケイホウ) ALARM SYSTEM (BOOM,OUTRIGGER STOWING FAILURE)
1	ハイセンASSY (アウトリガ` フ`) ELEC. ASSY (OUTRIGGER)
2	ハイセンASSY (キフク/フレームフ`) ELEC. ASSY (BOOM ELEVATING/FRAME)
4	ハイセンASSY (シャリヨウフ`) ELEC. ASSY (CARRIER)
16	フ` レートASSY,ネーム PLATE ASSY,NAME

TM-ZE300 41044507044A FRAME/HOOK-IN(AWL)

Pos No.	Parts No	Parts Name	Qty	Unit	Technical Data	Seri
1	(*****)	ELEC.ASSY (OUTRIGGER)	1			
2	(*****)	ELEC.ASSY (BOOM ELEVATING/FRAME)	1			
4	(*****)	ELEC.ASSY (CARRIER)	1			
6	(*****)	PLATE ASSY,NAME	1			

www.AutoEPC.com

TM-ZE300 41044507044A FRAME/HOOK-IN(AWL)
PY1560085-00 ALARM SYSTEM (O/R STOWING FAILURE ADDITONAL PA

指示番号 KEY NO.	アラーム システム (O/Rカクノウスレツイカフ ヒン:キフクカクノウスレソウチツキヨウ) ALARM SYSTEM (O/R STOWING FAILURE ADDITONAL PARTS :FOR ELEV.STOWING FAILURE)
1	ハイセンASSY (アウトリカ フ) ELEC.ASSY (OUTRIGGER)
4	ハイセンASSY (シャリヨウフ) ELEC.ASSY (CARRIER)
6	プレートASSY,ネーム PLATE ASSY,NAME

TM-ZE300 41044507044A FRAME/HOOK-IN(AWL)

Pos No.	Parts No	Parts Name	Qty	Unit	Technical Data	Serial No (Star
1	(*****)	ELEC.ASSY (OUTRIGGER)	1			
4	(*****)	ELEC.ASSY (CARRIER)	1			
6	(*****)	PLATE ASSY,NAME	1			

www.AutoEPC.com

TM-ZE300 41044507044A FRAME/HOOK-IN(AWL)
PY2000193-00 OPTIONS (ZE300SL)

トクベツ ショウ (ZE300SL)
OPTIONS (ZE300SL)

【組立名称一覧】より選択してください。

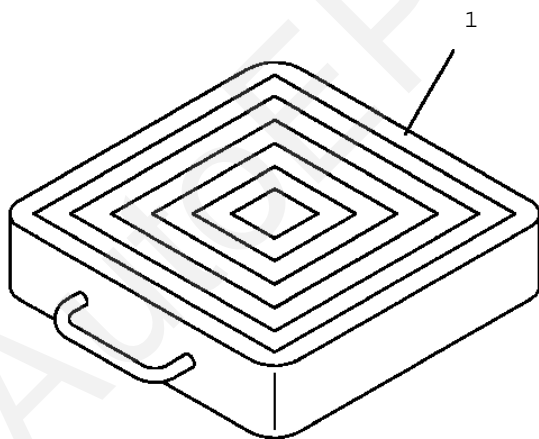
SEE THE CORRESPONDING "ASSEMBLY NAME" LIST.

TM-ZE300 41044507044A FRAME/HOOK-IN(AWL)

Pos No.	Parts No	Parts Name	Qty	Unit	T
1	(***** *****)	OUTRIGGER,REAR(ROTARY/POWER PACKAGE:WITH LOCK ASSY)	1		
	(***** *****)	OUTRIGGER,REAR (ROTARY/SOLENOID VALVE)	1		
2	(***** *****)	WINCH (SELF,3TX1:SR+REAR OUTRIGGER)	1		
	(***** *****)	WINCH (SELF,3TX1:SR)	1		
3	(***** *****)	WINCH (SELF,3TX1:FR+REAR OUTRIGGER)	1		
	(***** *****)	WINCH (SELF,3TX1:FR/WINCHLESS)	1		
	(***** *****)	WINCH (SELF,3TX1:FR)	1		
4	(***** *****)	HOOK (SELF, 3TONX2-PART LINE)	1		
5	(***** *****)	INTERLOCK (JACK)	1		
6	(***** *****)	DETECTOR,DISORDERLY WIND	1		
7	(***** *****)	MOUNT (ACCELERATOR/MECHANICAL GOVERNOR)	1		
12	(***** *****)	MOUNT (SILENT ECO:TWIN PUMP)	1		
13	(***** *****)	METER,LOAD (BOTH SIDE)	1		
14	(***** *****)	ELEC.ASSY (EMERGENCY SWITCH/BOTH SIDE)	1		
16	(***** *****)	PARTS ASSY,AWL (6 SECT. WITH BOOM INTERLOCK)	1		
	(***** *****)	PARTS ASSY,AWL (5 SECT. WITHOUT BOOM INTERLOCK)	1		
	(***** *****)	PARTS ASSY,AWL (3,4 SECT. WITHOUT BOOM INTERLOCK)	1		
	(***** *****)	PARTS ASSY,AWL (5 SECT. WITH BOOM INTERLOCK)	1		
	(***** *****)	PARTS ASSY,AWL (3,4 SECT. WITH BOOM INTERLOCK)	1		
	(***** *****)	PARTS ASSY,AWL (6 SECT. WITHOUT BOOM INTERLOCK)	1		

www.AutoEPC.com

TM-ZE300 41044507044A FRAME/HOOK-IN(AWL)
PY2340011-00 PLATE (355X355,H=80)



TM-ZE300 41044507044A FRAME/HOOK-IN(AWL)

Pos No.	Parts No	Parts Name	Qty	Unit	Technical Data	Serial No (Start)	Serial No
1	42474201000	BLOCK	1		355X355,H=80		

www.AutoEPC.com

TM-ZE300 41044507044A FRAME/HOOK-IN(AWL)

Pos No.	Parts No	Parts Name	Qty	Unit	Technical Data	Serial No (S
1	31362271510	SWITCH ASSY (PLATING:NACC)	1			
2	31460211100	HARNESS	1			
3	82197518114	CAP (MATSUSHITA/BLACK)	1			
	82197518119	CAP (PLUS ONE MFG./BLACK)	1			
4	91810130240	FASTENER	11			
11	31460212100	PLATE,NAME	1			
12	31460212200	PLATE,CAUTION	1			

www.AutoEPC.com

TM-ZE300 41044507044A FRAME/HOOK-IN(AWL)
PY5170005-00 ALARM ASSY (OIL)

指示番号 KEY NO.	アラームASSY (サトウユオンケイホウ) ALARM ASSY (OIL)
1	ハイカンASSY PIPING ASSY
2	ハイセンASSY ELEC. ASSY
3	ランプ ASSY LAMP ASSY
5	ネームプレートASSY NAME PLATE ASSY

TM-ZE300 41044507044A FRAME/HOOK-IN(AWL)

Pos No.	Parts No	Parts Name	Qty	Unit	Technical Data	Serial No (Star
1	(*****)	PIPING ASSY	1			
2	(*****)	ELEC.ASSY	1			
3	(*****)	LAMP ASSY (ALARM/RED)	2			
5	(*****)	NAME PLATE ASSY	1			

www.AutoEPC.com

TM-ZE300 41044507044A FRAME/HOOK-IN(AWL)
PZ0000000-00 DETECTOR ASSY,LENGTH (BOOM)

販売部品 検討中につき、イラストはありません。

Parts for sale : Under consideration now.
Therefore not illustrated.

TM-ZE300 41044507044A FRAME/HOOK-IN(AWL)

Pos No.	Parts No	Parts Name	Qty	Unit	Technical Data	Serial No (
100	36132380002	DETECTOR ASSY,LENGTH (BOOM)	1			

www.AutoEPC.com